

# **JohnBean®**

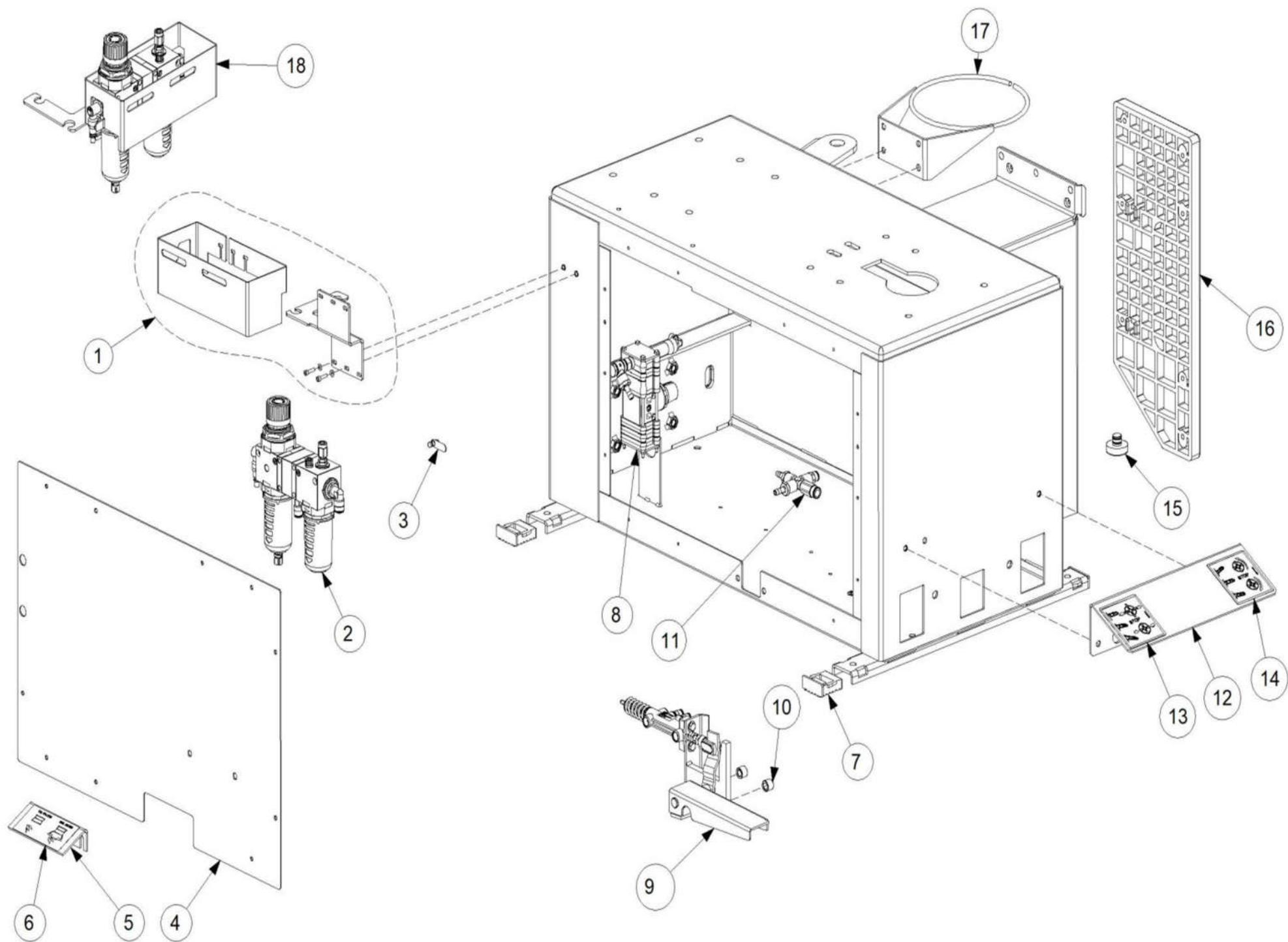
## **T2545T**

**EEWH584CU2  
Single Speed  
Swing Arm  
Tire Changer**

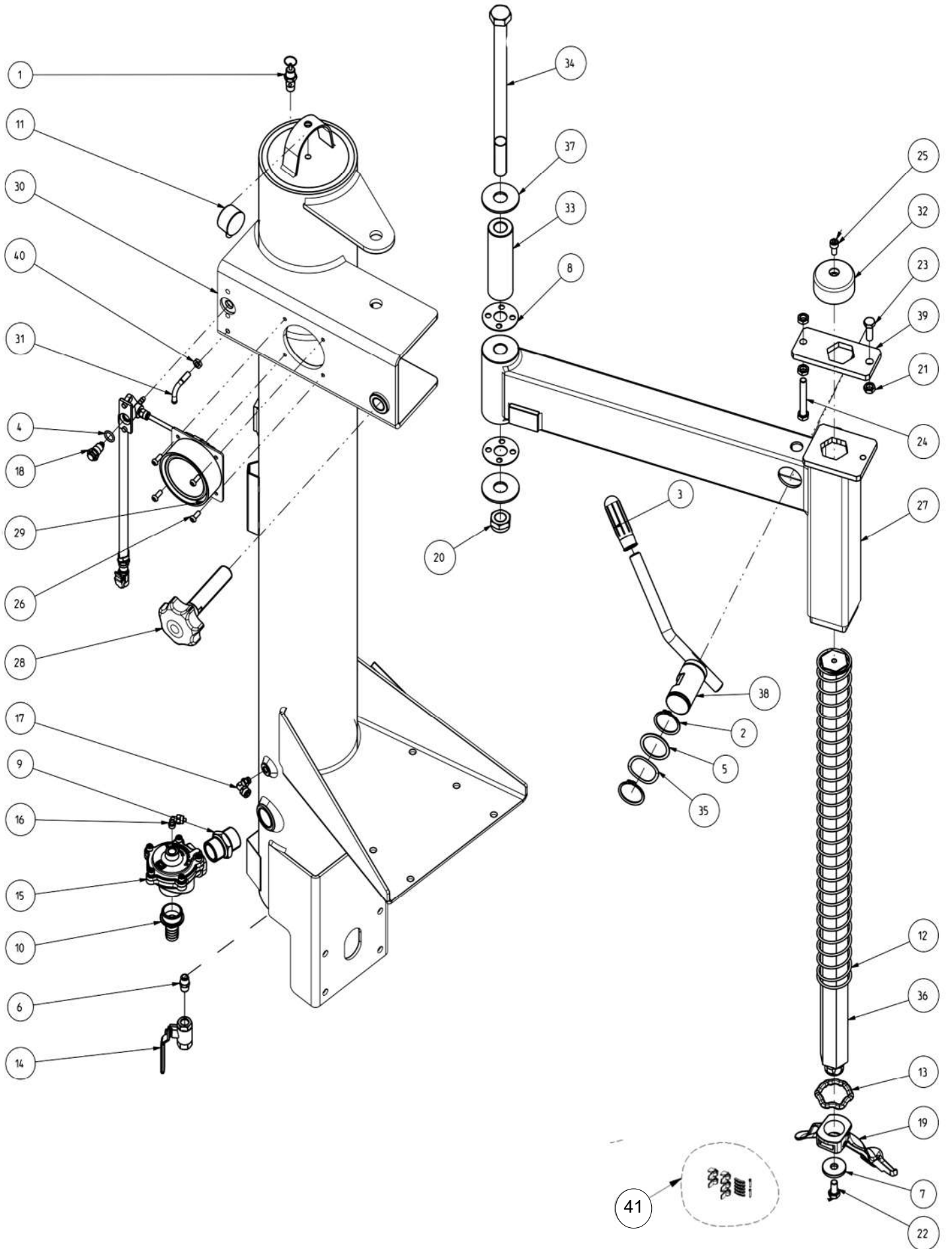


**Parts Manual**

ZEEWH590AU9 CSA	OPS. MANUAL JBC T2545T CSA
EAS2239G95A	SUPPORT FOR LUBRICANT BOTTLE
EAL0467G01A	LABEL. FOOT PEDAL ROTATION
EAL0462G96A	LABEL. MOUNTING HELPER VALVE
EAL0462G95A	BEAD BREAKER FOOT PEDAL LABEL
EAL0462G94A	LABEL. FOOT PEDAL CLAMP
EAL0462G93A	T2545T PRODUCT LABEL
EAL0443G70A	PEDAL CLAMPING LABEL
EAL0443G69A	CLAMPING RANGE LABEL
EAL0443G68A	TIRE DEFLATION LABEL
EAL0443G66A	LABEL. ENTRAPMENT WARNING
EAL0425G03A	cETLus DATA PLATE C22.2 H 68 / UL 201
EAL0415J38A	DECAL JOHN BEAN TM CHROME 23 x 188
EAL0352J21A	ADD OIL DECAL
EAL0383G01A	ROTATION DIRECTION LABEL
EAL0408G24A	OIL STICKER
EAL0383G31A	LABEL , DANGER
EAL0383G02A	SQUASHING DANGER LABEL

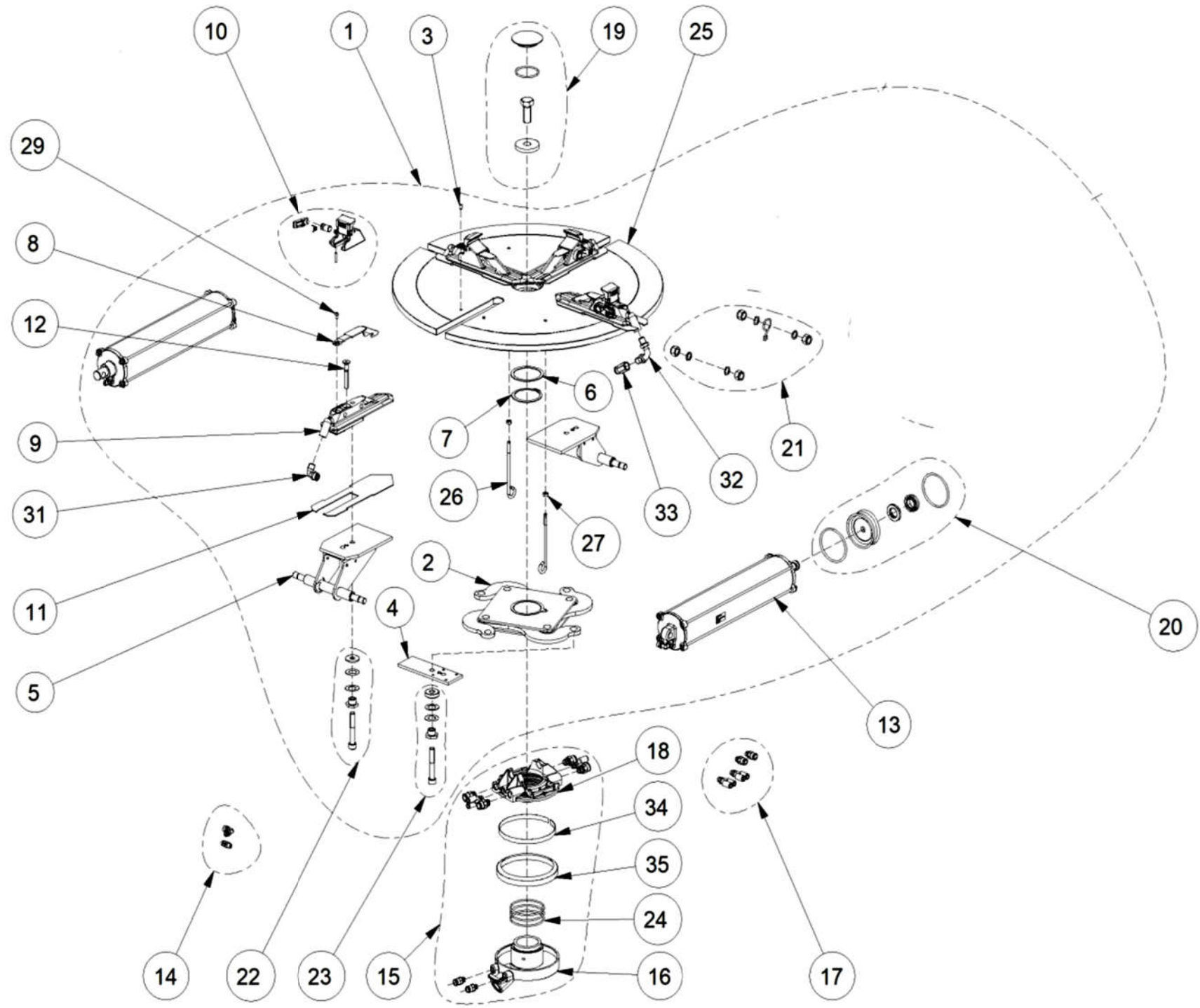


REF	QTY	PART NUMBER	DESCRIPTION
1	1	EAK0341G33A	KIT PROTECTION FILTER
2	1	EAA0370G46A	FILTER REDUC. GROUP +LUBRIC.3/8
3	1	EAK0279G95A	GROUND PLATE KIT
4	1	EAS2169G74A	SIDE PANEL
N/S	10	1-14424A	Side panel mounting screws Torx M4.2x19mm
5	1	EAS2115G83A	PROTECTOR,PEDAL
N/S	2	1-32501A	SCREW, 8x16
N/S	2	1-17841	WASHER
N/S	2	1-10041	WASHER
6	1	EAL0413G34A	STICKER- INFLATOR
7	1	EAC0097G52A	FOOT-SQUARE
8	1	EAA0481G57A	VALVE, AIR CONTROL
9	2	EAM0048G21A	SPACER D9X15 L12 MM
10	1	EAA0384G14A	GROUP, BEAD INFLATING PEDAL
11	1	EAA0481G67A	FITTINGS GROUP
12	1	EAS2169G75A	PEDAL PROTECTION
13	1	EAL0462G94A	LABEL,FOOT PEDAL CLAMP
14	1	EAL0467G01A	LABEL,FOOT PEDAL ROTATION
15	1	EAC0078G03A	CIRCULAR RUBBER FOOT
16	1	EAC0099G22A	PAD- SUPPORT, BEADBREAKER
N/S	7	1-16409A	SCREW M6x20
17	1	EAA0349G76A	RING- BOX, GREASE
18	1	EAA0489G32A	ASSY LUBRICATOR FILTER NA



REF	QTY	PART NUMBER	DESCRIPTION
1	1	1-31381A	VALVE ASME SAFETY 1/4 BSPT
2	2	1-5177	Circlip 40x1,75 DIN 471
3	1	8-13133A	GRIP HANDLE
4	1	8-10414A	SEAL-OR d.14
5	1	EAM0070G15A	WASHER-MANOMETER,FITTING
6	1	1-19479A	FITTING - 1/4 WEDGE SHAPED
7	1	EAM0032G02A	WASHER TOOL BLOCKAGE
8	2	EAM0067G29A	WASHER ADJUSTMENT
9	1	1-16579A	CONIC 1" NIPPLE
10	1	EAM0071G99A	1" HOSE FITTING
11	1	8-06120A	MANOMETER D.40
12	1	EAS2153G47A	SPRING, RECALL-TOWER VERTICAL
13	1	EAC0094G02A	RING, SHOCK-ABSORBER
14	1	1-27181A	1/4 BALL VALVE ASME 600WOG
15	1	1-29581A	1" VALVE, AIR-CONTROLLED
16	1	1-17179A	FITTING 90deg 4X6 1/4"
17	1	1-18779A	FITTING - L 6x8 1/8"
18	1	EAA0328G57A	BLEEDER VALVE
19	1	EAA0329G95A	MOUNTING DEMOUNTING TOOL
20	1	1-10733	M20 NUT, SELF LOCK

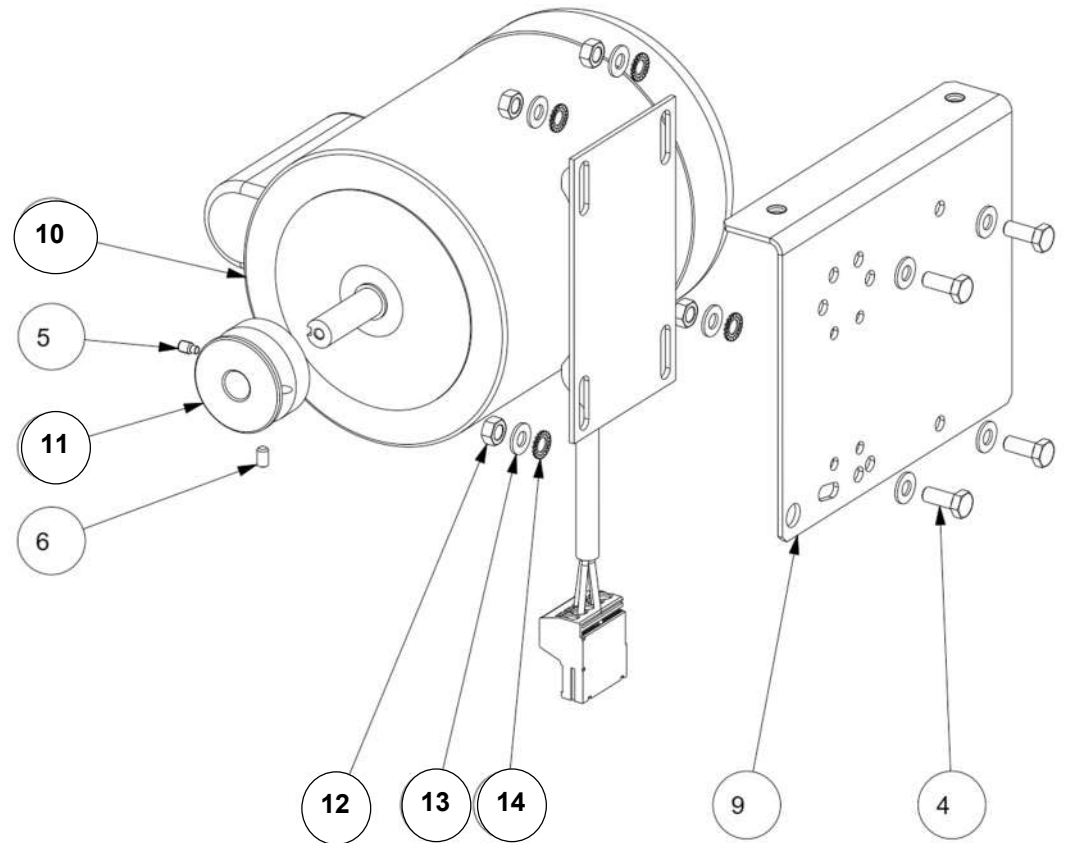
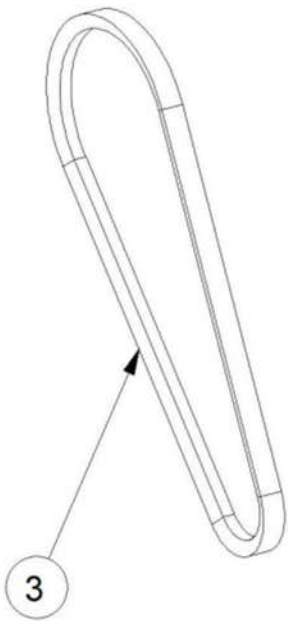
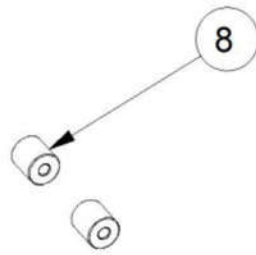
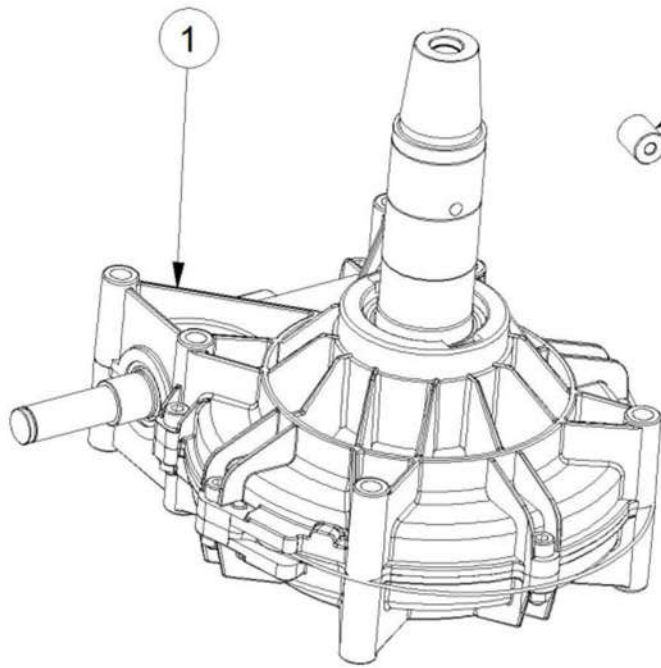
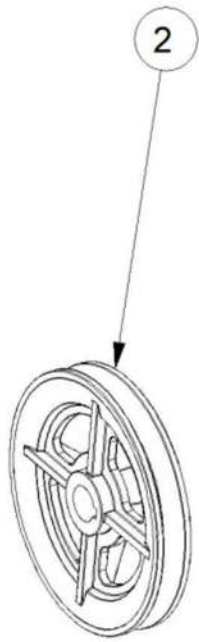
REF	QTY	PART NUMBER	DESCRIPTION
21	3	1-19633B	NUT- M10 6S BLK UNI5589-65
22	1	1-34301A	SCREW 10X20 BR
23	1	1-34501A	SCREW TE 10X30 8G
24	1	1-55301A	SCREW 10X70 HEX
25	1	1-17609A	SCREW, 8X16 8.8 UNI5931-67
26	4	1-53209A	SCREW TBEI M6X16 8G ZINC.YELL.
27	1	EAA0471G37A	SWING ARM, PAINTED
28	1	EAA0471G40A	SCREW, ANGULAR ADJUSTMENT
29	1	EAA0471G43A	MANOMETER WITH SUPPORT
30	1	EAA0489G50A	SWING ARM COLUMN BLACK 2014/29/UE
31	1	EAA0490G75A	HOOK FOR CHUCK DILL INFLATING GAUGE
32	1	EAM0140G92A	COVER, SPRING
33	1	EAM0146G86A	FULCRUM
34	1	EAM0146G98A	SCREW M20 TE
35	1	EAM0147G05A	WAVE SPRING 42x0.5
36	1	EAM0153G92A	ROD, VERTICAL SP. 41
37	2	EAS2195G80A	WASHER
38	1	EAS2195G87A	LEVER, REGISTER
39	1	EAS2195G88A	PLATE ROD LOCKING SPANNER CH41
40	1	1-04234A	FLAT HEXAGON NUT BM8 DIN439
41	1	EAA0350G07A	5PC PLS RIM PROT-4030319



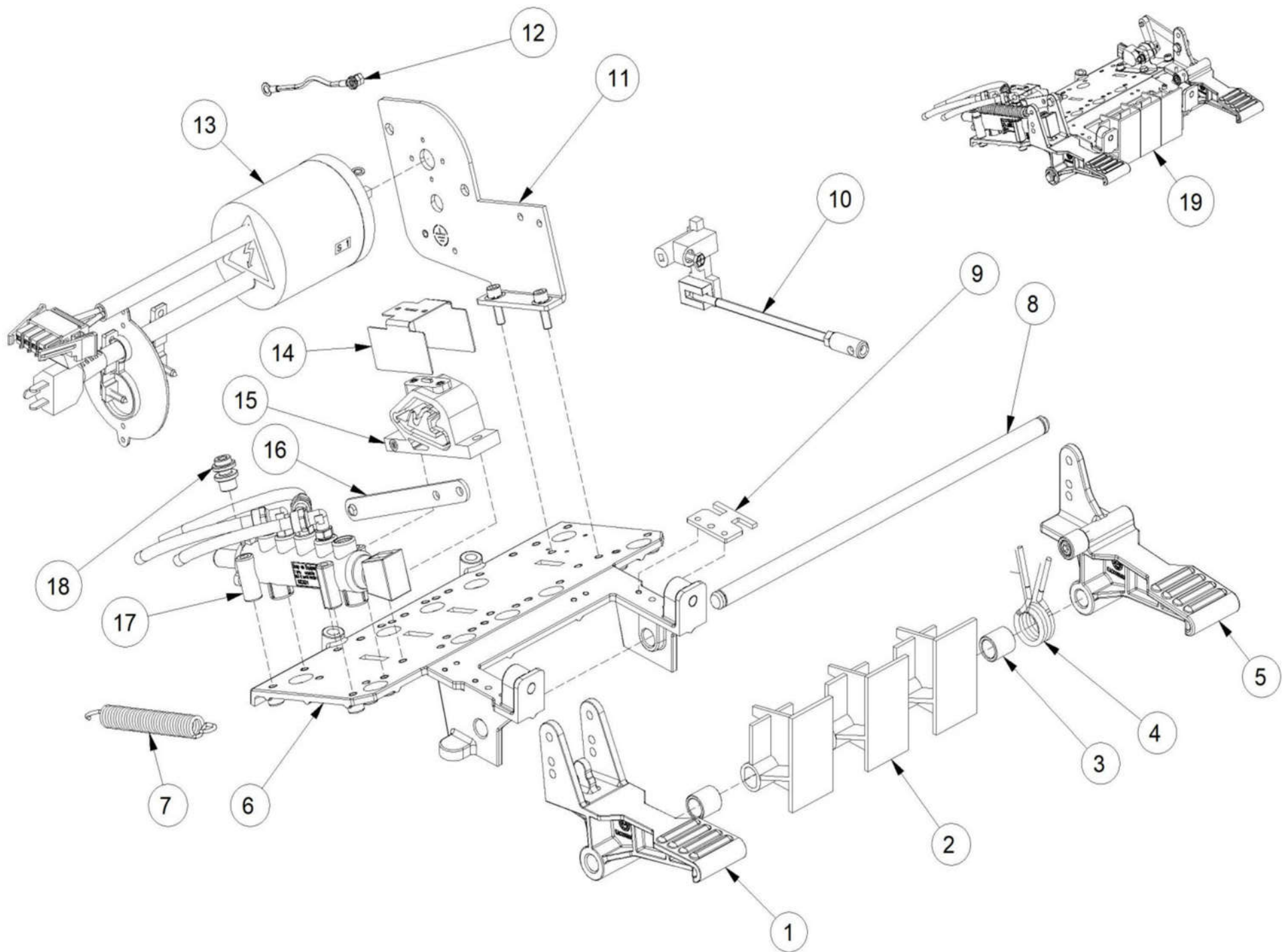


REF	QTY	PART NUMBER	DESCRIPTION
1	1	EAA0481G74A	TURNTABLE 12" GT
2	1	EAA0489G39A	20" /24" CLAMP ACTIONING PLATE
3	8	1-25952A	PIN DOWEL 5MMX10MM
4	2	EAM0043G49A	PLATE REGISTER CLAMP
5	2	EAA0377G79A	BRACKET CYLINDERS
6	1	EAM0051G85A	SUPPORT WASHER
7	1	1-18677A	SEEGER UNI 7435 ROD Ø60
8	4	EAC0099G90A	PROTECTION JAWS NEW
9	4	EAM0075G00A	CLAMP, SLIDING W/CENTRE 24" GT MACHINED
10	4	EAA0408G23A	ASSEMBLED SLIDING JAW C/TYPE V2
11	4	EAS2201G51A	24" GUIDE FOR SLIDING JAWS
12	4	1-24603A	SCREW M8X60 CLASSE 12.9 UNI 5933-6
13	2	EAA0410G31A	SELF CENTERING CYLINDER
14	2	EAK0330G35A	TILT TOWER FITTINGS KIT
15	1	EAA0304G69A	QR REVOLVING MANIFOLD 4025382
16	1	EAA0338G27A	RING-INSIDE, WITH SUPPORTS
N/S	1	EAS2138G25A	1" HOSE CONNECTION
17	1	EAK0330G28A	REVOLVING MANIFOLD FITNGS KIT
18	1	EAA0338G76A	RING, OUTER - MANIFOLD

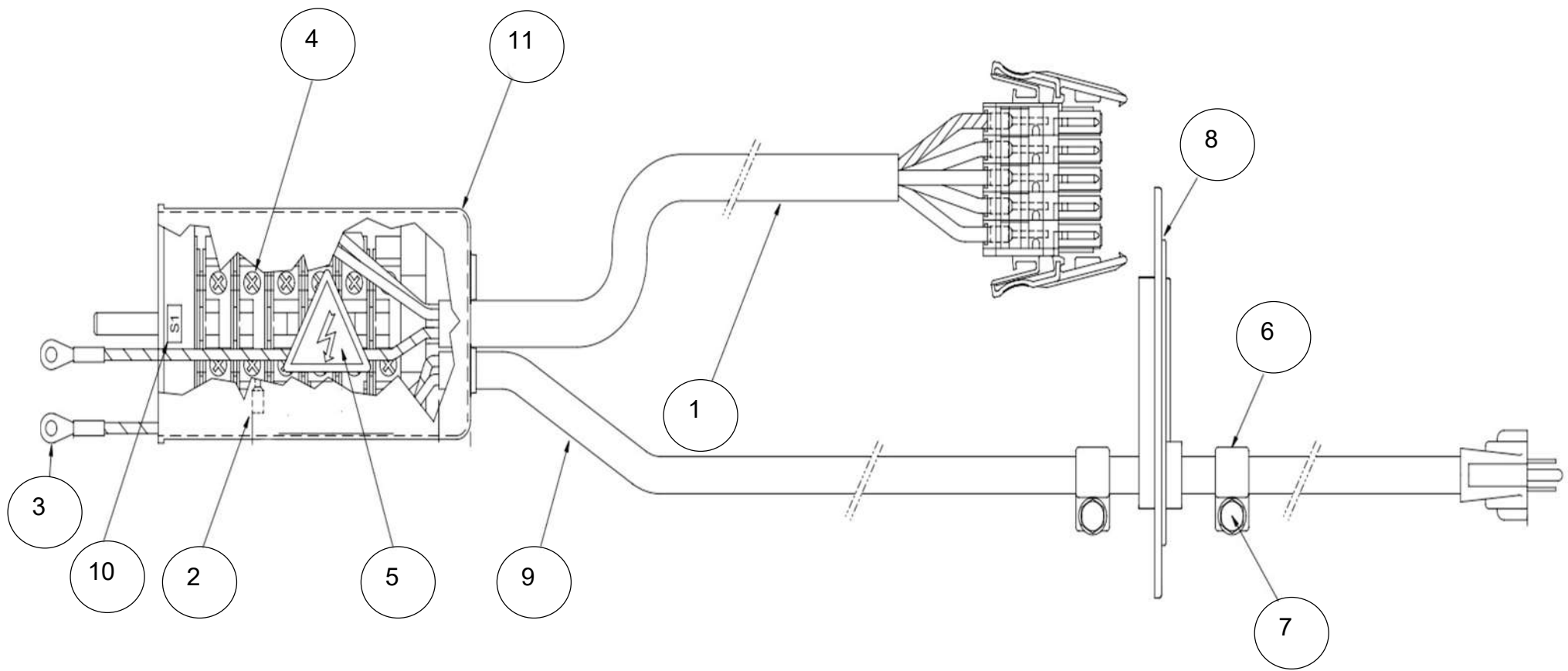
REF	QTY	PART NUMBER	DESCRIPTION
19	1	EAK0306G25A	TURNTABLE FIXING KIT
20	1	EAK0317G36A	SEAL, SP FOR CYLINDER
21	2	EAK0306G27A	SCREWS AND BOLTS FOR TURNTABLE
22	2	EAK0329G89A	SCREWS AND BOLTS FOR CLAMPS
23	2	EAK0329G88A	SCREWS AND BOLTS FOR CLAMPS
24	3	8-10814A	SEAL OR D.69.44X3.53
25	1	EAA0481G73A	20"/24" TURNTABLE FLANGE C/TYPE
26	2	1-11633A	NUT-HEX. M6 6S
27	2	EAM0051G90A	SUPPORT FOR PIPE BS
29	4	1-36109A2	SCREW TBEI 5X10 8G
31	2	1-14379A	CONNECTION L 1/4" 8X10
32	2	EAM0051G83A	PIPE FOR BS CLAMP
33	2	1-14479A	RAPID CONNECTOR
34	1	EAA0338G77A	SPRING, JOINT SEALING
35	1	EAC0087G50A	SEAL TUBELESS INFLATOR-FRONT
N/S	4	ST0026904	PIPE, SPIRAL *BLK 6,5X10X2,5IN L
N/S	2	EAM0154G76A	SPRING PROTECTION AIR HOSE
N/S		5-06435A	4X6 AIR HOSE
N/S		ST2618002	8X10 AIR HOSE



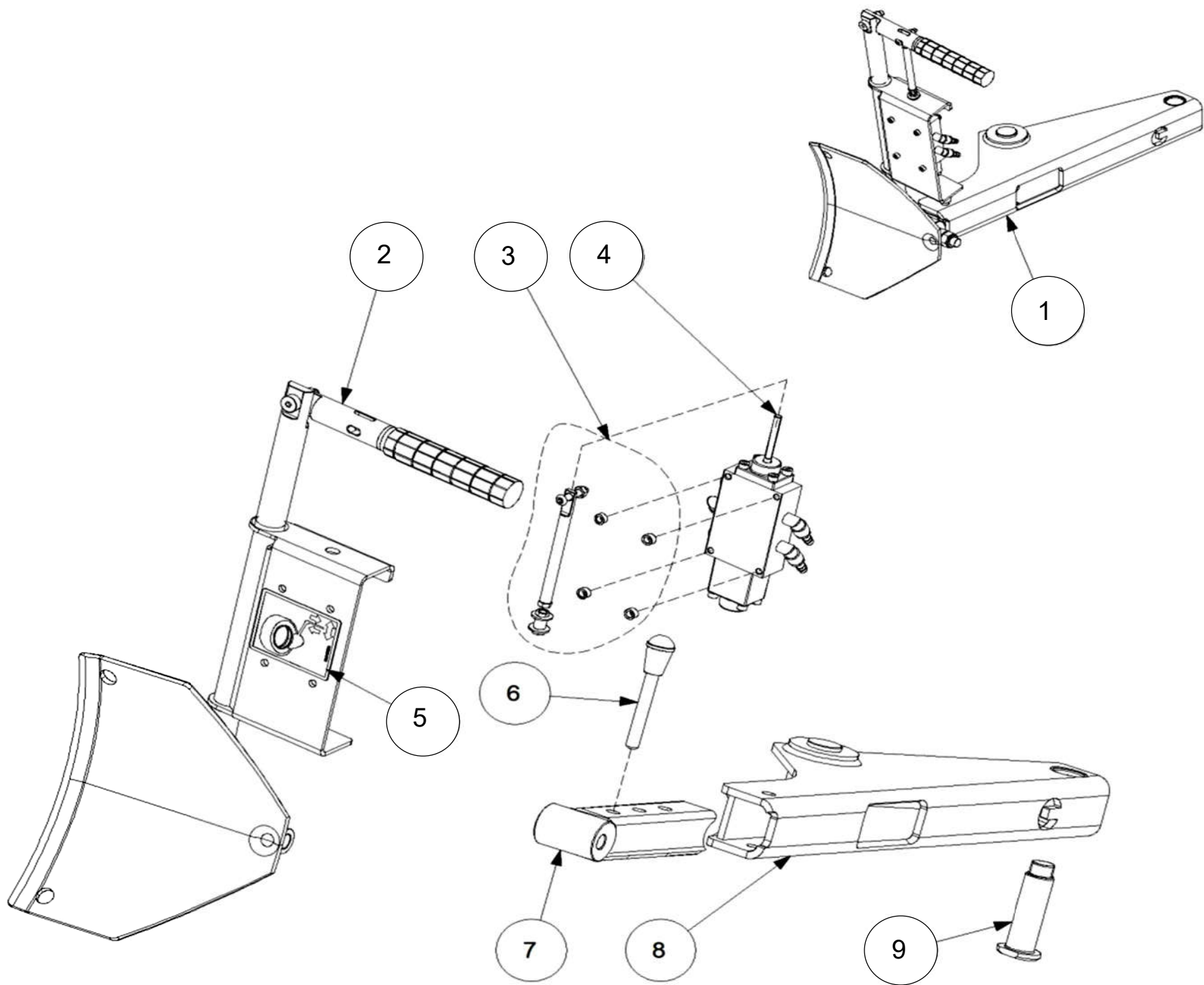
REF	QTY	PART NUMBER	DESCRIPTION
1	1	EAA0382G23A	GEARBOX
2	1	EAM0125G94A	PULLEY
3	1	EAC0078G58A	V BELT, A-26
4	4	1-32601	SCREW HEX HEAD MACHINE 8X20
5	1	1-54210A	SET SCREW M6X10 HEX SOCKET
6	1	1-48910A	SCREW SET HEX SOC FLT PT, 6 X 10
7	2	EAC0097G54A	WASHER SHOCK ABSORBER
8	2	EAM0032G93A	ANTIROTATION BUSHING
9	1	EAS2131G28A	MOTOR SUPPORT
10	1	EAA0371G78A	1 PH 115V MOTOR CABLE ASM RIGHT
11	1	EAM0154G58A	PULLEY DP=2" HOLE D.5/8"
12	4	1-11733	NUT M8 6S STAND WHITE ZINC
13	8	1-10041	WASHER D.8 UNI6592-69/DIN125
14	4	1-3048	WASHER SHAKEPROOF D8



REF	QTY	PART NUMBER	DESCRIPTION
1	1	EAM0068G95A	STANDARD PEDAL - MACHINED
2	3	EAC0096G11A	SPACER-PEDAL
3	2	EAM0048G79A	BUSHING, CENTERING- SPRING
4	1	EAM0048G78A	SPRING, PEDAL SWITCH
5	1	EAA0356G92A	RIGHT SWITCH FOOT PEDAL
6	1	EAM0068G80A	PEDAL ASM SUPPORT - MACHINED
7	2	EAM0147G64A	SPRING RECALL PEDALS
8	1	EAM0068G10A	SHAFT-HINGE, PEDAL
9	1	EAM0070G32A	COMMUTATOR SPRING GUIDE
10	1	EAA0347G61A	ROD, REGISTER-REVERSING GEAR
11	1	EAA0394G63A	1S SWITCH SUPPORT ASM
12	1	EAK0279G40A	NUTS/BOLTS FOR SWITCH
13	1	EAA0394G36A	1 PHASE SWITCH-CABLE ASSY. DX US
14	1	EAS2115G09A	PROTECTION SHEET FOR CAM
15	1	EAC0099G29A	CAM FOR PEDAL B
16	1	EAS2111G73A	ROD POSITIONER PEDAL
17	1	EAA0440G88A	TURNTABLE PEDAL HOSES + VALVE
n/s	1	EAA0356G94A	Turntable valve
n/s	1	ST2618004	6x8 hoses
18	1	EAC0099G82A	SPRING FIXING PAWL
n/s	3	1-1548	WASHER, EXT. SHAKEPROOF D6
n/s	2	1-12626A	SCREW HEX FLANGE HEAD M6 x 40mm
N/S	2	1-12726A	SCREW HEX FLANGE HEAD M6 x 65mm
N/S	1	1-56209A	SCREW, HEX SOCKET HEAD M6x40
19	1	EAA0489G60A	FOOT PEDAL ASM 2P 1PH US 115V

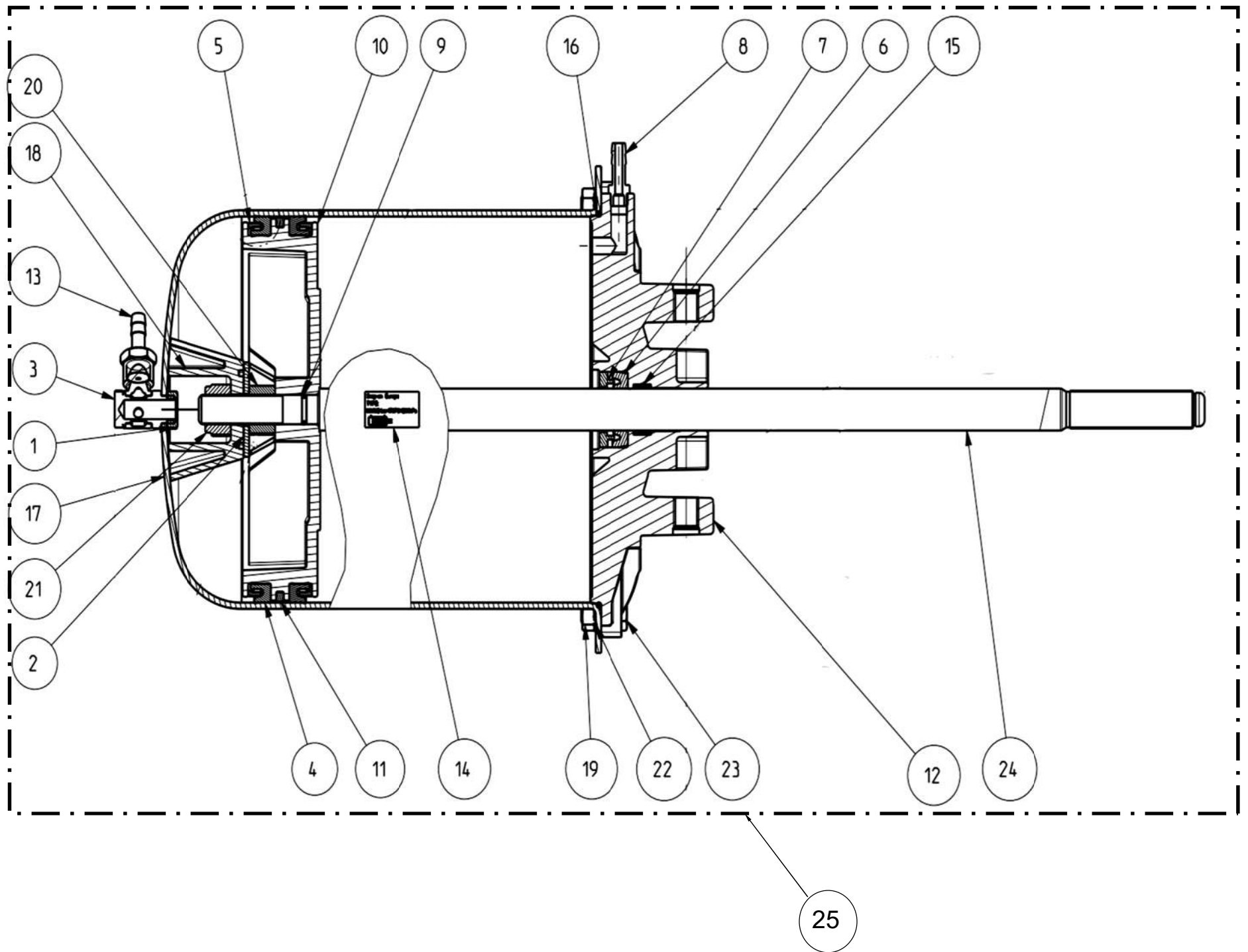


REF	QTY	PART NUMBER	DESCRIPTION
1	1	EAW0277G09A	115V PEDAL-SWITCH MOTOR CABLE
2	5	2-33301A	BOOTLACE FERRULE 2X2.5MM <sup>2</sup>
3	1	2-12802A	RING TERMINAL INSULATED 2.5MM <sup>2</sup> FOR M4
4	1	2-16759A	ONE PHASE ROTARY SWITCH
5	1	8-23562A	STICKER, DANGER VDE
6	2	EAW0256G00A	CLAMP FOR CABLE
7	2	1-24223A	SCREW D 4.8X16 TE BR. UNI 6949
8	1	EAC0100G22A	CABLE PROTECTION AND HOSE PASS
9	1	EAW0276G32A	CABLE FROR CEI 20-22 II 3GX2.5 450/750V L. TOT. 3500 MM
10	1	EAL0383G21A	CSA MAINS CORD 3.6M
11	1	EAC0097G80A	PROTECTION FOR INVERTER ST 1523

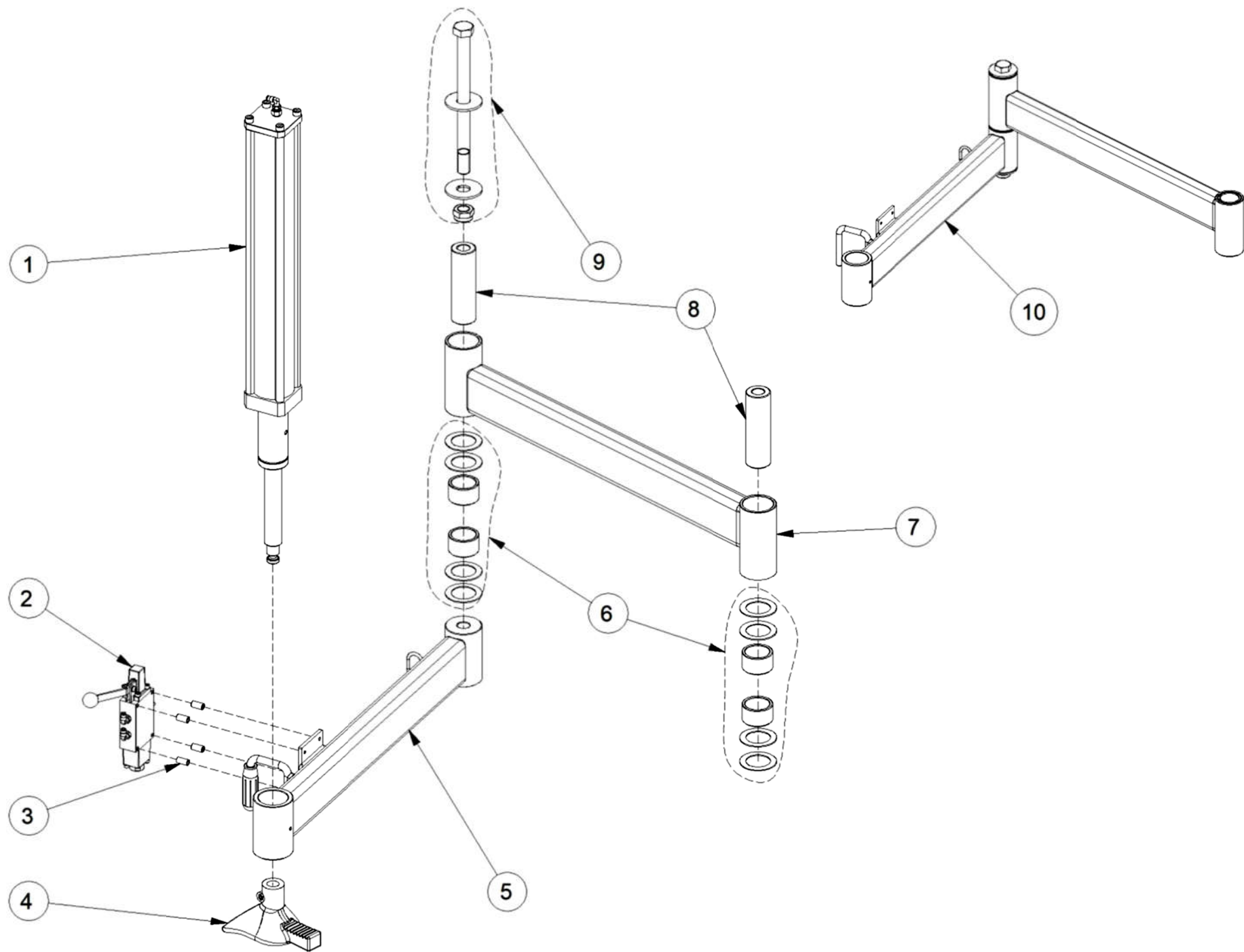




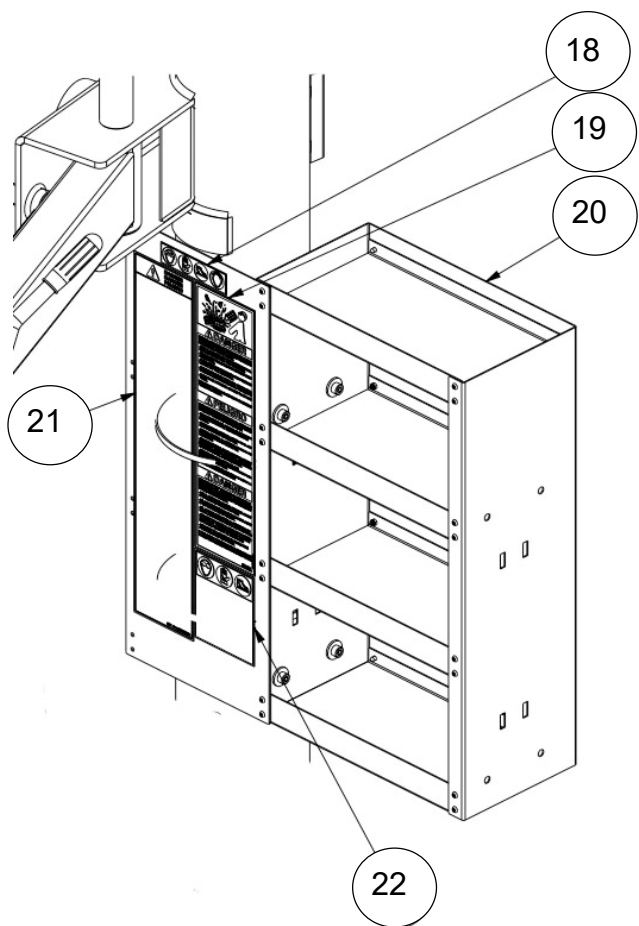
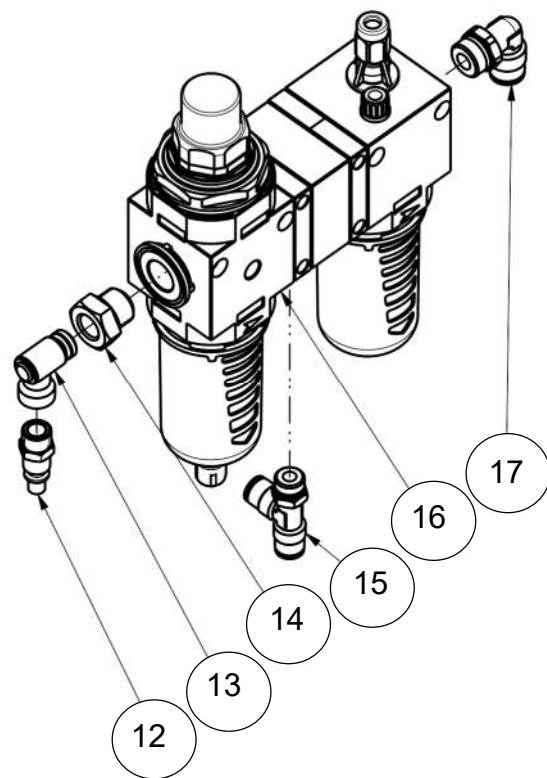
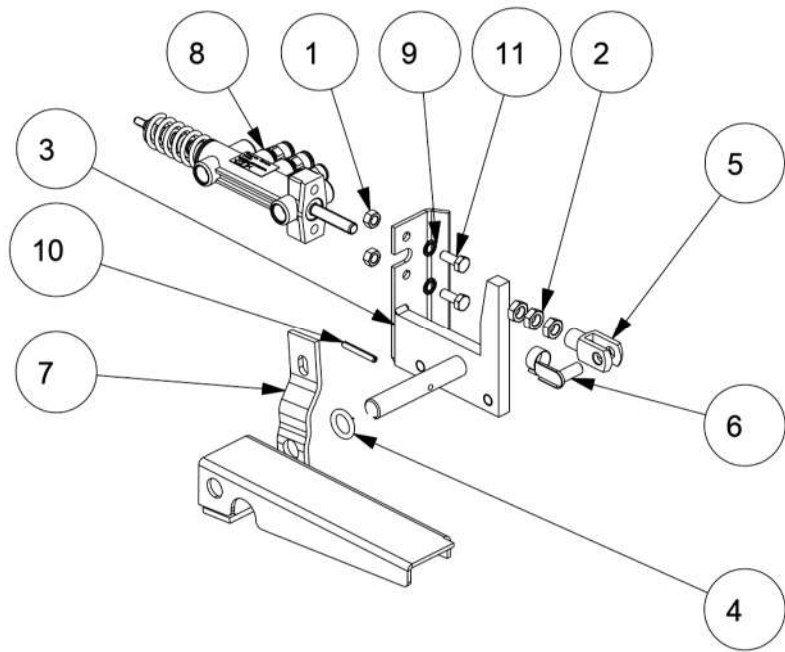
REF	QTY	PART NUMBER	DESCRIPTION
1	1	EAA0471G89A	BEAD BREAKER GROUP
2	1	EAK0330G94A	KIT BLADE AND HANDLE
3	1	EAK0330G95A	FIXING KIT BEAD BREAKER VALVE
N/S	1	EAM0146G70A	EXT. ROD
N/S	3	1-17833A	HEX.NUT M6 6S
N/S	2	1-20041A	WASHER - D.6X18
N/S	1	EAM0146G69A	EXT. ROD SPACER
N/S	5	1-37409	SCREW TBEI M6X35 ISO7380 BURNISHED
N/S	5	1-9933	NUT, PREVAILING TORQUE M6
N/S	4	EAM0147G34A	SPACERS FOR VALVE MOUNTING
4	1	EAA0470G31A	BEAD BREAKER VALVE
5	1	EAL0462G95A	BEAD BREAKER LABEL
6	1	EAA0328G72A	PIN - LOCK
7	1	EAS2169G69A	EXTENSION FOR B/BREAKER ARM
8	1	EAS2196G59A	ARM SUPPORT BEAD BREAKER
9	1	EAM0086G16A	FULCRUM-PIN BEAD-BREAKER
N/S	1	1-02138A	M20X1 LOCK NUT



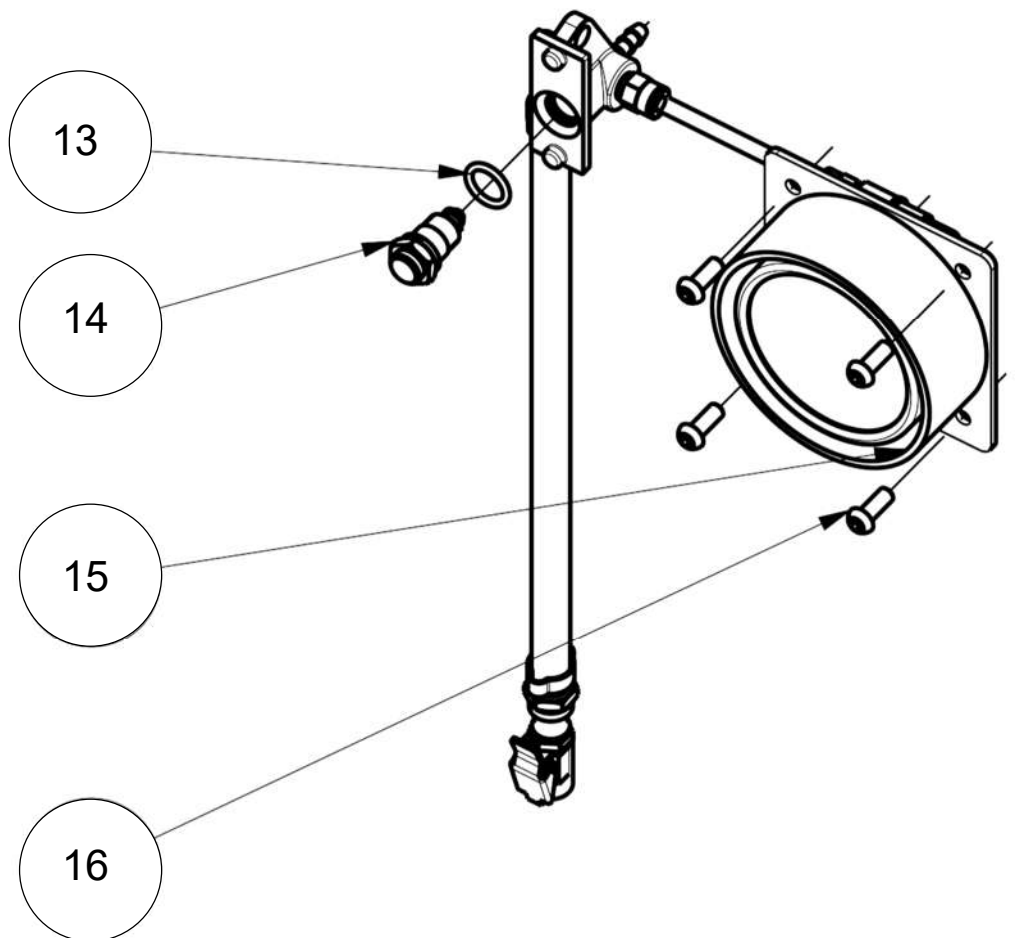
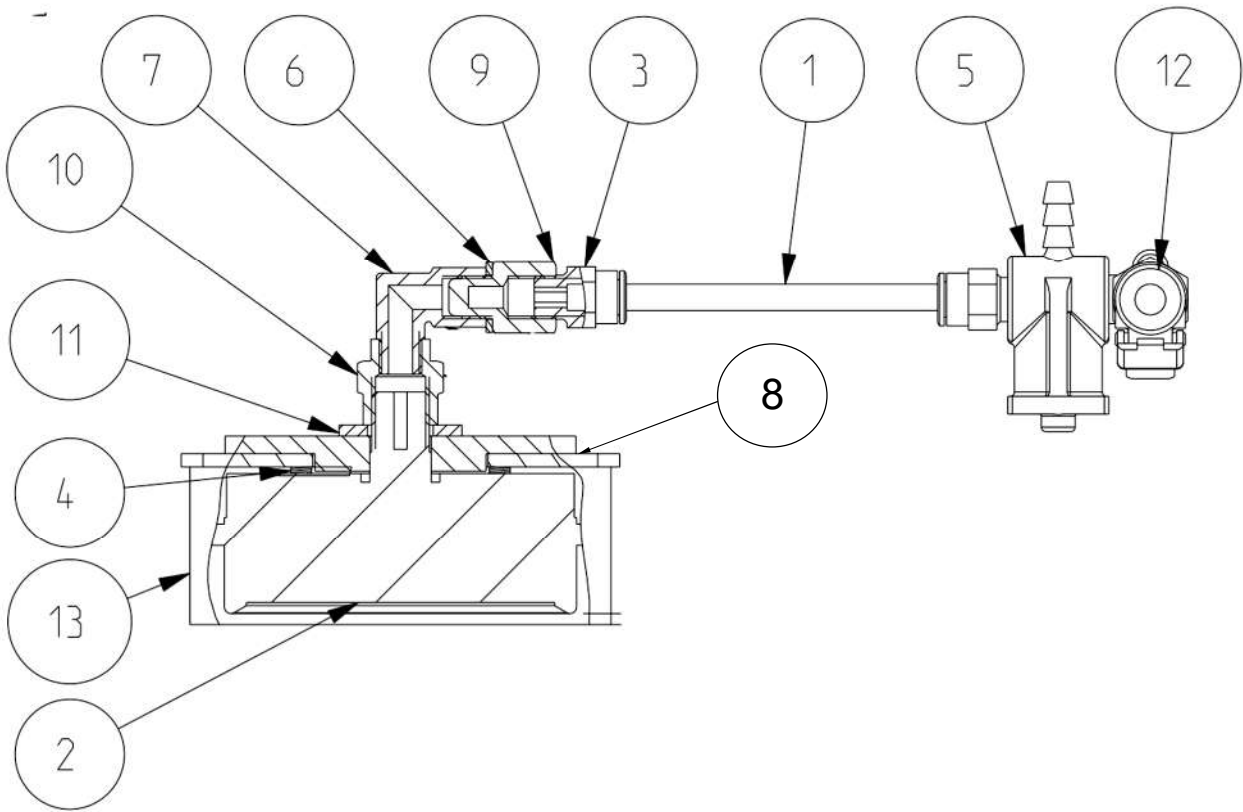
REF	QTY	PART NUMBER	DESCRIPTION
1	1	1-16433A	NUT 1/4" X 0.25" CAMOZZI 1253
2	1	1-17141A	WASHER, LARGE D.45X15X3 ISO 7093
3	1	1-24479A	1/4 CYL. + ORING ORIENTABLE FITTING
4	2	8-10114A	SEAL - LIP N D.184
5	2	EAC0078G34A	RING-PISTON, BEAD BREAKER
6	1	8-09614	SEAL, LIP ID20, OD36 TH8MM ON SHAFT
7	1	EAC0078G10A	RETAINER-SEAL
8	1	1-12079A	FITTING AIR 1/8 D.7
9	1	8-18314A	O-RING 10.82X1.78
10	1	EAC0094G40A	PISTON BEAD BREAKER CYLINDER
11	1	EAC0078G35A	RING- PLASTIC
12	1	EAC0078G36A	END CAP CYLINDER BEAD BREAKER
13	1	1-13079A	FITTING AIR 1/4-7
14	1	EAL0383G03A	PLATE CYLINDER D.E
15	1	EAC0078G18A	RING FOR ROD GUIDE D.20
16	1	8-10014A	O-RING I.D.183,82X2,62
17	1	EAS2068G62A	CYLINDER CHAMBER
18	1	EAM0048G04A	LIMIT SWITCH RUBBER PAD
19	8	1-11733	NUT M8 6S STAND WHITE ZINC
20	1	1-20433A1	NUT M14 WHITE ZINC
21	1	1-10433	NUT-S.LOCK,LOW- M14
22	8	1-1748	WASHER SHAKEPROOF D8
23	8	1-32601	SCREW HEX HEAD MACHINE 8X20
24	1	EAM0154G69A	ROD BEAD-BREAKER CYLINDER
25	1	EAA0482G07A	CYCLINDER BEAD BREAKER
N/S	2	EAM0067G34A	SCREW-CYL FITTING MID TIER TC



REF	QTY	PART NUMBER	DESCRIPTION
1		EAA0471G32A	CYLINDER FOR MH, SWING TC
N/S	1	1-53209A	SCREW TBEI M6X16 8G ZINC. SECURE CYLDR
2	1	EAA0470G30A	MH VALVE
N/S	4	ST7020519	NUT-M5, SELF LOCKING, LOW
N/S	4	1-69909A	M5 SCREW HEX HEAD
3	4	EAM0153G95A	SPACER
4	1	EAC0113G76A	BEAD PUSHER TOOL
5	1	EAA0471G90A	ARM, CYLINDER SUPPORT PAINTED
6	1	EAK0330G96A	BUSHINGS AND WASHERS KIT
7	1	EAK0330G97A	ARM MH DEVICE WITH BUSHINGS
8	1	EAM0146G86A	BUSHING FOR FULCRUM
9	1	EAK0330G98A	FULCRUM KIT FOR MH DEVICE
10	1	EAA0471G31A	MOUNTING HELPER DEVICE



REF	QTY	PART NUMBER	DESCRIPTION
1	2	1-11633A	NUT-M6 X 5.2 BLK
2	3	1-15933A	NUT-HEX 8M-1.25
3	1	EAS2134G52A	GT PEDAL SUPPORT
4	1	8-19514A	O-Ring SEAL 4055 13.87x3.53
5	1	1-02655A	CLEVIS M8 UNI 1676 DIN 71752
6	1	1-02955A	PIN-COTTER D.8 W/CLIP
7	1	EAS2068G87A	PEDAL, B. INFLATING, CATAPHOR. BLK
8	1	EAA0329G75A	VALVE, BEAD INFLATING
9	2	1-1548	WASHER, EXT. SHAKEPROOF D6
10	1	1-6652	PIN STRAIGHT SLOTTED 4x30 DIN 148
11	2	1-14701A	SCREW 6X16 8G DIN 985
12	1	1-24379A	1/4" CYL. WITH ORING AIR CONNECTION
13	1	1-24479A	1/4" CYL. THREAD WITH O-RING 8mm OD
14	1	1-27079A	FITTING T -QUICK 1/4 6X8
15	1	1-26979A	FITTING, QUICK 8X10 3/8
16	1	EAA0471G62A	FILTER-PRESSURE REGISTER
17	1	EAM0085G07A	REDUCTION MF 3/8-1/4
18	1	EAL0408G78A	PROTECTION DEVICES LABLE
19	1	EAL0462G12A	DANGER LABEL
20	1	EAS2195G78A	TOOL BOX ASSEMBLY
21	1	EAL0383G36A	DANGER LABEL
22	1	EAL0383G31A	DANGER LABEL
N/S	2	1-05982A	HOSE CLAMP





REF	QTY	PART NUMBER	DESCRIPTION
1	90MM	5-06435A	4X6 HOSE
2	1	8-06820A	3.5" PRESSURE GAUGE, PSI/bar
3	2	1-11579A	FITTING STRAIGHT 4X6 1/8
4	1	EAM0070G15A	WASHER-MANOMETER,FITTING
5	1	EAC0078G59A	BODY, VALVE- BLEEDER
6	1	1-26741A	WASHER COPPER
7	2	1-11979A	FITTING L MF 1/8"
8	1	EAM0070G14A	MANOMETER FIXING WASHER
9	1	1-12179A	PRESSURE SMOOTHER 1/8"
10	1	1-11879A	COUPLING REDUCT. FF 1/4-1/8"
11	1	1-10341	WASHER - d.14
12	1	EAS2220G55A	MANOMETER SUPPORT AND PROTECTION
13	1	8-10414A	SEAL-OR d.14
14	1	EAA0328G57A	BLEEDER VALVE
15	1	EAA0471G43A	MANOMETER WITH SUPPORT
16	4	1-53209A	SCREW TBEI M6X16 8G ZINC.YELL



Snap-on Equipment  
309 Exchange Ave.  
Conway, Ar 72032  
501-450-1500

Notice: The information contained in this document is subject to change without notice. Snap-on Equipment makes no warranty with regard to this material. Snap-on Equipment shall not be liable for errors contained herein or for incidental consequential damages in connection with furnishings, performance, or use of this material. This document contains proprietary information which is protected by copyright and patents. All rights are reserved. no part of this document may be photocopied, reproduced, or translated without prior written consent