

JohnBean

Spare Parts Pieces de Rechange Tabla de repuestos



EHP System III T1545T

FAMILY**NAME****DESCRIPTION / MAIN FEATURES*****System III****EHP System III*

T1545T PRO speed

Basic type - 115 V - single speed motor.

PRO speed type - 230 V - two speeds motor.

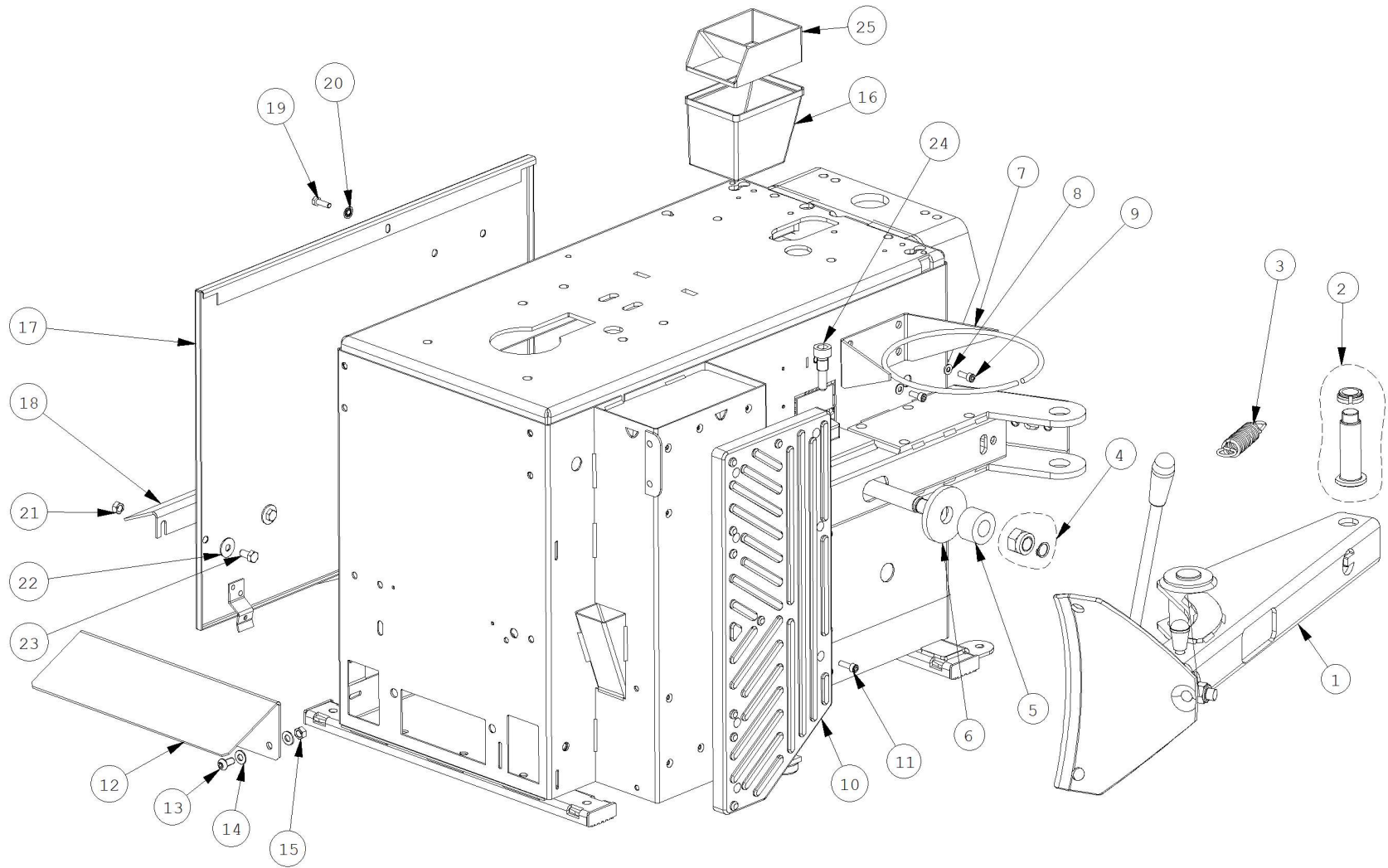
- **(GB)**: in a given list, components sharing the same letter (A,B,C...), in the "Note" column are compatible.
- **(FR)**: dans une table, les composants qui présentent la même lettre (A,B,C...) dans la colonne "Note", sont compatibles.
- **(DE)**: Die in einer Tabelle aufgeführten Komponenten, die in der Spalte "Anmerkung" mit demselben Buchstaben (A,B, C...) gekennzeichnet sind, sind kompatibel.
- **(RU)**: В данном списке компоненты с одинаковыми буквами (A, B, C) в графе "Примечания" совместимы.
- **(IT)**: all'interno di una tabella, i componenti che presentano la medesima lettera (A,B,C...) nella colonna "Nota", sono compatibili.
- **(ES)**: dentro de una tabla, los componentes de la columna "Nota" que poseen la misma letra (A, B, C...) son compatibles.
- **(PT)**: em uma determinada tabela, os componentes que apresentarem a mesma letra (A,B,C...) na coluna "Nota", são compatíveis.]

INDEX		Page
EAZ0138G85A_A	CABINET	4
EAZ0090G72A_B	TANK COLUMN	7
EAZ0137G15A_A	24" TURNTABLE GT	11
EAZ0138G22A_C	PEDAL ASSY AND TRANSMISSION 115V	15
EAZ0138G23A_C	PEDAL ASSY AND TRANSMISSION 230V	18
EAZ0138G24A_A	PEDAL UNIT 3P 115/230V	21
EAZ0132G77A_B	AIR CONTROL SYSTEM	24
EAZ0033G69A_B1	BEAD BREAKER SYSTEM	27
EAZ0137G07A_A	BEAD BREAKER SYSTEM - HD	30
TEEWH003S_B1	PNEUMATIC DIAGRAM - SWING	32
TEEWH003S_B2	PNEUMATIC DIAGRAM - SWING	33
TEEWH588ACWD_A	ELECTRIC DIAGRAM CSA 1ph – 230V	34
TEEWH784AWD_B	ELECTRIC DIAGRAM 1 PHASE MOTOR 115V	35

UPDATING GUIDE:

May 25: EAZ0132G77A_A > EAZ0132G77A_B, TEEWH003S_A > TEEWH003S_B

EAZ0138G85A.A



10/2021

Pos	Code	Designation	Désignation	Designación	N.	Note	Nota	A	B	C
1	EAA0338G44A	BEAD BREAKER EXTENSIBLE	DEBALLONEUR EXTENSIBLE	DESTALONADORA EXTENSIBLE	1				X	
1	EAA0490G02A	BEAD BREAKER GROUP	GROUPE DETALONNEUR	GRUPO DESTALONADOR	1	HD			X	
2	EAK0306G20A	FULCRUM KIT FOR BEAD BREAKER ARM	KIT PIVOT BRAS DETALONNEUR	KIT PERNO BRAZO DESTALONADOR	1				X	
3	EAM0067G69A	SPRING-RECALL ARM, BEAD BREAKER	RESSORT RAPPEL BRAS DETALONNEUR	MUELLE REGRESO BRAZO DESTAL.	1				X	
4	EAK0306G23A	FIXING KIT FOR BEAD BREAKER ARM	KIT FIXATION BRAS DETALONNEUR	KIT FIJACIÓN BRAZO DESTALONADOR	1				X	
5	EAC0097G51A	WASHER - SHOCK ABSORBER	RONDELLE- AMORTISSEMENT	ARANDELA DE AMORTIGUACIÓN	1				X	
6	EAM0067G33A	WASHER,SUPPORT-BEAD BREAKER	RONDELLE APPUI DETALONNEUR	ARANDELA SOPORTE DESTALONADOR GALV.	1				X	
7	EAA0349G76A	RING- BOX, GREASE	COURONNE BOITE GRAISSE	ANILLO PORTAGRASA GALVANIZADO	1				X	
8	1-9841	WASHER,PLAIN d6 ZINC.	RONDELLE d.6	ARANDELA P.D.6 GALVANIZ.	2				X	
9	1-16309	SCREW HEX SOCKET M 6X16	VIS CHc	TORNILLO TCEI	2				X	
10	EAC0099G22A	PAD- SUPPORT, BEADBREAKER	PALIER APPUI DETALONNEUR	TAMPÓN SOPORTE DESTALONADOR	1				X	
11	1-16409A	SCREW TCEI 6X20 8G	VIS CHc	TORNILLO TCEI	7	M6X20			X	
12	EAA0524G17A	PEDAL PROTECTION	PROTECTION PEDALES	PROTECTOR PEDALES	1	RAL3000			X	
12	EAS2169G75A	PEDAL PROTECTION	PROTECTION PEDALES	PROTECCIÓN PEDAL RAL3000	1	CSA RAL3000			X	
13	1-9902A	SCREW	VIS	TORNILLO	2				X	
14	1-17741	WASHER d.8	RONDELLE P.d.8 ZINC.JAUNE	ARANDELA P.D.8	4				X	
15	1-11733	NUT M8	ECROU M8 6S	TUERCA M8 6S	2				X	

A = available - disponible - disponible

B = on request - sur demande - a petición

C = suggested - suggeré - sugerido

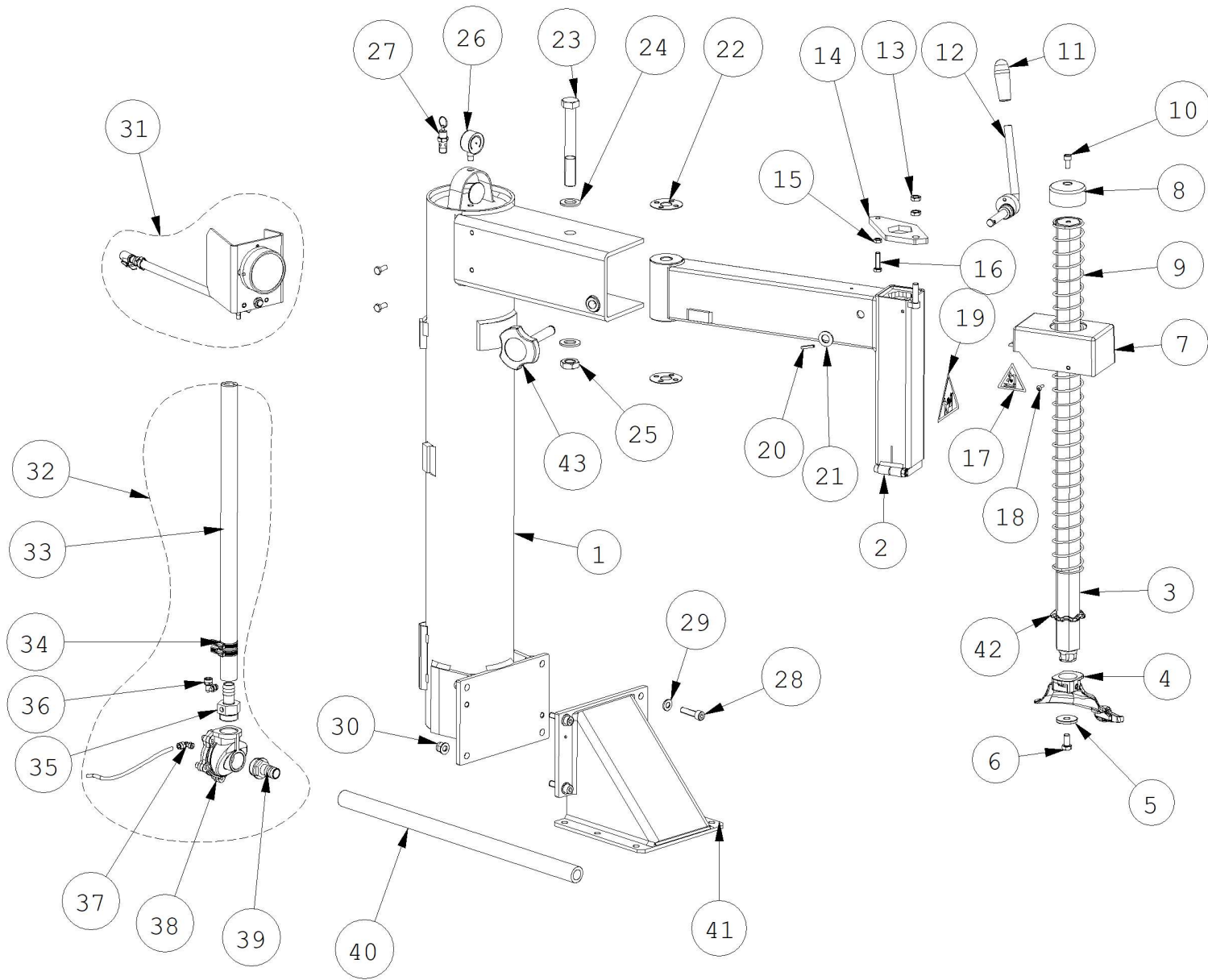
Pos	Code	Designation	Désignation	Designación	N.	Note	Nota	A	B	C
16	8-03129A	BOX-GREASE	BAC GRAISSE	CONTENEDOR PARA GRASA	1			X		
17	EAS2126G60A	BLACK SIDE	CÔTE NOIRE	FLANCO NEGRO	1				X	
17	EAS2238G37A	SIDE PANEL WITH COVER	CÔTE NOIRE	FLANCO NEGRO	1				X	
18	EAS2115G83A	PROTECTOR,PEDAL	PROTECTION PEDALE	PROTECCIÓN PEDAL NEGRO RECUBIERTO	1				X	
19	1-30901A2	SCREW TE 6X20 8G	VIS H	TORNILLO TE	1			X		
20	1-1548	WASHER-LOCK d.6	RONDELLE DE d.6	ARANDELA DE D.6	1		DIN 6798/A	X		
21	1-11733	NUT M8	ECROU M8 6S	TUERCA M8 6S	2			X		
22	1-17841	WASHER - d. 8X24	RONDELLE d.8X24	ARANDELA COMUN D.8X24 GALVANIZ.	2			X		
23	1-32501A	SCREW 8X16 8G	VIS H	TORNILLO TE	2			X		
24	EAM0067G34A	BEAD BREAKER CYLINDER FITTING SCREW	FIS FIXATION VERIN DETALONNEUR	TORNILLO FIJACIÓN CIL.DESTALON.	2			X		
25	1-31581A	PLUG-VALVE, HOUSING	BAC SOUPAPE	TAPA PORTAVÁLVULAS	1			X		

A = available - disponible - disponible

B = on request - sur demande - a petición

C = suggested - suggeré - sugerido

EAZ0090G72A.B



06/2022

Pos	Code	Designation	Désignation	Designación	N.	Note	Nota	A	B	C
1	EAS2169G73A	SWING COLUMN	COULONNE A DEPORT LATERAL	COLUMNNA OSCILANTE	1			X		
2	EAA0440G41A	SWING ARM	BRAS A DEPORT LATERAL	BRAZO OSCILANTE	1			X		
3	EAM0122G32A	ROD-VERTICAL	AXE VERTICALE	BARRA VERTICAL	1			X		
4	EAA0329G95A	MOUNTING/DEMOUNTING TOOL	OUTIL P. MONTAGE ET DEMONTAGE	HERRAMIENTA P. MONTAJE Y DESMONTAJE	1	A		X		
5	EAM0032G02A	WASHER- TOOL CLAMPING	RONDELLE FIXATION OUTIL	ARANDELA BLOQUEO HERRAMIENTA	1			X		
6	1-34301A	SCREW HEX 10X20 8G	VIS H	TORNILLO TE	1			X		
7	EAM0126G17A	PROTECTION, UPPER TOWER	PROTECTION SUPERIEUR POTENCE	PROTECCIÓN SUPERIOR BRAZO	1			X		
8	EAM0140G92A	COVER FOR HEX BAR	COUVERCLE TIGE HEXAGONALE	TAPA VARILLA HEXAGONAL	1				X	
9	EAS2153G47A	SPRING-RECALL, TOWER,VERTICAL	RESSORT RETOUR TIGE VERTICALE	RESORTE REGRESO BARRA VERTICAL	1			X		
10	1-17609A	SCREW, 8X16 8.8 UNI5931-67	VIS CHc	TORNILLO TCEI	1			X		
11	EAC0078G04A	HANDLE-RUBBER	POIGNEE POUR LEVIER	MANIJA PARA PALANCA	1			X		
12	EAS2108G36A	LEVER, REGISTER	LEVIER REGLAGE	LEVA AJUSTE	1			X		
13	1-19633B	NUT- M10 6S BLK UNI5589-65	ECROU M10 6S	TUERCA M10 CL.8 BR	2			X		
14	EAS2153G46A	LEVER- NECKING	LEVIER ETRANGLEMENT	PALANCA ESTRANGULADOR	1			X		
15	1-15933A	NUT M8 DIN 936 - UNI 5589	ECROU M8 6S	TUERCA M8 CL.8 BR BAJO	1			X		
16	EAM0067G26A	SCREW, ADJUSTMENT- ROD	VIS REGLAGE CRIC	TORNILLO AJUSTE CARRACA	1			X		
17	EAL0408G42A	STICKER DANGER	PLAQUETTE DANGER	ADHESIVO PELIGRO	2			X		

A = available - disponible - disponible

B = on request - sur demande - a petición

C = suggested - suggeré - sugerido

Pos	Code	Designation	Désignation	Designación	N.	Note	Nota	A	B	C
18	1-49709A	SCREW TBEI 5X16 8.8	VIS BHc	TORNILLO TBEI	3			X		
19	EAL0408G44A	DANGER LABEL	PLAQUETTE DANGER	TARJETA DANGER	1			X		
20	1-6452	PIN, STRAIGHT SLOTTED	BROCHE ELASTIQUE	PASADOR ELÁSTICA	1			X		
21	1-10341	WASHER - d.14	RONDELLE d.14	ARANDELA PLANA D.14 GALVANIZ.	1			X		
22	EAM0067G29A	WASHER - ADJUSTMENT	RONDELLE DE REGLAGE	ARANDELA DE REGULACION	2			X		
23	EAM0067G25A	SCREW, SWING ARM SUPPORT	VIS AXE BRAS DEPORTE	TORNILLO PIVOTE BANDERA	1			X		
24	1-10641	WASHER	RONDELLE	ARANDELA	2			X		
25	1-21633A	NUT	ECROU	TUERCA	1			X		
26	8-06120A	MANOMETER-RADIAL 0-16 D.40	MANOMETRE RADIAL 0-16 D.40	MANÓMETRO RADIAL 0-16BAR D.40	1			X		X
27	1-31381A	VALVE, ASME SAFETY, 1/4" BSPT	SOUPAPE DE SURETE	VALVULA DE SEGURIDAD	1					X
28	1-19409	SCREW TCEI 10X40	VIS TC SIX PANS 10X40 8.8ZINC.	TORNILLO TCEI 10X40 8.8 CINC.	4			X		
29	1-10141A1	WASHER P.D.10	RONDELLE P.D.10 ZINC.BLANCHE	ARANDELA P.D.10 CINC.BLANCA	8			X		
30	7020879	NUT SELFCLAMPING	ÉCROU AUTOBLOQ.	TUERCA AUTOBLOC.	4			X		
31	EAA0332G48A	ASSY, GAUGE-PRESSURE PSI / Kpa	GROUPE MANOMETRE PSI/Kpa	GRUPO MANOMETRO PSI/Kpa	1					X
32	EAA0351G03A	ASSY, VALVE- PNEUMATIC	GROUPE VANNE PNEUMATIQUE	GRUPO VALVULA NEUMATICA	1					X
33	27096	HOSE, AIR- HIGH PRESSURE	TUYAU AIR HAUTE PRESSION	TUBO AIRE ALTA PRESION	1			X		
34	EAM0075G29A	CLIP, LOCKING-HOSE	BANDE SERRAGE TUYAU	FAJUELA SERRAJE TUBO	4			X		

A = available - disponible - disponible

B = on request - sur demande - a petición

C = suggested - suggeré - sugerido

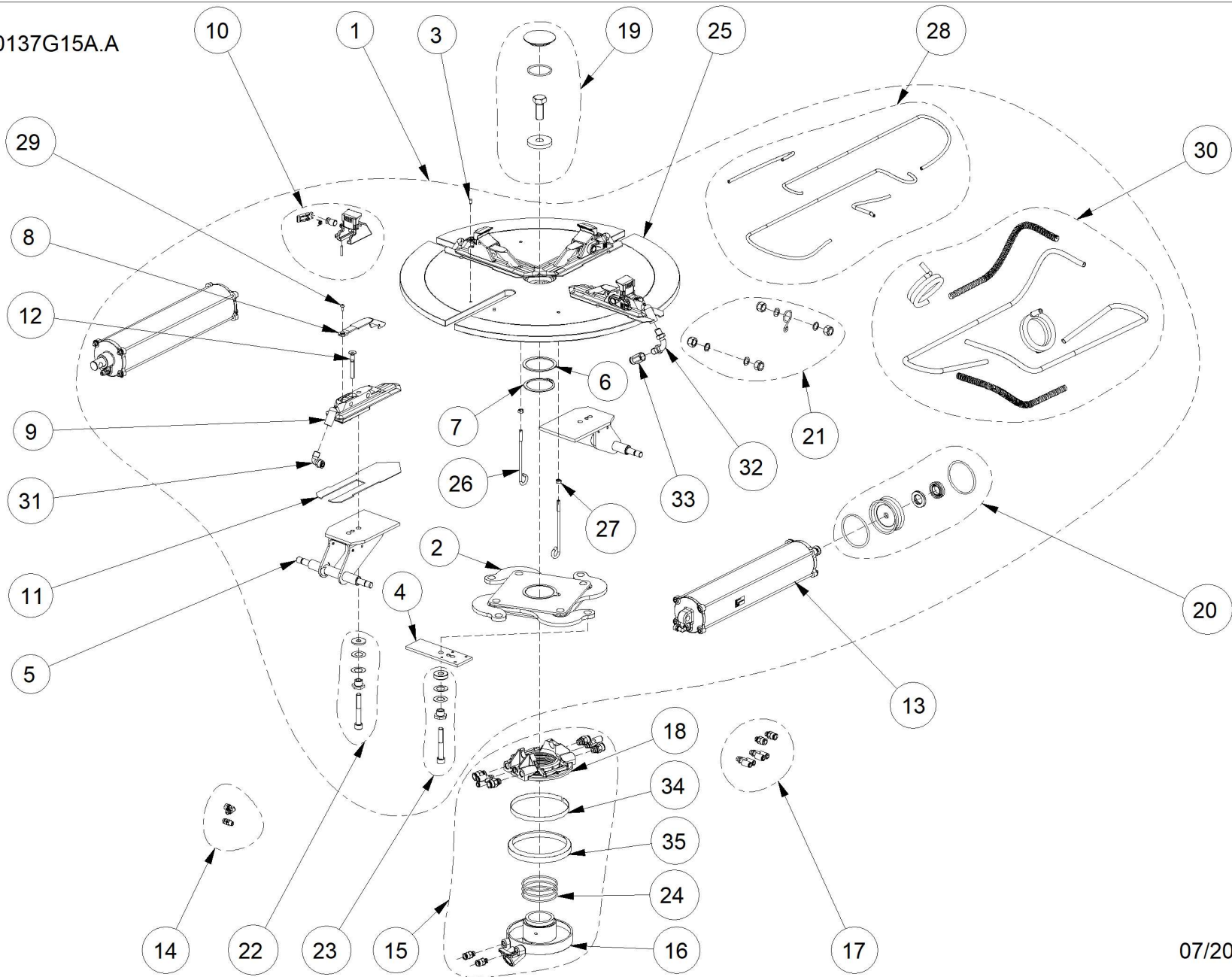
Pos	Code	Designation	Désignation	Designación	N.	Note	Nota	A	B	C
35	15658	FITTING, RUB.HOLDER 1" LONG	RACCORD SUPP.CAOUTCHOUC 1"	CONEXIÓN PORTA GOMA 1 "LARGA	1			X		
36	1-17279A	FITTING "L" 6X8 1/8	RACCORD "L" 6X8 1/8	CONEXIÓN "L" 6X8 1/8	1			X		
37	1-17179A	ELBOW FITTING "L" 4X6 1/4"	RACCORD A L 4X6 1/4"	CONEXIÓN DE TORNILLO EN "L" 4X6 1/4"	1			X		X
38	1-29581A	VALVE,AIR-CONTROLLED	SOUPAPE COMAN.PNEUM.	VÁLVULA DE MANDO NEUMÁTICO	1			X		X
39	EAM0071G99A	FITTING , SUPPORT M1"-20	RACCORD SOUTIEN	CONEXIÓN PORTAGOMA	1			X		
40	14121	HOSE, AIR	TUYAU AIR	TUBO AIRE L=600	1			X		
41	EAS2169G72A	COLUMN SUPPORT	SUPPORT COULONNE	SOPORTE COLUMNA	1			X		
42	EAC0094G02A	RING, SHOCK-ABSORBER	BOUCLE AMORTISSEUR	ANILLO AMORTIGUADOR	1					X
43	1-03512A	HANDLE WITH SCREW	VIS REGLAGE POT.DEPORTEE	TORNILLO REGLAJE COL.OSCILANTE	1			X		

A = available - disponible - disponible

B = on request - sur demande - a petición

C = suggested - suggeré - sugerido

EAZ0137G15A.A



07/2019

Pos	Code	Designation	Désignation	Designación	N.	Note	Nota	A	B	C
1	EAA0489G97A	TURNTABLE 24" CENTER TYPE NO GT	AUTOCENTRANT 24" CONV.CENT. NO GT	AUTOCENTRADO 24" CONV. CENTR. NO GT	1	24"			X	
2	EAA0489G39A	20"/24" CLAMP ACTIONING PLATE	PLAQUETTE REGLAGE ETAUX	PLATO REGLAJE GARRAS	1				X	
3	1-25952A	PIN DOWEL 5x10 UNI EN 28734	GOUPILLE	PASADOR	8				X	
4	EAM0043G49A	CLAMP ADJUSTMENT PLATE	PLATEAU REGLAGE ETAU	PLATO REGLAJE GARRA	2				x	
5	EAA0377G79A	BRACKET CYLINDERS	SIEGE VERINS	ESTRIBO CILINDROS	2				X	
6	EAM0051G85A	WASHER	BAGUE DE SOUTIEN	ARANDELA DE SOPORTE	1				x	
7	1-18677A	RING- STOP D.60	ANNEAU D'ARRET	ANILLO DE PARO PARA ÁRBOL D.60	1				x	
8	EAC0099G90A	JAWS PROTECTION	PROTECTION ETAUX	PROTECCIÓN ABRAZADERA NUEVO ST.	4				x	X
9	EAM0075G00A	SLIDING CLAMP FOR CENTER TYPE TURNT/	ETAU COULISSANT A/CENTRE 20"-S2	ABRAZADERA CORREDERA C/CENTRO 20"-S2	4				x	
10	EAA0408G23A	ASSEMBLED SLIDING JAW C/TYPE V2	CALE COULISSANTE C/C ASSEMBLEE V2	CUÑA DESLIZANTE C/C MONTADO V2	4				x	
11	EAS2201G51A	24" SLIDING CLAMP GUIDE	GUIDE ETAU COULISSANT 24"	GUÍA MORS. CORRED. 24"	4				X	
12	1-24603A	SCREW TSEI 8X60 12.9	VIS FHc	TORNILLO TSEI	4				X	
13	EAA0410G31A	CYLINDER, TURNTABLE	CYLINDRE AUTOCENTRANT	CILINDRO AUTOCENTRADOR	2				X	
14	EAK0330G35A	TT CYLINDER FITTINGS KIT	KIT RACCORDS CYLINDRE AUTOCENTRANT	KIT RACORES CILINDRO AUTOCENTRADOR	1					X
15	EAA0304G69A	REVOLVING MANIFOLD, TUBELESS INFLATOF	DISTRIBUTEUR TOURNANT GT	DISTRIBUIDOR GIRATORIO GT	1				x	
16	EAA0338G27A	RING-INSIDE, WITH SUPPORTS	COLLIER INTERIEUR AVEC ROULEMEN	RUEDA CON CONEXIÓNS	1				x	
17	EAK0330G28A	REVOLVING MANIFOLD FITTINGS KIT	KIT RACCORDEMENT DISTRIB.TOURNANT	KIT RACORES DISTRIB. GIRATORIO	1					x

A = available - disponible - disponible

B = on request - sur demande - a petición

C = suggested - suggeré - sugerido

Pos	Code	Designation	Désignation	Designación	N.	Note	Nota	A	B	C
18	EAA0338G76A	RING, OUTER - MANIFOLD	COLLIER EXTERIEUR COLLECTEUR	ARO EXTERIOR COLECTOR	1			x		
19	EAK0306G25A	TURNTABLE FIXING KIT	KIT RACCORDEMENT AUTOCENTRANT	KIT CONEXIÓN AUTOCENTRADOR	1			x		
20	EAK0317G36A	TURNTABLE CYLINDER SEALS KIT	KIT JOINTS CYLINDRES RONDS	KIT JUNTAS CILINDROS REDONDOS	2			x		
21	EAK0306G27A	SCREWS AND BOLTS FOR TURNTABLE CYL.	KIT VIS VERINS AUTOCENTRANT	KIT TORNILLOS CILINDROS AUTOCENTRADOR	1			X		
22	EAK0329G89A	SCREWS AND BOLTS FOR CLAMPS	KIT VIS PLATEAU COMMANDE BORNES	KIT TORNILLOS PLACA MANDO BORNES	2			x		
23	EAK0329G88A	SCREWS AND BOLTS WITH ECCENTRIC	KIT VIS AVEC EXCENTR.PLAQUE BORNES	KIT TORNILLOS EXCÉNTR.PLACA BORNES	2			x		
24	8-10814A	SEAL OR D.69.44X3.53	JOINT TORIQUE	JUARNICIÓN OR	3	ø69.44x3.53		x		
25	EAA0481G73A	20"/24" TURNTABLE FLANGE, C/TYPE	PLATEAU AUTOCENTRANT CONV.CENT.	PLATO AUTOCENTRANTE CONV.CENT.	1				X	
26	1-11633A	NUT-HEX. M6 6S	ECROU M6 6S	TUERCA M6 CL.8 BR-MEDIO	2			X		
27	EAM0051G90A	SUPPORT, PIPE GT (WHITE GALVAN.)	SUPPORT POUR TUYAU (ZINGAG. BLANC) GT	SOPORTE POR TUBO (GALV. BLANC) GT	2			X		
28	EAK0341G62A	TURNTABLES HOSES KIT	KIT TUBES AUTOCENTRANT	KIT TUBOS AUTOCENTRADOR	1				X	
29	1-36109A2	SCREW TBEI 5X10 8G	VIS BHc	TORNILLO TBEI	4			X		
30	EAK0341G63A	TURNTABLE HOSES KIT FOR GT	KIT TUBES AUTOCENTRANT GT	KIT TUBOS GT	1				X	
31	1-14379A	FITTING-90 DEG L 1/4 8X10	RACCORD A L 1/4 8X10	CONEXIÓN EN L 1/4 BX10	2			X		
32	EAM0051G83A	PIPE FOR TERMINAL GT	TUYAU POUR BORNE GT	TUBO POR BORNE GT	2			X		
33	1-14479A	FITTING, SWIFT F.8X10 1/4"	RACCORD RAPIDE F. 8X10 1/4"	CONEXIÓN RÁPIDA F.8X10 1/4"	2	1/4" 8x10		X		
34	EAA0338G77A	SPRING, JOINT SEALING	RESSORT RETENUE JOINT	MUELLE SUJECIÓN JUNTA	1			x		

A = available - disponible - disponible

B = on request - sur demande - a petición

C = suggested - suggeré - sugerido

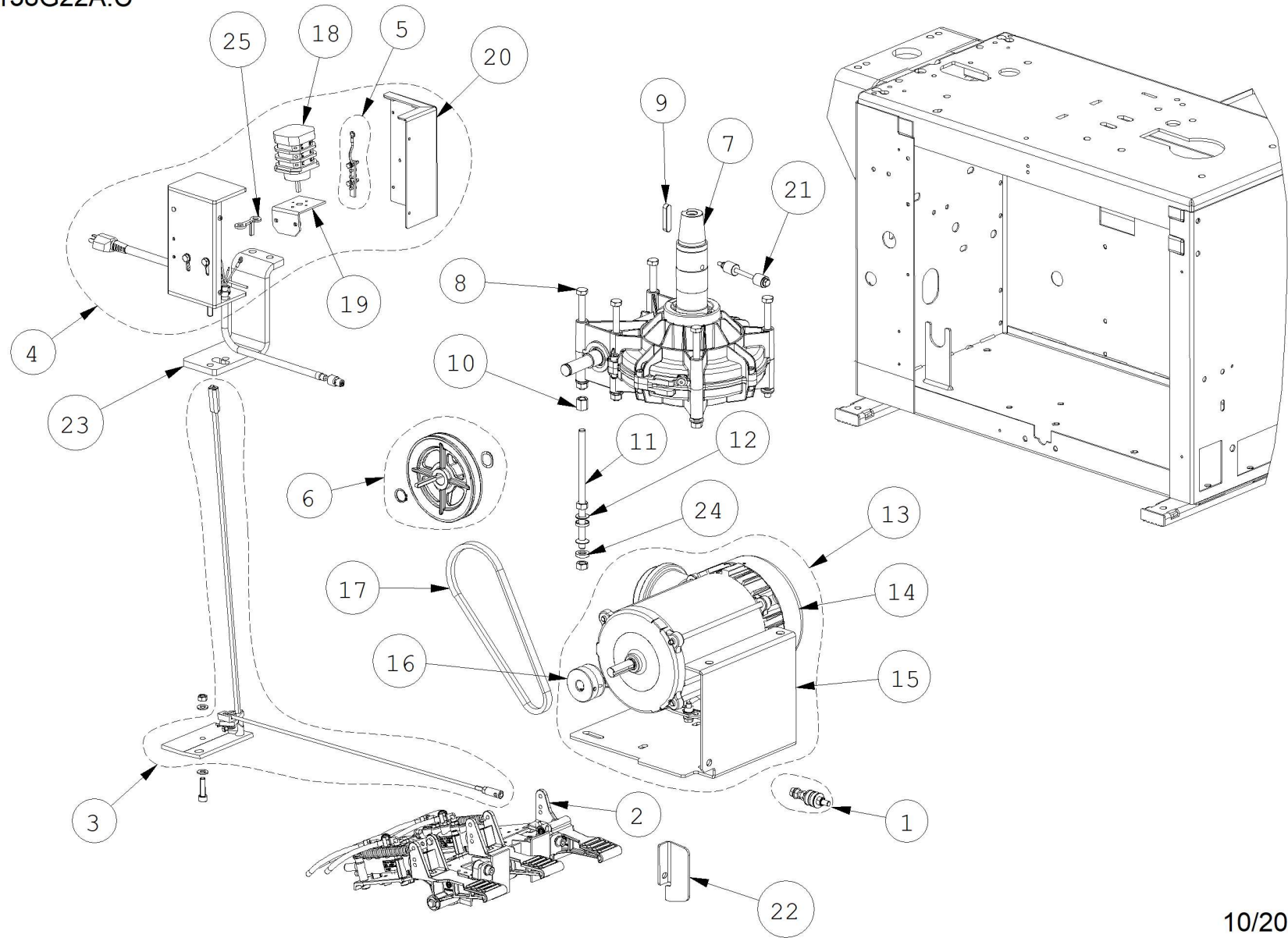
Pos	Code	Designation	Désignation	Designación	N.	Note	Nota	A	B	C
35	EAC0087G50A	SEAL TUBELESS INFLATOR-FRONT	JOINT FRONTAL GONFLEUR	JUARNICIÓN FRONTAL HINCHADOR TUBELES	1			X		X

A = available - disponible - disponible

B = on request - sur demande - a petición

C = suggested - suggeré - sugerido

EAZ0138G22A.C



10/2021

Pos	Code	Designation	Désignation	Designación	N.	Note	Nota	A	B	C
1	EAK0279G66A	BELT TIGHTENER KIT	KIT TENDEUR-COURROIE	KIT TENSOR DE CORREA	1			X		
2	EAA0523G18A	FOOT PED. ASM 3P	JEU PEDAL 3 PEDALS	JUEGO DE PEDALES 3P 115V	1	1PH 115V CSA			X	
3	EAA0523G19A	GROUP, SWITCH TRANSMISSION	JEU INVERSEUR TRANSMISSION	GRUPO INVERSOR TRANSMISSION	1				X	
4	EAA0523G06A	CSA INVERTER BOX ASSY	ENSEMBLE BOITE CONVERTISSEUR	GRUPO CAJA INVERSOR	1				X	
5	EAK0279G40A	NUTS/BOLTS FOR SWITCH	KIT VIS FIXATION INVERSEUR	KIT TORNILLOS CONEXIÓN INTERRUPTOR	1			X		
6	EAK0341G09A	REDUCTION UNIT PULLEY KIT	KIT POULIE REDUCTEUR	KIT POLEA REDUCTOR	1			X		
7	EAA0457G27A	GEARBOX	REDUCTEUR	REDUCTOR	1			X		
8	EAK0306G75A	SCREWS KIT FOR GEARBOX	KIT VIS REDUCTEUR	KIT TORNILLOS REDUCTOR	1				x	
9	1-1572	KEY-10x8x45	LANGUETTE	LENGUETA	1				x	
10	EAM0192G21A	COUPLING, CONNECTION-M10	MANCHON RACCORD M10	CASQUILLO CONEXIÓN M10	1				X	
11	EAM0192G20A	TENSION ROD- FITTING, PLATE	TIRANT FIXAJE TOLE	TIRANTE FIJACIÓN CHAPA	1				X	
12	1-41241A	SPHERICAL WASHER	RONDELLE SPHERIC	ARANDELA ESFERICA	2		DIN 6319-C		X	
13	EAA0523G16A	1PH 115V MOTOR ASSY	GROUPE MOTEUR	GRUPO MOTOR	1				X	
14	2-97266A	MOTOR 1PH 115V-60HZ-1HP HAZLOC	MOTEUR	MOTOR	1				X	
15	EAS2238G35A	MOTOR SUPPORT	SUPPORT MOTEUR	SOPORTE MOTOR	1				X	
16	EAM0154G58A	PULLEY DP=2"HOLE D.5/8"	POULIE MOTEUR DP=2"- ORIF.D.5/8"	POLEA MOTOR DP=2"- ORIF. D.5/8"	1				X	
17	EAC0103G74A	V BELT, A-25	COURROIE A-25	CORREA A-25	1				X	x

A = available - disponible - disponible

B = on request - sur demande - a petición

C = suggested - suggeré - sugerido

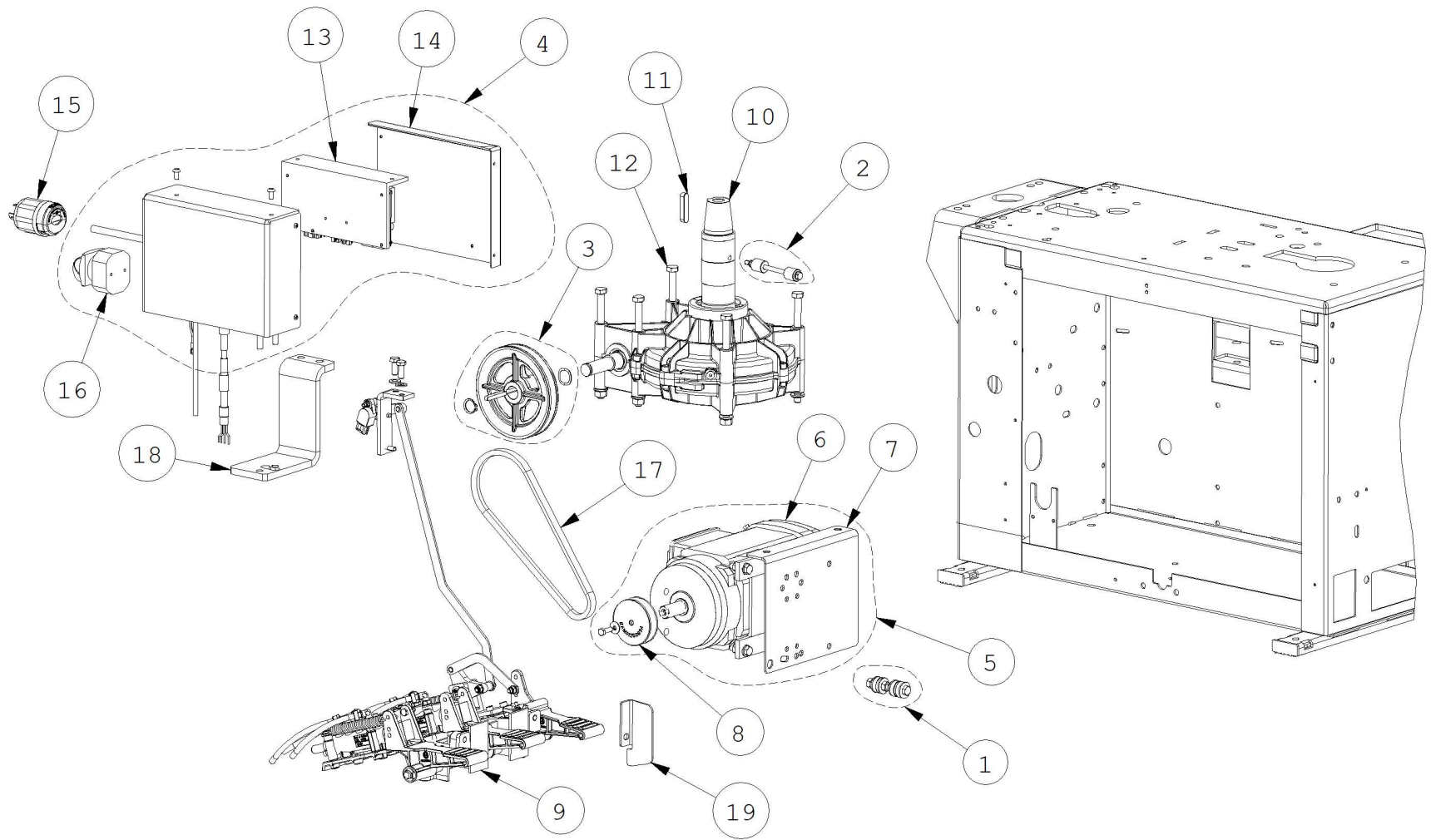
Pos	Code	Designation	Désignation	Designación	N.	Note	Nota	A	B	C
18	2-16759A	ONE PHASE ROTARY SWITCH	INVERSEUR ROTATIF 1 PHASE	INVERSOR ROTATORIO MONOFÁSICO	1			X		
19	EAS2126G72A	SUPPORT REVERS.GEAR	SUPPORT INVERSEUR	SOPORTE INVERSOR	1				X	
20	EAA0524G19A	SWITCH BOX COVER	CARTER FERMETURE BOITE	CHAPA DE CIERRE CAJA	1				X	
21	EAK0279G67A	ANTIROTATION KIT	KIT ANTIROTATION	KIT ANTIRROTACIÓN	1			X		
22	EAS2100G95A	PEDAL-REVERSER PROTECTION	PROTECTION PÉDALE INVERSEUR	PROTECCIÓN PEDAL INVERSOR	1				x	
23	EAS2089G36A	SHEET, UPPER FIXING, BLACK	TOLE FIXAGE SUP. NOIRE	CHAPA AJUSTE SUP. NEGRO	1				x	
24	1-41341A	CONICAL WASHER	RONDELLE CONIQUE	ARANDELA CÓNICA	2		DIN 6319-D			X
25	EAS2239G99A	FLAT PLUG	CONNECTEUR PLAT	CONECTOR PLATO	1					X

A = available - disponible - disponible

B = on request - sur demande - a petición

C = suggested - suggeré - sugerido

EAZ0138G23A.C



08/2023

Pos	Code	Designation	Désignation	Designación	N.	Note	Nota	A	B	C
1	EAK0279G66A	BELT TIGHTENER KIT	KIT TENDEUR-COURROIE	KIT TENSOR DE CORREA	1			X		
2	EAK0279G67A	ANTIROTATION KIT	KIT ANTIROTATION	KIT ANTIRROTACIÓN	1			X		
3	EAK0341G09A	REDUCTION UNIT PULLEY KIT	KIT POULIE REDUCTEUR	KIT POLEA REDUCTOR	1			X		
4	EAA0523G10A	CSA INVERTER BOX ASSY	ENSEMBLE BOITE CONVERTISSEUR	GRUPO CAJA INVERSOR	1	CSA			x	
5	EAA0523G08A	MOTOR ASSY	GROUPE MOTEUR	GRUPO MOTOR	1	CSA - Sew			x	
6	2-97366A	MOTOR 3PH 60HZ	MOTEUR 3PH 60HZ	MOTOR 3F 60HZ	1	CSA HAZLOC			x	
7	EAS2131G28A	MOTOR SUPPORT	SUPPORT MOTEUR	SOPORTE MOTOR	1			X		
8	EAM0125G93A	PULLEY,1 GROOVE 60Hz,MACHINED	POULIE, 1 RAINURE 60Hz, USINEES	POLEA,1 GARGANTA, 60Hz,TRABAJADOS	1	230V			X	
9	EAA0523G17A	CSA PEDAL UNIT - 3P, REMOTE POTENT.	JEU PEDAL 3 PEDALS AVEC POTENTIOM.	JUEGO DE PEDALES 3P CON POTENCIOM.	1	CSA			x	
10	EAA0457G27A	GEARBOX	REDUCTEUR	REDUCTOR	1			X		
11	1-1572	KEY-10x8x45	LANGUETTE	LENGUETA	1				x	
12	EAK0306G75A	SCREWS KIT FOR GEARBOX	KIT VIS REDUCTEUR	KIT TORNILLOS REDUCTOR	1				x	
13	EAA0481G15A	INVERTER FOR ENHANCED POTENTIOMETEF	ONDULEUR POTENTIOMÈTRE ÉVOLUÉ	INVERTER POTENCIÓMETRO EVOLUCIONADC	1			x		
14	EAA0524G20A	INVERTER BOX COVER	CARTER FERMETURE BOITE	CHAPA DE CIERRE CAJA	1				x	
15	2-28647A	1 PHASE LOCKING PLUG 250V 20A	GOUPILLE MONOPHASE AMERIQUE DU NORI	PASADOR MONOFASE NA	1				x	
16	2-14861A	BIPOLAR POWER SWITCH	INTERRUPTEUR BIPOLAIRE 25A	INTERRUPTOR BIPOLAR 25A	1				x	
17	EAC0099G95A	BELT, A27	COURROIE A27	CORREA A27	1				x	X

A = available - disponible - disponible

B = on request - sur demande - a petición

C = suggested - suggeré - sugerido

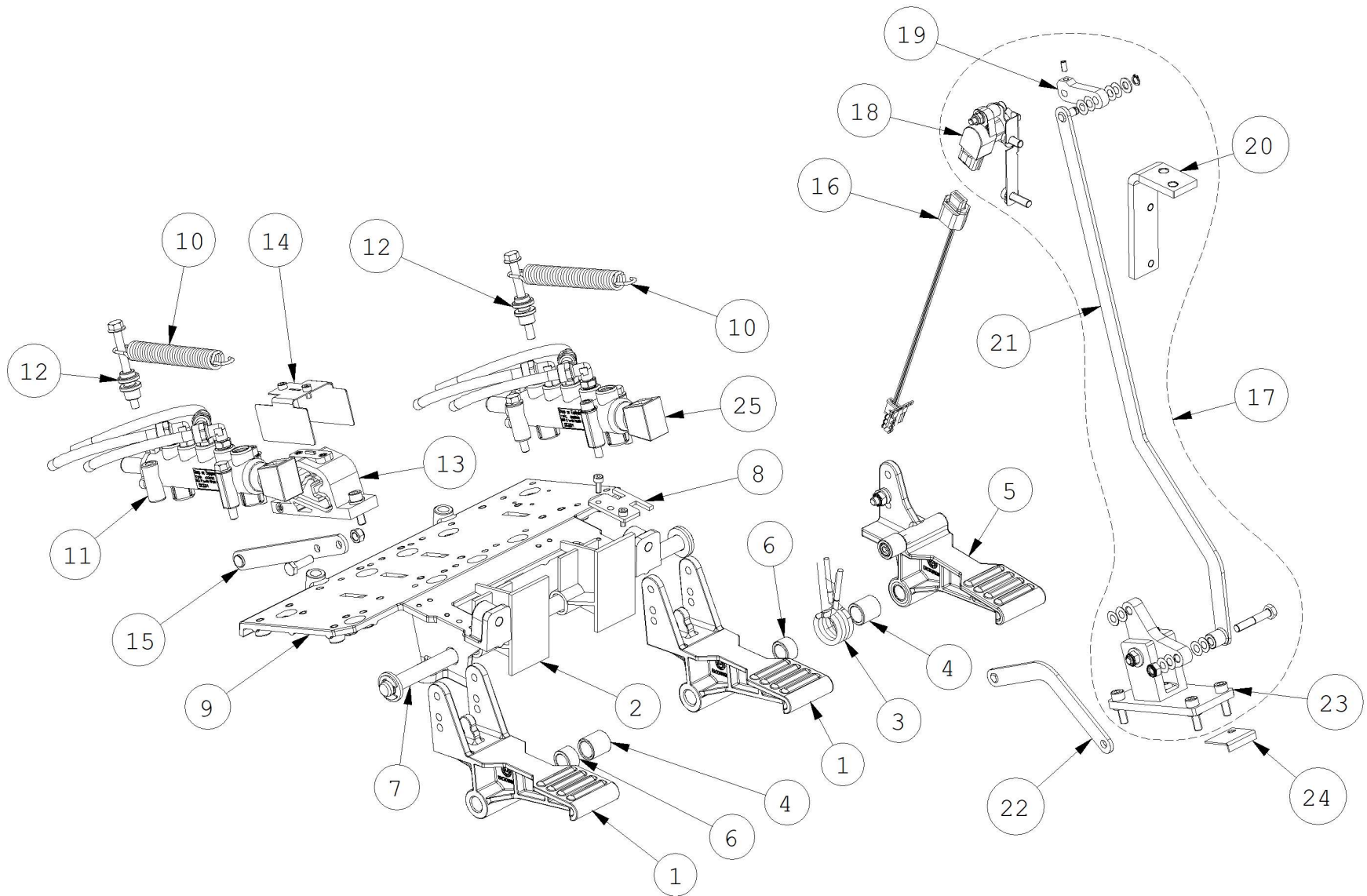
Pos	Code	Designation	Désignation	Designaciòn	N.	Note	Nota	A	B	C
18	EAS2089G36A	SHEET, UPPER FIXING, BLACK	TOLE FIXAGE SUP. NOIRE	CHAPA AJUSTE SUP. NEGRO	1			x		
19	EAS2100G95A	PEDAL-REVERSER PROTECTION	PROTECTION PÉDALE INVERSEUR	PROTECCIÓN PEDAL INVERSOR	1				x	

A = available - disponible - disponible

B = on request - sur demande - a petición

C = suggested - suggeré - sugerido

EAZ0138G24A



03/2021

Pos	Code	Designation	Désignation	Designación	N.	Note	Nota	A	B	C
1	EAM0068G95A	STANDARD PEDAL - MACHINED	PEDAL STD.	PEDAL STD	2			X		
2	EAC0096G11A	SPACER-PEDAL	ENTRETOISE PÉDALES	DISTANCIADOR PEDALES	2			X		
3	EAM0048G78A	SPRING, PEDAL SWITCH	RESSORT, PEDAL INTERRUPTEUR	MUELLE PEDAL INTERRUPTOR	1			X		x
3	EAM0075G56A	SPRING, PEDAL SWITCH 2SPEED	RESSORT INTERRUPTEUR PÉDALE 2SP	MUELLE PEDAL INTERRUPTOR 2SP	1			X		x
4	EAM0048G79A	BUSHING, CENTERING- SPRING	COQUILLE SIEGE RESSORT	CASQUILLO CENTRADO MUELLE	1			X		
5	EAA0356G92A	RIGHT SWITCH FOOT PEDAL	PEDALE INTERRUPTEUR DROIT	PEDAL INTERRUPTOR DER.	1			X		
6	EAM0070G46A	SPACER L=11 mm	ENTRETOISE L=11 mm	DISTANCIADOR L=11 mm	1			X		
7	EAM0068G10A	SHAFT-HINGE, PEDAL	PIVOT PEDALES	EJE PEDALES	1			X		
8	EAM0070G32A	COMMUTATOR SPRING GUIDE	GUIDE RESSORT INVERSEUR	GUÍ MUELLE INVERTIDOR	1			X		
9	EAM0068G80A	PEDAL ASM SUPPORT - MACHINED	SUPPORT JEU PÉDALES - USINÉ	SOPORTE JUEGO DE PEDALES-MECANIZADO	1			X		
9	EAM0068G80A	PEDAL ASM SUPPORT - MACHINED	SUPPORT JEU PÉDALES - USINÉ	SOPORTE JUEGO DE PEDALES-MECANIZADO	1				X	
10	EAM0147G64A	SPRING RECALL PEDALS	RESSORT RETOUR PEDALES	MUELLE DE RETORNO PEDALES	2			X		
11	EAA0440G88A	TURNTABLE PEDAL HOSES + VALVE	TUYAUX PEDALE PLATEAU TOURNANT + VANI	CONJ.TUBOS Y VÁLVULA PEDAL AUTOCENTR	1			X		
12	EAC0099G82A	SPRING FIXING PAWL	CLIQUET RACCORD RESSORT	GARRA DE ENGANCHE MUELLE	1			X		
13	EAC0103G56A	CAM FOR PEDAL	CAME PEDALE	LEVA PEDAL	1			X		
14	EAS2115G09A	PROTECTION SHEET FOR CAM	TOLE PROTECTION CAME	CHAPA PROTECCIÓN EXCÉNTRICO	1				X	
15	EAS2111G73A	ROD POSITIONER PEDAL	BIELLE POSITIONNEMENT PEDALE	BIELA DE POSICIONAMIENTO PEDAL	1			X		X

A = available - disponible - disponible

B = on request - sur demande - a petición

C = suggested - suggéré - sugerido

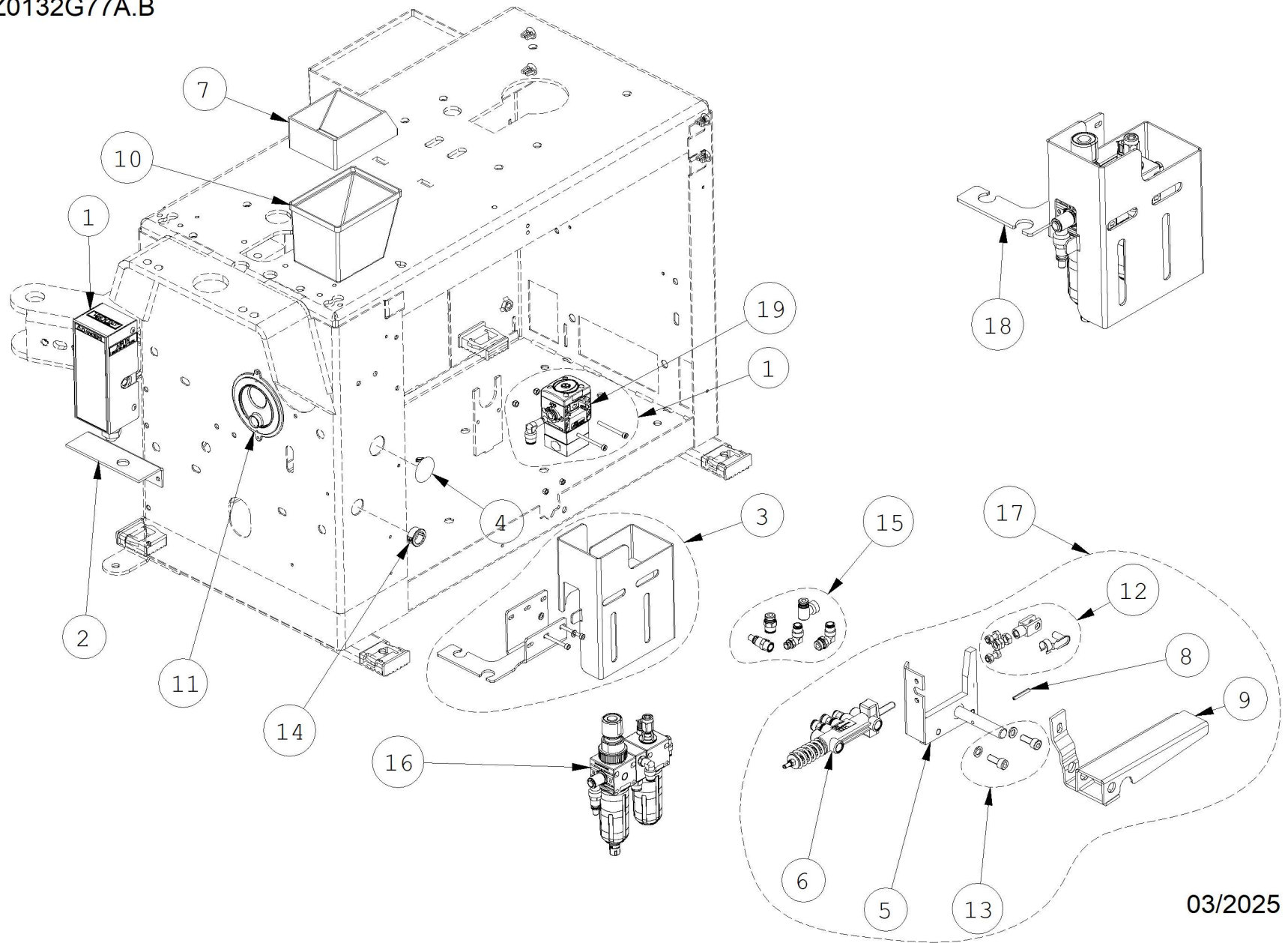
Pos	Code	Designation	Désignation	Designaciòn	N.	Note	Nota	A	B	C
16	EAW0286G08A	CABLE FOR CTS POTENTIOMETER	CABLE POUR POTENTIOMETRE CTS	CABLE POTENCIÓMETRO CTS	1			X		
17	EAA0524G08A	ASSY, REMOTE POTENTIOMETER	GROUPE POTENTIOMETRE	GRUPO POTENCIÓMETRO	1	230V			X	
18	EAA0425G42A	PEDAL CABLE WITH POTENTIOMETER	CABLE PEDALIER AVEC POTENTIOMETRE	CABLE PEDALERA CON POTENCIÓMETRO	1				X	
19	EAC0115G55A	POTENTIOMETER ROD	BIELLE POTENTIOMETRE	BIELA POTENCIÓMETRO	1			X		
20	EAM0192G58A	POTENTIOMETER SUPPORT	SUPPORT POTENTIOMETRE	SOPORTE POTENCIÓMETRO	1				X	
21	EAS2238G21A	SUPPORT FOR PEDAL UNIT	SUPPORT GROUPE PEDALES	SOPORTE GRUPO PEDALES,	1				X	
22	EAS2238G73A	FOOT PEDAL CONNECTING ROD	BIELLE PEDALE	BARRA PEDAL	1				X	
23	EAA0523G49A	SUPPORT	SUPPORT	SOPORTE	1				X	
24	EAS2140G74A	END STROKE FOR PEDAL	FIN DE COURSE PEDAL	FINAL CARRERA PEDAL	1				X	
25	EAA0440G87A	BEAD BREAKER PEDAL HOSES + VALVE	VALVE+ TUYAUX PEDALE DETALONNEUR	TUBOS+VÁLVULA PEDAL DESTALONADOR	1				X	

A = available - disponible - disponible

B = on request - sur demande - a petición

C = suggested - suggeré - sugerido

EAZ0132G77A.B



03/2025

Pos	Code	Designation	Désignation	Designaciòn	N.	Note	Nota	A	B	C
1	EAA0558G71A	PRESSURE LIMITER VALVE	VANNE REDUCTEUR DE PRESSION	VÁLVULA LIMITADORA PRESIÓN	1	external version		X		X
1	EAK0375G82A	ASSY, INFLATION VALVE	KIT VANNE GONFLAGE GT	KIT VÁLVULA INFLADO	1			X		
2	EAS2090G13A	BRACKET-VALVE, INFLATOR	SIEGE VANNE GONFLEUR	ESTRIBO VALVULA INFLADOR	1			X		
3	EAK0330G49A	NA LUB. FILTER FIXING KIT	KIT DE FIXATION FILTRE	KIT FIJACIÓN FILTRO	1			X		
4	1-08676A	CAP, CLOSING	COUVERCLE FERMETURE	TAPÓN DE CIERRE	1				X	
5	EAS2134G52A	GT PEDAL SUPPORT	SUPPORT PEDALE	SOPORTE PEDAL	1			X		
6	EAA0329G75A	VALVE, BEAD INFLATING	SOUPAPE CONTROLE GONFLE PNEU S/CHAM	VALVULA MANDO INFLACION NEUM.S/CAMA	1			X		X
7	1-31581A	PLUG-VALVE, HOUSING	BAC SOUPAPE	TAPA PORTAVÁLVULAS	2			X		
8	1-6652	PIN - STRAIGHT SLOTTED 4X30	BROCHE ELASTIQUE	PASADOR ELÁSTICA	1			X		
9	EAS2068G87A	INFLATOR PEDAL CATAPHOR. BLK	PEDALE POMPE LAQUAGE HEPOXY NOIR	PEDAL HINCHADOR TUBEL.NEGRO	1			X		
10	8-03129A	BOX-GREASE	BAC GRAISSE	CONTENEDOR PARA GRASA	2			X		
11	EAC0100G22A	CABLE PROTECTION	PROTECTION CÂBLES	PROTECCIÓN CABLES	1				X	
12	EAK0306G32A	SCREWS AND BOLTS FOR GT VALVE	KIT VIS SOUPAPE GT	KIT TORNILLOS VÁLVULA GT	1			X		
13	EAK0306G33A	SCREWS AND BOLTS FOR GT PEDAL	KIT VIS PEDALE GT	KIT TORNILLOS PEDAL GT	1			X		
14	8-11616A	SNAP BUSHING Øe 22.2mm - Øi 17.5mm	DOUILLE Øe 22.2mm - Øi 17.5mm	CASQUILLO	1			X		
15	EAK0315G99A	FITTINGS KIT FOR FILTER	KIT RACCORDS POUR FILTRE	KIT RACORES PARA FILTRO	1			X		X
16	EAA0439G90A	FILTER-PRESS.RED.-LUBRIC.ASSY+AIR IN L	GROUPE FILTRE RED. + LUBRIF AIR GAUCHE	GRUPO FILTRO RED. + LUBRIC. AIRE IZQ.	1				X	

A = available - disponible - disponible

B = on request - sur demande - a petición

C = suggested - suggeré - sugerido

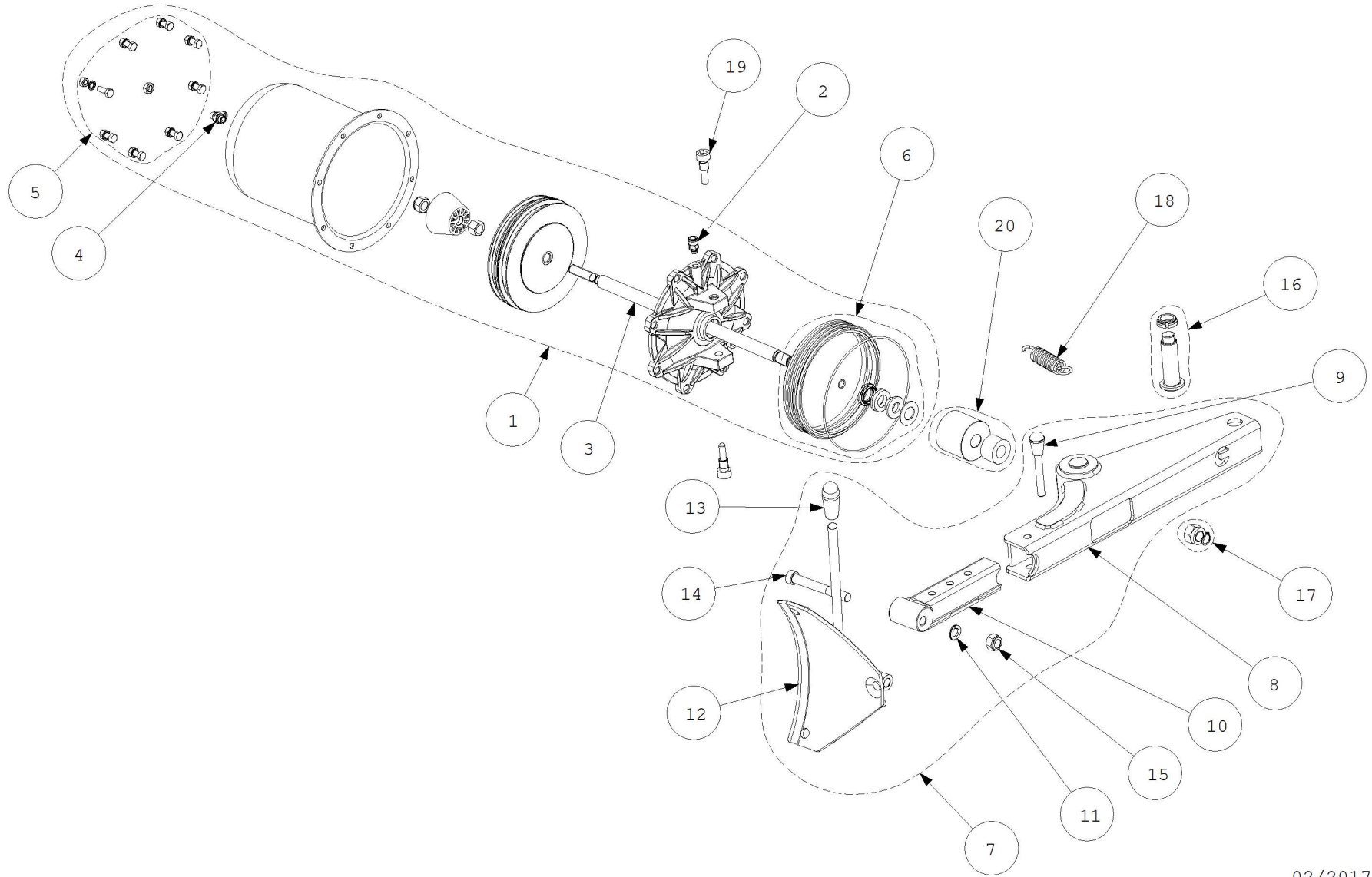
Pos	Code	Designation	Désignation	Designaciòn	N.	Note	Nota	A	B	C
17	EAA0384G14A	GROUP, BEAD INFLATING PEDAL	GROUPE PEDALE POMPE	GRUPO,PEDAL INFLADOR	1			X		x
18	EAA0489G30A	LUBRICATOR FILTER GROUP	GROUPE FILTRE LUBRIFICATEUR	GRUPO FILTRO LUBRIFICADOR NA	1				X	
19	1-41981A	QUICK INFLATION VALVE	CLAPET REDUCTEUR DE PRESSION	VÁLVULA LIMITADORA PRESIÓN	1			X		

A = available - disponible - disponible

B = on request - sur demande - a petición

C = suggested - suggeré - sugerido

EAZ0033G69A.B



02/2017

Pos	Code	Designation	Désignation	Designación	N.	Note	Nota	A	B	C
1	EAA0377G31A	TC 22" BEAD BREAKER CYLINDER	VERIN DETALONNEUR TC 22"	CILINDRO DESTALONADOR TC 22"	1			X		
2	1-11379A	FITTING-ST 6X8 1/8	RACCORD 6x8 1/8	CONEXIÓN 6X8 1/8	1			X		
3	EAM0085G80A	ROD BEAD-BREAKER CYLINDER	TIGE CYLINDRE DETALONNEUR	VARILLA CILINDRO DESTALONADOR	1		DIN 137	X		
4	1-20179A	FITTING "L" 6X8	RACCORD	CONEXION RÁPIDA	1			X		
5	EAK0306G16A	SCREWS AND BOLTS FOR BEAD BREAKER C' KIT VIS FLASQUE VERIN DETAL.		KIT TORNILLOS BRIDA CIL. DESTAL.	1				X	
6	EAK0306G19A	SEALS FOR BEAD BREAKER CYL.	KIT GARNITURES VERIN DETAL.	KIT JUNTAS CIL. DESTAL.	1			X		X
7	EAA0338G44A	BEAD BREAKER EXTENSIBLE	DETALLONEUR EXTENSIBLE	DESTALONADORA EXTENSIBLE	1				X	
8	EAS2108G27A	ARM SUPPORT, BEAD-BREAKER	SUPPORT BRAS DETALONNEUR	SOPORTE BRAZO DESTALONADORA	1			X		
9	EAA0328G72A	PIN - LOCK	GOUPILLE DE REGLAGE	ESPINA DE REGLAJE	1			X		
10	EAS2087G90A	EXTENSION-ARM,B/BREAKER	RALLONGE BRAS DETALONNEUR	EXTENSION-BRAZO DESTALONADOR	1			X		
11	1-5246	WASHER 14MM	RONDELLE d.14	ARANDELA ELAST.OND.TIPO B D.14	2			X		
12	EAS2087G93A	BLADE, BEADBREAKER	PALETTE DETALONNEUR	PALETA DESTALONADOR	1			X		
13	EAC0078G04A	HANDLE-RUBBER	POIGNEE POUR LEVIER	MANIJA PARA PALANCA	1				X	
14	1-22609	SCREW TCEI M14X110 8.8	VIS CHC M14X110 8.8	TORNILLO TCEI M14X110 8.8	1			X		
15	1-10433	NUT-S.LOCK,LOW- M14	ECROU AUTOBLOCANT M 14	TUERCA M14 AUT.BAS.CL.6	1			X		
16	EAK0306G20A	FULCRUM KIT FOR BEAD BREAKER ARM	KIT PIVOT BRAS DETALONNEUR	KIT PERNO BRAZO DESTALONADOR	1			X		
17	EAK0306G23A	FIXING KIT FOR BEAD BREAKER ARM	KIT FIXATION BRAS DETALONNEUR	KIT FIJACIÓN BRAZO DESTALONADOR	1			X		

A = available - disponible - disponible

B = on request - sur demande - a petición

C = suggested - suggeré - sugerido

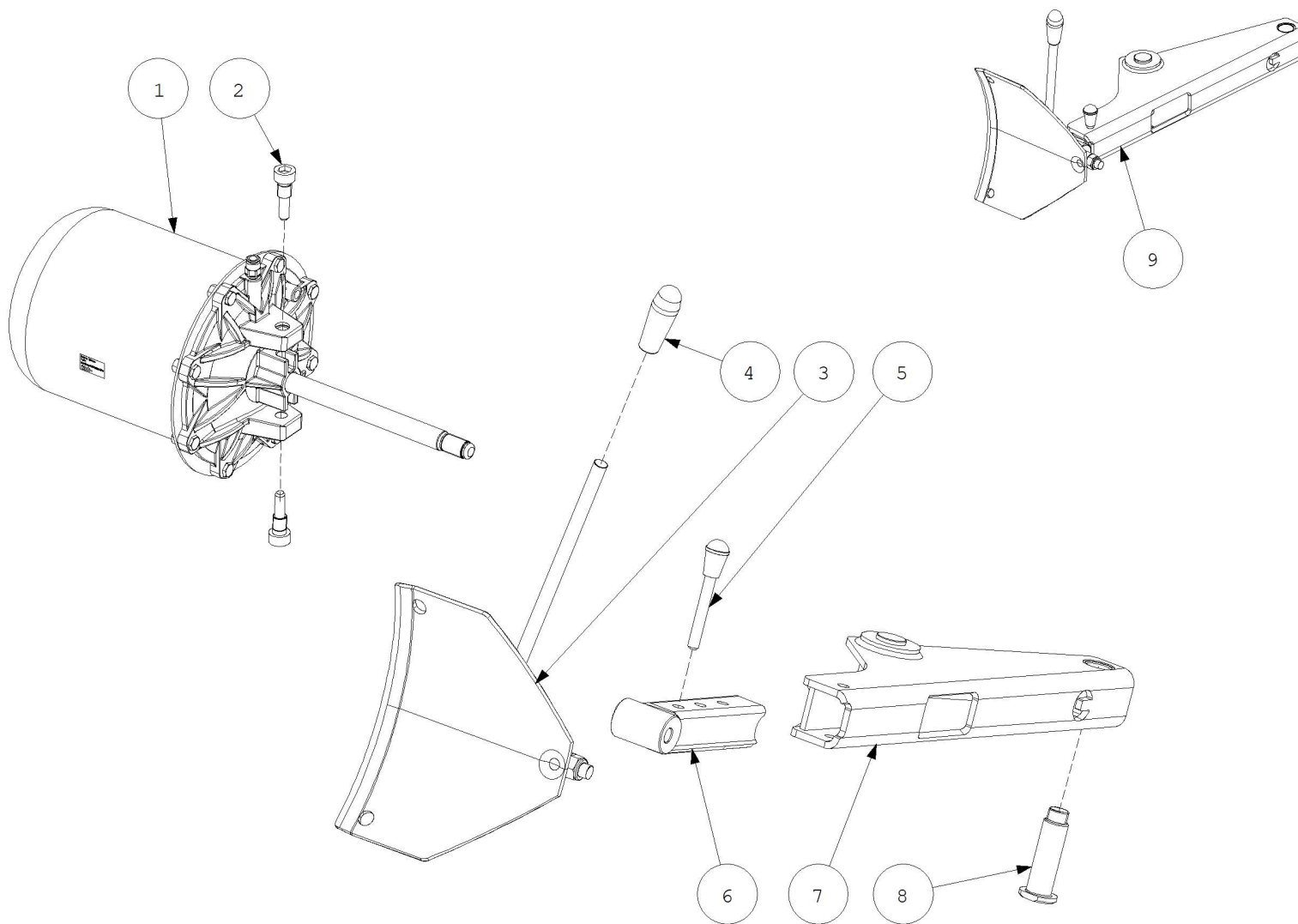
Pos	Code	Designation	Désignation	Designaciòn	N.	Note	Nota	A	B	C
18	EAM0067G69A	SPRING-RECALL ARM, BEAD BREAKER	RESSORT RAPPEL BRAS DETALONNEUR	MUELLE REGRESO BRAZO DESTAL.	1			X		
19	EAM0067G34A	BEAD BREAKER CYLINDER FITTING SCREW	FIS FIXATION VERIN DETALONNEUR	TORNILLO FIJACIÓN CIL.DESTALON.	2			X		
20	EAK0306G21A	END STROKE KIT FOR BEAD BREAKER ARM	KIT FIN DE COURSE POUR DETALONNEUR	KIT FINAL DE CARRERA DESTALONADORA	1	L=50mm		X		
20	EAK0341G78A	END STROKE KIT FOR BEAD BREAKER ARM	KIT FIN DE COURSE POUR DETALONNEUR	KIT FINAL DE CARRERA DESTALONADORA	1	L=75mm		X		

A = available - disponible - disponible

B = on request - sur demande - a petición

C = suggested - suggeré - sugerido

EAZ0137G07A.A



07/2019

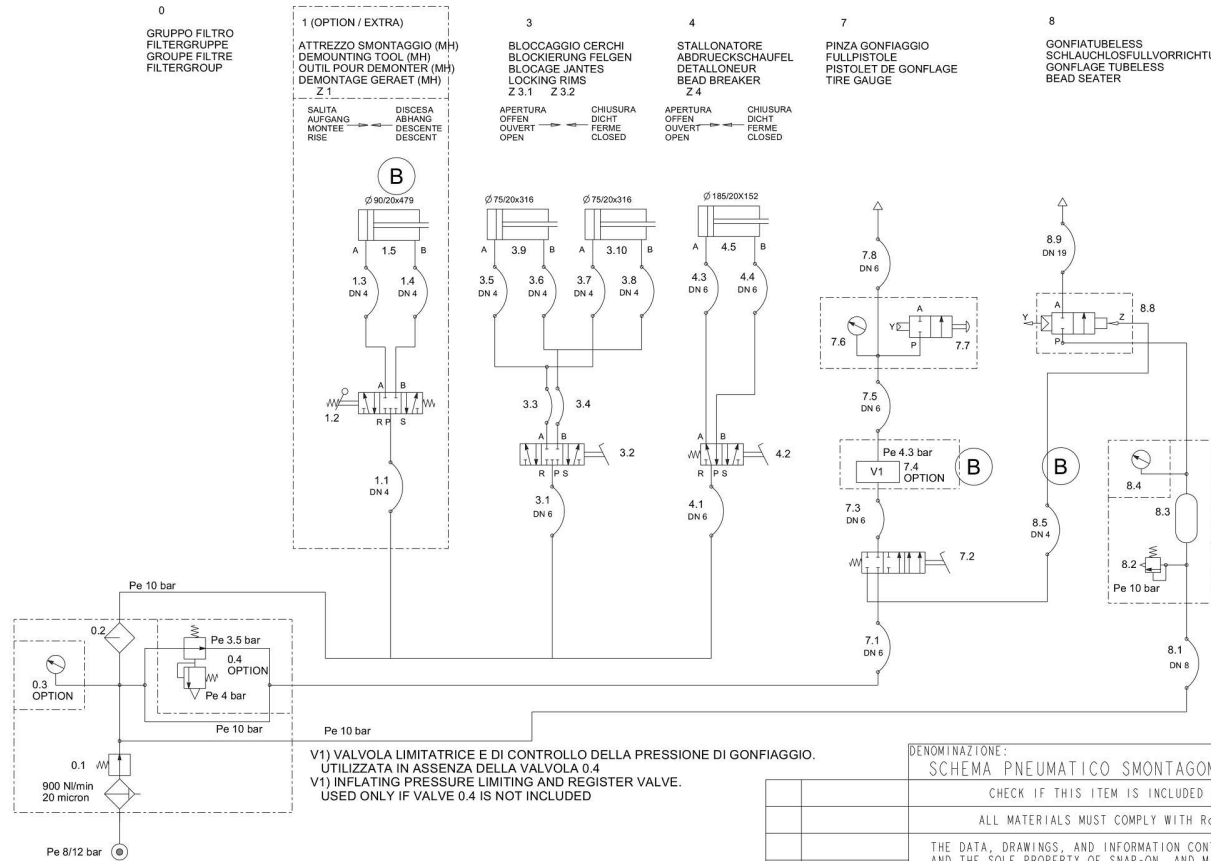
Pos	Code	Designation	Désignation	Designación	N.	Note	Nota	A	B	C
1	EAA0490G01A	CYLINDER, BEAD BREAKER	VERIN DETALONNEUR	CILINDRO DESTALONADOR	1			X		X
2	EAM0067G34A	BEAD BREAKER CYLINDER FITTING SCREW	FIS FIXATION VERIN DETALONNEUR	TORNILLO FIJACIÓN CIL.DESTALON.	2			X		
3	EAS2153G37A	BB BLADE GROUP	GROUPE LAME	GRUPO CUCHILLA	1			X		
4	EAC0078G04A	HANDLE-RUBBER	POIGNEE POUR LEVIER	MANIJA PARA PALANCA	1				X	
5	EAA0328G72A	PIN - LOCK	GOUPILLE DE REGLAGE	ESPINA DE REGLAJE	1			X		
6	EAS2169G69A	EXTENSION FOR B/BREAKER ARM	RALLONGE BRAS DETALONNEUR	ALARGADOR BRAZO DESTALONADOR	1			X		
7	EAS2196G59A	ARM SUPPORT BEAD BREAKER	SUPPORT BRAS DETALONNEUR	SOPORTE BRAZO DESTALONADOR R9005	1			X		
8	EAM0086G16A	FULCRUM-PIN BEAD-BREAKER	AXE PIVOT DETALONNEUR	PERNO PIVOTE DESTALONADOR	1			X		
9	EAA0490G02A	BEAD BREAKER GROUP	GROUPE DETALONNEUR	GRUPO DESTALONADOR	1	HD			X	

A = available - disponible - disponible

B = on request - sur demande - a petición

C = suggested - suggeré - sugerido

REV	CHANGES - MODIFICHE	DATE	NAME
A	Rilascio per produzione Release for manufacturing	2018 Oct 02	M. Neri
B	VOCE 7.4 4.3 bar ERA 3.9 bar. VOCE 1.5 Ø90/20X479 REA Ø63/20X451. RIMOSSO VOCE 8.6 E 8.7 ITEM 7.4 4.3 bar WAS 3.9 bar. ITEM 1.5 Ø90/20X479 WAS Ø63/20X451. REMOVED ITEM 8.6 AND 8.7	2025 Mar 12	Hester.Liu



V1) VALVOLA LIMITATRICE E DI CONTROLLO DELLA PRESSIONE DI GONFIAGGIO.
UTILIZZATA IN ASSENZA DELLA VALVOLA 0.4
V1) INFLATING PRESSURE LIMITING AND REGISTER VALVE.
USED ONLY IF VALVE 0.4 IS NOT INCLUDED

DENOMINAZIONE: SCHEMA PNEUMATICO SMONTAGOMME SWING	FAMIGLIA:	COD. GS: TEEWH003S
---	-----------	-----------------------

CHECK IF THIS ITEM IS INCLUDED IN THE "APPROVED SUPPLIER LIST" EA20137G69A.

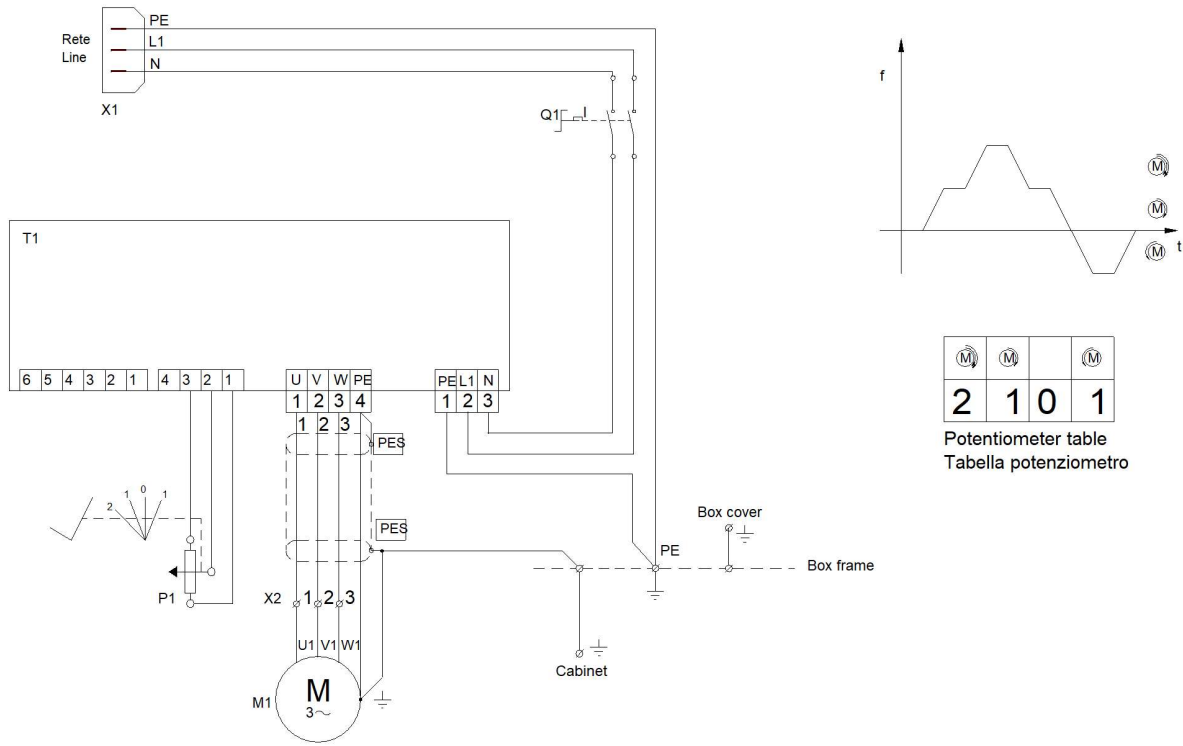
ALL MATERIALS MUST COMPLY WITH RoHS, REACH, CA PROP 65, AND CONFLICT MINERALS.

THE DATA, DRAWINGS, AND INFORMATION CONTAINED IN THIS DOCUMENT IS CONFIDENTIAL AND THE SOLE PROPERTY OF SNAP-ON, AND MAY NOT BE REPRODUCED, USED, OR DISCLOSED WITHOUT WRITTEN PERMISSION OF AN OFFICER OF SNAP-ON. COPYRIGHT 2025

UNLESS OTHERWISE SPECIFIED DIMENSIONS ARE IN MILLIMETERS GENERAL TOLERANCES	MATERIAL		
LASER CUT ISO 2768-mk MACHINING ISO 2768-mk BENDING ISO 2768-mk WELDING ISO 13920-AE PLASTIC (MOULD) DIN 16901 PLASTIC (ROTO) ± 1% CASTING ISO 8062-3 G8 MICRO-CASTING VDG-P690 D2	FINISH -		CORREGGIO, ITALY
B 25G0035	PROJ NO	SCALE 1,000	PNEUMATIC DIAGRAM FOR SWING TIRE CHANGER
A 18G0321	DR M. Neri	2018 May 25	
I 18G058P	CK M. Mariani	2018 May 25	RELEASE REV B
REV PCN HISTORY	APP P. Sotgiu	2018 May 25	
FIRST ANGLE PROJECTION	QUALITY DOC N/A		TEEWH003S
	SUPERCEDES N/A		SHEET 1 OF 2

8.9	1	TUBO FLESSIBILE	SCHLAUCH	TUYAU FLEXIBLE	FLEXIBLE HOSE	MANULI
8.8	1	VALVOLA A COMANDO PNEUMATICO	VENTIL MIT PNEUM. STEUERUNG	VANNE A COMMANDE PNEUMATIQUE	VALVE WITH PNEUMATIC DRIVE	KPM / AUTEL
8.5	1	TUBO FLESSIBILE	SCHLAUCH	TUYAU FLEXIBLE	FLEXIBLE HOSE	MAZZER
8.4	1	MANOMETRO	MANOMETER	MANOMETRE	MANOMETER	AIREX
8.3	1	SERBATOIO	TANK	RESRVOIR	TANK	Snap-on / FABBRI
8.2	1	VALVOLA DI SICUREZZA	SICHERHEITSVENTIL	VANNE DE SICURETE	SAFETY VALVE	STIMA
8.1	1	TUBO FLESSIBILE	SCHLAUCH	TUYAU FLEXIBLE	FLEXIBLE HOSE	MAZZER
7.8	1	TUBO FLESSIBILE	SCHLAUCH	TUYAU FLEXIBLE	FLEXIBLE HOSE	MANULI
7.7	1	VALVOLA A 2 VIE	ZWEISEITIGE VENTIL	VANNE A 2 VOIES	TWOWAY VALVE	Snap-on
7.6	1	MANOMETRO	MANOMETER	MANOMETRE	MANOMETER	VIKA
7.5	1	TUBO FLESSIBILE	SCHLAUCH	TUYAU FLEXIBLE	FLEXIBLE HOSE	MAZZER
7.4	1	AIR CONTROL	AIR CONTROL	AIR CONTROL	AIR CONTROL	Aircomp
7.3	1	TUBO FLESSIBILE	SCHLAUCH	TUYAU FLEXIBLE	FLEXIBLE HOSE	MAZZER
7.2	1	VALVOLA A 4 VIE	VIERSEITIGE VENTIL	VANNE A 4 VOIES	FOURWAY VALVE	Snap-on
7.1	1	TUBO FLESSIBILE	SCHLAUCH	TUYAU FLEXIBLE	FLEXIBLE HOSE	MAZZER
4.5	1	CILINDRO A DOPPIO EFFETTO	DOPPELTWIRKENDER ZYLINDER	VERIN A DOUBLE EFFET	DOUBLE EFFECT CYLINDER	Snap-on
4.4	1	TUBO FLESSIBILE	SCHLAUCH	TUYAU FLEXIBLE	FLEXIBLE HOSE	MAZZER
4.3	1	TUBO FLESSIBILE	SCHLAUCH	TUYAU FLEXIBLE	FLEXIBLE HOSE	MAZZER
4.2	1	VALVOLA A 5 VIE	FUNFSEITIGE VENTIL	VANNE A 5 VOIES	FIVEWAY VALVE	Snap-on
4.1	1	TUBO FLESSIBILE	SCHLAUCH	TUYAU FLEXIBLE	FLEXIBLE HOSE	MAZZER
3.10	1	CILINDRO A DOPPIO EFFETTO	DOPPELTWIRKENDER ZYLINDER	VERIN A DOUBLE EFFET	DOUBLE EFFECT CYLINDER	Snap-on
3.9	1	CILINDRO A DOPPIO EFFETTO	DOPPELTWIRKENDER ZYLINDER	VERIN A DOUBLE EFFET	DOUBLE EFFECT CYLINDER	Snap-on
3.8	1	TUBO FLESSIBILE	SCHLAUCH	TUYAU FLEXIBLE	FLEXIBLE HOSE	MAZZER
3.7	1	TUBO FLESSIBILE	SCHLAUCH	TUYAU FLEXIBLE	FLEXIBLE HOSE	MAZZER
3.6	1	TUBO FLESSIBILE	SCHLAUCH	TUYAU FLEXIBLE	FLEXIBLE HOSE	MAZZER
3.5	1	TUBO FLESSIBILE	SCHLAUCH	TUYAU FLEXIBLE	FLEXIBLE HOSE	MAZZER
3.4	1	TUBO FLESSIBILE	SCHLAUCH	TUYAU FLEXIBLE	FLEXIBLE HOSE	MAZZER
3.3	1	TUBO FLESSIBILE	SCHLAUCH	TUYAU FLEXIBLE	FLEXIBLE HOSE	MAZZER
3.2	1	VALVOLA A 5 VIE	FUNFSEITIGE VENTIL	VANNE A 5 VOIES	FIVEWAY VALVE	Snap-on
3.1	1	TUBO FLESSIBILE	SCHLAUCH	TUYAU FLEXIBLE	FLEXIBLE HOSE	
1.5	1	CILINDRO A DOPPIO EFFETTO	DOPPELTWIRKENDER ZYLINDER	VERIN A DOUBLE EFFET	DOUBLE EFFECT CYLINDER	Snap-on
1.4	1	TUBO FLESSIBILE	SCHLAUCH	TUYAU FLEXIBLE	FLEXIBLE HOSE	MAZZER
1.3	1	TUBO FLESSIBILE	SCHLAUCH	TUYAU FLEXIBLE	FLEXIBLE HOSE	MAZZER
1.2	1	VALVOLA A 5 VIE	FUNFSEITIGE VENTIL	VANNE A 5 VOIES	FIVEWAY VALVE	STAMPOTECNICA
1.1	1	TUBO FLESSIBILE	SCHLAUCH	TUYAU FLEXIBLE	FLEXIBLE HOSE	MAZZER
0.4	1	RIDUTTORE + VALVOLA DI SICUREZZA	REDUKTOR + SICHERHEITSVENTIL	REDUCTEUR + SOUPAPE DE SICURETE	REDUCER + SAFETY VALVE	STAMPOTECNICA
0.3	1	MANOMETRO	MANOMETER	MANOMETRE	MANOMETER	AIREX
0.2	1	LUBRIFICATORE	SCHMIERVORRICHTUNG	LUBRIFIANT	LUBRICATOR	STAMPOTECNICA
0.1	1	FILTRO + RIDUTTORE	FILTER + REDUKTOR	FILTRE + REDUCTEUR	FILTER + REDUCER	STAMPOTECNICA
N.	Q.TA' Stuck Q.TE' Q.TY	DENOMINAZIONE	BENENNUNG	DESCRIPTION	DESCRIPTION	PRODUTTORE HERSTELLER PRODUCTEUR PRODUCER

		PROJ NO. -	SCALE NO	Correggio (RE) - ITALY		
		DR Hester. Liu		PNEUMATIC DIAGRAM FOR SWING TIRE CHANGER	Releas e	REV B
		DATE 2025/03/13			TEEWH003S SHEET 2 OF 2	
B	25G0035	QUALITY DOC -				
RE V	PCN HISTORY	SUPERCEDES -				



- | | | |
|----|----------------------|-------------------------|
| M1 | Motor | Motore |
| Q1 | Main switch | Interruttore principale |
| P1 | Potentiometer | Potenziometro |
| T1 | Inverter | Inverter |
| X1 | Main plug | Spina di alimentazione |
| X2 | Motor terminal block | Morsetteria motore |

REV	NAME	DATE	CHANGES - MODIFICHE
A	F. Cagnolati	2021.01.18	Production release

DENOMINAZIONE: SCHEMA ELETTRICO CSA		FAMIGLIA: 824	COD. GS: TEEWH588ACWD
THE DATA, DRAWINGS, AND INFORMATION CONTAINED IN THIS DOCUMENT IS CONFIDENTIAL AND THE SOLE PROPERTY OF SNAP-ON, AND MAY NOT BE REPRODUCED, USED, OR DISCLOSED WITHOUT WRITTEN PERMISSION OF AN OFFICER OF SNAP-ON.			COPYRIGHT 2021
UNLESS OTHERWISE SPECIFIED DIMENSIONS ARE IN MILLIMETERS GENERAL TOLERANCES		MATERIAL ALL MATERIALS MUST COMPLY WITH RoHS, REACH, CA PROP 65, AND CONFLICT MINERAL	
OVER 0.5 TO 6.0 ± 0.1		FINISH	
OVER 6.0 TO 30 ± 0.2		CORREGGIO, ITALY	
OVER 30 TO 120 ± 0.3		PROJ NO	
OVER 120 TO UP ± 0.5		DR F. Cagnolati 2021.01.18	
ANGULAR ± 1°		CK	
HOLES ± 0.1		APP	
SHEET METAL ± 0.5		A3	
SURFACE: ISO 1302		QUALITY DOC	
A 21G0004		SUPERCEDES	
REV PCN HISTORY		ELECTRIC DIAGRAM CSA	
FIRST ANGLE PROJECTION		RELEASE REVA	
DWG		TEEWH588ACWD	
		SHEET 1 OF 1	

THE DATA, DRAWINGS, AND INFORMATION CONTAINED IN THIS DOCUMENT IS CONFIDENTIAL AND THE SOLE PROPERTY OF SNAP-ON, AND MAY NOT BE REPRODUCED, USED, OR DISCLOSED WITHOUT WRITTEN PERMISSION OF AN OFFICER OF SNAP-ON.

COPYRIGHT
2020

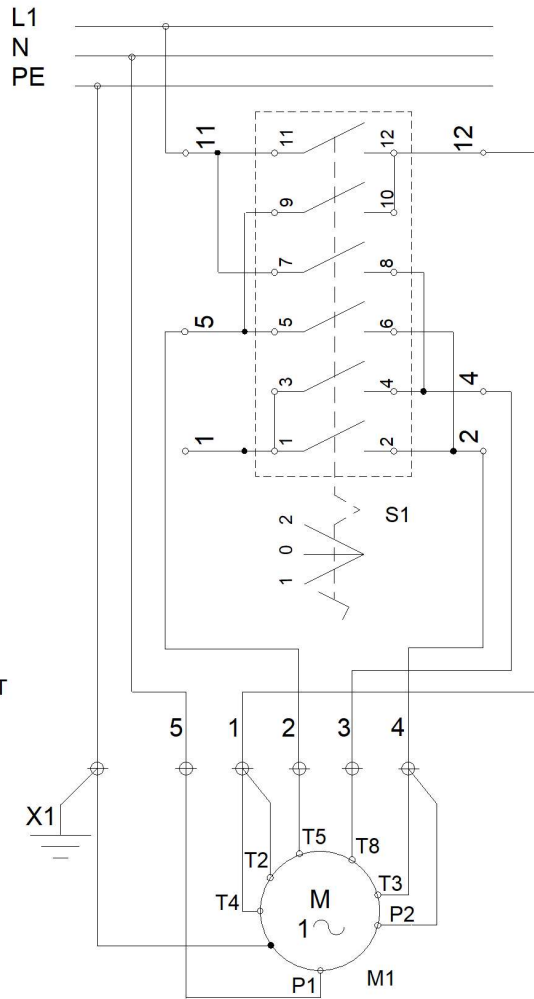
TEEWH784AWD
SHEET 1 OF 1

REV	CHANGES - MODIFICHE	DATE	NAME
A	Production release.	2020.11.24	F. Cagnolati
B	Changed motor connection to 5 wires.	2021.02.17	F. Cagnolati

3	11-12	X		X
	9-10			X
2	7-8	X		
	5-6	X		
1	3-4			X
	1-2	X		X
		1	0	2

SWITCHING TABLE
TABELLA COMMUTAZIONI

S1 INVERTITORE ROTARY SWITCH
M1 MOTORE MOTOR
X1 MESSA A TERRA GROUNDING POINT



NIDEC MOTOR

DENOMINAZIONE: SCHEMA ELETTRICO MOTORE MONOFASE 115V FAMIGLIA: COD. GS: TEEWH784AWD

UNLESS OTHERWISE SPECIFIED
DIMENSIONS ARE IN MILLIMETERS
GENERAL TOLERANCES
OVER 0.5 TO 6.0 ± 0.1
OVER 6.0 TO 30 ± 0.2
OVER 30 TO 120 ± 0.3
OVER 120 TO UP ± 0.5
ANGULAR ± 1°
HOLES ± 0.1
SHEET METAL ± 0.5
SURFACE: ISO 1302

MATERIAL
ALL MATERIALS MUST COMPLY WITH RoHS,
REACH, CA PROP 65, AND CONFLICT MINERALS.

Snap-on

CORREGGIO, ITALY

FINISH
PROJ NO
DR F. Cagnolati 2020.11.24
CK

1 PHASE MOTOR 115V
ELECTRIC DIAGRAM

B	21G0021		A4	APP	RELEASE	REV B
A	20G0232			DWG	QUALITY DOC	TEEWH784AWD
REV PCN HISTORY		FIRST ANGLE PROJECTION	DWG	SUPERCEDES	SHEET 1 OF 1	

Notice: The information contained in this document is subject to change without notice. **Snap-on Equipment** makes no warranty with regard to present documentation. **Snap-on Equipment** shall not be liable for errors contained herein or for incidental consequential damages in connection with furnishings, performance, or use of this material.

Attention: Les informations figurant dans le présent document peuvent faire l'objet de modifications sans préavis. **Snap-on** ne délivre aucune garantie sur le présent matériel. **Snap-on** décline toute responsabilité des erreurs que ces matériaux de documentation pourraient contenir et en cas de dommages accidentels ou indirects dérivant de leur fourniture, de leur interprétation et de leur utilisation.

Nota: La información aquí contenida está sujeta a cambios sin aviso. **Snap-on** no ofrece ninguna garantía sobre esta documentación. **Snap-on** no podrá ser considerado responsable por errores contenidos en esta publicación ni por daños consecuenciales incidentales en relación con el equipamiento, rendimiento o uso de este material.

• Manufacturing Facilities • Sites de production • Instalaciones de fabricación •

Snap-on Equipment SrL · Via Per Carpi 33 - 42015 Correggio RE - Italy
Snap-on Equipment · 309 Exchange Avenue Conway, Arkansas 72032

• Technical alterations reserved - Refer to the data plates for effective manufacturing location • Modifications techniques réservées - Consulter les plaques signalétiques pour connaître le lieu de fabrication • Modificaciones técnicas reservadas – Consultar las placas de datos para la ubicación efectiva de la fabricación •