

HOFMANN®



monty 1625 *2 Speed*

Spare Parts List

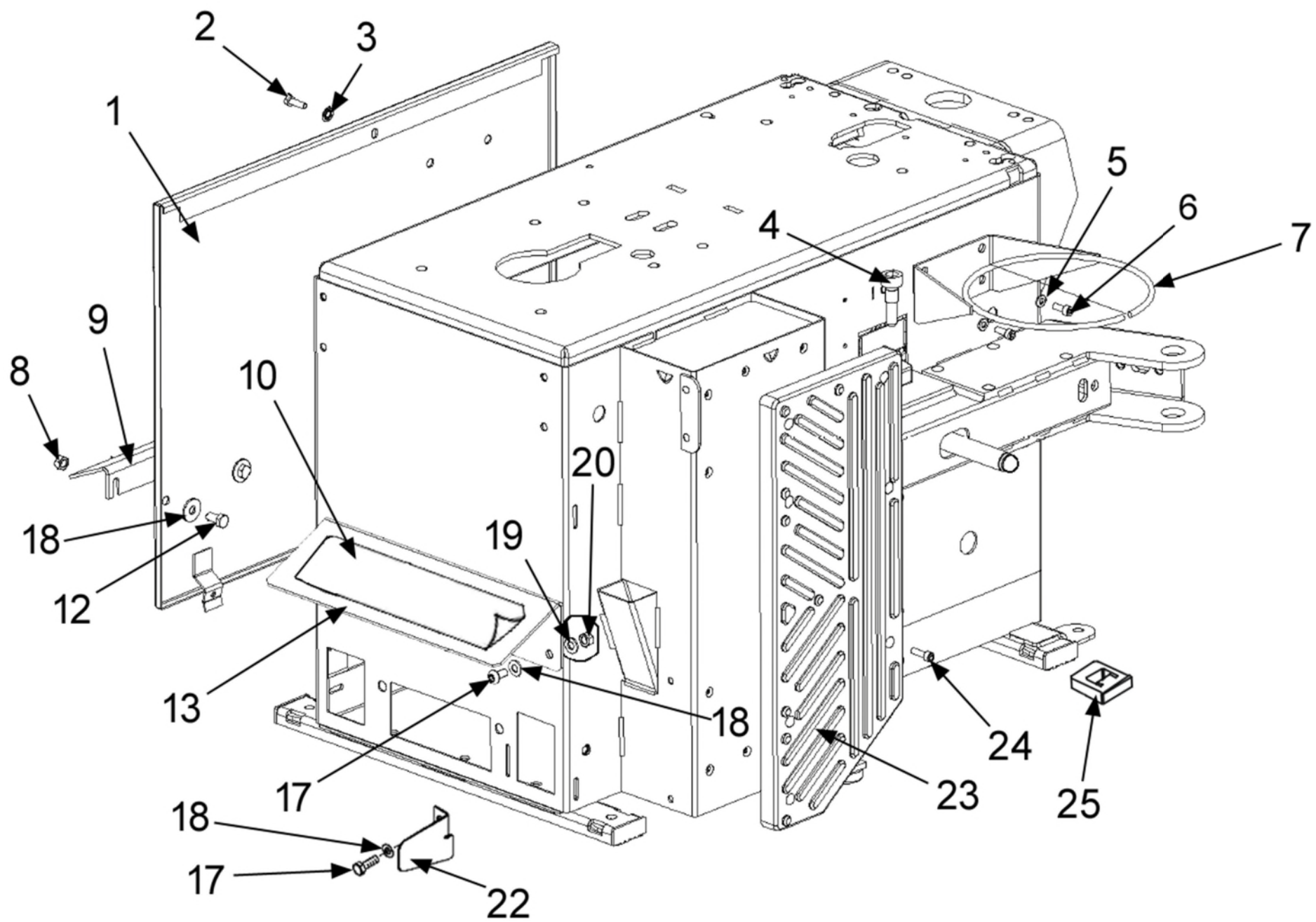
Produced From 7/2013

Through 6/2017



BOM EEWH748A Monty 1625 2 Speed

Part Number	Quantity	Description
EAA0270J38A	1	TC Assy HNA Monty 1625 2 Speed
ZEEWH748A9	1	Lit Pack For HNA EEWH748A
EAC0078G13A	5	Back Plastic Rim Protector
EAC0097G47A	1	Wave Tire Mounting Lever
EAC0113G61A	5	Rim Protector Plastic
EAK0329G86A	1	Lightalloy Rim Protector Front Only
5-14126A	1	Brush Tire Lube Applicator
00066006000	1	Bottle - Lube
8-03229A	1	Lubricant - Tire Mounting 75N
16511	1	Label - Danger
25701	1	Label - No Adjust
27382	1	Decal Monty 1625
EAC0100G55A	1	Label Sealing Hole
EAL0343J76B	1	Serial Label Document
EAL0352J18A	1	Warning Label
EAL0383G01A	1	Rotation Direction Label
EAL0383G10A	1	Label Hofmann
EAL0383G32A	1	Label Danger
EAL0383G34A	1	Label Danger
EAL0408G12A	1	Label Patents
EAL0408G24A	1	Label Oil
EAL0408G25A	1	Label Pressure Min Max
EAL0412G13A	1	Stickers Pedal
EAL0413G31A	1	Label Ground
EAL0413G34A	1	Label Inflator
EAL0423G74A	1	Decal 2 Speed



EAL0383G10A

HOFMANN®



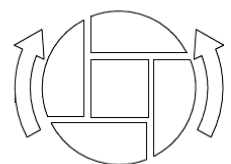
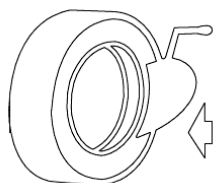
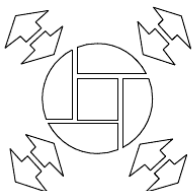
27382

monty
1625

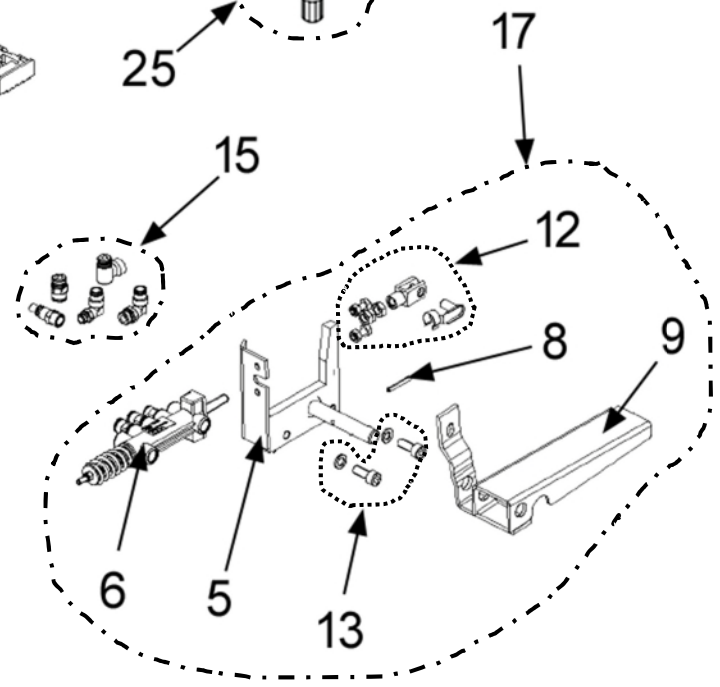
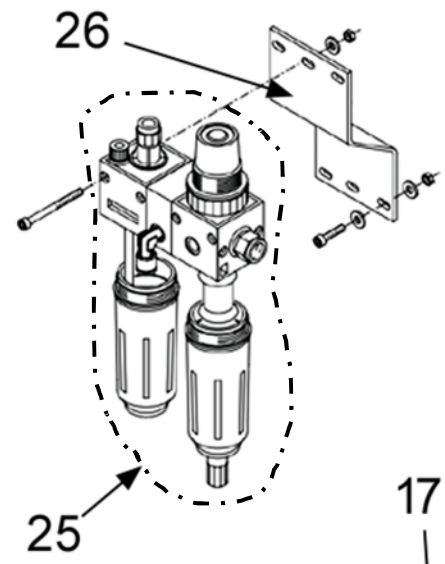
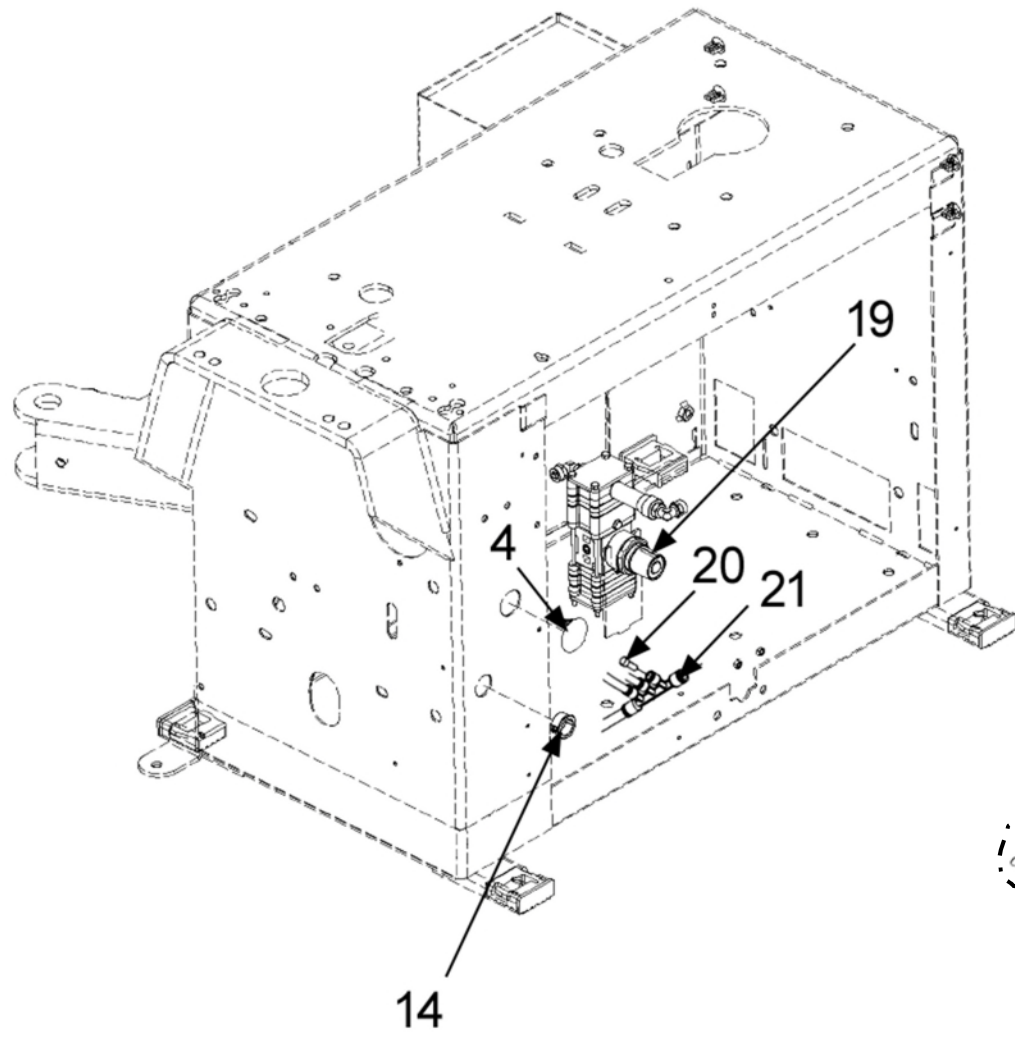
EAL0423G74A

2 speed

EAL0412G13A

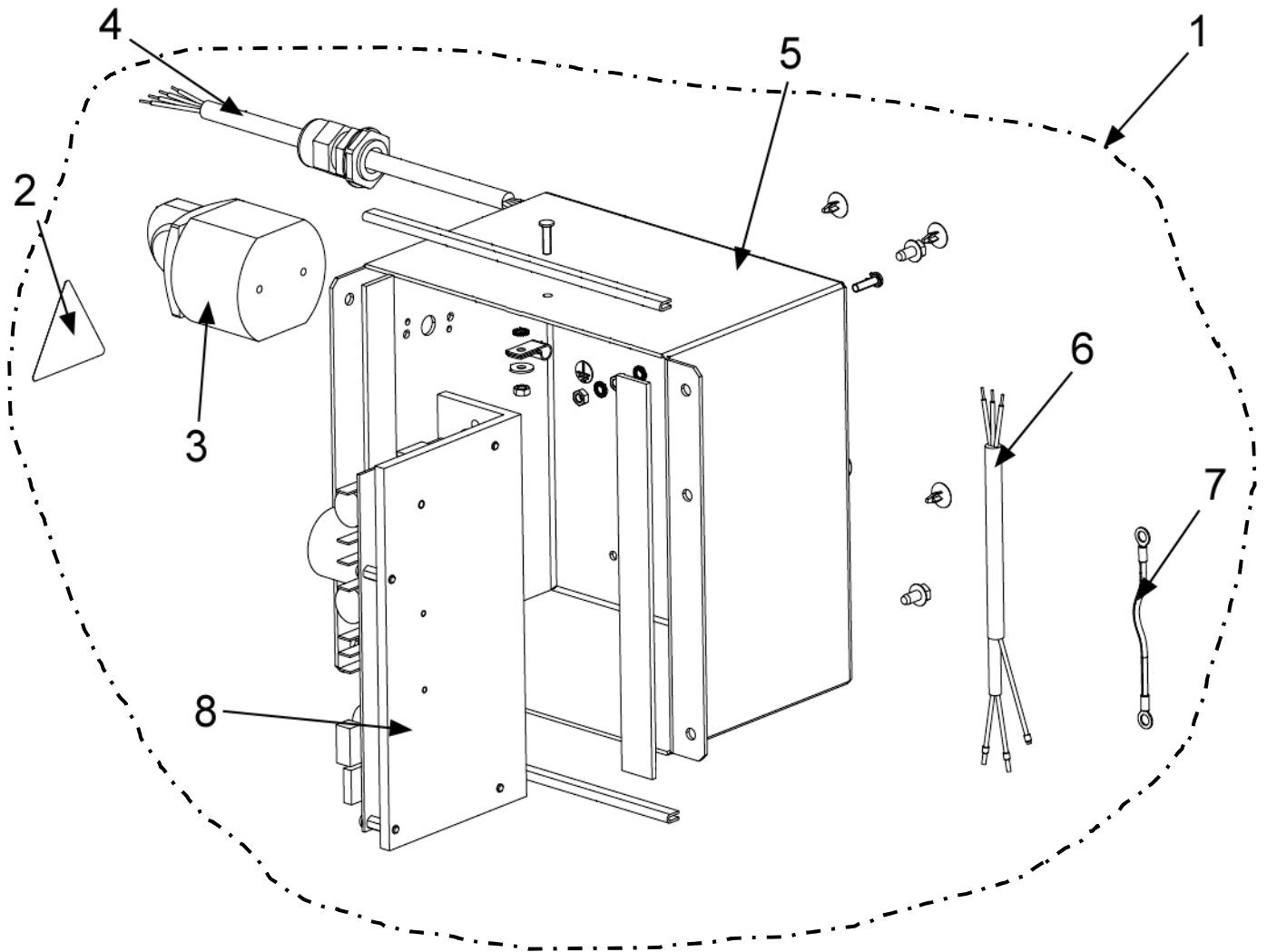


Ref	Qty	Part Number	Description	
1	1	EAS2029J62A	Black Side Panel	EAS2126G60A
2	1	1-30901A2	Screw 6 x 20 Hex Head	
3	1	1-1548	Washer - Lock D 6	
4	2	EAM0067G34A	Screw, Fitting - Cylinder B/Break	
5	2	1-9841	Washer, Plain D 6 Zinc.	
6	2	1-16409A	Screw 6 x 20	
7	1	EAA0349G76A	Ring - Box, Grease	
8	2	1-11733	Nut M8 Black	
9	1	EAS2115G83A	Protector, Pedal	
10	1	EAL0412G13A	Sticker - Pedals	
12	2	1-32601	Screw M8 x 20	
13	1	EAS2115G04A	Pedal Protection	EAC0114G09A
17	3	1-32701	Screw - M8 x 25 mm Hex Head	
18	5	1-10041	Washer, Plain M8	
19	2	1-3048	Lock Washer	
20	2	1-15933A	Nut Hex M8 - 1.25 mm	
22	1	EAS2100G95A	Pedal - Reverser Protection	
23	1	EAC0099G22A	Pad - Support, Bead Breaker	
24	7	1-09624A	Screw M6 x 20	
25	4	EAC0097G52A	Foot Square	



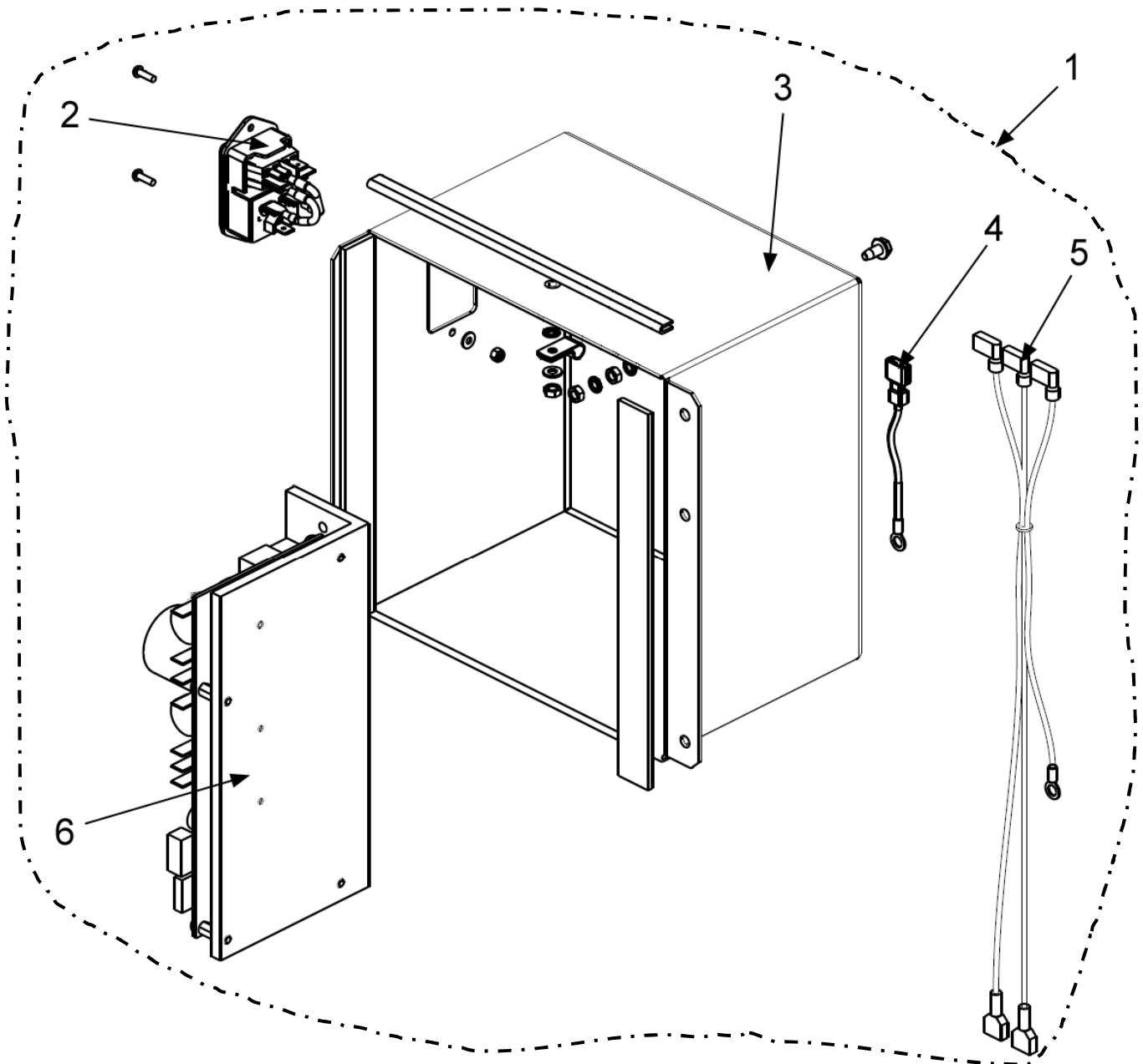
Ref	Qty	Part Number	Description	
4	1	1-08676A	Cap, Closing	
5	1	EAS2134G52A	GT Pedal Support	
6	1	ST4029115	Valve, Bead Inflating	EAA0329G75A
8	1	ST7023119	Pin - Straight Slotted 4 x 30	1-6652
9	1	ST4029114	Inflator Pedal Cataphor	EAS2068G87A
12	1	EAK0306G32A	Screws And Bolts For GT Valve	
13	1	EAK0306G33A	Screws And Bolts For GT Pedal	
14	1	8-11616A	Snap Bushing	
15	1	EAK0315G99A	Fittings Kit For Filter	
17	1	EAA0384G14A	Group, Bead Inflating Pedal	
19	1	EAA0350G78A	Pressure Limit Valve (With Box)	EAA0384G22A
20	1	1-09176A	Cap, Fitting D 6	
21	1	1-12379A	Multi - Tee 08-06	
25	1	EAA0439G92A	Air Filter Regulator	
26	1	EAS2107G67A	Bracket Filter Fixing	

Used up to November 2013 (T60LGxxx)

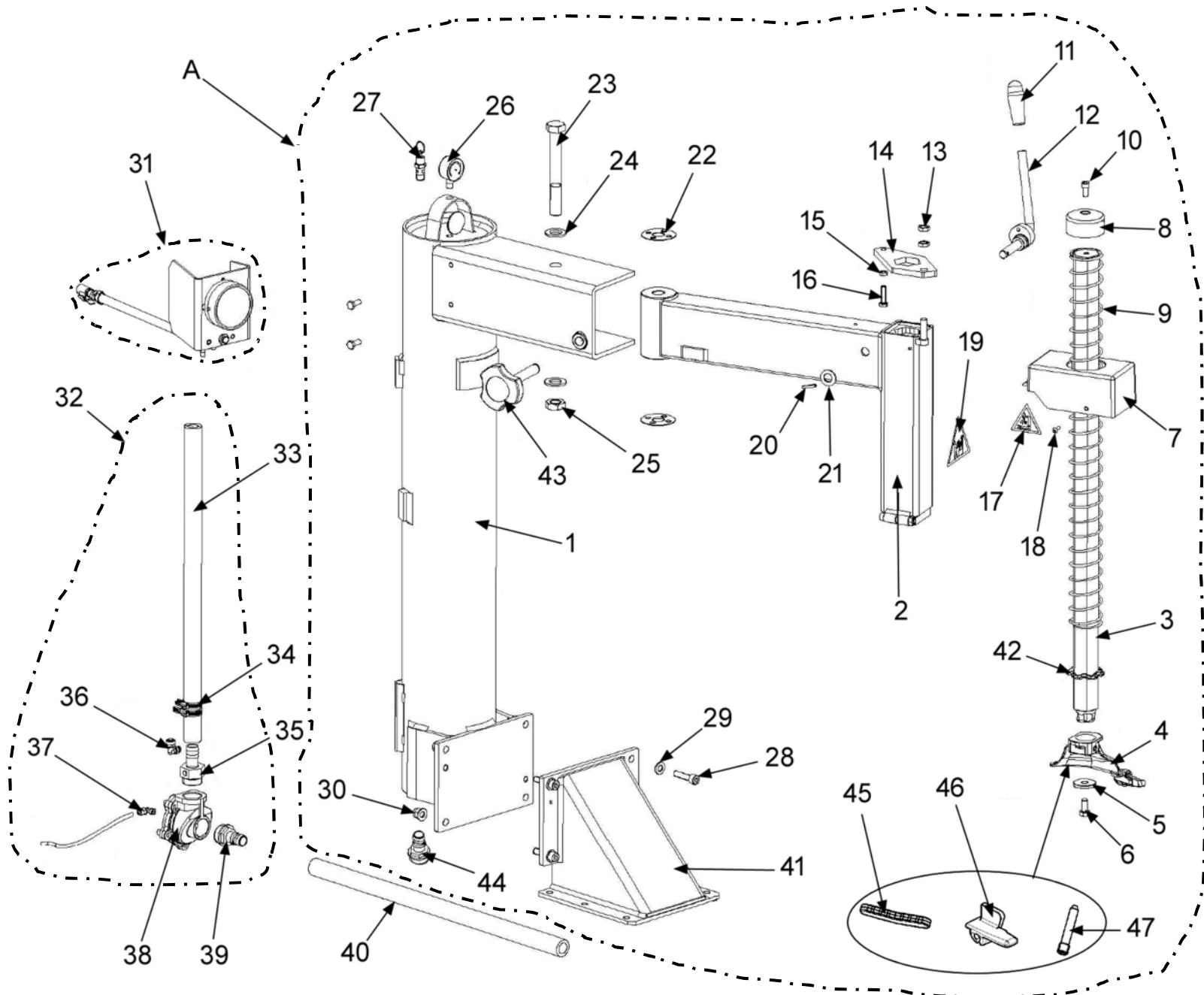


Ref	Qty	Part Number	Description	
1	1	EAA0383G04A	Inverter Box Assembly NLA	R/B EAA0270J40A
2	1	8-23562A	Sticker, Danger VDE	
3	1	2-14861A	Bipolar Power Switch	
4	1	EAW0282G20A	Main Cable CSA	
5	1	EAS2132G53A	Inverter Box	
6	1	EAW0282G23A	Main Switch - Inverter cable	
7	1	EAW0282G22A	Cable, earth for cabinet	
8	1	EAA0378G69A	Inverter and Heatsink	Alternate # below
		EAA0438G01A	Inverter and Heatsink	Smartspeed

Used From December 2013 (T60MGxxx) — June 2017 (T60FLxxx)



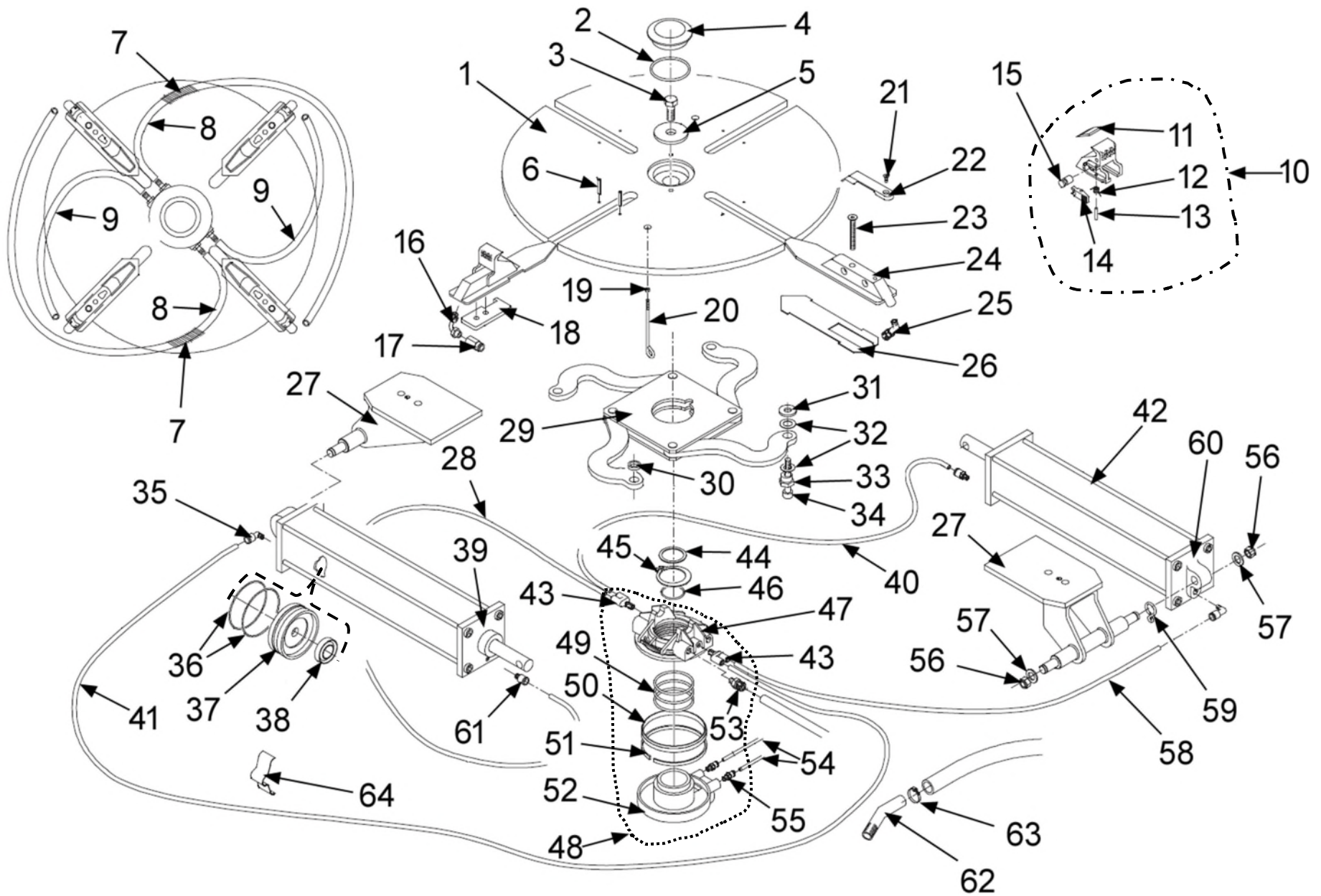
Ref	Qty	Part Number	Description	
1	1	EAA0270J40A	Inverter for 2 Speed TC	
2	1	2-64548A	EIC Inlet C20 with line switch	
3	1	EAS2141J29A	Inverter Box	
4	1	EAW0243J03A	Cable Box Ground	
5	1	EAW0243J02A	Main Switch Inverter cable	
6	1	EAA0378G69A	Inverter and Heatsink	Alternate # below
		EAA0438G01A	Inverter and Heatsink	Smartspeed
NS	1	6-08421A	Power Cord 6-20P to IEC 320 C19 8'	



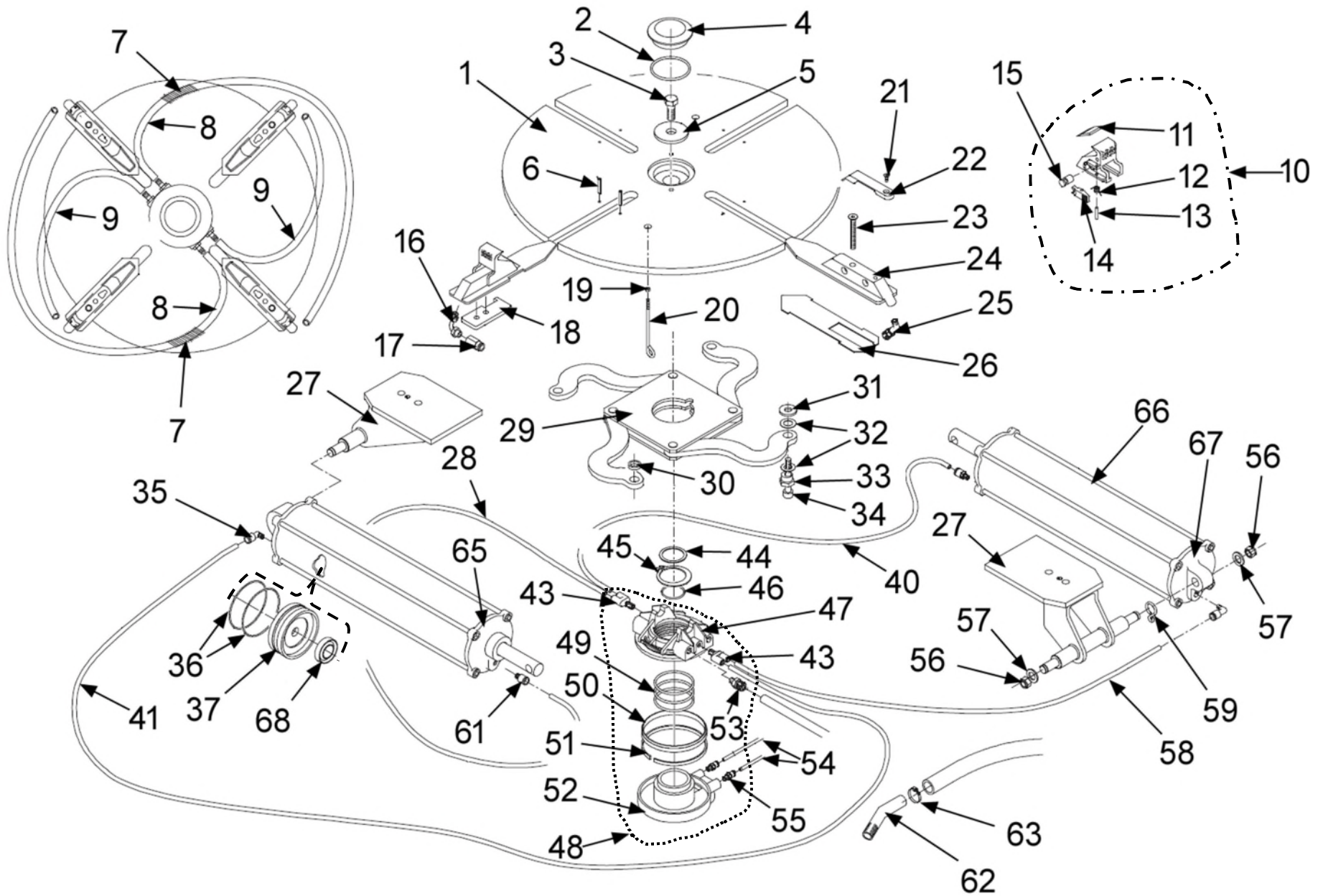
Ref	Qty	Part Number	Description	
A	1	EAA0270J39A	TC Tower Air Offset Assy	
1	1	EAS2141J21A	Swing Column	EAS2169G73A
2	1	EAM0010J44A	Swing Arm	EAA0440G41A
3	1	EAM0122G32A	Rod - Vertical	
4	1	EAA0329G95A	Mounting / Demounting Tool	
5	1	EAM0032G02A	Washer - Tool Clamping	
6	1	1-44901A	Screw Hex 10 x 20 8G	1-34301A
7	1	4020113	Protection, Upper Tower	EAM0126G17A
8	1	EAM0140G92A	Cover For Hex Bar	
9	1	EAS2153G47A	Spring - Recall, Tower, Vertical	
10	1	1-17609A	Screw, 8 x 16 8.8	
11	1	EAC0078G04A	Handle - Rubber	
12	1	EAS2108G36A	Lever, Register	
13	2	1-19633B	Nut - M10 6S	
14	1	EAM0010J50A	Lever - Necking	EAS2153G46A
15	1	1-15933A	Nut Hex M8 - 1.25 mm	
16	1	EAM0067G26A	Screw, Adjustment - Rod	
17	2	EAL0408G42A	Sticker Danger	
18	3	1-63709A	Screw Tbei 5 x 16 8.8	1-49709A
19	1	EAL0408G44A	Danger Label	
20	1	1-6452	Pin, Straight Slotted	
21	1	1-10341	Washer - D 14	
22	2	EAM0067G29A	Washer - Adjustment	
23	1	EAM0067G25A	Screw, Swing Arm Support	
24	2	1-10641	Washer	
25	1	1-21633A	Nut	
26	1	8-06120A	Manometer - Radial 0 - 16 D 40	
27	1	1-31381A	Valve, Asme Safety, 1/4" Bspt	
28	10	1-19409	Screw Tcei 10 x 40	
29	10	1-10141A1	Washer P D 10	
30	4	7020879	Nut Selfclamping	
31	1	EAA0332G46A	Assy, Gauge - Pressure Psi / Kpa	EAA0332G48A
32	1	EAA0351G06A	Assy, Valve - Pneumatic	EAA0351G03A

Ref	Qty	Part Number	Description	
33	mr	2072705	Hose, Air sold by the meter	27096
34	4	EAM0075G29A	Clip, Locking - Hose	
35	1	15658	Fitting, Rub. Holder 1" Long	
36	1	1-17279A	Fitting "L" 6 x 8 1/8	
37	1	1-17179A	Elbow Fitting "L" 4 x 6 1/4"	
38	1	1-29581A	Valve, Air - Controlled	
39	1	EAM0071G99A	Fitting, Support M1"- 20	
40	mr	2072705	Hose, Air sold by the meter	14121
41	1	EAS2141J20A	Column Support	EAS2169G72A
42	1	EAC0094G02A	Ring, Shock - Absorber	
43	1	EAA0270J79A	Handle With Screw	1-03512A
44	1	1-41880A	3/4" NPT to 3/4" Hose Barb	
45	1	EAC0078G13A	Back Plastic Rim Protection	
46	1	EAC0113G61A	Plastic Rim Protection	
47	1	EAM0043G53A	Pin M5 Hexagonal Socket	

Turntable used up to May 2016 (T60EKxxx)



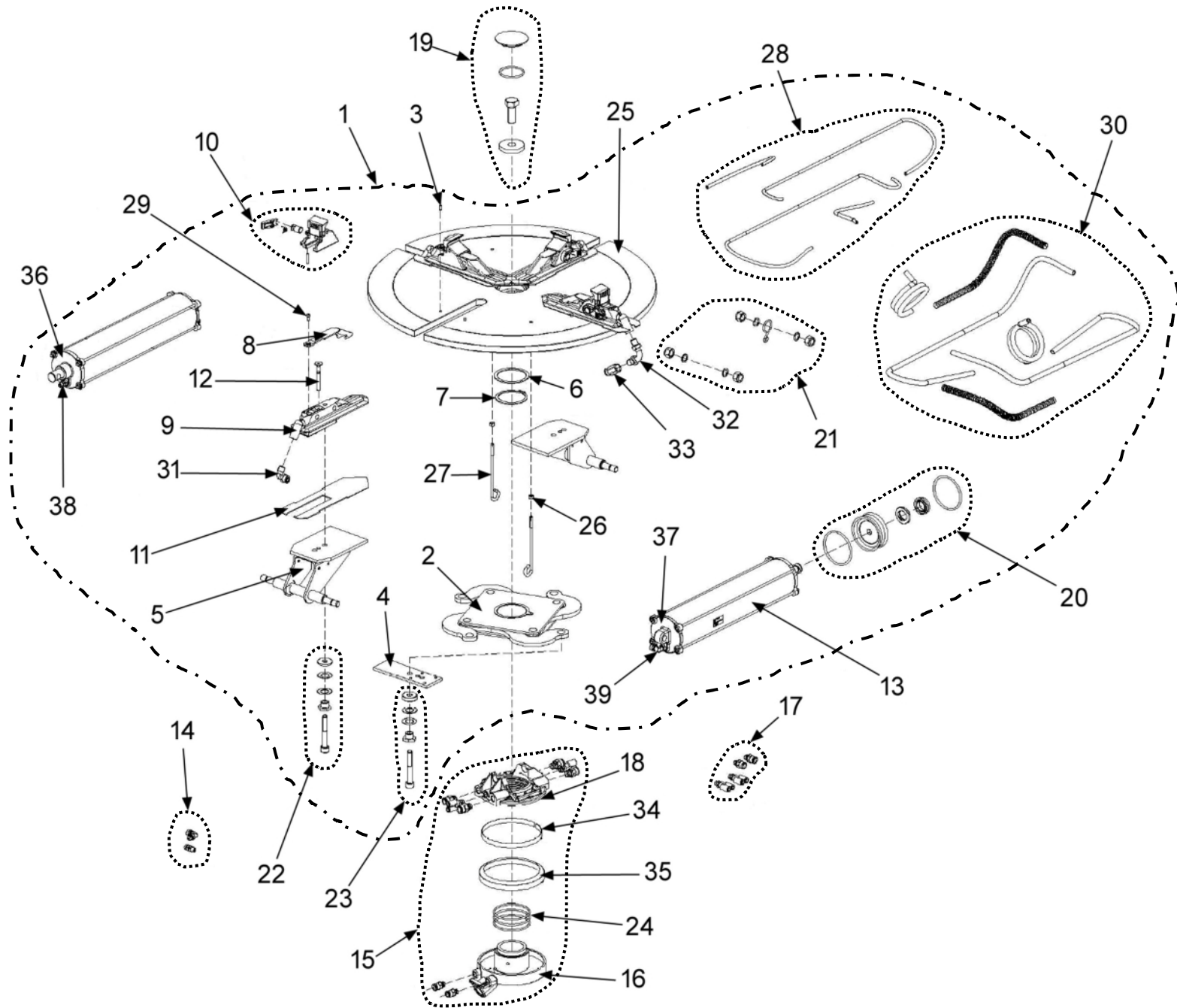
Turntable used from June 2016 (T60FKxxx) to April 2017 (T60DLxxx)



Ref	Qty	Part Number	Description	
1	1	ST4022157	Plate - Turntable, Central 20"	EAS2092G30A
2	1	8-11714A	Gasket O-Ring 46.4 x 3.53	
3	1	1-51101A	Screw 16 x 1.5 x 40	
4	1	EAC0087G47A	Protection - Turntable	ST0005678
5	1	EAS2092G32A	Washer	
6	8	1-5652	Pin - Split 4 x 10	
7	2	EAM0154G76A	Spring - Protection, Air Hoses	0024926
8	mr	2618002	Hose - Air 8 x 10 (sold by the meter)	0022835
9	2	ST0026904	Pipe, Spiral Black 6.5 x 10 x 2.5	0026904
10	4	ST4028811	Sliding Jaw Complete	EAA0350G20A
11	4	EAC0087G48A	Protection, Rims	
12	4	ST0025676	Spring for Sliding Lever	EAM0075G05A
13	4	1-19252A	Clip D 4 x 22	1-21352A
14	4	ST0025678	Lever, Sliding Clamping - Machined	EAM0075G07A
15	4	ST0025677	Pin, Sliding Clamping	EAM0075G06A
16	2	EAM0051G83A	Pipe For Terminal GT	
17	2	1-14479A	Fitting, Swift 8 x 10 1/4"	
18	2	EAM0043G49A	Plate, Register - Clamp	
19	1	ST7020412	Nut M6	7020412
20	1	EAM0051G90A	Support, Pipe GT	
21	4	1-36109A2	Screw 5 x 10	
22	4	EAC0099G90A	Protection Jaws	
23	4	1-24603A	Screw M8 x 60	
24	4	ST0029472	Clamp, Sliding W/Center 26"	EAM0075G00A
25	2	1-14379A	Fitting 90 Deg 1/4 8 x 10	
26	4	EAM0051G00A	Guide Terminals, Center	
27	2	EAA0377G79A	Bracket Cylinders	
28	mr	5-06435A	Hose - Air 4 x 6 (sold by the meter)	EAM0069G99A
29	1	EAA0338G71A	Clamp Actioning Plate	
30	2	EAM0051G75A	Sliding Rod Spacer	
31	2	EAM0051G76A	Washer 10 x 30 x 3	
32	8	EAM0051G74A	Washer 30 x 17 x 0.3	
33	4	EAM0043G19A	Eccentric For Sliding Rod	
34	4	1-54409A	Screw 10 x 50	

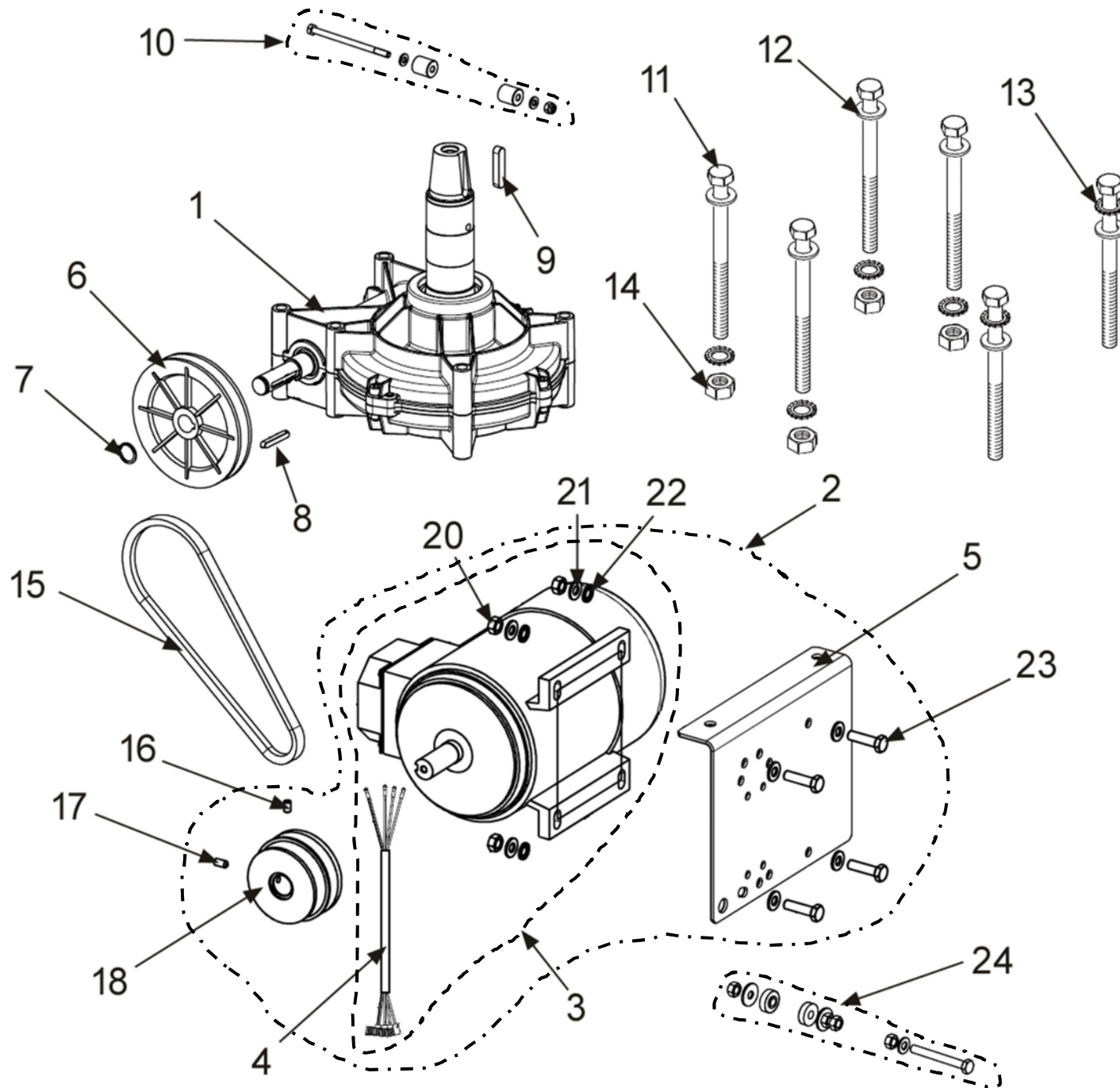
Ref	Qty	Part Number	Description	
35	2	ST0005140	Elbow Fitting 1/8" 4 x 6 (Push in lock)	1-10879A
36	4	ST0001682	Seal O-Ring D 75	8-11614A
37	2	ST0015200	Double Seal D 75	EAC0087G45A
38	2	8-15914A	Lip Seal	
39	2	0031384	Machined Front Flange	
40	mr	5-06435A	Hose - Air 4 x 6 (sold by the meter)	EAM0070G00A
41	mr	5-06435A	Hose - Air 4 x 6 (sold by the meter)	EAM0070G01A
42	2	ST4026768	Cylinder Square Section	EAA0344G17A
43	2	ST0019849	Y Fitting 1/8" 4 x 6	1-13579A
44	1	EAM0051G85A	Support, Ring	
45	1	1-18677A	Ring, Stop D 60	
46	1	8-10714A	Seal O-Ring D 50	
47	1	ST4015870	Ring, Outer Manifold	EAA0338G76A
48	1	EAA0304G69A	Revolving Manifold GT	
49	3	ST0013161	Seal O-Ring D 69.44 x 3.53	8-10814A
50	1	EAC0087G50A	Front Gasket	
51	1	ST0015617	Gasket Seal Spring	EAA0338G77A
52	1	ST4013171	Ring - Inside, with Supports	EAA0338G27A
53	4	ST0022175	Fitting, Quick - Hose 10 1/4	1-14679A
54	mr	5-06335A	Hose - Air 6 x 8 (sold by the meter)	25023
55	2	ST0001924	Fitting 1/8" 6 x 8	1-11379A
56	4	1-19933A	Nut - Lock M12	
57	4	1-24641A	Washer D 12 x 18 x 1	
58	mr	5-06435A	Hose - Air 4 x 6 (sold by the meter)	EAM0070G02A
59	1	EAM0051G88A	Hook For Air - Hose	
60	2	0031385	Rear Flange	
61	2	ST0001923	Straight Fitting 1/8" 4 x 6 (Push in lock)	1-11579A
62	1	4019342	Hose, Connection - Rubber	
63	1	EAM0075G29A	Clip, Locking - Hose	
64	2	EAM0046G21A	Spring for Pipe Coupling	
65	2	ST0019653	Front Cylinder Flange	
66	2	EAA0338G74A	Self Centering Cylinder 20"	
67	2	ST0019652	Rear Cylinder Flange	
68	2	ST0001683	Lip Seal	8-09614A

Turntable used from May 2017 (T60ELxxx) to June 2017 (T60FLxxx)

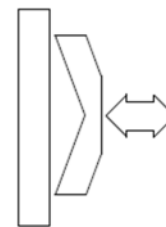
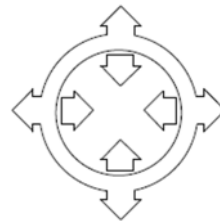
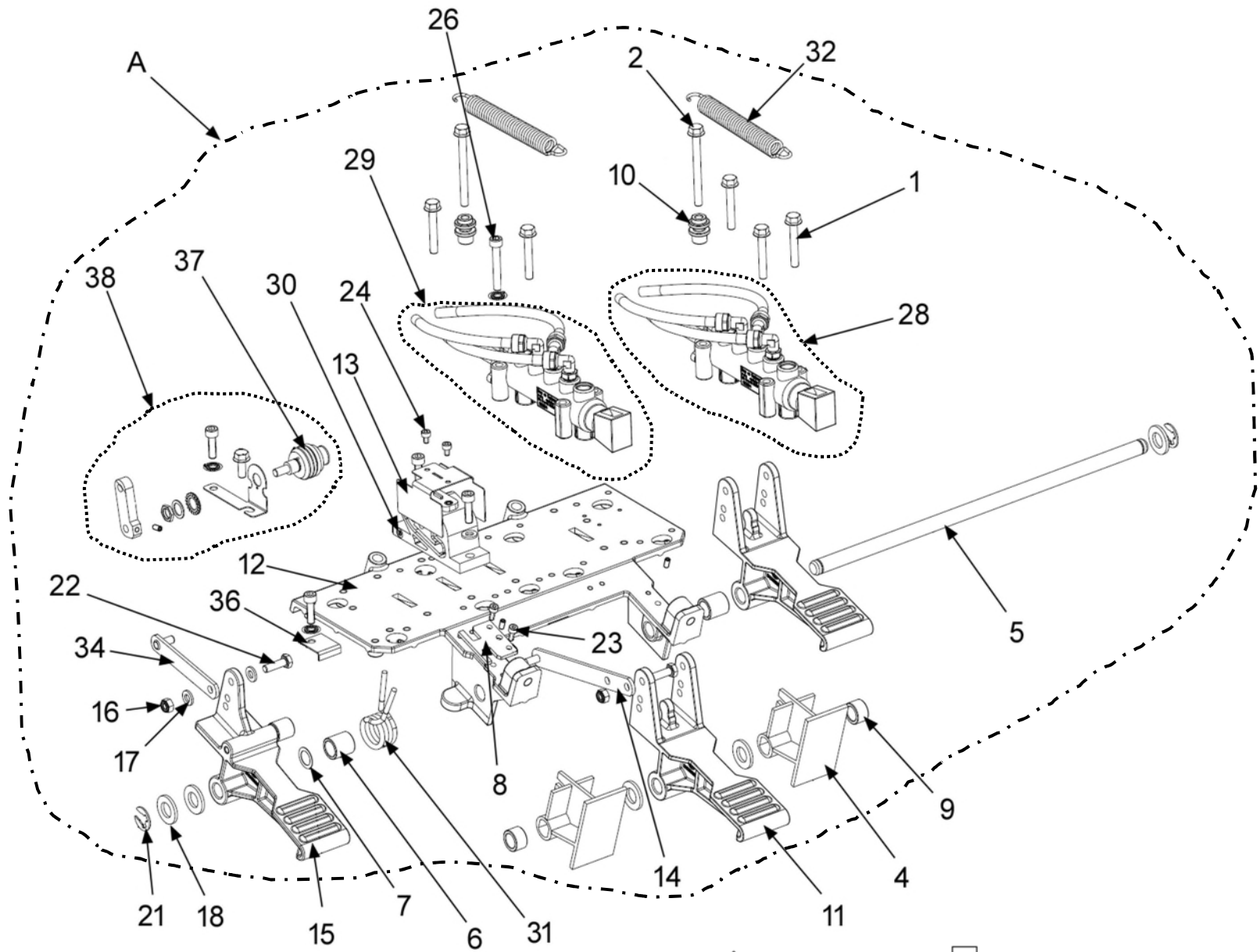


Ref	Qty	Part Number	Description	
1	1	EAA0409G85A	Turntable 24" Center Type No Gt	EAA0489G97A
2	1	EAA0351G73A	Clamp Actioning Plate	EAA0489G39A
3	8	1-25952A	Pin Dowel 5 x 10 Uni En 28734	
4	2	EAM0043G49A	Plate, Register - Clamp	
5	2	EAA0377G79A	Bracket Cylinders	
6	1	EAM0051G85A	Support, Ring	
7	1	1-18677A	Ring - Stop D 60	
8	4	EAC0099G90A	Protection Jaws New	
9	4	ST0029428	Clamp, Sliding W/Centre 20"	EAM0075G00A
10	4	EAA0408G23A	Assembled Sliding Jaw C/Type V2	
11	4	EAM0051G00A	Sliding Clamp Guide	EAS2201G51A
12	4	1-24603A	Screw Tsei 8 x 60 12.9	
13	2	EAA0410G31A	Cylinder, Turntable	
14	1	EAK0330G35A	Tt Cylinder Fittings Kit	
15	1	EAA0304G69A	Revolving Manifold, Tubeless Inflator	
16	1	EAA0338G27A	Ring - Inside, With Supports	
17	1	EAK0330G28A	Revolving Manifold Fittings Kit	
18	1	EAA0338G76A	Ring, Outer - Manifold	
19	1	EAK0306G25A	Turntable Fixing Kit	

Ref	Qty	Part Number	Description	
20	2	EAK0317G36A	Seal For Round Cylinder	
21	1	EAK0306G27A	Screws And Bolts For Turntable Cyl.	
22	2	EAK0329G89A	Screws And Bolts For Clamps	
	1	EAM0051G76A	Washer 30 x 10 x 3	
	2	EAM0051G74A	Washer 30 x 17 x 0.3	
	1	EAM0043G19A	Eccentric Bushing	
	1	1-54409A	Screw M10 x 70	
23	2	EAK0329G88A	Screws And Bolts With Eccentric	
	1	EAM0051G75A	Sliding Rod Spacer 30 x 10 x 8	
	2	EAM0051G74A	Washer 30 x 17 x 0.3	
	1	EAM0043G19A	Eccentric Bushing	
	1	1-54409A	Screw M10 x 70	
24	3	ST0013161	Seal O-Ring D 69.44 x 3.53	8-10814A
25	1	EAS2153G40A	Turntable Flange, C/Type	EAA0481G73A
26	2	1-11633A	Nut - Hex M6 6S	
27	2	EAM0051G90A	Support, Pipe Gt (White Galvan.)	
28	1	EAK0341G62A	Turntables Hoses Kit	
29	4	1-36109A2	Screw 5 x 10	
30	1	EAK0341G63A	Turntable Hoses Kit For Gt	
31	2	1-14379A	Fitting - 90 Deg L 1/4 8 x 10	
32	2	EAM0051G83A	Pipe For Terminal Gt	
33	2	1-27379A	Fitting, Swift F 8 x 10 1/4"	1-14479A
34	1	EAA0338G77A	Spring, Joint Sealing	
35	1	EAC0087G50A	Seal Tubeless Inflator - Front Joint	
36	2	ST0019653	Front Cylinder Flange, Shaft end	
37	2	ST0019652	Rear Cylinder Flange	
38	2	ST0001368	Straight Fitting 4 x 6 mm 1/8" (Nut & Ferrule)	1-27179A
39	2	1-18879A	Elbow Fitting 4 x 6 mm 1/8" (Nut & Ferrule)	

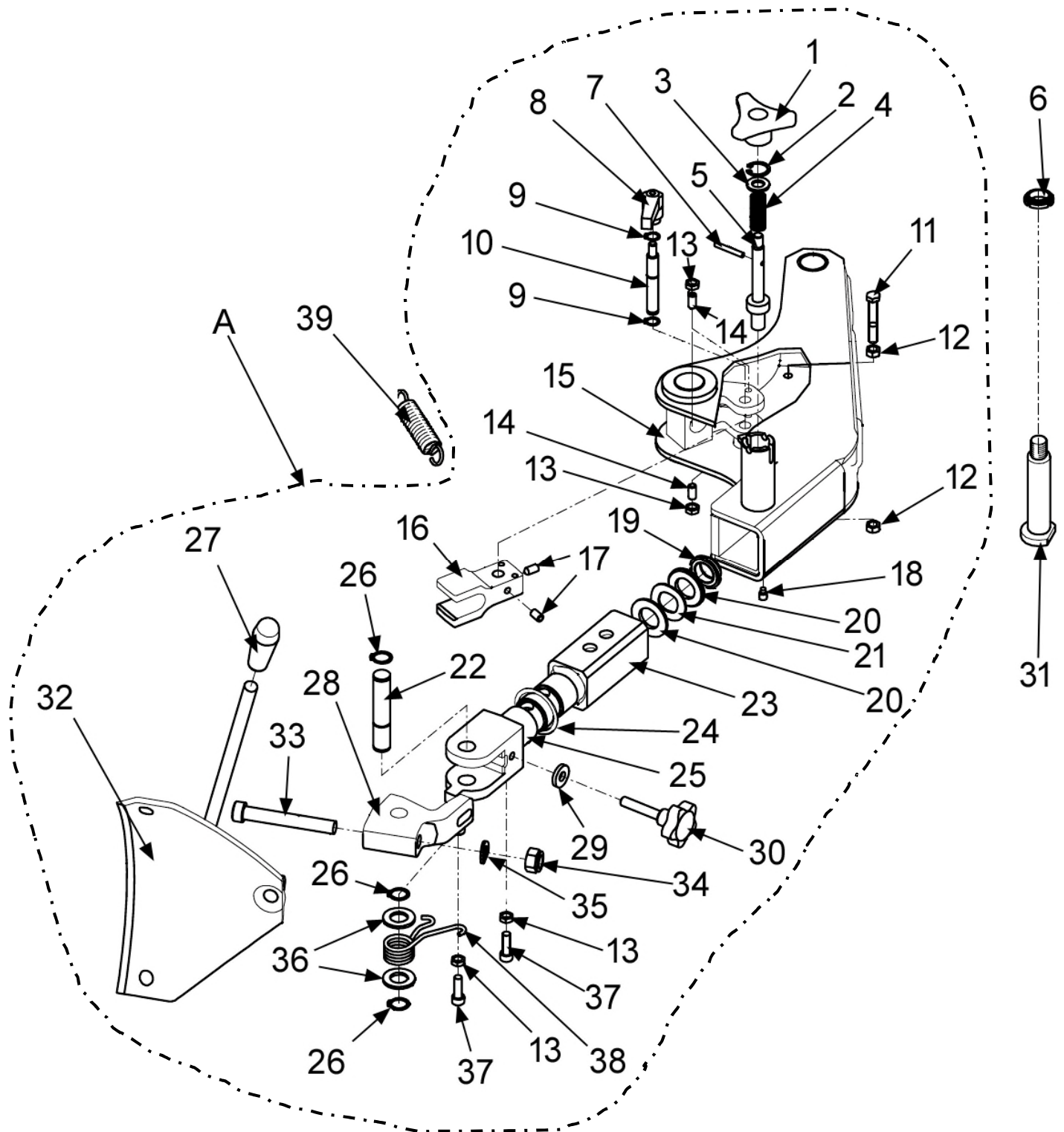


Ref	Qty	Part Number	Description
1	1	EAA0382G23A	Gearbox
2	1	EAA0270J34A	Motor Assembly For Inverter US
3	1	EAA0270J33A	Ass'y - Motor With Inv. Cable, US w/o mounting hardware
4	1	EAW0282G24A	Inverter - Motor Cable CSA
5	1	EAS2029J69A	Support - Motor
6	1	EAC0096G37A	Pulley 1 Groove EAM0125G94A
7	1	1-18577A	Ring Snap Shaft D 19
8	1	1-772	Key 6 x 6 x 40
9	1	1-1572	Key 10 x 8 x 45
10	1	EAK0279G67A	Antirootation Kit
11	6	1-50401A	Screw M10 x 160
12	6	1-10141A1	Washer D 10
13	6	13148	Washer M10 Ext Shakeproof
14	4	1-15433	Nut M10
15	1	EAC0099G95A	V Belt A27
16	1	1-48910A	Screw STEI 6 x 10 - Plane 12K Br
17	1	1-50410A	Screw STEI 6 x 12 12K Br
18	1	EAM0043G99A	Pulley, Double
20	4	1-15933A	Nut Hex M8 - 1.25 mm
21	8	1-10041	Washer, Plain M8
22	4	1-3048	Lock Washer
23	4	1-32601	Screw - HHCS 8 x 20
24	1	EAK0279G66A	Belt Tightener Kit



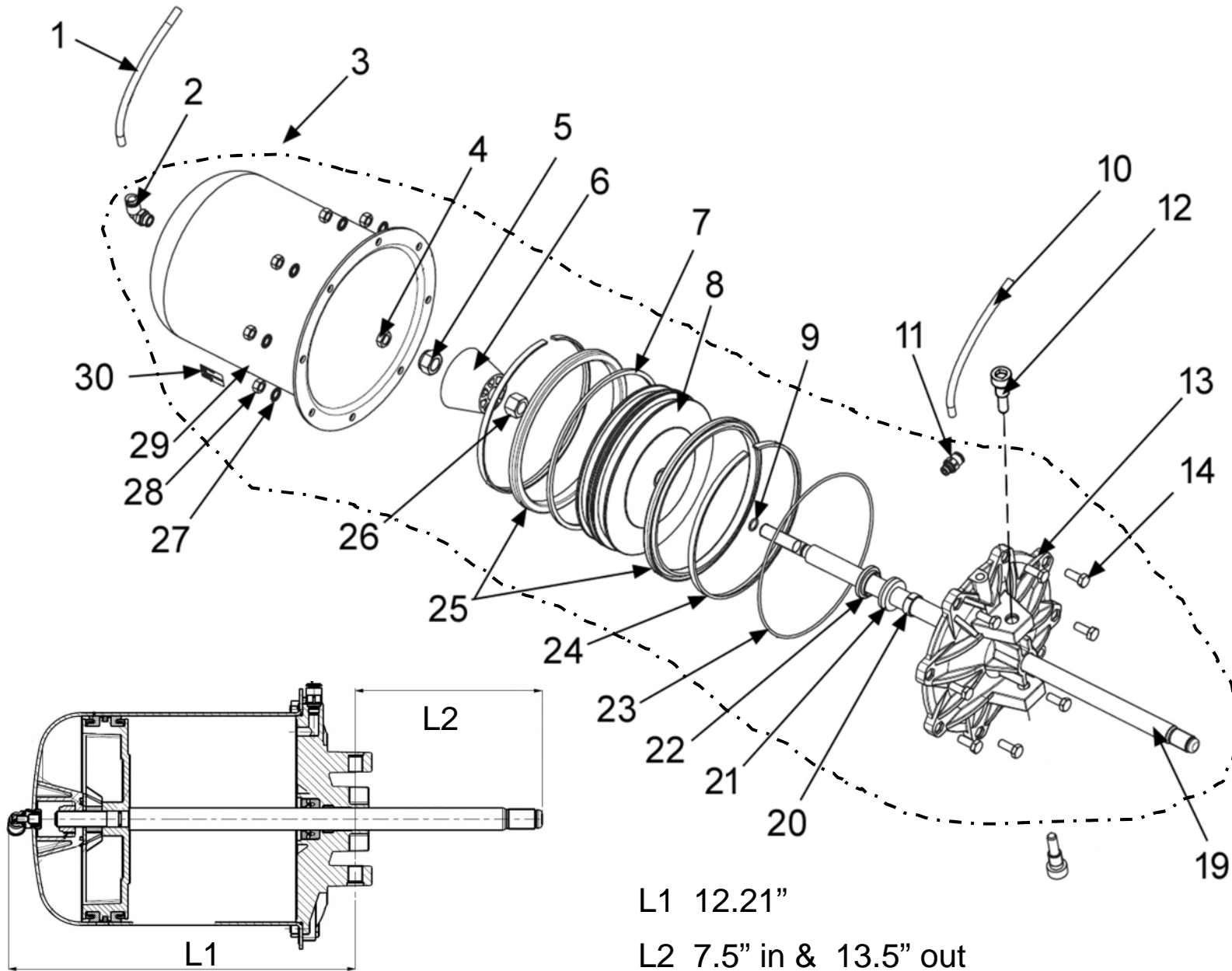
Ref	Qty	Part Number	Description
1	5	1-12626A	Screw Hex Flange Head M6 x 40 mm
2	2	1-12726A	Screw Hex Flange Head M6 x 65 mm
3	1	1-16826A	Screw Hex Flange Head M6 x 16 mm
4	2	EAC0096G11A	Spacer - Pedal
5	1	EAM0068G10A	Shaft - Hinge Pedal
6	2	EAM0048G79A	Bushing Centering Spring
7	1	1-25241A	Shim Ring 12.2 x 18 x 0.3 mm
8	1	EAM0070G32A	Commutator Spring Guide
9	2	EAM0070G46A	Spacer L=11 mm Centering Spring
10	2	EAC0099G82A	Spring Fixing Pawl
11	2	EAM0068G95A	Standard Pedal Machined
12	1	EAM0068G80A	Pedal Assembly Support - Machined
13	1	EAS2115G09A	Protection Sheet For Cam
14	1	EAS2111G73A	Rod Positioner Pedal
15	1	EAA0356G93A	Left Switch Foot Pedal
16	2	1-9933	Nut, Prevailing Torque N6
17	4	1-9841	Washer, Plain D 6
18	5	1-10241A	Washer, ISO 7089
19	3	1-1548	Washer, Ext. Shakeproof D 6
20	1	13148	Ext. Shakeproof D 10
21	2	1-18477A	Retaining Ring 10 x 1.2 mm
22	2	1-14801A	Screw, Hex Head Machine M6 x 20
23	2	1-13409	Screw, Hex Socket, M4 x 10 mm
24	2	1-46809	Screw - HSHC M4 x 6 8.8
25	4	1-16409	Screw - Hex Socket Head Cap Din 912

Ref	Qty	Part Number	Description
26	1	1-56209A	Screw, Hex Socket Head M6 x 40
27	3	1-38910	Screw M4 x 8 Set
28	1	EAA0440G87A	Bead Breaker Pedal Hoses With Valve
	1	EAA0356G94A	Bead Breaker Valve
29	1	EAA0440G88A	Turntable Pedal Hoses With Valve
	1	EAA0356G94A	Turntable Valve
30	1	EAC0103G56A	Foot Pedal Cam
31	1	EAM0075G56A	Spring, Pedal Switch 2 Speed
32	2	EAM0147G64A	Spring Recall Pedals
33	1	EAS2132G65A	Potentiometer Rod
34	1	EAS2132G66A	Rod Potentiometer Pedal
35	1	EAS2133G21A	Potentiometer Support Foot Ped. (L)
36	1	EAS2140G76A	Foot Pedal End Stroke
37	1	EAW0282G25A	Pedal Cable With Potentiometer (L)
38	1	EAK0316G71A	Kit - Potentiometer Group

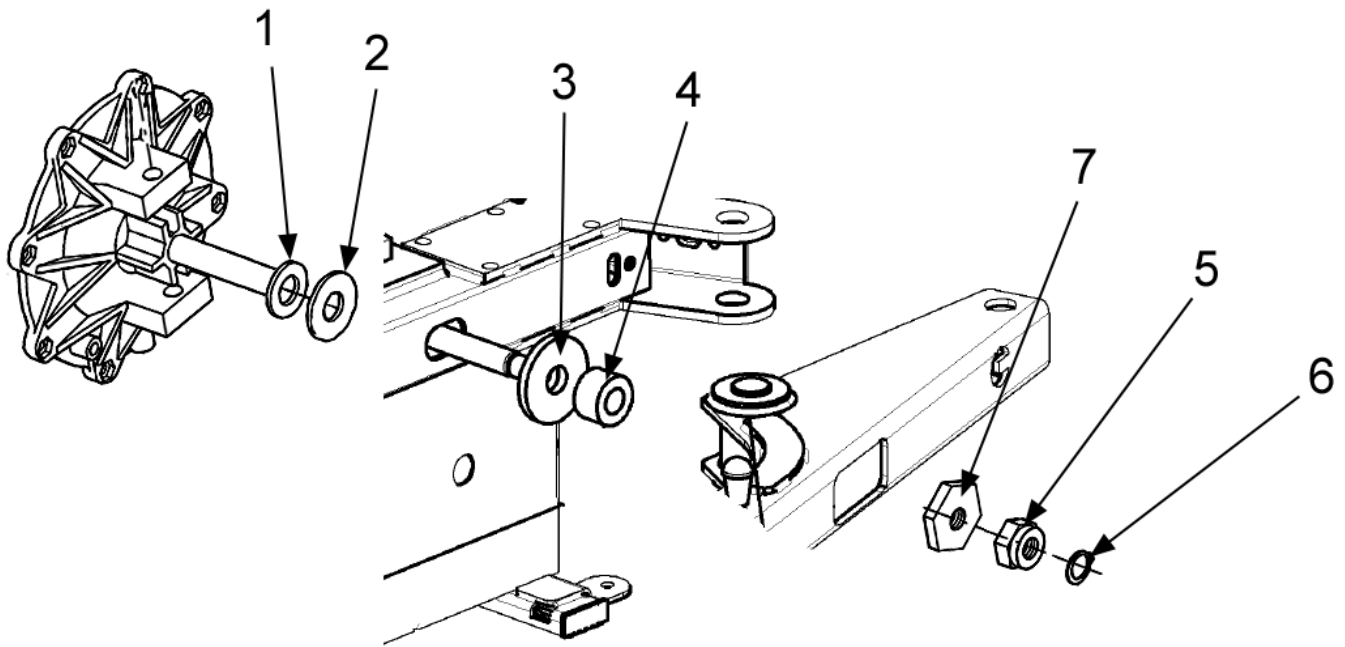


Ref	Qty	Part Number	Description
A	1	EAA0344G08A	Bead Breaker Arm Assembly
1	1	1-02112A	Three Armed Handwheel
2	1	ST7022269	Snap Ring D 24 1-19177A
3	1	1-10241A	Washer Piston D 12
4	1	ST0003523	Spring Handle, Bead EAM0052G37A
5	1	EAM0052G70A	Blade Positioning Pin
6	1	1-02138A	Ring Nut Metal
7	1	1-8552	Pins Straight Slotted
8	1	8-10933A	Adjustable Handles
9	2	1-3677	Snap Ring D 12 ST7022059
10	1	EAM0052G73A	Stopper Rod
11	1	1-19301	Hex Head Screw 8 x 55
12	2	1-11733	Nut M8
13	4	1-15933A	Nut Hex M8 - 1.25
14	2	1-51810A	Locking Device with Ball
15	1	EAS2096G02A	Bead Breaker Arm
16	1	EAM0052G72A	Two Position Stopper
17	2	1-22210A	Screw 8 x 16
18	1	1-51710A	Screw 8 x 12
19	1	1-02338A	Ring Nut Metal Lock M25 x 1.5
20	1	1-25341A	Plane Washer D 25
21	1	1-06246A	Washer D 25
22	1	EAM0052G71A	Blade Rod
23	1	EAS2097G84A	Guide
24	1	EAM0052G76A	Plane Washer
25	1	EAM0052G69A	Worked Rod

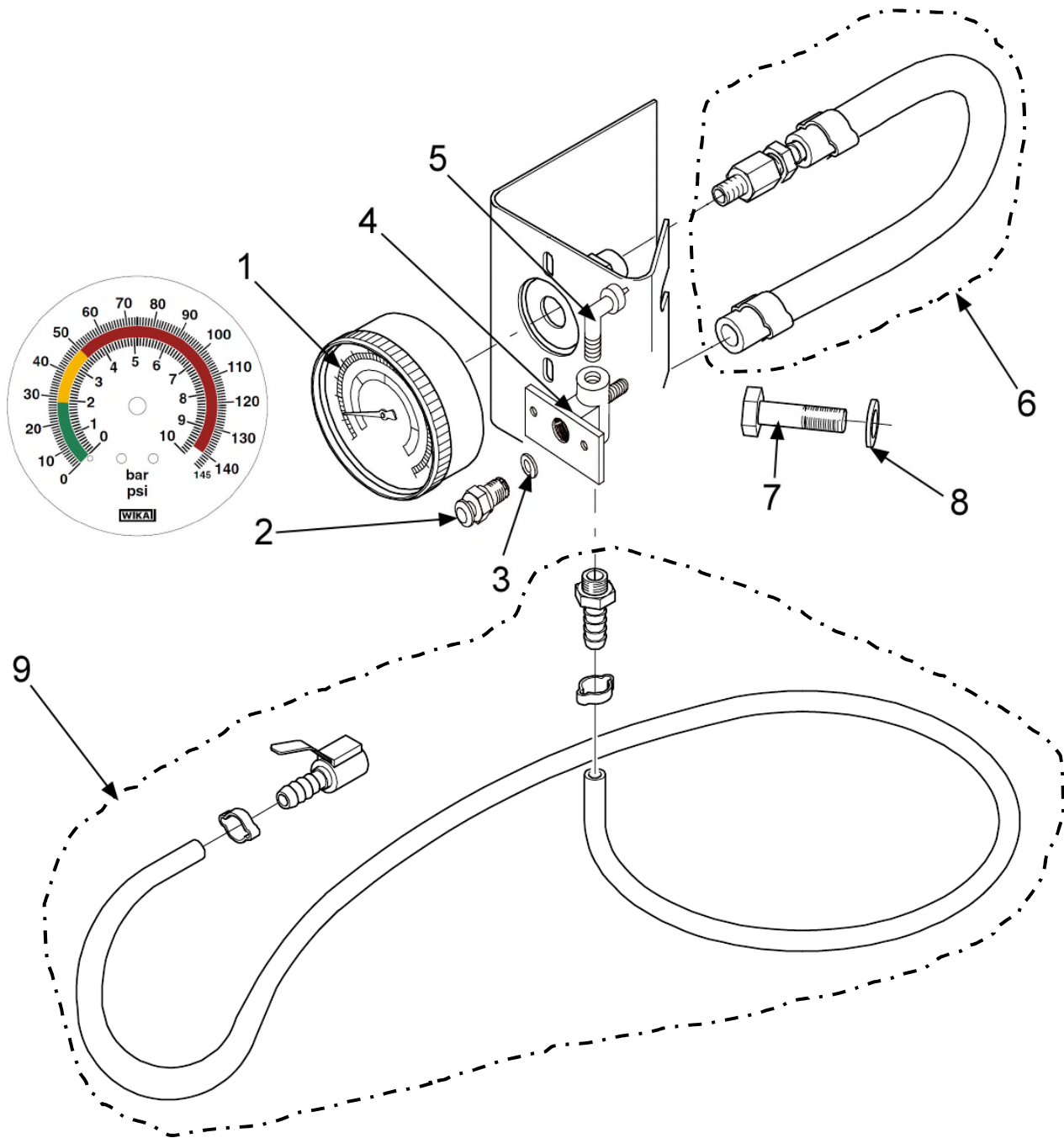
Ref	Qty	Part Number	Description	
26	3	1-4177	Seeger D 18	
27	1	EAC0078G04A	Handle Rubber	
28	1	EAM0052G74A	Worked Floating Forged	
29	1	1-20741A	Plain Washer	
30	1	1-03412A	SCR Wing	
31	1	EAM0086G16A	Fulcrum Pin Bead Breaker	
32	1	ST4021305	Bead Breaker Blade	EAS2087G93A
33	1	1-22609	Screw Hex Socket M14 x 110	
34	1	ST7020409	Nut - S Lock, Low M14	1-10433
35	1	ST7021329	Washer D 14.2	1-06346A
36	2	1-10541	Washer D 18	
37	2	1-17809A	Screw 8 x 25	
38	1	EAM0052G75A	Torsional Spring	
39	1	EAM0067G69A	Spring - Recall Arm	0001229



Ref	Qty	Part Number	Description	
1	mr	5-06335A	Hose - Air 6 x 8 (sold by the meter)	EAM0069G97A
2	1	1-20179A	Fitting "L" 6 x 8	
3	1	EAA0329G51A	Cylinder, Bead Breaker	
4	1	1-16433A	Nut 1/4" x 0.25"	
5	1	ST7020409	Nut - S Lock, Low - M14	1-10433
6	1	EAM0048G04A	Limit Switch Rubber Pad	
7	1	ST0010597	Ring - Plastic	EAC0078G35A
8	1	ST0009279	Piston	EAC0094G40A
9	1	8-18314A	Seal - O-Ring D 11	
10	mr	5-06335A	Hose - Air 6 x 8 (sold by the meter)	EAM0069G97A
11	1	ST0001924	Fitting - St 6 x 8 1/8	1-11379A
12	2	EAM0067G34A	Screw, Fitting - Cylinder B/Break	
13	1	ST0013409	End Cap - Cylinder / Bead Breaker	EAC0078G36A
14	8	1-32601	Screw M8 x 20	
19	1	EAM0048G06A	Rod Bead - Breaker Cylinder	
20	1	ST0024686	Ring For Rod Guide D 20	EAC0078G18A
21	1	ST0001683	Seal, Lip ID 20 OD 36 Th. 8 On Shaft	8-09614
22	1	ST0001684	Retainer - Seal D 20	EAC0078G10A
23	1	8-10014A	O-Ring ID 183.82 x 2.62	
24	2	ST0001470	Ring - Piston, Bead Breaker	EAC0078G34A
25	2	ST0001415	Seal - Lip N D 184	8-10114A
26	1	1-20433A1	Nut - Lock M14 6S White Zinc	
27	8	1-1748	Washer Shakeproof D 8	
28	8	1-11733	Nut M8	
29	1	EAS2068G62A	Cylinder Chamber	
30	1	EAL0383G03A	Plate Cylinder D.E.	
NS	1	EAK0306G19A	Cylinder Seal Kit includes items #9, 15, 18, 20, 21, 22, 23, 24, 25	



Ref	Qty	Part Number	Description
1	1	EAM0075G25A	Washer, Felt
2	1	EAM0075G26A	Washer, Black Plastic
3	1	EAS2097G96A	Washer, Support - Bead Breaker
4	1	EAC0097G51A	Washer - Shock Absorber
5	1	1-24833A	Nut M18 x 1.5 Self Locking
6	1	1-3977	Retaining Ring
7	1	EAM0067G74A	Hex Washer Thread M18 x 1.5



Ref	Qty	Part Number	Description
1	1	8-06820A	Gauge - Air BAR / PSI
2	1	EAA0328G57A	Bleeder Valve
3	1	EAM0043G64A	Washer, Bleeder Valve
4	1	EAC0078G59A	Body Bleeder Valve
5	1	1-11479A	Fitting - L 6 x 8 1/8
6	1	EAH0049G12A	Hose - Gauge Fitting
7	2	1-32501A	Screw 8 x 16
8	2	1-10041	Washer, Plain M8
9	1	EAA0481G30A	Inflation Hose Assembly



Notice: The information contained in this document is subject to change without notice. Hofmann makes no warranty with regard to this material. Hofmann shall not be liable for errors contained herein or for incidental consequential damages in connection with furnishings, performance, or use of this material.

309 Exchange Ave
Conway, AR 72032
501-450-1500

Monty 1625 2 Speed Spare Parts List - EEWH748A

EEWH748A3_TS

DSS

9/2025