

# HOFMANN®



## *monty 1675*

---

Spare Parts

Pieces de rechange

Tabla de repuestos



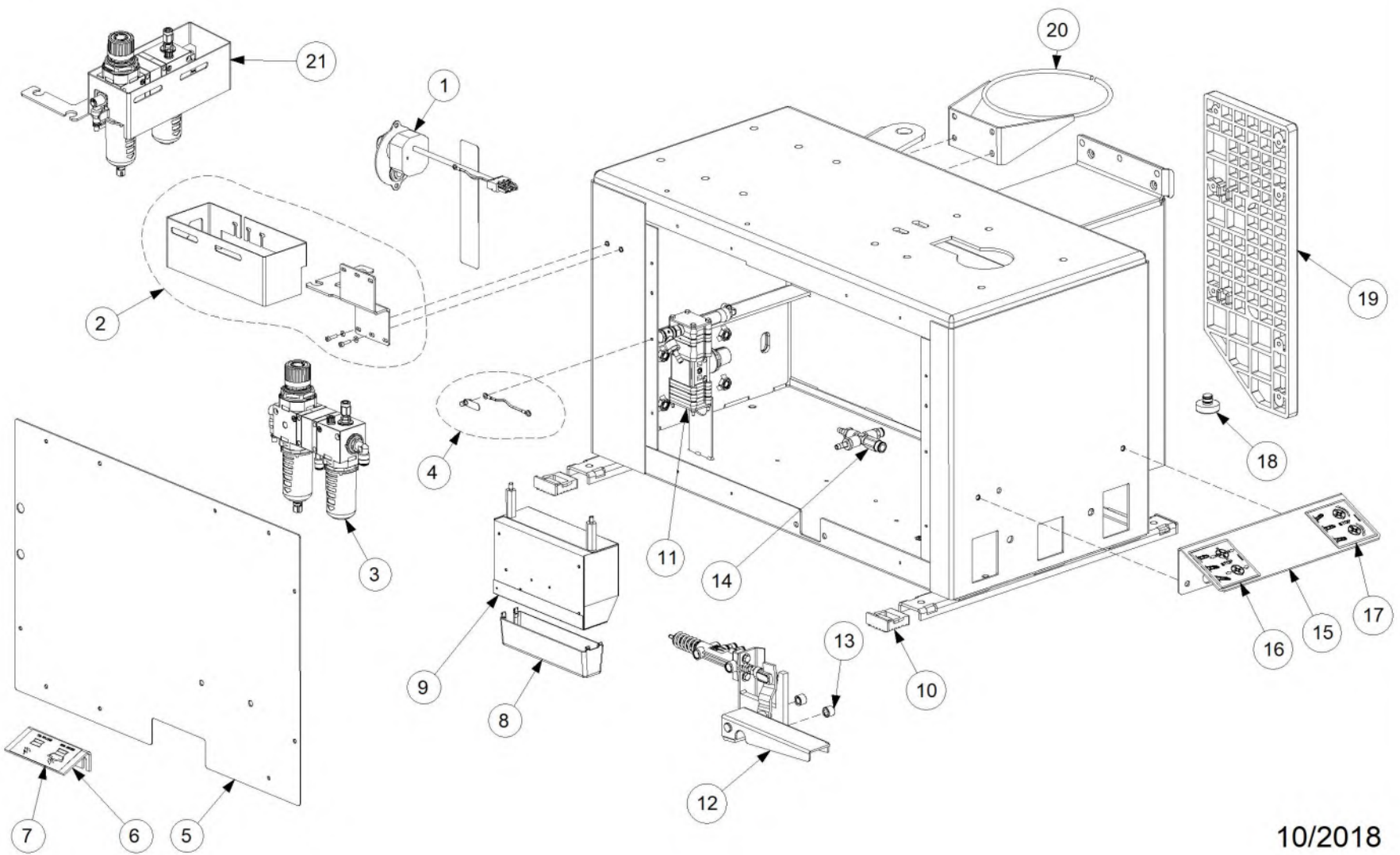


INDEX		Page
EAZ0122G81A_A	CABINET - INVERTER	4
EAZ0132G96A_A	CABINET	7
EAZ0122G85A_A1	SWING TOWER	10
EAZ0137G15A_A	24" TURNTABLE GT	13
EAZ0122G84A_A2	MOTOR AND GEAR BOX	17
EAZ0122G83A_A	PEDAL UNIT 2P-CTS	19
EAZ0132G97A_A	PEDAL UNIT 2P-115V	22
EAZ0122G82A_A1	BEAD BREAKER	25
EAZ0122G86A_A	MH SWING	27
EEWH708CWD_B	INVERTER DIAGRAM	29
EEWH306AWD_E	MONOPHASE- USA MOTORS	30
TEEWH003S_A	PNEUMATIC DIAGRAM - SWING	31

**UPDATING GUIDE:**

**Nov. 21: EAZ0122G84A\_A1 > EAZ0122G84A\_A2**

EAZ0122G81A.A



10/2018

Pos	Code	Designation	Désignation	Designación	N.	Note	Nota	A	B	C
1	EAA0481G43A	ROTARY CAM SWITCH GROUP - UL	GROUPE SECTIONNEUR	GROUPE SECTIONNEUR	1	UL		X		x
2	EAK0341G33A	KIT PROTECTION FILTER	KIT PROTECTION FILTRE	KIT PROTECCIÓN FILTRO	1				x	
3	EAA0370G46A	FILTER REDUC. GROUP +LUBRIC.3/8	GROUPE FILTRE REDUCTEUR+LUBRIF.	GRUPO FILTRO REDUCTOR+LUBRIF.	1			X		x
4	EAK0330G91A	KIT PLAQUETTE TERRE AND CABLE	KIT PLAQUETTE TERRE ET CABLE	KIT PLACA TIERRA Y CABLE	1				X	
5	EAS2169G74A	SIDE PANEL	PANNEAU LATERAL	LATERAL RAL3000	1				X	
6	EAS2115G83A	PROTECTOR,PEDAL	PROTECTION PEDALE	PROTECCIÓN PEDAL NEGRO RECUBIERTO	1			X		
7	EAL0413G34A	STICKER- INFLATOR	ETIQUETTE GONFLEUR	ETIQUETA INFLADOR	1				X	
8	EAC0103G88A	COVER FOR INVERTER BOX	COUVERCLE BOITE CONVERTISSEUR	TAPA CAJA INVERTER	1			X		
9	EAK0341G06A	INVERTER GROUP - 230V	GROUPE ONDULEUR DEMONTE-PNEUS - 230V	GRUPO INVERTER DESMONTADOR - 230V	1	18 rpm-new version		X		x
10	EAC0097G52A	FOOT-SQUARE	SUPPORT CARRE	SOPORTE PIE CUADRADO	4				X	
11	EAA0481G57A	VALVE, AIR CONTROL	VANNE REGULATION D'AIR	VÁLVULA LIMITADORA PRESIÓN	1			x		x
12	EAM0048G21A	SPACER D9X15 L12 MM	ENTRETOISE D9X15 L12 MM	RIOSTRA D9X15 L 12MM	2				X	
13	EAA0384G14A	GROUP, BEAD INFLATING PEDAL	GROUPE PEDALE POMPE	GRUPO,PEDAL INFLADOR	1			X		x
14	EAA0481G67A	FITTINGS GROUP	ENSEMBLE RACCORDES PNEUMATIQUES	CONJUNTO RACORES NEUMÁTICOS	1				x	
15	EAS2169G75A	PEDAL PROTECTION	PROTECTION PEDALES	PROTECCIÓN PEDAL RAL3000	1				X	
16	EAL0462G94A	LABEL,FOOT PEDAL CLAMP	ETIQUETTE, BORNE PEDALE	ETIQUETA PEDAL BORNE	1			x		x
17	EAL0467G01A	LABEL,FOOT PEDAL ROTATION	ETIQUETTE, ROTATION PEDALE	ETIQUETA PEDAL ROTACIÓN	1			x		x

**A** = available - disponible - disponible

**B** = on request - sur demande - a petición

**C** = suggested - suggeré - sugerido

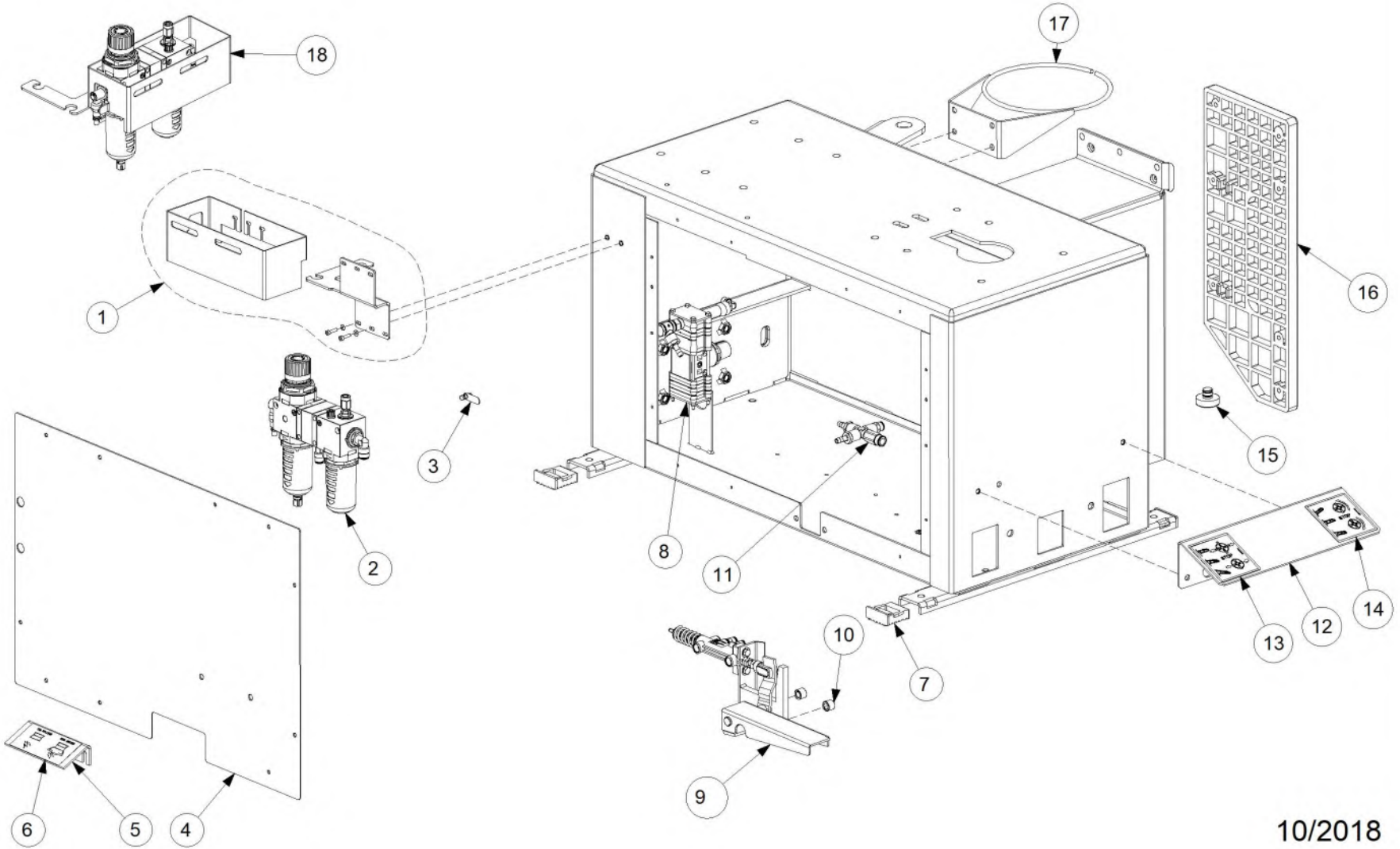
Pos	Code	Designation	Désignation	Designaciòn	N.	Note	Nota	A	B	C
18	EAC0078G03A	CIRCULAR RUBBER FOOT	SABOT CIRCULAIRE	PIE CIRCULAR	1				X	
19	EAC0099G22A	PAD- SUPPORT, BEADBREAKER	PALIER APPUI DETALONNEUR	TAMPÓN SOPORTE DESTALONADOR	1			X		x
20	EAA0349G76A	RING- BOX, GREASE	COURONNE BOITE GRAISSE	ANILLO PORTAGRASA GALVANIZADO	1				X	
21	EAA0489G32A	ASSY LUBRICATOR FILTER NA	GRUPE FILTRE LUBRIFICATEUR NA	GRUPO FILTRO LUBRIFICADOR NA	1					x

**A** = available - disponible - disponible

**B** = on request - sur demande - a petición

**C** = suggested - suggeré - sugerido

EAZ0132G96A.A



10/2018

Pos	Code	Designation	Désignation	Designación	N.	Note	Nota	A	B	C
1	EAK0341G33A	KIT PROTECTION FILTER	KIT PROTECTION FILTRE	KIT PROTECCIÓN FILTRO	1				x	
2	EAA0370G46A	FILTER REDUC. GROUP +LUBRIC.3/8	GROUPE FILTRE REDUCTEUR+LUBRIF.	GRUPO FILTRO REDUCTOR+LUBRIF.	1			X		x
3	EAK0279G95A	GROUND PLATE KIT	KIT PLAQUETTE TERRE	KIT PLACA TIERRA	1				X	
4	EAS2169G74A	SIDE PANEL	PANNEAU LATERAL	LATERAL RAL3000	1				X	
5	EAS2115G83A	PROTECTOR,PEDAL	PROTECTION PEDALE	PROTECCIÓN PEDAL NEGRO RECUBIERTO	1			X		
6	EAL0413G34A	STICKER- INFLATOR	ETIQUETTE GONFLEUR	ETIQUETA INFLADOR	1				X	
7	EAC0097G52A	FOOT-SQUARE	SUPPORT CARRE	SOPORTE PIE CUADRADO	4				X	
8	EAA0481G57A	VALVE, AIR CONTROL	VANNE REGULATION D'AIR	VÁLVULA LIMITADORA PRESIÓN	1			x		x
9	EAM0048G21A	SPACER D9X15 L12 MM	ENTRETOISE D9X15 L12 MM	RIOSTRA D9X15 L 12MM	2				X	
10	EAA0384G14A	GROUP, BEAD INFLATING PEDAL	GROUPE PEDALE POMPE	GRUPO,PEDAL INFLADOR	1			X		x
11	EAA0481G67A	FITTINGS GROUP	ENSEMBLE RACCORDES PNEUMATIQUES	CONJUNTO RACORES NEUMÁTICOS	1				x	
12	EAS2169G75A	PEDAL PROTECTION	PROTECTION PEDALES	PROTECCIÓN PEDAL RAL3000	1				X	
13	EAL0462G94A	LABEL,FOOT PEDAL CLAMP	ETIQUETTE, BORNE PEDALE	ETIQUETA PEDAL BORNE	1			x		x
14	EAL0467G01A	LABEL,FOOT PEDAL ROTATION	ETIQUETTE, ROTATION PEDALE	ETIQUETA PEDAL ROTACIÓN	1			x		x
15	EAC0078G03A	CIRCULAR RUBBER FOOT	SABOT CIRCULAIRE	PIE CIRCULAR	1				X	
16	EAC0099G22A	PAD- SUPPORT, BEADBREAKER	PALIER APPUI DETALONNEUR	TAMPÓN SOPORTE DESTALONADOR	1			X		x
17	EAA0349G76A	RING- BOX, GREASE	COURONNE BOITE GRAISSE	ANILLO PORTAGRASA GALVANIZADO	1				X	

**A** = available - disponible - disponible

**B** = on request - sur demande - a petición

**C** = suggested - suggeré - sugerido



Pos	Code	Designation	Désignation	Designaciòn	N.	Note	Nota	A	B	C
18	EAA0489G32A	ASSY LUBRICATOR FILTER NA	GROUPE FILTRE LUBRIFICATEUR NA	GRUPO FILTRO LUBRIFICADOR NA	1				x	

**A** = available - disponible - disponible

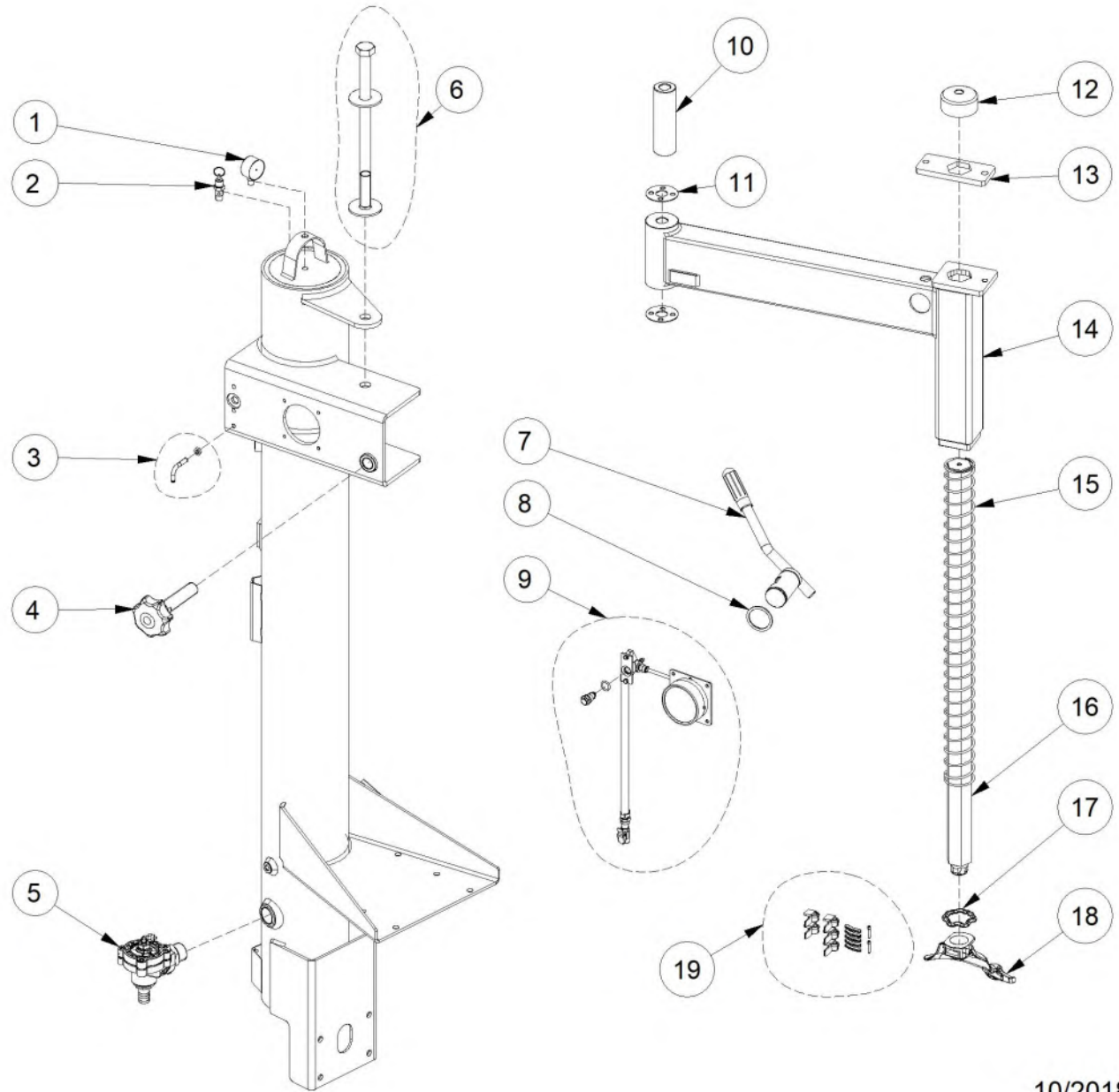
**B** = on request - sur demande - a petición

**C** = suggested - suggeré - sugerido

EAZ0122G85A.A



20



10/2018

Pos	Code	Designation	Désignation	Designación	N.	Note	Nota	A	B	C
1	8-06120A	MANOMETER-RADIAL 0-16 D.40	MANOMETRE RADIAL 0-16 D.40	MANÓMETRO RADIAL 0-16BAR D.40	1			X		
2	1-31381A	VALVE, ASME SAFETY, 1/4" BSPT	SOUPAPE DE SURETE	VALVULA DE SEGURIDAD	1			X		X
3	EAK0330G99A	FIXING KIT FOR INFLATING GAUGE	KIT FIXATION PISTOLET	KIT CONEXIÓN PISTOLA	1				X	
4	EAA0471G40A	SCREW, ANGULAR ADJUSTMENT	VIS REGLAGE ANGULAIRE	TORNILLO REGULACIÓN ANGULAR	1				X	
5	EAK0341G00A	VALVE,AIR-CONTROLLED KIT	KIT VANNE COMMANDE PNEUMATIQUE	KIT VÁLVULA MANDO NEUMÁTICO	1			X		x
6	EAK0341G01A	FULCRUM KIT FOR SWING	KIT PIVOT POUR EQUILIBRAGE	KIT PIVOTE POSTE SWING	1				X	
7	EAK0341G02A	REGISTER LEVER KIT	KIT LEVIER REGLAGE	KIT PALANCA REGULACIÓN	1				X	
8	EAM0070G15A	WASHER- ADJUSTMENT	RONDELLE DE REGLAGE	ARANDELA DE REGULACION	1			X		
9	EAK0341G03A	MANOMETER AND HOSE INFLATING KIT	KIT MANOMETRE ET TUYAU GONFLAGE	KIT MANÓMETRO Y TUBO INFLADO	1				X	
10	EAM0146G86A	BUSHING FOR FULCRUM	BAGUE POUR PIVOT	CASQUILLO PARA PIVOTE	1				X	
11	EAM0067G29A	WASHER - ADJUSTMENT	RONDELLE DE REGLAGE	ARANDELA DE REGULACION	2			X		
12	EAM0140G92A	COVER FOR HEX BAR	COUVERCLE TIGE HEXAGONALE	TAPA VARILLA HEXAGONAL	1				X	
13	EAS2195G88A	PLATE ROD LOCKING SPANNER CH41	CLE DE SERRAGE TIGE PLATEAU CH41	PALANCA ESTRANGULACIÓN CH41	1				X	
14	EAA0471G37A	SWING ARM, PAINTED	BRAS ORIENTABLE, PEINT	BRAZO BANDERA CH.41 - NEGRO QUEMADO	1				X	
15	EAS2153G47A	SPRING-RECALL, TOWER,VERTICAL	RESSORT RETOUR TIGE VERTICALE	RESORTE REGRESO BARRA VERTICAL	1				X	
16	EAM0153G92A	ROD, VERTICAL SP. 41	TIGE VERTICALE, EP. 41	VARILLA VERTICAL CH. 41	1				X	
17	EAC0094G02A	RING, SHOCK-ABSORBER	BOUCLE AMORTISSEUR	ANILLO AMORTIGUADOR	1			X		x

**A** = available - disponible - disponible

**B** = on request - sur demande - a petición

**C** = suggested - suggeré - sugerido

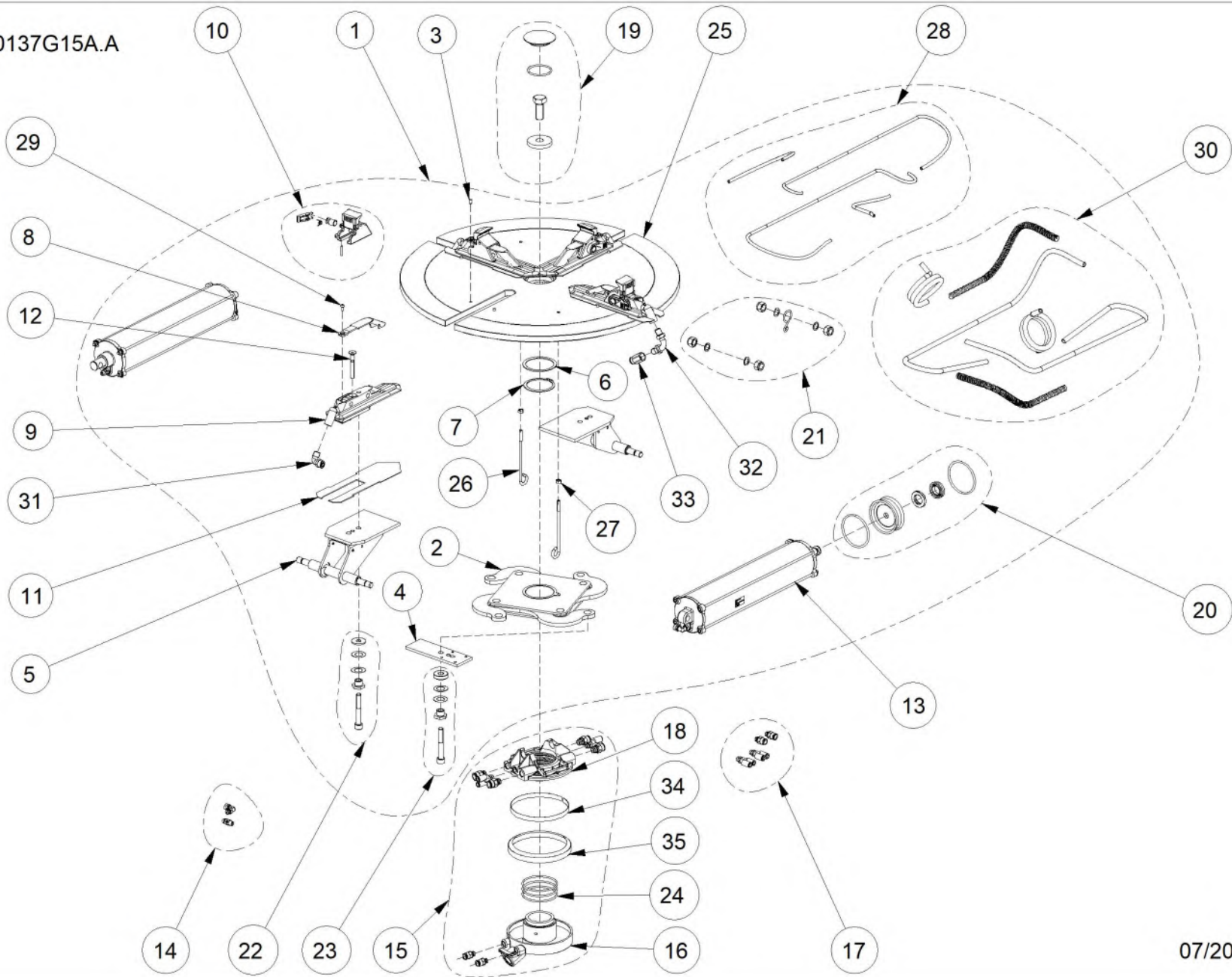
Pos	Code	Designation	Désignation	Designaciòn	N.	Note	Nota	A	B	C
18	EAA0329G95A	MOUNTING/DEMOUNTING TOOL	OUTIL P. MONTAGE ET DEMONTAGE	HERRAMIENTA P. MONTAJE Y DESMONTAJE	1			X		x
19	EAA0350G07A	SET PLASTIC PROTECTION FOR RIM	JEU PROTECTION JANTES	GRUPO PROTECCION LLANTAS	1			X		X
20	EAK0330G93A	TOOL BOX ASSY	GROUPE BOITE A OUTILS	GRUPO CAJA PORTAOBJETOS	1				X	

**A** = available - disponible - disponible

**B** = on request - sur demande - a petición

**C** = suggested - suggeré - sugerido

EAZ0137G15A.A



07/2019

Pos	Code	Designation	Désignation	Designación	N.	Note	Nota	A	B	C
1	EAA0489G97A	TURNTABLE 24" CENTER TYPE NO GT	AUTOCENTRANT 24" CONV.CENT. NO GT	AUTOCENTRADO 24" CONV. CENTR. NO GT	1			X		
2	EAA0489G39A	20"/24" CLAMP ACTIONING PLATE	PLAQUETTE REGLAGE ETAUX	PLATO REGLAJE GARRAS	1			X		
3	1-25952A	PIN DOWEL 5x10 UNI EN 28734	GOUPILLE	PASADOR	8			X		
4	EAM0043G49A	PLATE, REGISTER -CLAMP	PLATEAU REGLAGE ETAU	PLATO REGLAJE GARRA	2			X		
5	EAA0377G79A	BRACKET CYLINDERS	SIEGE VERINS	ESTRIBO CILINDROS	2			X		
6	EAM0051G85A	SUPPORT,RING	BAGUE DE SOUTIEN	ARANDELA DE SOPORTE	1			X		
7	1-18677A	RING- STOP D.60	ANNEAU D'ARRET	ANILLO DE PARO PARA ÁRBOL D.60	1			X		
8	EAC0099G90A	PROTECTION JAWS NEW	PROTECTION ETAUX	PROTECCIÓN ABRAZADERA NUEVO ST.	4			X		X
9	EAM0075G00A	CLAMP, SLIDING W/CENTRE 20"-S2-MACHINE ETAU COULISSANT A/CENTRE 20"-S2	ABRAZADERA CORREDERA C/CENTRO 20"-S2	ABRAZADERA CORREDERA C/CENTRO 20"-S2	4			X		
10	EAA0408G23A	ASSEMBLED SLIDING JAW C/TYPE V2	CALE COULISSANTE C/C ASSEMBLEE V2	CUÑA DESLIZANTE C/C MONTADO V2	4			X		
11	EAS2201G51A	24" SLIDING CLAMP GUIDE	GUIDE ETAU COULISSANT 24"	GUÍA MORS. CORRED. 24"	4			X		
12	1-24603A	SCREW TSEI 8X60 12.9	VIS FHc	TORNILLO TSEI	4			X		
13	EAA0410G31A	CYLINDER, TURNTABLE	CYLINDRE AUTOCENTRANT	CILINDRO AUTOCENTRADOR	2			X		
14	EAK0330G35A	TT CYLINDER FITTINGS KIT	KIT RACCORDS CYLINDRE AUTOCENTRANT	KIT RACORES CILINDRO AUTOCENTRADOR	1				X	
15	EAA0304G69A	REVOLVING MANIFOLD, TUBELESS INFLATOF	DISTRIBUTEUR TOURNANT GT	DISTRIBUIDOR GIRATORIO GT	1			X		
16	EAA0338G27A	RING-INSIDE, WITH SUPPORTS	COLLIER INTERIEUR AVEC ROULEMEN	RUEDA CON CONEXIÓNS	1			X		
17	EAK0330G28A	REVOLVING MANIFOLD FITTINGS KIT	KIT RACCORDEMENT DISTRIB.TOURNANT	KIT RACORES DISTRIB. GIRATORIO	1				X	

**A** = available - disponible - disponible

**B** = on request - sur demande - a petición

**C** = suggested - suggeré - sugerido

Pos	Code	Designation	Désignation	Designación	N.	Note	Nota	A	B	C
18	EAA0338G76A	RING, OUTER - MANIFOLD	COLLIER EXTERIEUR COLLECTEUR	ARO EXTERIOR COLECTOR	1			X		
19	EAK0306G25A	TURNTABLE FIXING KIT	KIT RACCORDEMENT AUTOCENTRANT	KIT CONEXIÓN AUTOCENTRADOR	1			X		
20	EAK0317G36A	SEAL FOR ROUND CYLINDER	KIT JOINTS CYLINDRES RONDS	KIT JUNTAS CILINDROS REDONDOS	2			X		X
21	EAK0306G27A	SCREWS AND BOLTS FOR TURNTABLE CYL.	KIT VIS VERINS AUTOCENTRANT	KIT TORNILLOS CILINDROS AUTOCENTRADOR	1			X		
22	EAK0329G89A	SCREWS AND BOLTS FOR CLAMPS	KIT VIS PLATEAU COMMANDE BORNES	KIT TORNILLOS PLACA MANDO BORNES	2			X		
23	EAK0329G88A	SCREWS AND BOLTS WITH ECCENTRIC	KIT VIS AVEC EXCENTR.PLAQUE BORNES	KIT TORNILLOS EXCÉNTR.PLACA BORNES	2			X		
24	8-10814A	SEAL OR D.69.44X3.53	JOINT TORIQUE	JUARNICIÓN OR	3			X		X
25	EAA0481G73A	20"/24" TURNTABLE FLANGE, C/TYPE	PLATEAU AUTOCENTRANT CONV.CENT.	PLATO AUTOCENTRANTE CONV.CENT.	1			X		
26	1-11633A	NUT-HEX. M6 6S	ECROU M6 6S	TUERCA M6 CL.8 BR-MEDIO	2			X		
27	EAM0051G90A	SUPPORT, PIPE GT ( WHITE GALVAN.)	SUPPORT POUR TUYAU (ZINGAG. BLANC) GT	SOPORTE POR TUBO (GALV. BLANC) GT	2			X		
28	EAK0341G62A	TURNTABLES HOSES KIT	KIT TUBES AUTOCENTRANT	KIT TUBOS AUTOCENTRADOR	1				X	
29	1-36109A2	SCREW TBEI 5X10 8G	VIS BHc	TORNILLO TBEI	4			X		
30	EAK0341G63A	TURNTABLE HOSES KIT FOR GT	KIT TUBES AUTOCENTRANT GT	KIT TUBOS GT	1				X	
31	1-14379A	FITTING-90 DEG L 1/4 8X10	RACCORD A L 1/4 8X10	CONEXIÓN EN L 1/4 BX10	2			X		
32	EAM0051G83A	PIPE FOR TERMINAL GT	TUYAU POUR BORNE GT	TUBO POR BORNE GT	2			X		
33	1-14479A	FITTING, SWIFT F.8X10 1/4"	RACCORD RAPIDE F. 8X10 1/4"	CONEXIÓN RÁPIDA F.8X10 1/4"	2			X		
34	EAA0338G77A	SPRING, JOINT SEALING	RESSORT RETENUE JOINT	MUELLE SUJECIÓN JUNTA	1			X		

**A** = available - disponible - disponible

**B** = on request - sur demande - a petición

**C** = suggested - suggeré - sugerido

Pos	Code	Designation	Désignation	Designación	N.	Note	Nota	A	B	C
35	EAC0087G50A	SEAL TUBELESS INFLATOR-FRONT	JOINT FRONTAL GONFLEUR	JUARNICIÓN FRONTAL HINCHADOR TUBELES	1			X		X

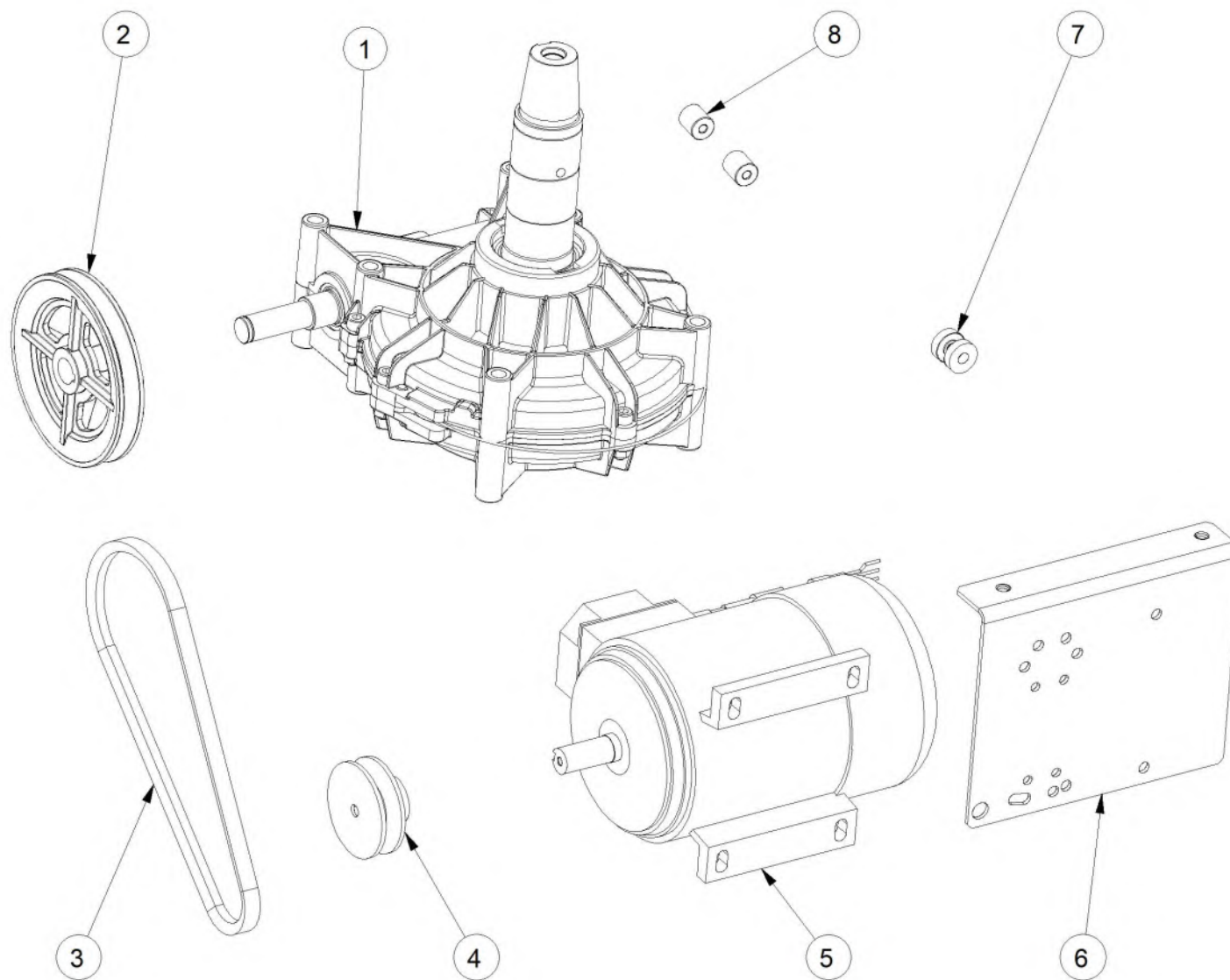
**A** = available - disponible - disponible

**B** = on request - sur demande - a petición

**C** = suggested - suggeré - sugerido



EAZ0122G84A.A



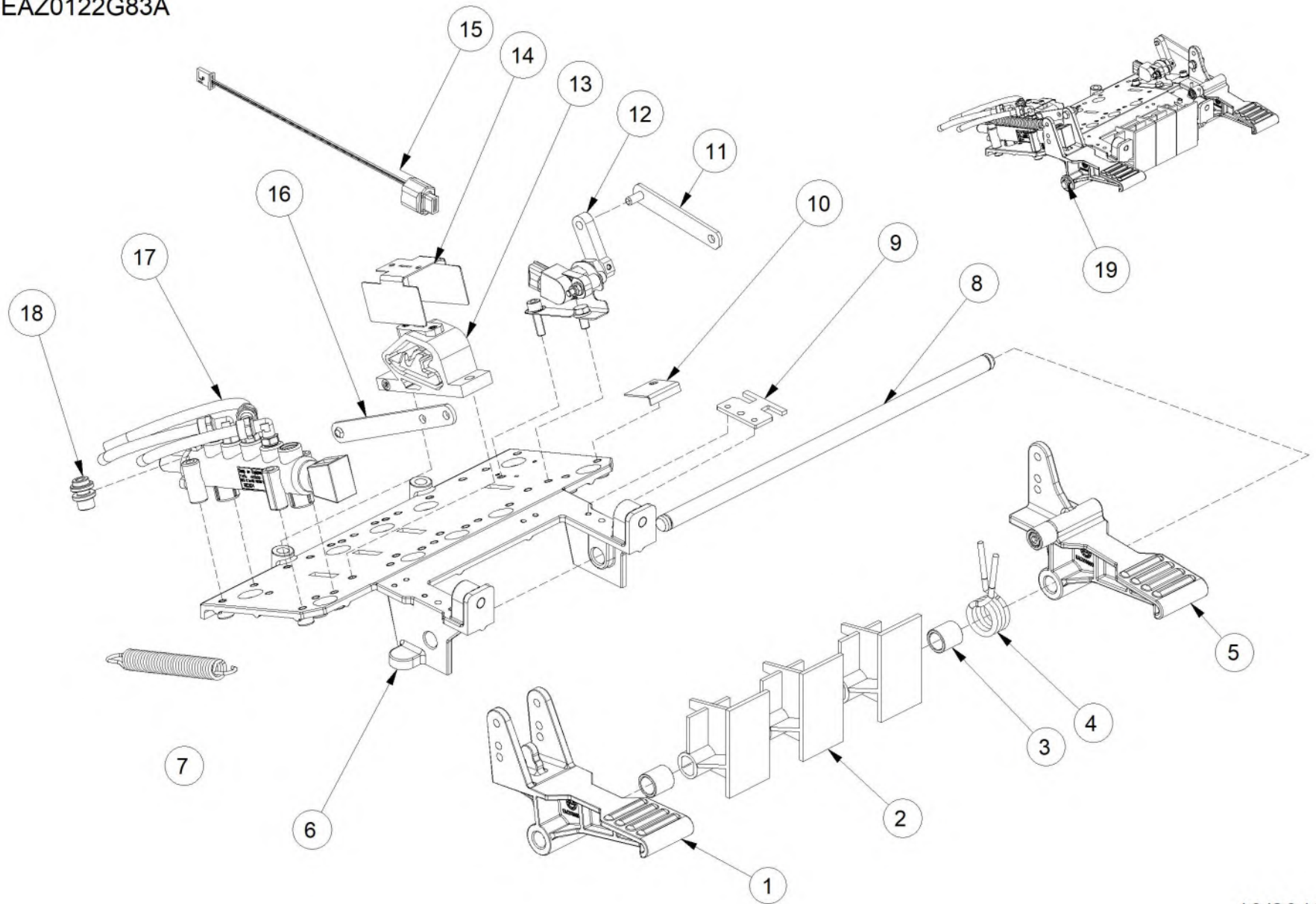
Pos	Code	Designation	Désignation	Designación	N.	Note	Nota	A	B	C
1	EAA0382G23A	GEARBOX	REDUCTEUR	REDUCTOR	1			X		
2	EAM0125G94A	PULLEY	POULIE	POLEA	1			X		
3	EAC0099G95A	BELT, A27	COURROIE A27	CORREA A27	1			X		x
3	EAC0078G58A	V BELT, A-26	COURROIE A-26	CORREA A-26	1			X		X
4	EAM0125G93A	PULLEY,1 GROOVE 60Hz,MACHINED	POULIE, 1 RAINURE 60Hz, USINEES	POLEA,1 GARGANTA, 60Hz,TRABAJADOS	1			X		
4	EAM0154G58A	PULLEY DP=2" HOLE D.5/8"	POULIE MOTEUR DP=2" - ORIF. D.5/8"	POLEA MOTOR DP=2" - ORIFICIO D.5/8"	1			X		
5	EAA0458G19A	MOTOR WITH CABLE FOR INVERTER	MOTEUR AVEC CABLE POUR CONVERTISSEU	MOTOR CON CABLE PARA INVERSOR	1			X		
5	EAA0534G62A	1 PHASE US MOTOR CABLE ASSEMBLY	GROUPE CABLE MOTEUR 1F US	GRUPO CABLE MOTOR 1F US	1			X		
6	EAS2131G28A	MOTOR SUPPORT	SUPPORT MOTEUR	SOPORTE MOTOR	1			X		
7	EAC0097G54A	WASHER SHOCK ABSORBER	RONDELLE-AMORTISSEMENT	ARANDELA DE AMORTIGUACIÓN	2			X		
8	EAM0032G93A	ANTIROTATION BUSHING	BUTEE ANTIROTATION	CASQUILLO ANTI-ROTACIÓN	2					X

**A** = available - disponible - disponible

**B** = on request - sur demande - a petición

**C** = suggested - suggeré - sugerido

EAZ0122G83A



10/2018

Pos	Code	Designation	Désignation	Designación	N.	Note	Nota	A	B	C
1	EAM0068G95A	STANDARD PEDAL - MACHINED	PEDAL STD.	PEDAL STD	1				X	
2	EAC0096G11A	SPACER-PEDAL	ENTRETOISE PÉDALES	DISTANCIADOR PEDALES	3				X	
3	EAM0048G79A	BUSHING, CENTERING- SPRING	COQUILLE SIEGE RESSORT	CASQUILLO CENTRADO MUELLE	2				X	
4	EAM0075G56A	SPRING, PEDAL SWITCH 2SPEED	RESSORT INTERRUPTEUR PÉDALE 2SP	MUELLE PEDAL INTERRUPTOR 2SP	1				X	x
5	EAA0356G92A	RIGHT SWITCH FOOT PEDAL	PEDALE INTERRUPTEUR DROIT	PEDAL INTERRUPTOR DER.	1				X	
6	EAM0068G80A	PEDAL ASM SUPPORT - MACHINED	SUPPORT JEU PÉDALES - USINÉ	SOPORTE JUEGO DE PEDALES-MECANIZADO	1				X	
7	EAM0075G91A	SPRING RECALL PEDALS	RESSORT RETOUR PEDALES	MUELLE DE RETORNO PEDALES	1				X	
8	EAM0068G10A	SHAFT-HINGE, PEDAL	PIVOT PEDALES	EJE PEDALES	1				X	
9	EAM0070G32A	COMMUTATOR SPRING GUIDE	GUIDE RESSORT INVERSEUR	GUÍ MUELLE INVERTIDOR	1				X	
10	EAS2140G74A	END STROKE FOR PEDAL	FIN DE COURSE PEDAL	FINAL CARRERA PEDAL	1				X	
11	EAS2132G66A	ROD PEDAL POTENTIOMETER	BIELLE POTENTIOMETRE	BIELA POTENCIÓMETRO	1				X	
12	EAK0330G64A	PEDAL CABLE WITH POTENTIOMETER	CABLE PEDALIER AVEC POTENTIOMETRE	CABLE PEDALERA CON POTENCIÓMETRO	1				X	x
13	EAC0103G56A	CAM FOR PEDAL	CAME PEDALE	LEVA PEDAL	1				X	
14	EAS2115G09A	PROTECTION SHEET FOR CAM	TOLE PROTECTION CAME	CHAPA PROTECCIÓN EXCÉNTRICO	1				X	
15	EAW0286G08A	CABLE FOR CTS POTENTIOMETER	CABLE POUR POTENTIOMETRE CTS	CABLE POTENCIÓMETRO CTS	1				X	x
16	EAS2111G73A	ROD POSITIONER PEDAL	BIELLE POSITIONNEMENT PEDALE	BIELA DE POSICIONAMIENTO PEDAL	1				X	x
17	EAA0440G88A	TURNTABLE PEDAL HOSES + VALVE	TUYAUX PEDALE PLATEAU TOURNANT + VANI	CONJ.TUBOS Y VÁLVULA PEDAL AUTOCENTR.	1				X	

**A** = available - disponible - disponible

**B** = on request - sur demande - a petición

**C** = suggested - suggeré - sugerido

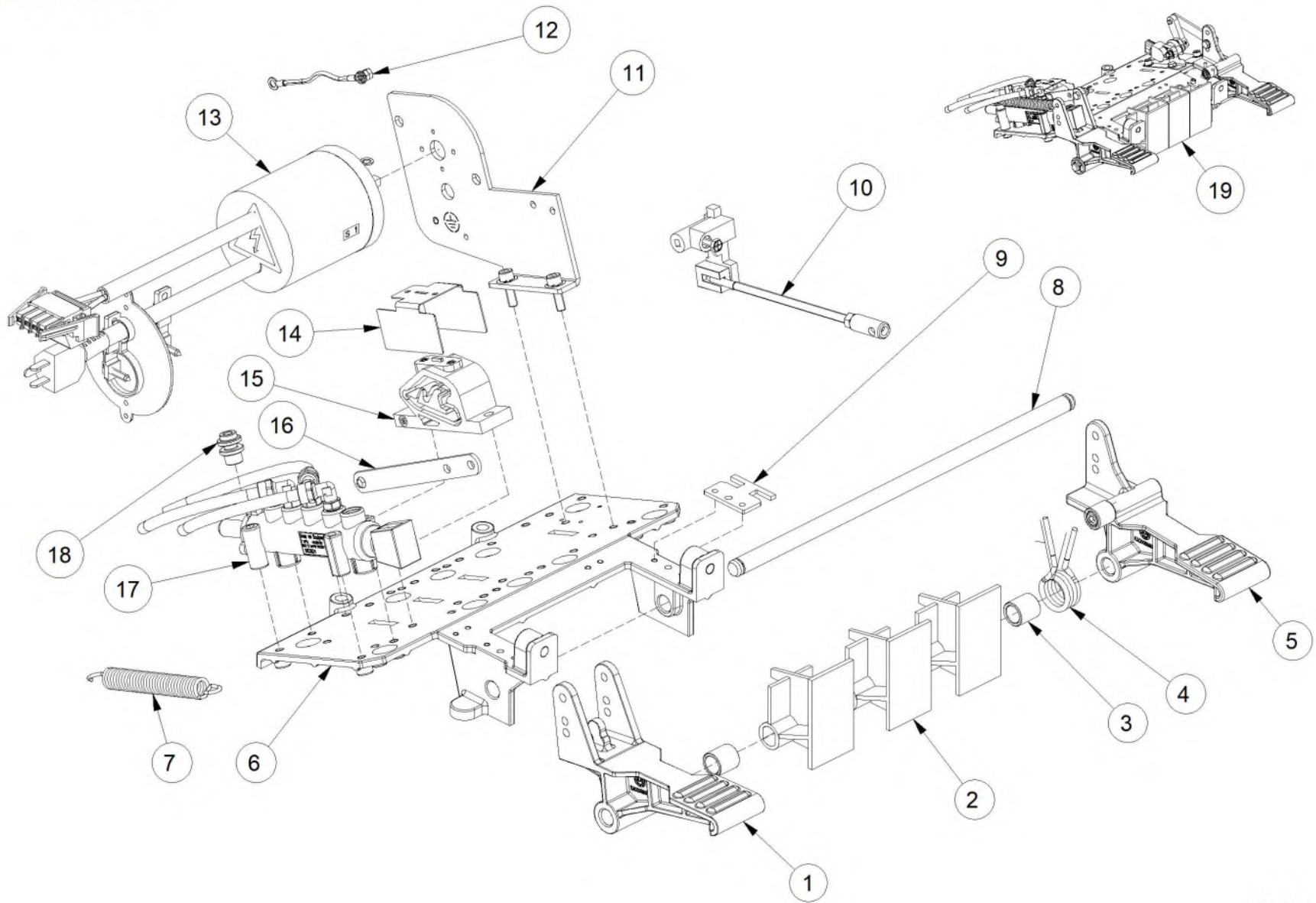
Pos	Code	Designation	Désignation	Designaciòn	N.	Note	Nota	A	B	C
18	EAC0099G82A	SPRING FIXING PAWL	CLIQUET RACCORD RESSORT	GARRA DE ENGANCHE MUELLE	1				X	
19	EAA0471G42A	FOOT PEDAL ASM 2 PEDALS	JEU PEDAL 2 PEDALS	JUEGO PEDAL 2 PEDALS	1				X	

**A** = available - disponible - disponible

**B** = on request - sur demande - a petición

**C** = suggested - suggeré - sugerido

EAZ0132G97A



10/2018

Pos	Code	Designation	Désignation	Designaciòn	N.	Note	Nota	A	B	C
1	EAM0068G95A	STANDARD PEDAL - MACHINED	PEDAL STD.	PEDAL STD	1				X	
2	EAC0096G11A	SPACER-PEDAL	ENTRETOISE PÉDALES	DISTANCIADOR PEDALES	3				X	
3	EAM0048G79A	BUSHING, CENTERING- SPRING	COQUILLE SIEGE RESSORT	CASQUILLO CENTRADO MUELLE	2				X	
4	EAM0048G78A	SPRING, PEDAL SWITCH	RESSORT, PEDAL INTERRUPTEUR	MUELLE PEDAL INTERRUPTOR	1				X	x
5	EAA0356G92A	RIGHT SWITCH FOOT PEDAL	PEDALE INTERRUPTEUR DROIT	PEDAL INTERRUPTOR DER.	1				X	
6	EAM0068G80A	PEDAL ASM SUPPORT - MACHINED	SUPPORT JEU PÉDALES - USINÉ	SOPORTE JUEGO DE PEDALES-MECANIZADO	1				X	
7	EAM0147G64A	SPRING RECALL PEDALS	RESSORT RETOUR PEDALES	MUELLE DE RETORNO PEDALES	2				X	
8	EAM0068G10A	SHAFT-HINGE, PEDAL	PIVOT PEDALES	EJE PEDALES	1				X	
9	EAM0070G32A	COMMUTATOR SPRING GUIDE	GUIDE RESSORT INVERSEUR	GUÍ MUELLE INVERTIDOR	1				X	
10	EAA0347G61A	ROD, REGISTER-REVERSING GEAR	BIELLE COMMANDE INVERSEUR	BIELA COMANDO INVERSOR	1				X	
11	EAA0394G63A	1S SWITCH SUPPORT ASM	SUPPORT INTERRUPTEUR 1S D	GRUPO SOPORTE INTERRUPTOR 1S DX	1				X	
12	EAK0279G40A	NUTS/BOLTS FOR SWITCH	KIT VIS FIXATION INVERSEUR	KIT TORNILLOS CONEXIÓN INTERRUPTOR	1				X	
13	EAA0394G36A	1 PHASE SWITCH-CABLE ASSY. DX US	GR. CABLE INVERSEUR MONOPHASE US DRO	GR. CABLE-INVERSOR MONOFASE US DERECH	1				X	
14	EAS2115G09A	PROTECTION SHEET FOR CAM	TOLE PROTECTION CAME	CHAPA PROTECCIÓN EXCÉNTRICO	1				X	
15	EAC0099G29A	CAM FOR PEDAL B	CAME PEDALE	LEVA PEDAL	1				X	
16	EAS2111G73A	ROD POSITIONER PEDAL	BIELLE POSITIONNEMENT PEDALE	BIELA DE POSICIONAMIENTO PEDAL	1				X	X
17	EAA0440G88A	TURNTABLE PEDAL HOSES + VALVE	TUYAUX PEDALE PLATEAU TOURNANT + VANI	CONJ.TUBOS Y VÁLVULA PEDAL AUTOCENTR.	1				X	

**A** = available - disponible - disponible

**B** = on request - sur demande - a petición

**C** = suggested - suggeré - sugerido

Pos	Code	Designation	Désignation	Designaciòn	N.	Note	Nota	A	B	C
18	EAC0099G82A	SPRING FIXING PAWL	CLIQUET RACCORD RESSORT	GARRA DE ENGANCHE MUELLE	1				X	
19	EAA0489G60A	FOOT PEDAL ASM 2P 1PH US 115V	JEU PEDAL 2 PEDALS 1PH US 115V	JUEGO DE PEDALES 2P 1PH 115V US	1				X	

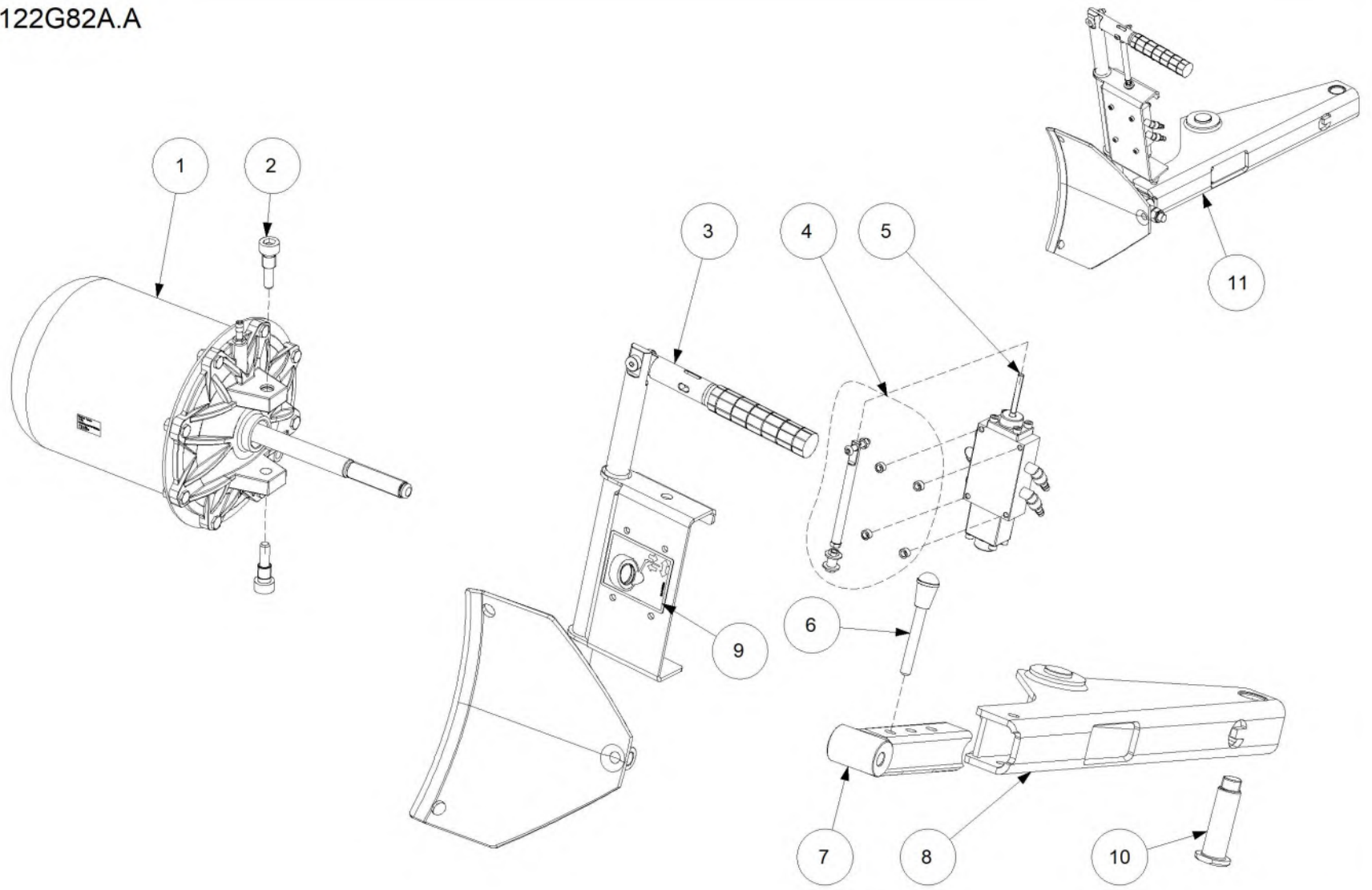
**A** = available - disponible - disponible

**B** = on request - sur demande - a petición

**C** = suggested - suggeré - sugerido



EAZ0122G82A.A



10/2018

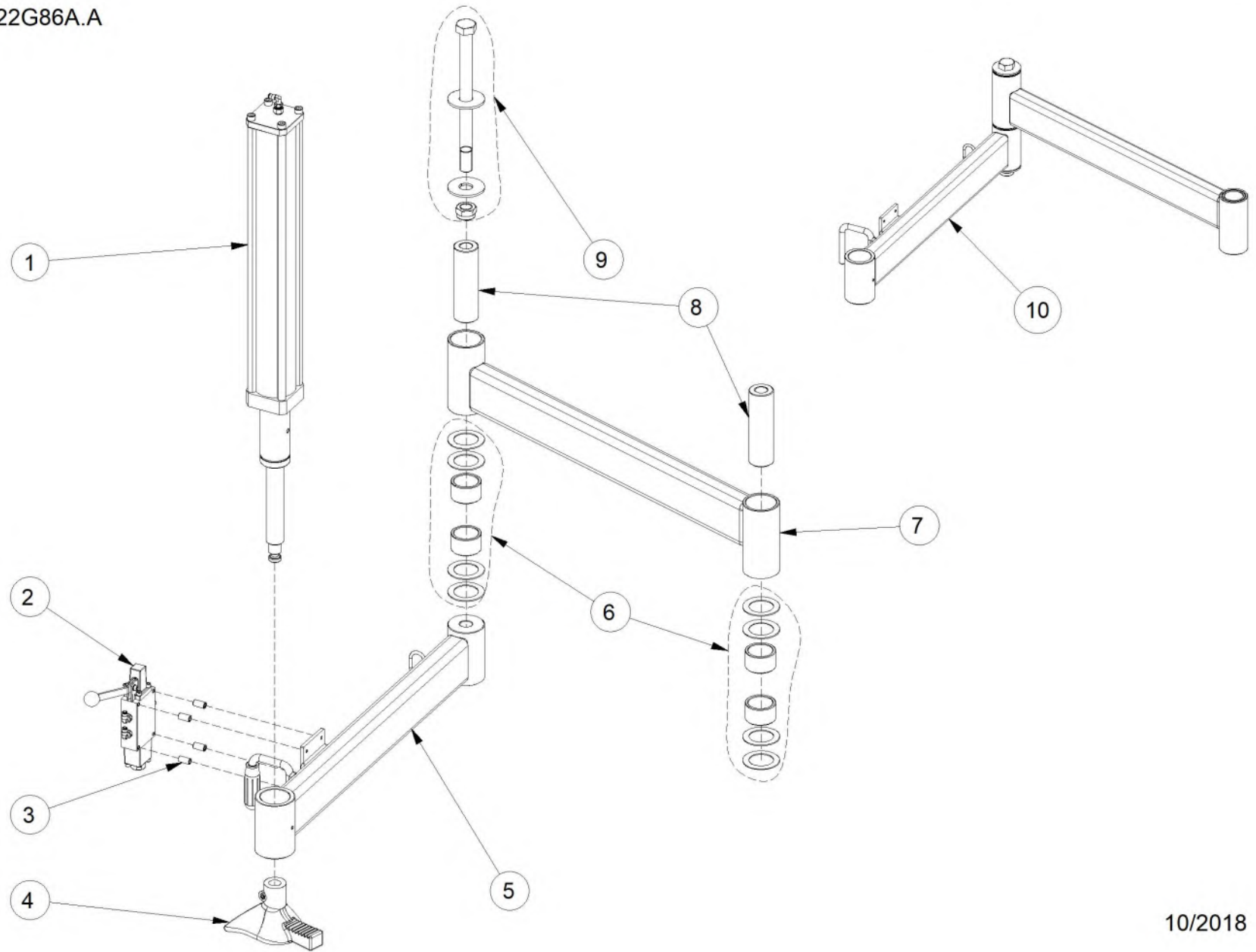
Pos	Code	Designation	Désignation	Designación	N.	Note	Nota	A	B	C
1	EAA0482G07A	CYLINDER, BEAD BREAKER	VERIN DETALONNEUR	CILINDRO DESTALONADOR	1			X		x
2	EAM0067G34A	SCREW, FITTING- CYLINDER B/BREAK	FIS FIXATION VERIN DETALONNEUR	TORNILLO FIJACIÓN CIL.DESTALON.	2			X		
3	EAK0330G94A	KIT BLADE AND HANDLE	KIT LAME ET POIGNEE	KIT HOJA Y MANDO	1				X	
4	EAK0330G95A	FIXING KIT BEAD BREAKER VALVE	KIT FIXATION VANNE DETALONNEUR	KIT FIJACIÓN VÁLVULA DESTALONADOR	1				X	
5	EAA0470G31A	BEAD BREAKER VALVE	VANNE DETALONNEUR	VÁLVULA DESTALONADOR	1			X		x
6	EAA0328G72A	PIN - LOCK	GOUPILLE DE REGLAGE	ESPINA DE REGLAJE	1			X		
7	EAS2169G69A	EXTENSION FOR B/BREAKER ARM	RALLONGE BRAS DETALONNEUR	ALARGADOR BRAZO DESTALONADOR	1			X		
8	EAS2196G59A	ARM SUPPORT BEAD BREAKER	SUPPORT BRAS DETALONNEUR	SOPORTE BRAZO DESTALONADOR R9005	1			X		
9	EAL0462G95A	BEAD BREAKER LABEL	ETIQUETTE DETALONNEUR	PLACA DESTALONADOR	1				X	
10	EAM0086G16A	FULCRUM-PIN BEAD-BREAKER	AXE PIVOT DETALONNEUR	PERNO PIVOTE DESTALONADOR	1			X		
11	EAA0471G89A	BEAD BREAKER GROUP	GRUPE DETALONNEUR	GRUPO DESTALONADOR	1				X	

**A** = available - disponible - disponible

**B** = on request - sur demande - a petición

**C** = suggested - sugeré - sugerido

EAZ0122G86A.A



10/2018

Pos	Code	Designation	Désignation	Designación	N.	Note	Nota	A	B	C
1	EAA0471G32A	CYLINDER FOR MH, SWING TC	VERIN POUR PRESSE TALON, EQUILIBRAGE T	CILINDRO PARA PRESIONATALÓN, SWING TC	1			X		x
2	EAA0470G30A	MH VALVE	VALVE MH	VÁLVULA MH	1			X		x
3	EAM0153G95A	SPACER	ENTRETOISE	SEPARADOR	4				X	
4	EAC0113G76A	BEAD PUSHER TOOL	OUTIL PRESSE-BOURRELET	HERRAMIENTA EMPUJE TALÓN	1				X	
5	EAA0471G90A	ARM, CYLINDER SUPPORT PAINTED	BRAS SUPPORT VERIN PEINT	BRAZO SOPORTE CILINDRO PINTADO	1				X	
6	EAK0330G96A	BUSHINGS AND WASHERS KIT	KIT BAGUES ET RONDELLES	KIT NIVELADORES Y COJINETES	1				X	
7	EAK0330G97A	ARM MH DEVICE WITH BUSHINGS	DISPOSITIF BRAS MH AVEC BAGUES	KIT BRAZO MH CON COJINETES	1				X	
8	EAM0146G86A	BUSHING FOR FULCRUM	BAGUE POUR PIVOT	CASQUILLO PARA PIVOTE	1				X	
9	EAK0330G98A	FULCRUM KIT FOR MH DEVICE	KIT PIVOT POUR DISPOSITIF MH	KIT PIVOTE DISPOSITIVO MH	1				X	
10	EAA0471G31A	MOUNTING HELPER DEVICE	DISPOSITIF PRESSE TALON MH	DISPOSITIVO PRESIONATALÓN MH	1				X	

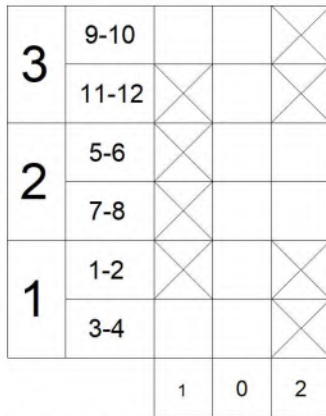
**A** = available - disponible - disponible

**B** = on request - sur demande - a petición

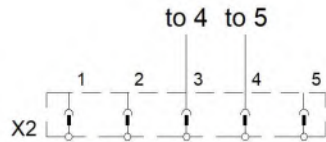
**C** = suggested - suggéré - sugerido



THE DATA, DRAWINGS, AND INFORMATION CONTAINED IN THIS DOCUMENT IS CONFIDENTIAL AND THE SOLE PROPERTY OF SNAP-ON, AND MAY NOT BE REPRODUCED, USED, OR DISCLOSED WITHOUT WRITTEN PERMISSION OF AN OFFICER OF SNAP-ON.		COPYRIGHT 1999	EEWH306AWD SHEET 1 OF 1
REV	CHANGES - MODIFICHE	DATE	NAME
E	Fixed motor wiring connections	2017.10.18	N. Castagnoli
D	Fixed switch connections	2012.03.30	N. Castagnoli
C	Added M.L. connector	2011.06.07	N. Castagnoli
B	Added Leeson diagram	2001-03-12	A. Pratzzoli

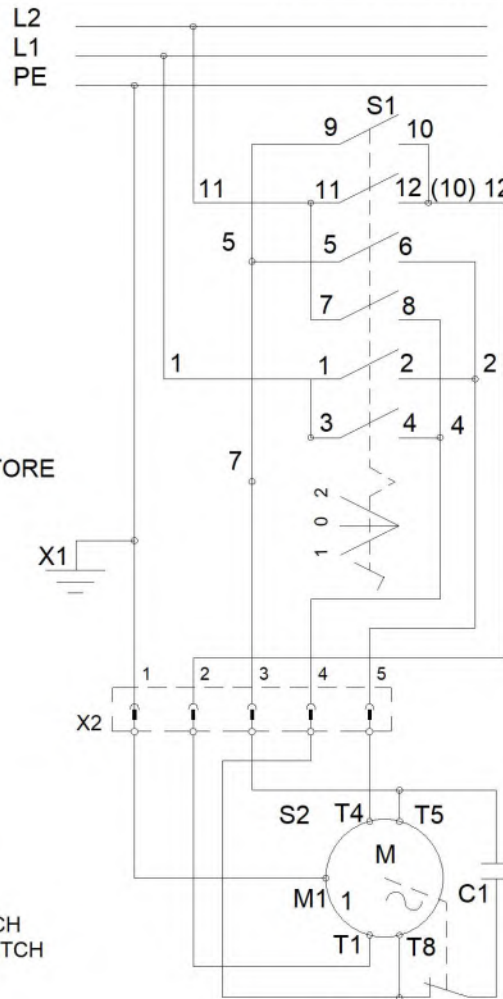


SCHEMA COLLEGAMENTO INVERTITORE  
INVERTER CONNECTION DIAGRAM



SCHEMA PEDALIERA SINISTRA  
LEFT PEDALSWITCH DIAGRAM

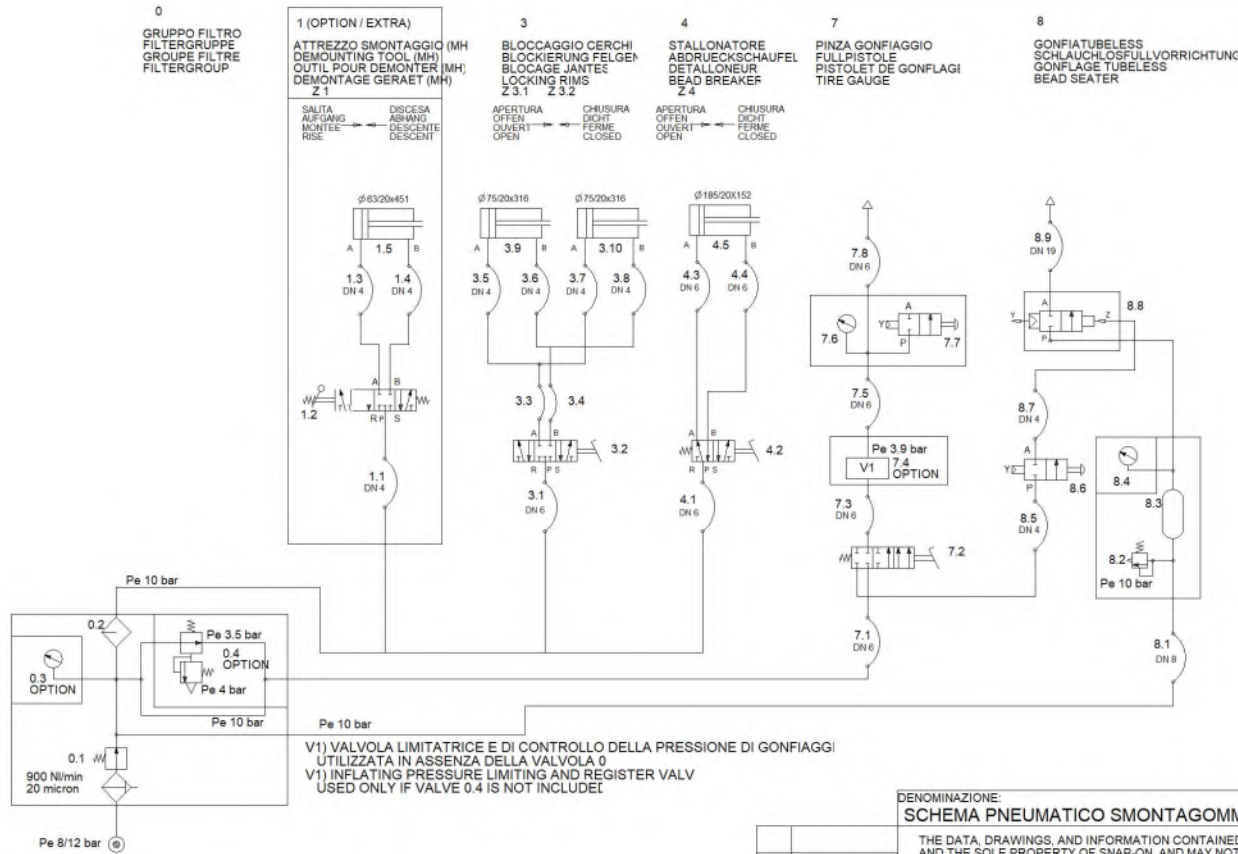
- C1 CONDENSATORE CAPACITOR
- S2 INT. CENTRIFUGO SPINNING SWITCH
- S1 INVERTITORE REVERSING SWITCH
- M1 MOTORE MOTOR
- X1 CARCASSA FRAME
- X2 CONNETTORE CONNECTOR



LEESON

DENOMINAZIONE: SCHEMA ELETTRICO MOTORE MONOFASE AMERICANO		FAMIGLIA: 824	COD. GS: 0014449
UNLESS OTHERWISE SPECIFIED DIMENSIONS ARE IN MILLIMETERS GENERAL TOLERANCES OVER 0.5 TO 6.0 ± 0.1 OVER 6.0 TO 30 ± 0.2 OVER 30 TO 120 ± 0.3 OVER 120 TO UP ± 0.5 ANGULAR ± 1° HOLES ± 0.1 SHEET METAL ± 0.5 SURFACE: ISO 1302		MATERIAL	<i>Snap-on</i>
E 17G0415		FINISH	CORREGGIO, ITALY
D 12G0130		PROJ NO 3400	ONE PHASE
C 11G0146		DR FUSARI 1999-05-13	AMERICAN MOTOR
B		CK	ELECTRIC DIAGRAM
A		A4 APP	RELEASE REV E
REV PCN HISTORY	FIRST ANGLE PROJECTION	DWG	EEWH306AWD
		SUPERCEDES	SHEET 1 OF 1

REV	CHANGES - MODIFICHE	DATE	NAME
A	Rilascio per produzione Release for manufacturing	2018 Oct 02	M. Neri



DENOMINAZIONE: <b>SCHEMA PNEUMATICO SMONTAGOMME SWING</b>		FAMIGLIA: <b>TEEWH003S</b>	COD. GS:
THE DATA, DRAWINGS, AND INFORMATION CONTAINED IN THIS DOCUMENT IS CONFIDENTIAL AND THE SOLE PROPERTY OF SNAP-ON, AND MAY NOT BE REPRODUCED, USED, OR DISCLOSED WITHOUT WRITTEN PERMISSION OF AN OFFICER OF SNAP-ON.			COPYRIGHT 2018
UNLESS OTHERWISE SPECIFIED DIMENSIONS ARE IN MILLIMETERS GENERAL TOLERANCES		MATERIAL	
LASER CUT ISO 2768-mk MACHINING ISO 2768-mk BENDING ISO 2768-mk WELDING ISO 13920-AE PLASTIC (MOULD) DIN 16901 PLASTIC (ROTO) ± 1% CASTING ISO 8062-3 G8 MICRO-CASTING VDG-P690 D2		FINISH -	
A 18G0321		PROJ NO	SCALE 1,000
1 18G058P		DR M. Neri	2018 May 25
REV/PCN HISTORY		CK M. Mariani	2018 May 25
FIRST ANGLE PROJECTION		APP P. Sotgiu	2018 May 25
A3		QUALITY DOC	N/A
SUPERCEDES		N/A	
		RELEASE	REV A
		TEEWH003S SHEET 1 OF 1	

**Notice:** The information contained in this document is subject to change without notice. **Snap-on Equipment** makes no warranty with regard to present documentation. **Snap-on Equipment** shall not be liable for errors contained herein or for incidental consequential damages in connection with furnishings, performance, or use of this material.

This document contains proprietary information which is protected by copyright and patents. All rights are reserved. No part of this document may be photocopied, reproduced, or translated without prior written consent of Snapon Equipment.

- Manufacturing Facilities -  
· **Snap-on Equipment SrL · Via Per Carpi 33 - 42015 Correggio RE - Italy ·**  
· **Snap-on Equipment · 309 Exchange Avenue Conway, Arkansas 72032 ·**  
- Technical alterations reserved - Refer to the data plates for effective manufacturing location -