

HOFMANN®



monty 1625 CSA smartSpeed

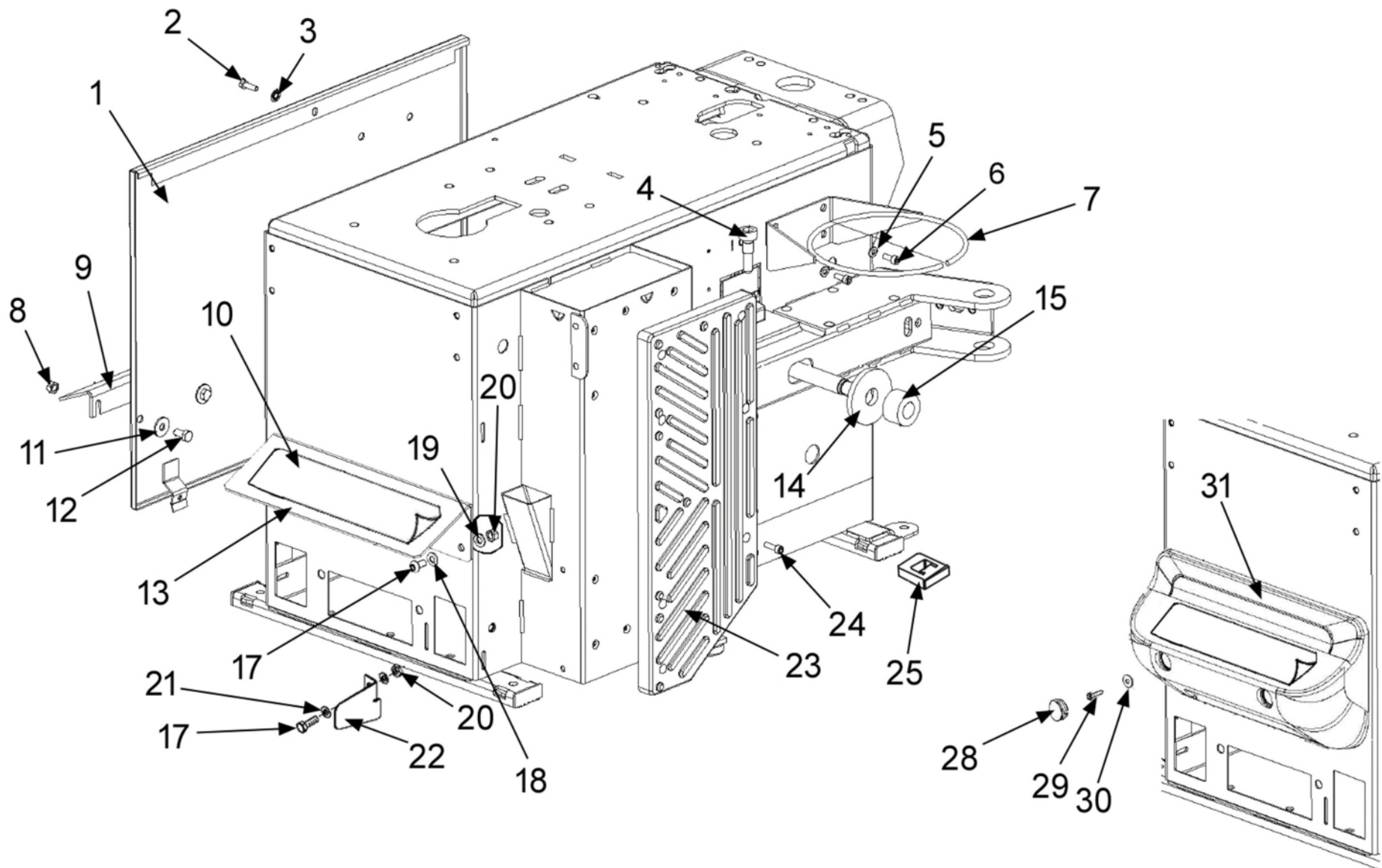
Spare Parts List



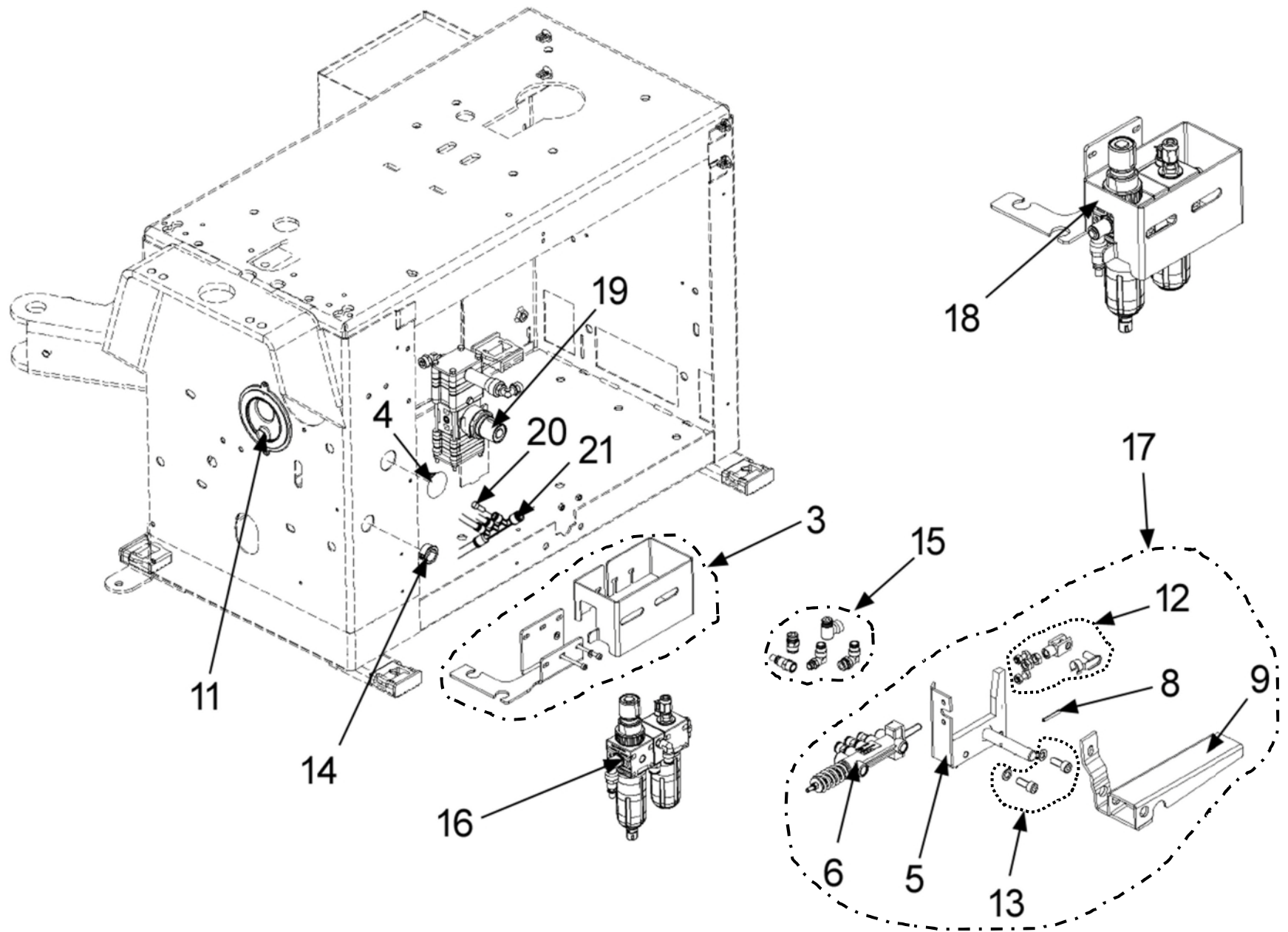
BOM EEW784AUB Monty 1625 CSA SmartSpeed

Part Number	Quantity	Description
EAA0270J65A	1	TC Assy EEEWH784AUB Monty 1625
ZEEWH784AU9	1	Tech Doc Monty 1625 - CSA
EAC0078G13A	5	Back Plastic Rim Protector
EAC0097G47A	1	Wave Tire Mounting Lever
EAC0113G61A	5	Rim Protector Plastic
EAK0329G86A	1	Lightalloy Rim Protector Front Only
5-14126A	1	Brush Tire Lube Applicator
01267267000	1	Wire Dauber
00066006000	1	Bottle - Lube
8-03229A	1	Lubricant - Tire Mounting 75N
EAL0467G92A	1	Decal TC Lever Warning
EAL0408G12A	1	Label Patents
EAL0413G31A	1	Label Ground
19159	1	Label Drain Water
24212	1	Placard Danger TC Eng Spanish
EAL0408G24A	1	Label Oil
EAL0383G34A	1	Label Danger
EAL0383G32A	1	Label Danger
16510	1	Label Danger
EAL0343J76B	1	Serial Label Document
EAL0413G34A	1	Label Inflator
EAL0412G13A	1	Stickers Pedal
EAL0383G01A	1	Rotation Direction Label
EAC0100G55A	1	Label Sealing Hole

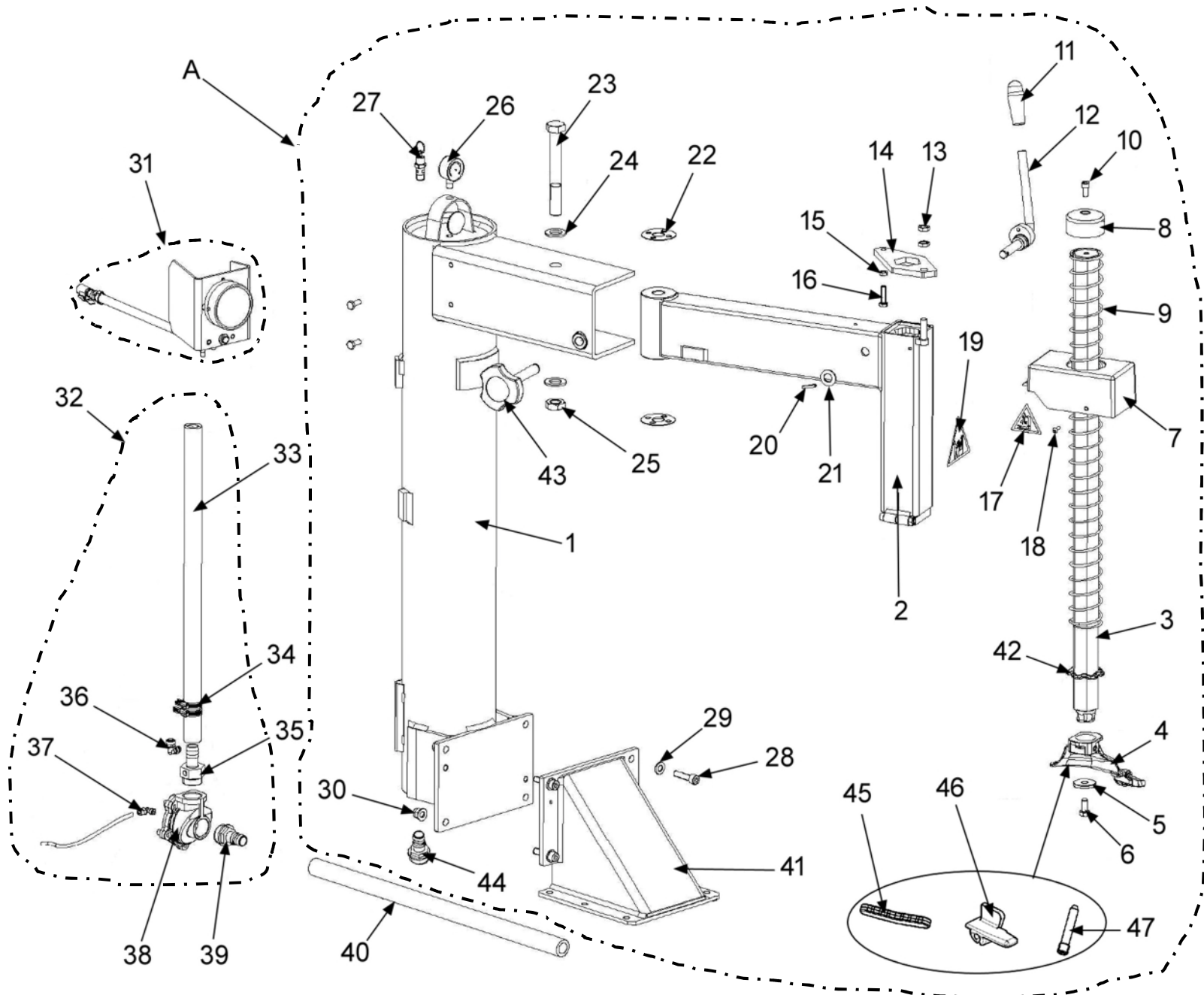
Part Number	Quantity	Description
EAL0383G10A	1	Label Hofmann
EAL0395G89A	1	Decal Hofmann
27382	1	Decal Monty 1625
16511	1	Label - Danger
EAL0408G25A	1	Label Pressure Min Max
25701	1	Label - No Adjust



Ref	Qty	Part Number	Description	
1	1	EAS2029J62A	Black Side Panel	EAS2126G60A
2	1	1-30901A2	Screw 6 x 20 Hex Head	
3	1	1-1548	Washer - Lock D 6	
4	2	EAM0067G34A	Screw, Fitting - Cylinder B/Break	
5	2	1-9841	Washer, Plain D 6 Zinc.	
6	2	1-16309	Screw Hex Socket M6 x 16	
7	1	EAA0349G76A	Ring - Box, Grease	
8	2	1-15933A	Nut M8	1-11733
9	1	EAS2115G83A	Protector, Pedal	
10	1	EAL0412G13A	Sticker Pedals	
11	2	1-17841	Washer - D 8 x 24	
12	2	1-32501A	Screw 8 x 16	
13	1	EAS2115G04A	Pedal Protection	EAC0114G09A
14	1	EAS2097G96A	Washer, Support - Bead Breaker	EAM0067G33A
15	1	EAC0097G51A	Washer - Shock Absorber	
17	3	1-32701	Screw - M8 x 25 mm Hex Head	
18	2	1-10041	Washer M8	
19	2	1-3048	Lock Washer	
20	3	1-15933A	Nut Hex M8 - 1.25 mm	
21	2	1-17741	Washer D 8	
22	1	EAS2100G95A	Pedal - Reverser Protection	
23	1	EAC0099G22A	Pad - Support, Beadbreaker	
24	7	1-16409A	Screw 6 x 20 Hex Drive	
25	4	EAC0097G52A	Foot Square	
28	2	EAC0114G12A	Cup For Frontal Protection	
29	2	1-24223A	Screw - Self-thread 10 x 16	
30	2	1-19041A	Washer 5 x 16 x 1	
31	1	EAC0114G09A	Front Plastic Pedals Protection	

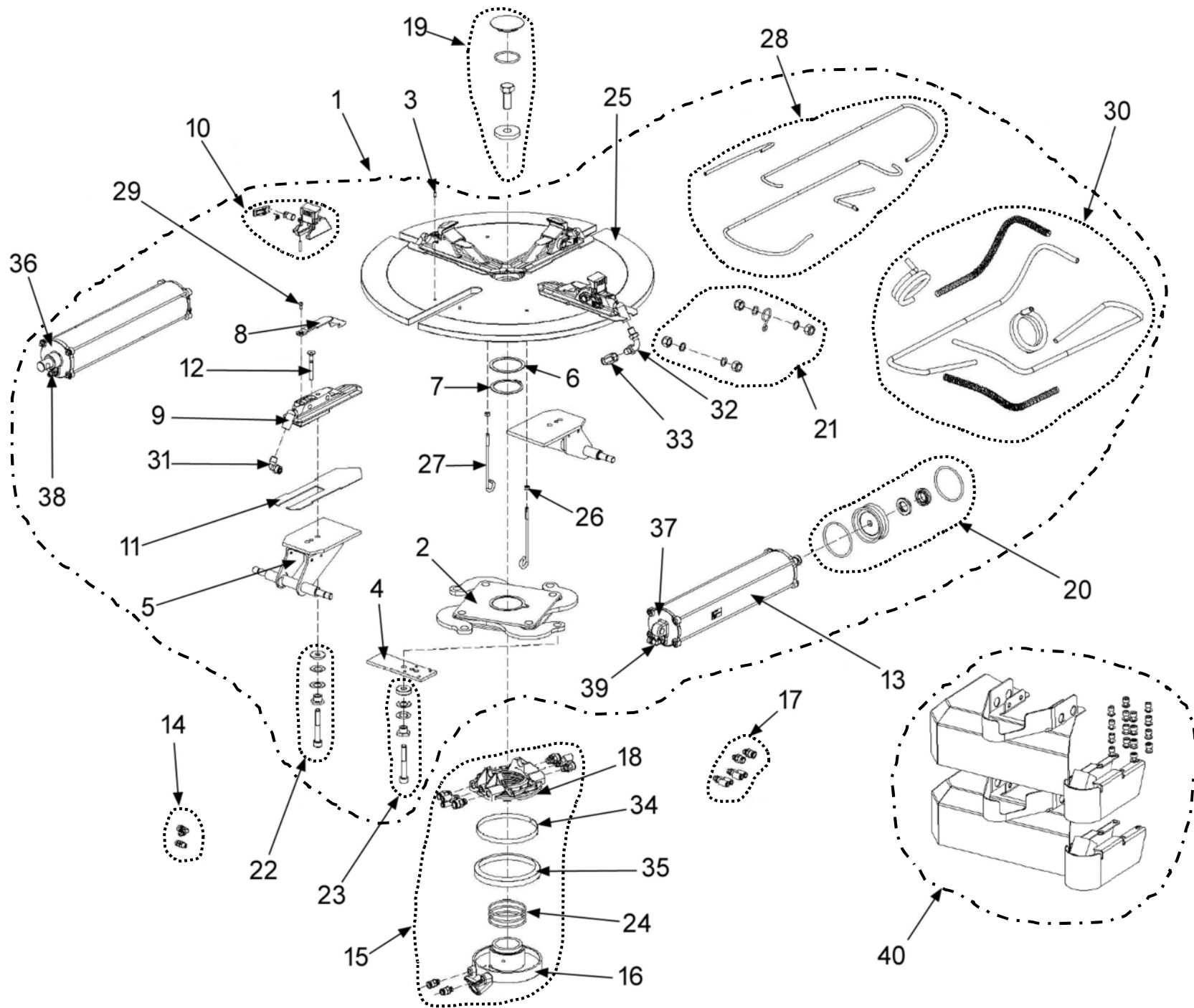


Ref	Qty	Part Number	Description	
3	1	EAK0330G49A	Na Lub. Filter Fixing Kit	
4	1	1-08676A	Cap, Closing	
5	1	EAS2134G52A	Gt Pedal Support	
6	1	ST4029115	Valve, Bead Inflating	EAA0329G75A
8	1	ST7023119	Pin - Straight Slotted 4 x 30	1-6652
9	1	ST4029114	Inflator Pedal Cataphor	EAS2068G87A
11	1	EAC0100G22A	Cable Protection	
12	1	EAK0306G32A	Screws And Bolts For Gt Valve	
13	1	EAK0306G33A	Screws And Bolts For Gt Pedal	
14	1	8-11616A	Snap Bushing	
15	1	EAK0315G99A	Fittings Kit For Filter	
16	1	EAA0439G90A	Filter - Press. Reg	
17	1	EAA0384G14A	Group, Bead Inflating Pedal	
18	1	EAA0489G30A	Lubricator Filter Group	
19	1	EAA0384G22A	Valve, Air Control	
20	1	1-09176A	Cap, Fitting D 6	
21	1	1-12379A	Multi - Tee 08-06	



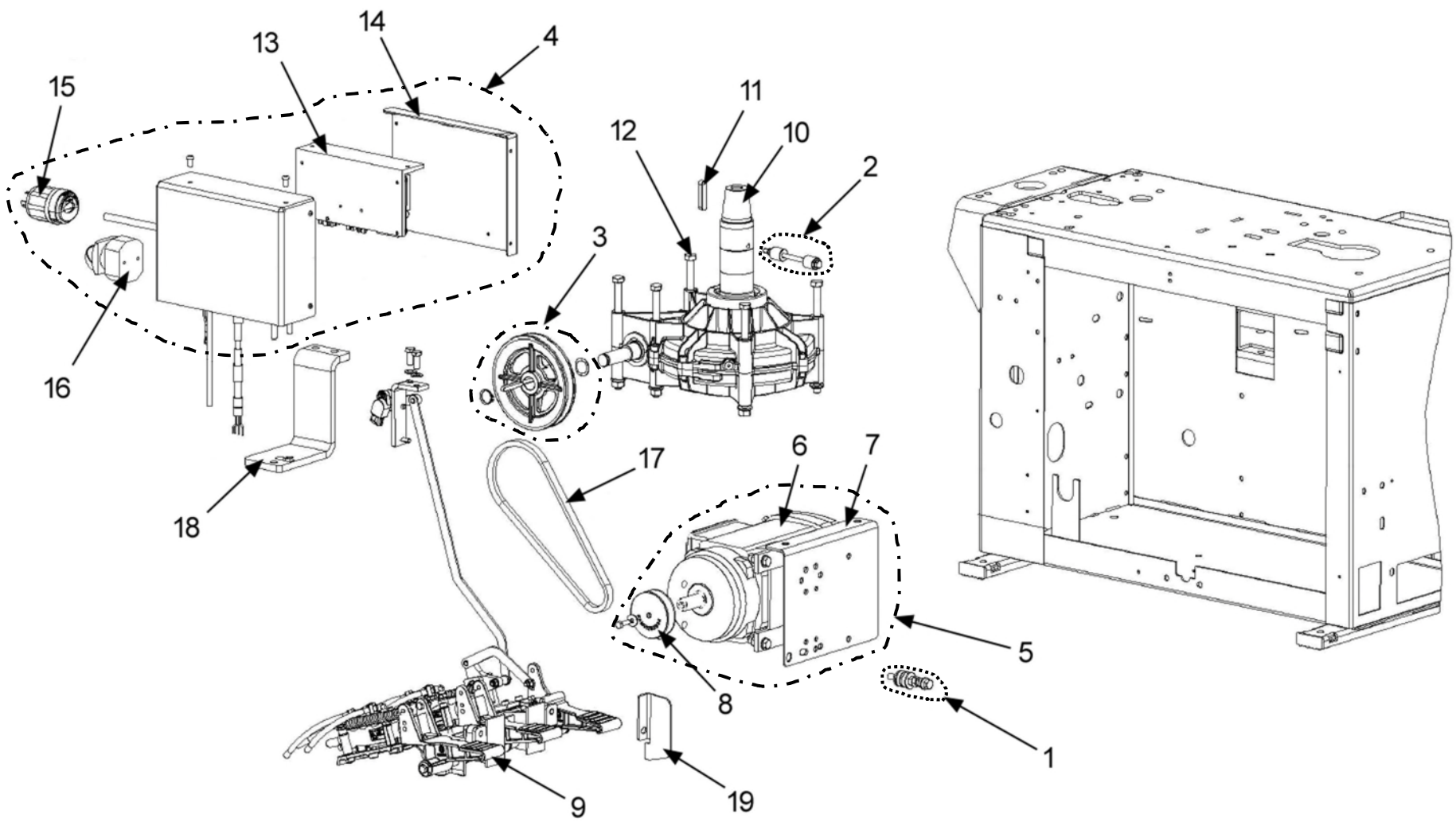
Ref	Qty	Part Number	Description	
A	1	EAA0270J39A	TC Tower Air Offset Assy	
1	1	EAS2141J21A	Swing Column	EAS2169G73A
2	1	EAM0010J44A	Swing Arm	EAA0440G41A
3	1	EAM0122G32A	Rod - Vertical	
4	1	EAA0329G95A	Mounting / Demounting Tool	
5	1	EAM0032G02A	Washer - Tool Clamping	
6	1	1-44901A	Screw Hex 10 x 20 8G	1-34301A
7	1	4020113	Protection, Upper Tower	EAM0126G17A
8	1	EAM0140G92A	Cover For Hex Bar	
9	1	EAS2153G47A	Spring - Recall, Tower, Vertical	
10	1	1-17609A	Screw, 8 x 16 8.8 Uni 5931-67	
11	1	EAC0078G04A	Handle - Rubber	
12	1	EAS2108G36A	Lever, Register	
13	2	1-19633B	Nut - M10 6S Blk Uni 5589-65	
14	1	EAM0010J50A	Lever - Necking	EAS2153G46A
15	1	1-15933A	Nut M8 Din 936 - Uni 5589	
16	1	EAM0067G26A	Screw, Adjustment - Rod	
17	2	EAL0408G42A	Sticker Danger	
18	3	1-63709A	Screw Tbei 5 x 16 8.8	1-49709A
19	1	EAL0408G44A	Danger Label	
20	1	1-6452	Pin, Straight Slotted	
21	1	1-10341	Washer - D 14	
22	2	EAM0067G29A	Washer - Adjustment	
23	1	EAM0067G25A	Screw, Swing Arm Support	
24	2	1-10641	Washer	
25	1	1-21633A	Nut	
26	1	8-06120A	Manometer - Radial 0-16 D 40	
27	1	1-31381A	Valve, Asme Safety, 1/4" Bspt	
28	4	1-19409	Screw Tcei 10 x 40	
29	8	1-10141A1	Washer P D 10	
30	4	1-15433	Nut Selfclamping	7020879
31	1	EAA0332G46A	Assy, Gauge - Pressure Psi / Kpa	EAA0332G48A
32	1	EAA0351G06A	Assy, Valve - Pneumatic	EAA0351G03A

Ref	Qty	Part Number	Description	
33	mr	2072705	Hose, Air sold by the meter	27096
34	4	EAM0075G29A	Clip, Locking - Hose	
35	1	15658	Fitting, Rub. Holder 1" Long	
36	1	1-17279A	Fitting "L" 6 x 8 1/8	
37	1	1-17179A	Elbow Fitting "L" 4 x 6 1/4"	
38	1	1-29581A	Valve, Air - Controlled	
39	1	EAM0071G99A	Fitting, Support M1"- 20	
40	mr	2072705	Hose, Air sold by the meter	14121
41	1	EAS2141J20A	Column Support	EAS2169G72A
42	1	EAC0094G02A	Ring, Shock - Absorber	
43	1	EAA0270J79A	Handle With Screw	1-03512A
44	1	1-41880A	3/4" NPT to 3/4" Hose Barb	
45	1	EAC0078G13A	Back Plastic Rim Protection	
46	1	EAC0113G61A	Plastic Rim Protection	
47	1	EAM0043G53A	Pin M5 Hexagonal Socket	

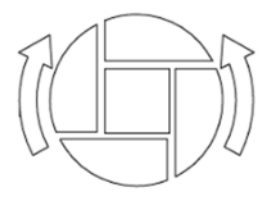
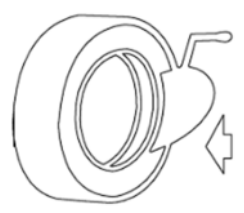
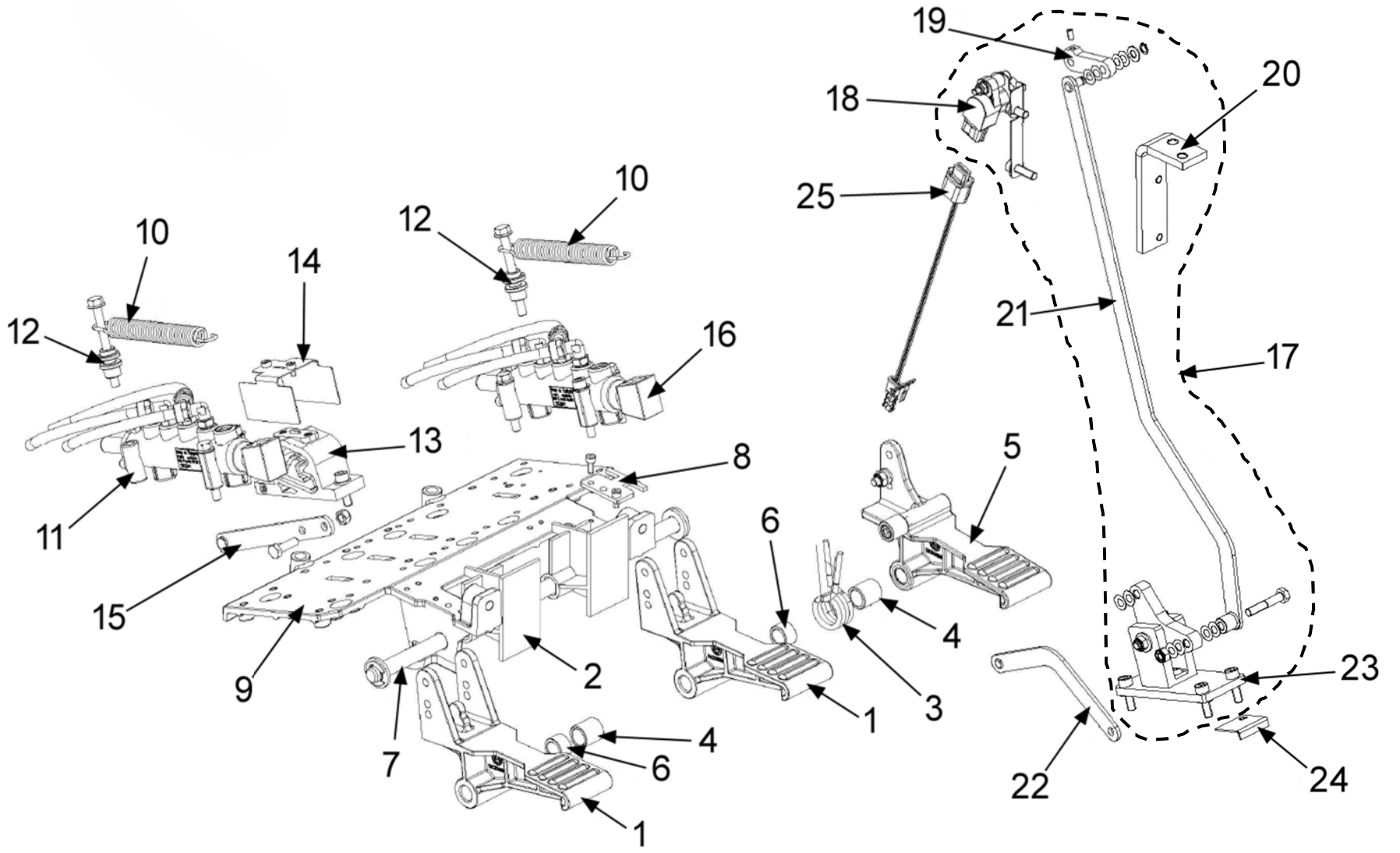


Ref	Qty	Part Number	Description	
1	1	EAA0409G85A	Turntable 24" Center Type No Gt	EAA0489G97A
2	1	EAA0351G73A	Clamp Actioning Plate	EAA0489G39A
3	8	1-25952A	Pin Dowel 5 x 10 Uni En 28734	
4	2	EAM0043G49A	Plate, Register - Clamp	
5	2	EAA0377G79A	Bracket Cylinders	
6	1	EAM0051G85A	Support, Ring	
7	1	1-18677A	Ring - Stop D 60	
8	4	EAC0099G90A	Protection Jaws New	
9	4	ST0029428	Clamp, Sliding W/Centre 20"	EAM0075G00A
10	4	EAA0408G23A	Assembled Sliding Jaw C/Type V2	
11	4	EAM0051G00A	Sliding Clamp Guide	EAS2201G51A
12	4	1-24603A	Screw Tsei 8 x 60 12.9	
13	2	EAA0410G31A	Cylinder, Turntable	
14	1	EAK0330G35A	Tt Cylinder Fittings Kit	
15	1	EAA0304G69A	Revolving Manifold, Tubeless Inflator	
16	1	EAA0338G27A	Ring - Inside, With Supports	
17	1	EAK0330G28A	Revolving Manifold Fittings Kit	
18	1	EAA0338G76A	Ring, Outer - Manifold	
19	1	EAK0306G25A	Turntable Fixing Kit	

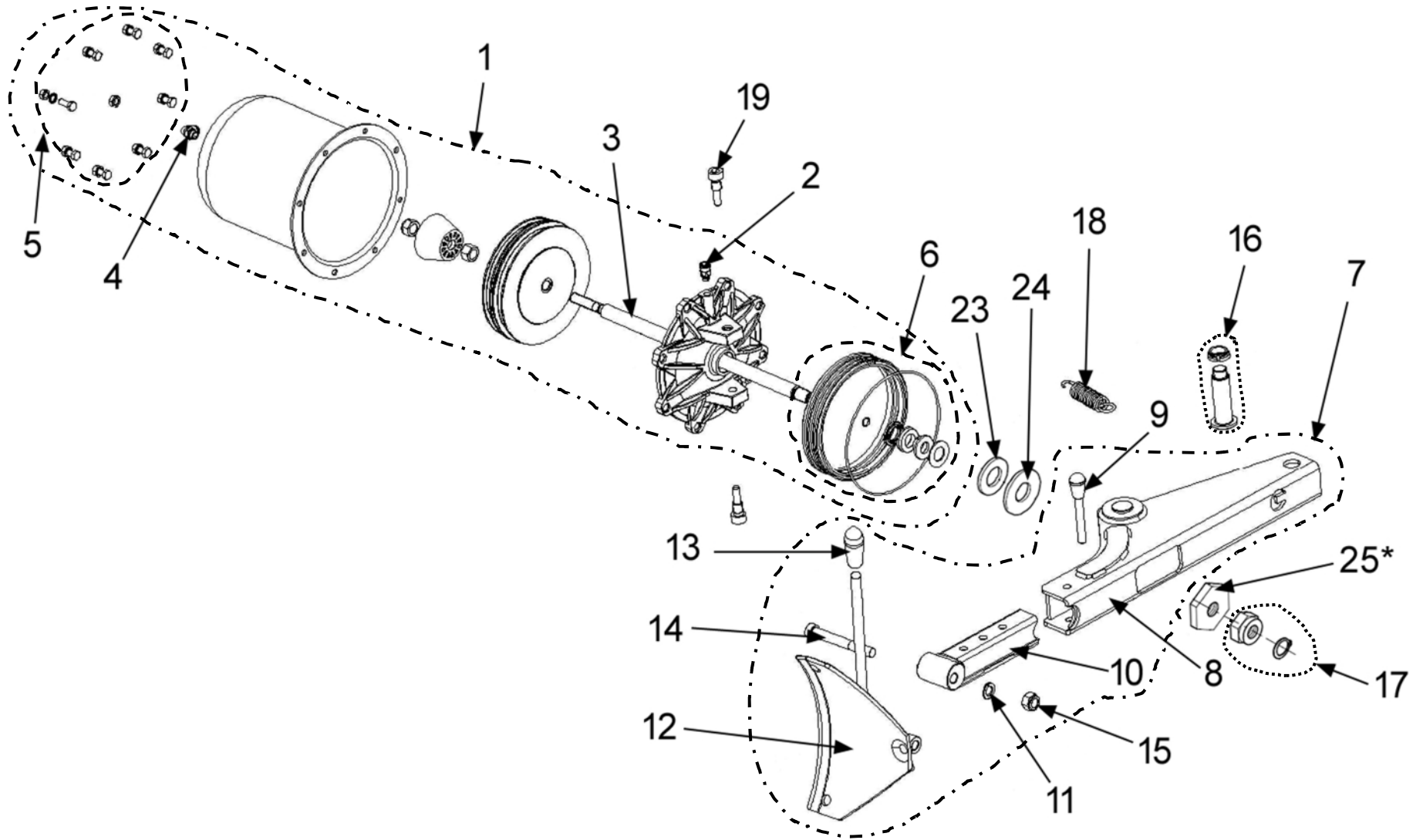
Ref	Qty	Part Number	Description	
20	2	EAK0317G36A	Seal For Round Cylinder	
21	1	EAK0306G27A	Screws And Bolts For Turntable Cyl.	
22	2	EAK0329G89A	Screws And Bolts For Clamps	
23	2	EAK0329G88A	Screws And Bolts With Eccentric	
24	3	8-10814A	Seal Or D 69.44 x 3.53	
25	1	EAS2153G40A	Turntable Flange, C/Type	EAA0481G73A
26	2	1-11633A	Nut - Hex M6 6S	
27	2	EAM0051G90A	Support, Pipe Gt (White Galvan.)	
28	1	EAK0341G62A	Turntables Hoses Kit	
29	4	1-36109A2	Screw 5 x 10	
30	1	EAK0341G63A	Turntable Hoses Kit For Gt	
31	2	1-14379A	Fitting - 90 Deg L 1/4 8 x 10	
32	2	EAM0051G83A	Pipe For Terminal Gt	
33	2	1-27379A	Fitting, Swift F 8 x 10 1/4"	1-14479A
34	1	EAA0338G77A	Spring, Joint Sealing	
35	1	EAC0087G50A	Seal Tubeless Inflator - Front Joint	
36	2	ST0019653	Front Cylinder Flange, Shaft end	
37	2	ST0019652	Rear Cylinder Flange	
38	2	ST0001368	Straight Fitting 4 x 6 mm 1/8" (Nut & Ferrule) 1-27179A	
39	2	1-18879A	Elbow Fitting 4 x 6 mm 1/8" (Nut & Ferrule)	
40	1	EAA0458G96A	Anti Entrapment Protection Kit 24"	



Ref	Qty	Part Number	Description	
1	1	EAK0279G66A	Belt Tightener Kit	
2	1	EAK0279G67A	Antirootation Kit	
	1	1-50301A	Screw M6 x 10	
	2	1-9841	Washer D 6	
	2	EAM0032G93A	Antirootation Bushing	
	1	1-01637A	Nut M6	
3	1	EAK0341G09A	Reduction Unit Pulley Kit	
	1	EAM0125G94A	Pully DP 130 Alu Cast Machined	
	1	1-03472A	Key 6 x 6 x 45	
	1	1-18577A	Ring Snap Shaft D 19	
	1	1-24477A	Washer Wave 19 mm ID	
4	1	EAA0523G10A	CSA Inverter Box Assy	
5	1	EAA0523G08A	Motor Assy	
6	1	2-97366A	Motor 3Ph 60Hz	
7	1	EAS2131G28A	Motor Support	
8	1	EAM0125G93A	Pulley, 1 Groove 60Hz, Machined	
9	1	EAA0523G17A	CSA Pedal Unit - 3P, Remote Potent.	
10	1	EAA0382G23A	Gearbox	EAA0457G27A
11	1	1-1572	Key - 10 x 8 x 45	
12	1	EAK0306G75A	Screws Kit For Gearbox	
	6	1-10141A1	Washer D 10	
	6	13148	Shakeproof Washer D 10	
	4	1-15433	Nut M10	
	6	1-50401A	Screw 10 x 160	
13	1	EAA0481G15A	Inverter For Enhanced Potentiometer	
14	1	EAA0524G20A	Inverter Box Cover	
15	1	2-28647A	1 Phase Locking Plug 250V 20A	
16	1	2-14861A	Bipolar Power Switch	
17	1	EAC0078G58A	Belt, A26	
18	1	EAS2089G36A	Sheet, Upper Fixing, Black	
19	1	EAS2100G95A	Pedal - Reverser Protection	



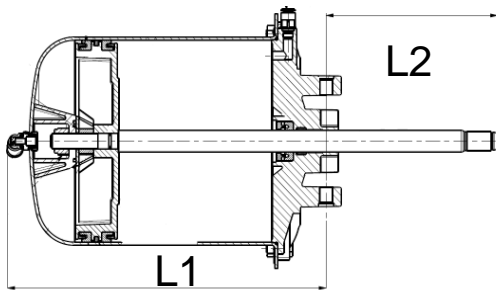
Ref	Qty	Part Number	Description
1	2	EAM0068G95A	Standard Pedal - Machined
2	2	EAC0096G11A	Spacer - Pedal
3	1	EAM0075G56A	Spring, Pedal Switch 2 Speed
4	2	EAM0048G79A	Bushing, Centering - Spring
5	1	EAA0356G92A	Right Switch Foot Pedal
6	1	EAM0070G46A	Spacer L=11 mm
7	1	EAM0068G10A	Shaft - Hinge, Pedal
8	1	EAM0070G32A	Commutator Spring Guide
9	1	EAM0068G80A	Pedal Asm Support - Machined
10	2	EAM0147G64A	Spring Recall Pedals
11	1	EAA0440G88A	Turntable Pedal Hoses + Valve
	1	EAA0356G94A	Turntable Valve
	1	EAA0440G85A	Hose group
12	1	EAC0099G82A	Spring Fixing Pawl
13	1	EAC0103G56A	Cam For Pedal
14	1	EAS2115G09A	Protection Sheet For Cam
15	1	EAS2111G73A	Rod Positioner Pedal
16	1	EAA0440G87A	Bead Breaker Pedal Hoses + Valve
	1	EAA0356G94A	Bead Breaker Valve
	1	EAA0440G84A	Hose group
17	1	EAA0524G08A	Assy, Remote Potentiometer
18	1	EAA0425G42A	Pedal Cable With Potentiometer
19	1	EAC0115G55A	Potentiometer Rod
20	1	EAM0192G58A	Potentiometer Support
21	1	EAS2239G21A	Potentiometer Connecting Rod
22	1	EAS2238G73A	Foot Pedal Connecting Rod
23	1	EAA0523G49A	Support
24	1	EAS2140G74A	End Stroke For Pedal
25	1	EAW0286G08A	Cable For CTS Potentiometer



Bead Breaker Assembly

May 2021 (84BEQxxx) to Feb 2023 (84BBSxxx)

Ref	Qty	Part Number	Description	
1	1	EAA0329G49A	TC 22" Bead Breaker Cylinder	EAA0377G31A
3	1	EAM0048G07A	Rod Bead - Breaker Cylinder	EAM0085G80A
7	1	EAA0338G44A	Complete Bead Breaker Arm	
8	1	ST4025385	Arm Support, Bead - Breaker Support	EAS2108G27A
10	1	ST4022408	Extension - Arm, B/Breaker	EAS2087G90A
12	1	ST4021305	Blade, Beadbreaker	EAS2087G93A



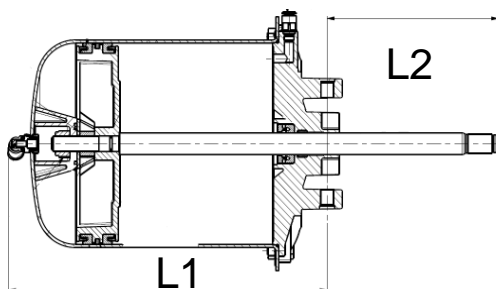
L1 12.21"

L2 7.5" in & 13.5" out

Bead Breaker Assembly

March 2023 (84BCSxxx) to Present

Ref	Qty	Part Number	Description	
1	1	EAA0490G01A	TC 22" Bead Breaker Cylinder	
3	1	EAM0167G42A	Rod Bead - Breaker Cylinder	
7	1	EAA0490G02A	Complete Bead Breaker Arm	
8	1	EAS2196G59A	Arm Support, Bead - Breaker Support	
10	1	EAS2169G69A	Extension - Arm, B/Breaker	
12	1	EAS2153G37A	Blade, Beadbreaker	

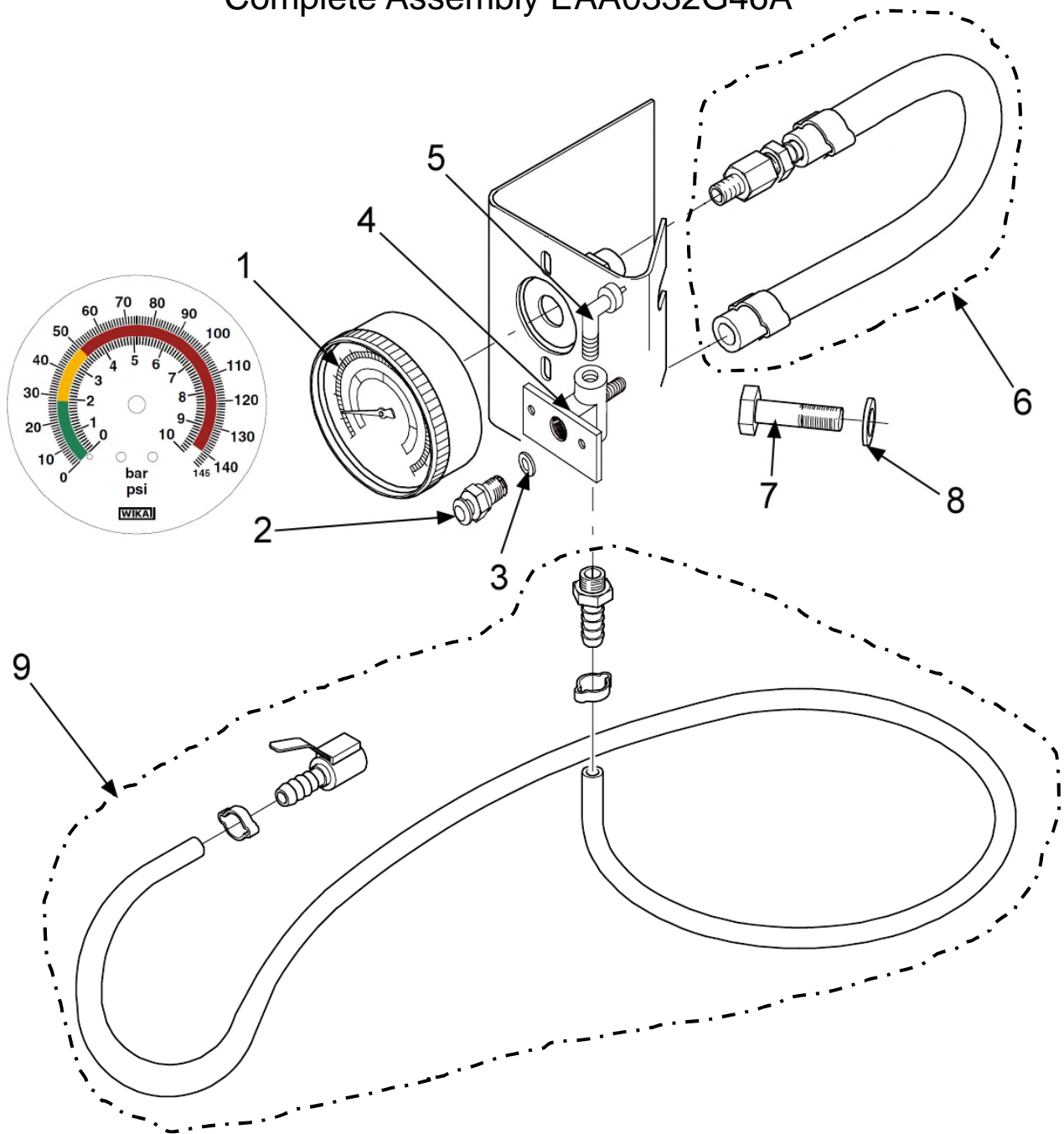


L1 12.2"

L2 9" in & 15" out

Ref	Qty	Part Number	Description	
2	1	ST0001924	Fitting - St 6 x 8 1/8	1-11379A
4	1	1-20179A	Fitting "L" 6 x 8	
5	1	EAK0306G16A	Screws And Bolts For Bead Breaker	
6	1	EAK0306G19A	Seals For Bead Breaker Cyl.	
9	1	EAA0328G72A	Pin - Lock	
11	2	ST7021329	Washer 14 mm	1-5246
13	1	EAC0078G04A	Handle - Rubber	
14	1	1-22609	Screw Tcei M14 x 110 8.8	
15	1	ST7020409	Nut - S Lock, Low - M14	1-10433
16	1	EAK0306G20A	Fulcrum Kit For Bead Breaker Arm	
	1	1-02138A	Ring Nut Metal S Lock M20	
	1	EAM0086G16A	Bead Breaker Arm Pin	
17	1	EAK0306G23A	Fixing Kit For Bead Breaker Arm	
	1	1-3977	Retaining Ring	
	1	1-20933A	Nut Lock M18 - 1.5	
18	1	EAM0067G69A	Spring - Recall Arm, Bead Breaker	
19	2	EAM0067G34A	Screw, Fitting - Cylinder B/Break	
23	1	EAM0075G25A	Washer, Felt	
24	1	EAM0075G26A	Washer, Black Plastic	
25*	1	EAM0067G74A	Hex Washer Thread M18 x 1.5	
*Note Used up to Dec 2023 (84BMSxxx)				

Complete Assembly EAA0332G46A



Ref	Qty	Part Number	Description
1	1	8-06820A	Gauge - Air BAR / PSI
2	1	EAA0328G57A	Bleeder Valve
3	1	EAM0043G64A	Washer, Bleeder Valve
4	1	EAC0078G59A	Body Bleeder Valve
5	1	1-11479A	Fitting - L 6 x 8 1/8
6	1	EAH0049G12A	Hose - Gauge Fitting
7	2	1-32501A	Screw 8 x 16
8	2	1-10041	Washer D 8



Notice: The information contained in this document is subject to change without notice. Hofmann makes no warranty with regard to this material. Hofmann shall not be liable for errors contained herein or for incidental consequential damages in connection with furnishings, performance, or use of this material.

309 Exchange Ave
Conway, AR 72032
501-450-1500

Monty 1625 SmartSpeed CSA Spare Parts List
EEWH784AUB3_TS

DSS

12/2024