

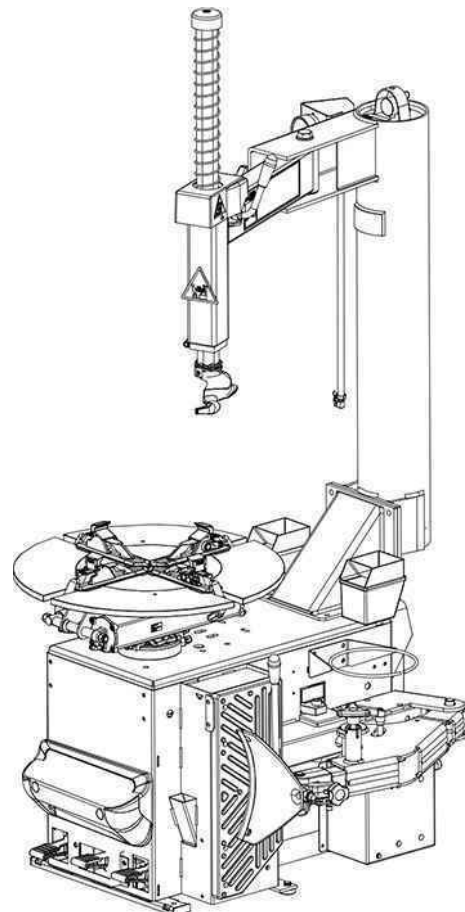
HOFMANN®



monty 1625

Operation manual
Mode d'emploi
Manual de Operador

Automatic Tire Changer
Démonte-pneus Automatique
Desmontador Automático de Neumáticos



FAMILY	NAME	DESCRIPTION
1625	1625 1625 <i>smartSpeed</i>	Basic type - 115 V - single Speed. smartSpeed type - 230 V - two speeds.

SAFETY INFORMATION

**For your safety, read this manual thoroughly
before operating the Tire Changer**

This tire changer is intended for use by properly trained automotive technicians. The safety messages presented in this section and throughout the manual are reminders to the operator to exercise extreme caution when servicing tires with these products.

There are many variations in procedures, techniques, tools, and parts for mounting and demounting of tires, as well as the skill of the individual doing the work. Because of the vast number of wheel and tire applications and potential uses of the product, the manufacturer cannot possibly anticipate or provide advice or safety messages to cover every situation. It is the automotive technician's responsibility to be knowledgeable of the wheels and tires being serviced. It is essential to use proper service methods in an appropriate and acceptable manner that does not endanger your safety, the safety of others in the work area or the equipment or vehicle being serviced.

It is assumed that, prior to using that tire changer, the operator has a thorough understanding of the wheels and tires being serviced. In addition, it is assumed he has a thorough knowledge of the operation and safety features of the rack, lift, or floor jack being utilized, and has the proper hand and power tools necessary to service the vehicle in a safe manner.

Before using the present tire changer, always refer to and follow the safety messages and service procedures provided by the manufacturers of the equipment being used and the vehicle being serviced.



IMPORTANT !! SAVE THESE INSTRUCTIONS - DO NOT DISCARD !!

IMPORTANT SAFETY INSTRUCTIONS

When using this equipment, basic safety precautions should always be followed, including the following:

1. Read all instructions.
2. Do not operate equipment with a damaged power cord or if the equipment has been damaged - until it has been examined by a qualified authorized service technician.
3. If an extension cord is used, a cord with a current rating equal to or more than that of the machine should be used. Cords rated for less current than the equipment may overheat. Care should be taken to arrange the cord so that it will not be tripped over or pulled.
4. Always unplug equipment from electrical outlet when not in use. Never use the cord to pull the plug from the outlet. Grasp plug and pull to disconnect.
5. To reduce the risk of fire, do not operate equipment in the vicinity of open containers of flammable liquids (gasoline).
6. Keep hair, loose fitting clothing, fingers and all parts of the body away from moving parts.
7. Adequate ventilation should be provided when working on operating internal combustion engines.
8. To reduce the risk of electric shock, do not use on wet surfaces or expose to rain.
9. Do not hammer any part of the machine, it isn't designed to be an anvil.
10. Do not allow unauthorized personnel to operate the equipment.
11. Do not disable or bypass the safety systems and follow all the safety procedures.
12. Use only as described in this manual. Use only manufacturer's recommended attachments.
13. Always securely lock the rim before actuating rotation.
14. **ALWAYS WEAR SAFETY GLASSES.** Everyday eyeglasses only have impact resistant lenses, they are NOT safety glasses.
15. The equipment is for indoor use only.

SAVE THESE INSTRUCTIONS

TABLE OF CONTENTS

UPDATING GUIDE	
Release A of 04/2021	First document release

INSTRUCTIONS: Safety Label Meanings	Page 6
1.0 Safety	Page 8
1.1 Format of this Manual	Page 10
1.2 Label of the constructor	Page 10
2.0 Specifications	Page 11
2.1 Conditions	Page 11
3.0 Introduction	Page 12
3.1 Accessories	Page 13
4 Layout	Page 14
4.1 Controls	Page 15
5.0 Mounting and demounting-General cautions	Page 18
5.1 Demounting tubeless tires	Page 19
5.1.1 Removing the tires	Page 20
5.1.1.1 Head Positioning	Page 20
5.2 Mounting tubeless tyres	Page 22
5.2.1 If the top tire bead is difficult to mount	Page 23
5.3 Beading the tires	Page 24
5.4 Demounting tube-type tires	Page 26
5.5 Mounting tube-type tires	Page 26
5.6 Inflating tube-type tires	Page 26
5.7 Mounting and Demounting Motorcycle tires	Page 27
6.0 Maintenance	Page 28
6.1 Storage	Page 29
7.0 Trouble shooting	Page 30
8.0 Disposing of the unit	Page 32
8.1 Disposal Informations	Page 32
9.0 Appendices	Page 32
Installation instructions	Page 33
i. Installation requirements	Page 34
ii. Carriage – Uncrating - Moving the machine	Page 35
iii. Installation procedures	Page 36
iv. Instructing the operator	Page 37

BLANKPAGE

INSTRUCTIONS: Safety Label Meanings

IMPORTANT!! SAVE THESE INSTRUCTIONS



Overinflated tires or tires mounted on the wrong sized rims can explode producing hazardous flying debris.

- Read and understand the operation instructions before using this tire changer.
- Never mount tire on rim with different sized diameter.
- Never exceed maximum inflation pressure listed on tire sidewall.
- Always use safety restraint arm to hold wheel in place while inflating.
- Always use attached air hose to inflate tires.

Exploding tires can cause death or serious injury.



Risk of electrical shock.

- Do not operate equipment with a damaged power cord or if the equipment has been dropped or damaged, until it has been examined by a qualified service person.
- If an extension cord is necessary, a cord with a current rating equal to or greater than that of the equipment should be used. Cords rated for less current than the equipment can overheat.
- Unplug equipment from electrical outlet when not in use. Never use the cord to pull the plug from the outlet. Grasp plug and pull to disconnect.
- Do not expose the equipment to rain. Do not use on wet surfaces.
- Plug unit into correct power supply.
- Do not remove or bypass grounding pin.

Contact with high voltages can cause death or serious injury.



Risk of electrical shock. High voltages are present within the unit.

- There are no user serviceable items within the unit.
- Service on the unit must be performed by qualified personnel.
- Do not open any part of the unit other than noted and allowed areas.
- Turn power switch off and unplug the unit before servicing.

Contact with high voltages can cause death or serious injury.



Risk of crushing.

- Become familiar with all controls before proceeding with operation.
- Stand away from the bead breaker arm when in operation.
- Apply air to breaker in bursts if necessary to control arm depth.
- Don't allow to approach extraneous people to the service.

Contact with moving parts could cause injury.



Risk of pinching or crushing hands and fingers.

- Keep hands and fingers clear of rim edge during demounting and mounting process.
- Keep hands and fingers clear of mount/demount head during operation.
- Keep hands and other body parts away from moving surfaces.
- Do not use tools other than those supplied with tire changer.
- Do not use unapproved accessories
- Do not bypass any safety features.
- Use proper tire lubricant to prevent tire binding.

Contact with moving parts could cause injury.



Risk of eye injury. Debris, dirt, and fluids may drop from wheels.

- Remove any debris from tire tread and wheel surfaces.
- Remove excess tire lubricant before inflating.
- Knock off any loose debris. Clean surfaces as needed to avoid any materials from falling.
- Wear approved safety glasses during mount and demount procedures.

Debris, dirt, and fluids projection can cause serious eye injury.



Risk of injury. Tools may break or slip if improperly used or maintained.

- Use the correct tool for the task.
- Frequently inspect, clean, and lubricate (if recommended) all tools.
- Follow recommended procedures when performing wheel services.

Tools that break or slip can cause injury.



Collision and dragging hazard:

- do not rotate the turntable without wheel on board
- do not approach the turntable plate while it is moving
- pay attention to the jaws when these stick out of the turntable plate
- do not place any protruding objects on the turntable plate
- do not place any protruding objects near the turntable plate

Contact with moving parts could cause injury.

⚠ DANGER

Tires and Rims that are not the same diameter are mismatched.

- **NEVER** attempt to mount or inflate any tire and rim that are mismatched.
- **ALWAYS** check to see that tire and rim diameters are the same.

A mismatched tire and rim will explode causing death or serious personal injury

⚠ WARNING

Over-pressurized tires can explode causing flying debris.

- **Read and understand Operator's Manual before operating.**
- **Keep bystanders away from work area.**
- **ALWAYS wear Safety Goggles.**
- **ALWAYS check to see that Tire and Rim diameters are the same.**
- **NEVER attempt to mount or inflate any Tire and Rim with different diameters.**
- **Inspect tires, NEVER inflate tires that are damaged, rotten or worn.**
- **NEVER inflate 'Split Rim Wheels' on this tire changer, remove them and use only an approved safety inflation cage designed for this purpose.**
- **Lock turntable Clamp on inside of rim before attempting to inflate tire.**
- **Use approved tire bead lubricant before removing or installing tire on rim.**
- **ALWAYS position the "Safety Restraint Arm" over the wheel to hold it to the turntable while inflating if so equipped.**
- **If a tire explodes on this tire changer, STOP using it until the "Safety Restraint Arm" has been replaced, which must be done even if no damage is seen.**
- **NEVER place head or body over a tire during inflation process.**
- **Use short bursts of air to seat tire beads, check tire air pressure frequently.**
- **NEVER exceed tire manufacturer's pressure limits.**
- **NEVER attempt to bypass or alter the built in air pressure limiter. Only inflate tire with air hose supplied with tire changer. NEVER use shop inflation hose to inflate a tire.**
- **Tire Changer must be anchored to concrete floor if equipped with a "Safety Restraint Arm"**

Exploding Tires can cause serious injury.

1.0 Safety

The safety precautions must be completely understood and observed by every operator.

THE OPERATOR MUST STAY NEAR THE MACHINE, IN GOOD POSITION OF WORK, AT THE COMMAND UNIT SIDE (A).

ONLY THE OPERATOR MAY ACCESS THE WORK AREA.

THE USE OF THIS DEVICE IS ALLOWED ONLY TO PERSONNEL DULY TRAINED BY AN AUTHORIZED DEALER.

ANY TAMPERING WITH OR MODIFICATION OF THIS DEVICE OR ITS PARTS OR COMPONENTS NOT PREVIOUSLY AUTHORIZED BY THE MANUFACTURER WAIVE THE MANUFACTURER FROM ANY DAMAGE RESULTING FROM OR RELATED TO THE ABOVE-MENTIONED TAMPERINGS.

REMOVING OR BYPASSING SAFETY DEVICES OR WARNING LABELS OF THE MACHINE IS A VIOLATION OF THE SAFETY REGULATIONS.

THE USE OF THIS DEVICE IS ALLOWED ONLY IN LOCATIONS WITH NO EXPLOSION OR FIRE HAZARD.

THE INSTALLATION SHALL BE CARRIED OUT ONLY BY QUALIFIED PERSONNEL AND WITHIN THE SCOPE OF THE INSTRUCTIONS PROVIDED IN THIS MANUAL.

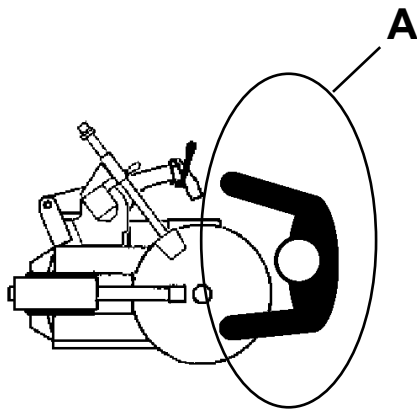
THIS DEVICE IS DESIGNED TO ACCEPT ORIGINAL SPARE PARTS AND ACCESSORIES ONLY.

CHECK FOR POSSIBLE DANGEROUS CONDITIONS DURING THE OPERATION OF THE MACHINE. IN SUCH A CASE STOP THE MACHINE IMMEDIATELY.

IN CASE OF DEFECTIVE FUNCTIONING, STOP THE MACHINE AND CALL THE AUTHORIZED DISTRIBUTOR FOR ASSISTANCE.

DURING USE AND MAINTENANCE OF THE MACHINE IT IS MANDATORY TO COMPLY WITH ALL LAWS AND REGULATIONS FOR ACCIDENT PREVENTION.

THE ELECTRICAL SYSTEM MUST HAVE AN EARTH CABLE AND THE MACHINE EARTH CABLE (YELLOW/GREEN) MUST BE CONNECTED TO THE EARTH CABLE OF THE MAINS SUPPLY





BEFORE PERFORMING ANY MAINTENANCE OR REPAIRS THE MACHINE MUST BE DISCONNECTED FROM THE AIR AND ELECTRICAL SUPPLY.

NEVER WEAR TIES, CHAINS OR OTHER LOOSE ARTICLES WHEN USING, MAINTAINING OR REPAIRING THE MACHINE. LONG HAIR IS ALSO DANGEROUS AND SHOULD BE KEPT UNDER A HAT.

THE USER MUST WEAR PROPER SAFETY ATTIRE I.E.: GLOVES, SAFETY SHOES AND GLASSES.

MAINTAIN ALL ELECTRIC CABLES IN GOOD REPAIR.

KEEP WORKING AREA TIDY. CLUTTERED AREAS INVITE ACCIDENTS.

AVOID DANGEROUS ENVIRONMENTS. DON'T USE PNEUMATIC OR ELECTRICAL EQUIPMENT IN DAMP OR WET LOCATIONS, OR EXPOSE THEM TO RAIN.

KEEP THE WORK AREA WELL LIGHTED.

ALL ELECTRICAL CONNECTIONS MUST BE PERFORMED BY A LICENSED TECHNICIAN.

ALL SERVICE MUST BE PERFORMED BY AN AUTHORIZED SERVICE TECHNICIAN.

SAFETY DEVICES

This machine has several protectors made of plastic to prevent compression or crushing hazards.

There is an inflation pressure limiting device to prevent explosion hazard due to the overinflation.

KEEP SAFETY DEVICES IN PLACE AND IN WORKING ORDER.

1.1 Format of this Manual

This manual contains text styles which make you pay extra attention:

Note: Suggestion or explanation.

CAUTION: STRESSES THAT THE FOLLOWING ACTION MAY CAUSE DAMAGE TO THE UNIT OR OBJECTS ATTACHED TO IT.

WARNING: STRESSES THAT THE FOLLOWING ACTION MAY CAUSE (SEVERE) INJURY TO THE OPERATOR OR OTHERS.

- Bulleted list:
- indicates that action must be taken by the operator before being able to go to the next step in the sequence.

A dotted line around the number of the figure indicates that this is a duplicate from a previous section.

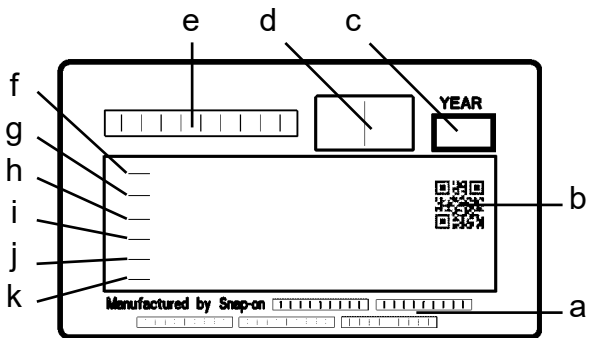
0.0-0

1.2 Label of the constructor

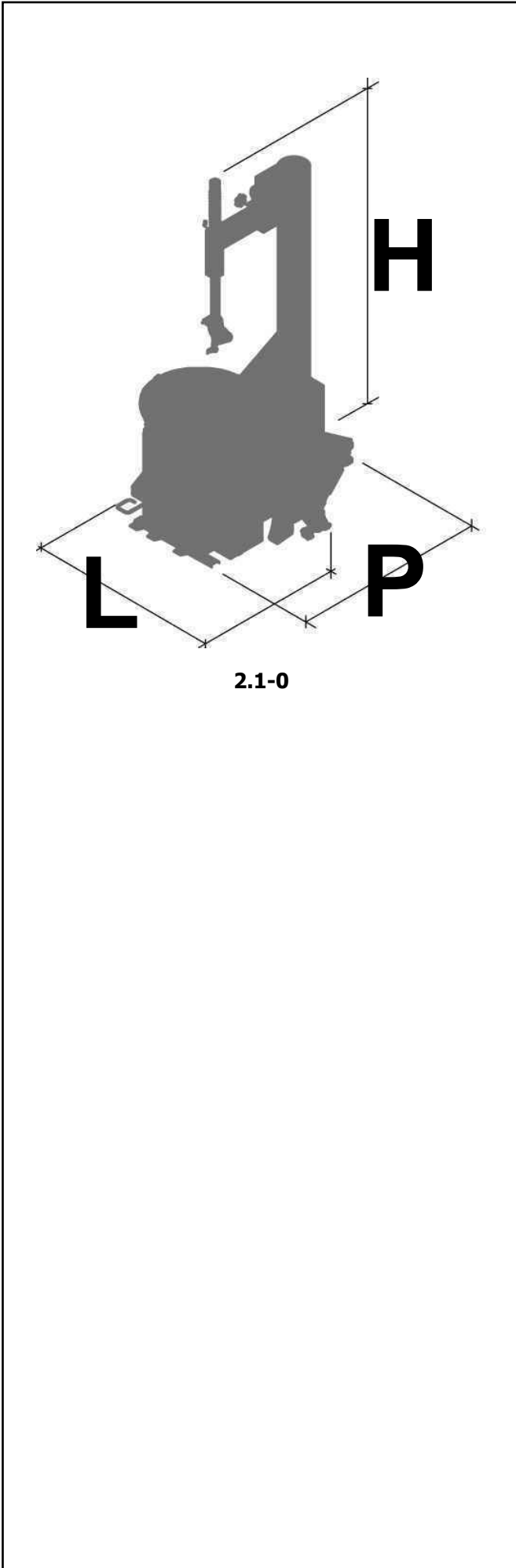
A marking label attached to the machine shows the following data:

Fig. 1.1-0

- a Name and address of the manufacturer
- b QR Code
- c Year of manufacture
- d Compliance marking
- e Brand
- f Model
- g Serial number
- h Weight
- i Electric specifications (volt, ph, Hz, kW and A)
- j Air pressure required (when provided)
- k Acoustic pressure



1.1-0



2.0 Specifications

Electric-air tire changer for car, light commercial vehicle and motorcycle tires designed for one-piece rims.

Weight	512 lbs (233 Kg)
Air pressure required	psi 110-170 (8-12 bar)
Bead breaker force	lbs 3400 (15,12 kN)

1 speed Electrical Specifications:

115 VAC, 60 Hz, 1 PH, 12A

Motor power	kW 0.75 (hp 1)
Max. torque	lbf-ft 738 (N·m 1000)
Turntable rotation:	7 rpm

2 speed Electrical specifications:

230 VAC, 50/60 Hz, 1 PH, 16A

Motor power	kW 0.75 (hp 1)
Max torque	lbf-ft 738 (N·m 1000)
Turntable rotation speed:	7-18 rpm

Max. wheel diameter	50" (mm 1270)
Max. wheel width	15" (mm 380)

Rim diam. outside locking	10"-24"
Rim diam. inside locking	12"-24"
Motorcycle wheels with adapters (*)	12"-26"
ATV wheels with adapters (*)	8"-23"
Car wheels Extensions (*)	17"-28"

Acoustic pressure:	70dBA
Acoustic pressure - bead seater	120dBA

Dimensions in millimeters **Fig. 2.1-0**

L = Min.-Max. width	39"3/4-53"1/8 (mm 1010-1350)
P = Min.-Max. depth	43"1/4-47"1/4 (mm 1100-1200)
H = Min.-Max. height	68"-82" (mm 1730-2080)

2.1 Conditions

During use or prolonged storage, conditions must never be outside:

Temperature range	0-50 °C
Humidity range	10-90 %, without condensation

(*) option

3.0 Introduction

Congratulations on purchasing the pneumatic-electric tire changer **monty 1625**.

This tire changer is designed for ease of operation, safe handling of rims, reliability and speed.

With a minimum of maintenance and care your tire changer will provide many years of trouble-free operation. Instructions on use, maintenance and operational requirements of the machine are covered in this manual.

STORE THIS MANUAL IN A SAFE PLACE FOR ANY FURTHER REFERENCE. READ THIS MANUAL THOROUGHLY BEFORE USING THE MACHINE.

Application.

The tire changer is intended to be used as a device for automatically demounting, mounting and beading car and motorcycle tires mounted on one-piece rims with the following specifications:

Maximum tire diam.: 50" (mm 1270)
Maximum tire width: 14" (355 mm)

This device must be used in the application for which it is specifically designed.

Any other use shall be considered as improper and thus not unreasonable.

The manufacturer shall not be considered liable for possible damage caused by improper, wrong or unreasonable use.

Manuals to the unit.

- Quick Start
EAZ0090G03A
- Operator's Manual
ZEEWH7XXA06 (Chapter 1 – 9)
The operator must be familiar with it.
- Spare Parts Manual
TEEWH7XXA3 - Service Manual
Manual for use by service personnel only.
- On web Accessory Plan:
<http://service.snapon-equipment.net/>

Installation instructions.

The installation instruction are in Chapter 9 Appendices.

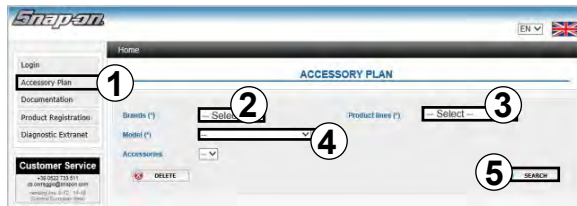
EC DECLARATION

(Original document contained in Spare Parts Booklet)

3.1 Accessories

A series of accessories are usually available for the machine. All accessories are indicated on the website: <http://service.snapon-equipment.net/>

After accessing the website, proceed as follows:



3.1-0

Fig. 3.1-0

- Select **Accessory Plan (1)**.
- Select the reference brand in the field **Brands (2)**.
- Select the Type of product "Tyre changers" in the field **Product lines (3)**.
- Open the field **Model (4)** and select the specific machine model among the ones in the list.
- Enter "**SEARCH**" (**5**) to display the list of available accessories.

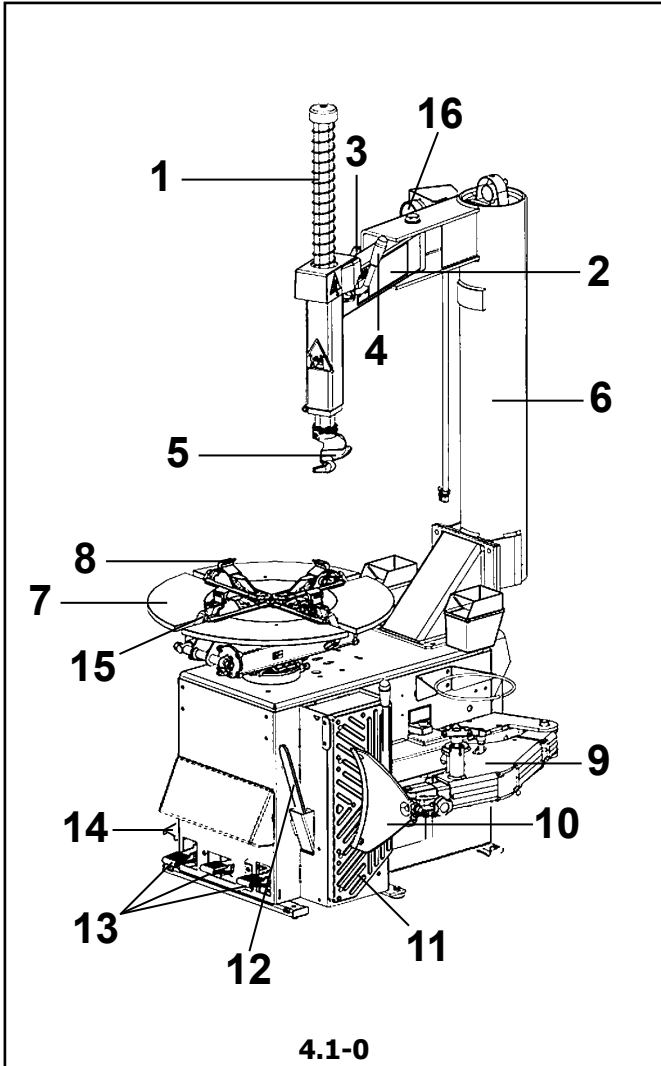
NOTE: Use the codes in the list for the purchase orders.

4.0 Layout

Refer to Figure 4.1-0.

Functional description of the unit:

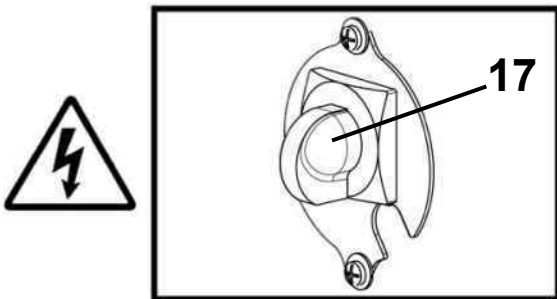
1. Vertical slide
2. Swing arm
3. Adjustment knob
4. Lock lever
5. Mount/demount tool or head
6. Tower or column
7. Turntable
8. Jaw or clamp
9. Bead breaker arm
10. Bead breaker blade
11. Bead breaker pad
12. Bead lifting Lever
13. Foot pedal controls
14. Bead seater/inflator pedal
15. Air Jets
16. Inflation gauge



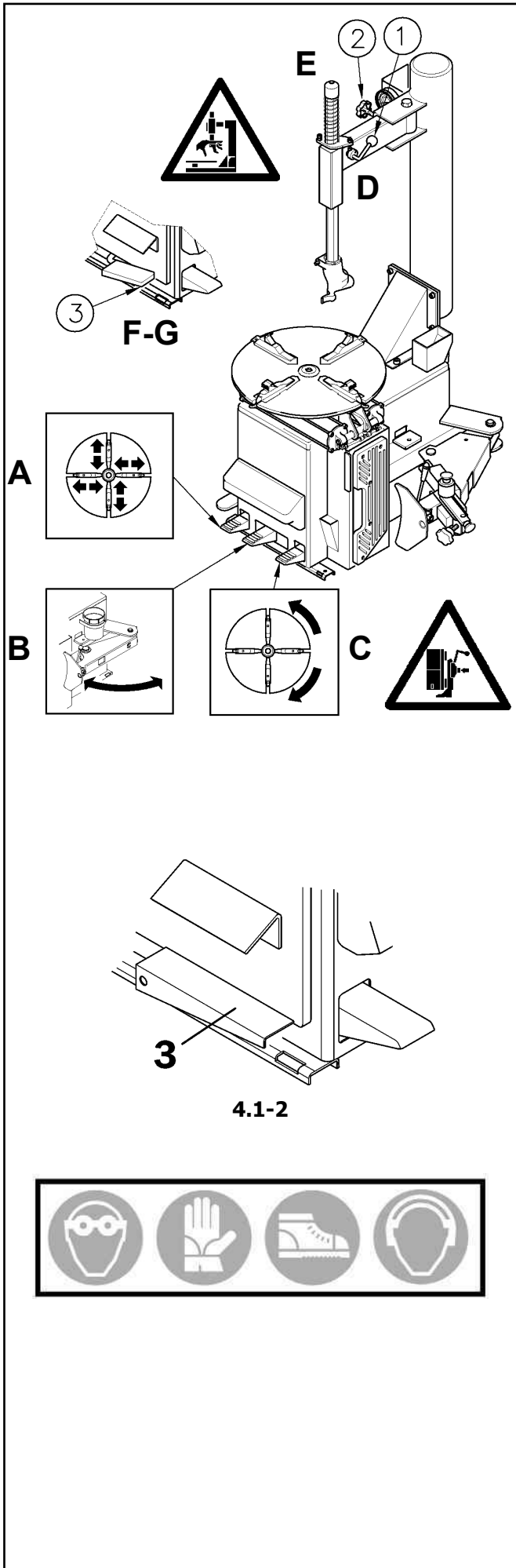
Refer to **Figure 4.1-1** (230V only)

17. ON-OFF functionality
When the unit does not have a power switch on and off, disconnect and reconnect the power plug.

CAUTION: WE RECOMMEND SWITCHING OFF THE UNIT AT THE END OF EACH WORKING DAY.



4.1-1



4.1 Controls

Before operating the machine, take the time to familiarize yourself with the operation and function of all the controls (Fig. 4.1-2).

A.

- Press down to the end of the stroke and release the first pedal from the left: the jaws of the turntable will retract.
Do it again: the jaws will expand.
If you press the pedal prior to the end of the stroke and release, the jaws may be stopped in any position.

B.

- Open the bead breaker arm.
Press down and hold the central pedal: by doing this you operate the bead breaker blade and the arm will move towards the machine.
Release the pedal: the bead breaker cylinder returns to its original position.

WARNING!
WATCH YOUR FINGERS AND LEGS!

C.

- Press down and hold the first pedal from the right: the turntable turns clockwise.
Lift the pedal and the turntable turns counter-clockwise.

D.

- Lower the lock handle (1, Fig. 4.1-2) to unlock the vertical slide, lift the handle to lock.

E.

- Turn adjustment knob (2, Fig. 4.1-2) for positioning mount/demount head to rim diameter.

F.

- Press bead-seater pedal on left side of the machine (3, Fig. 4.1-2) half way down: air will come out from inflation hose end.

If you operate on Tubeless

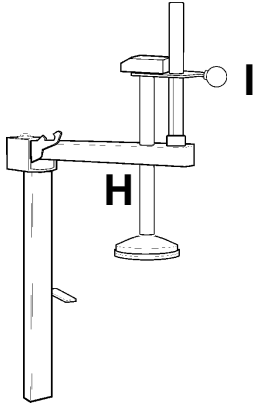
G.

- Press bead-seater pedal (3) all the way down swiftly to get air blast from the inflator jets on the jaws.
Air simultaneously comes out of inflator hose.

WHEN OPERATING THE BEAD SEATER AND INFLATOR IT IS MANDATORY TO WEAR EAR PROTECTORS AND SAFETY GLASSES TO PREVENT CONTAMINATION FROM NOISE, DUST AND CHIPS BLOWN BY THE AIR JETS.

DANGER OF TIRE EXPLOSION

SRA



4.1-3

When SRA is fitted.

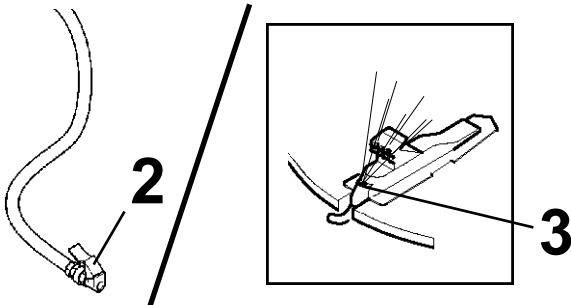
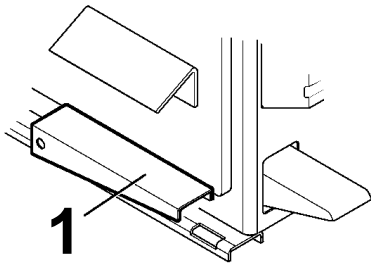
H.

- Safety Restraint Arm swings to center of the turntable (Fig. 4.1-3).

I.

- Lift upward on the restraint positioning knob to position over tire/wheel assembly for inflation, at the same time push down on the Anti-rotation Lock Arm to release lock. You may now swing the safety restraint arm to position on the center of the wheel. Lower the restraint until the rubber pad on the restraint disc is resting on the rim center. The SRA is a gravity lock which will automatically lock if any force other than the restraint position knob is lifted. You are now ready for the inflation process.

NOTE: the air supply will not function until the safety arm is centered over the turntable.



4.1-4

Only for Tubeless wheel models:

F1. Press bead seater/inflator pedal (1, Fig. 4.1-4) on left side of the machine half way down: air will come from inflation hose end only (2, Fig. 4.1-4).

F2. Press bead-seater pedal (1, Fig.4.1-4) down swiftly to get air blast from the turntable jets (3, Fig.4.1-4).

Note: Air simultaneously continues to exit the hose (2, Fig. 4.1-4) connected to the tire.

WARNING: ONCE BEADING IS COMPLETE, IMMEDIATELY STOP INTRODUCING AIR.

(Fig. 4.1-5)

WHEN OPERATING THE BEADING DEVICE IT IS MANDATORY TO WEAR EAR PROTECTORS AND SAFETY GLASSES TO PREVENT CONTAMINATION FROM NOISE, DUST AND CHIPS BLOWN BY THE AIR JETS.



4.1-5

DANGER OF TIRE EXPLOSION

Presetting of clamping jaws:

N.B.: Turntable capacity can be changed before pedal control.

The turntable jaws can be positioned in three different ways (Fig. 4.1-6).

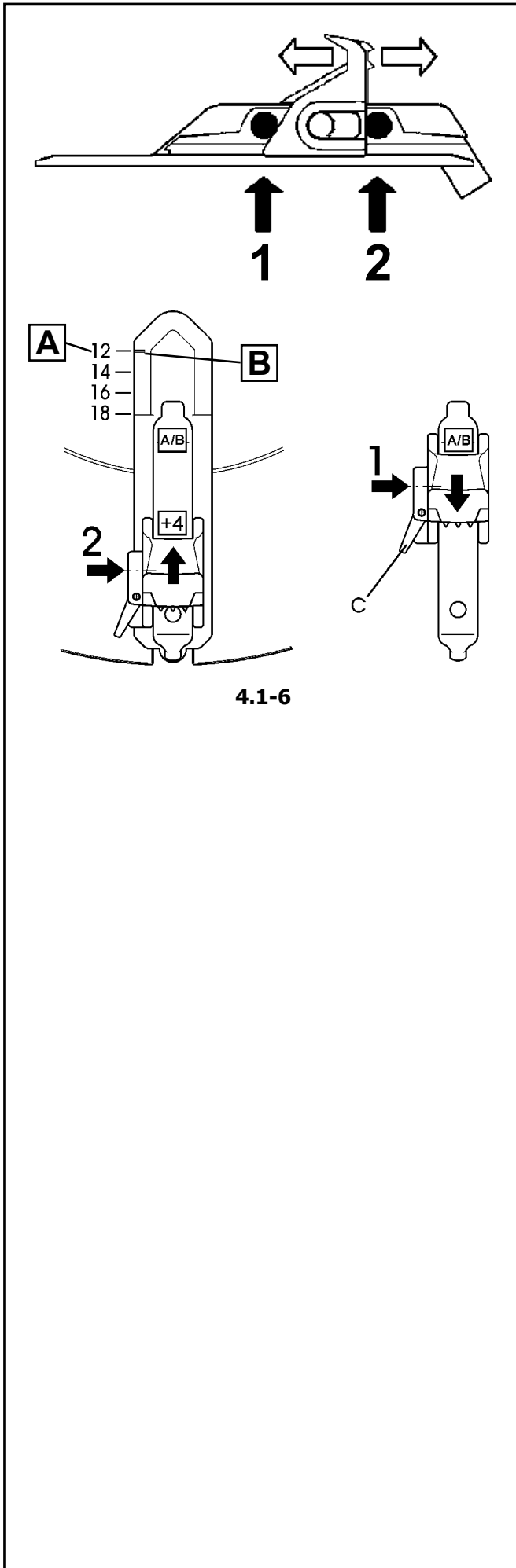
Push the lever (C) on the left side of each jaw and shift at the same each one (0/+2"/4").

VERY IMPORTANT: LOOK FOR PROPER INSERTION OF THE PIN

CAUTION! MAKE SURE ALL FOUR CLAMPING JAWS ARE MOUNTED IDENTICALLY (1 OR 2, FIG. 4.1-6). OTHERWISE THE RIM MAY COME LOOSE AND INJURE THE OPERATOR!

Rim diameters are shown in inches on the turntable (A, Fig. 4.1-6). The diameter setting (mark on jaw (B) must coincide with mark on turntable) depends on the clamping jaw position 1 or 2.

- In jaws position 1 the diameter is preset directly (1, Fig. 4.1-6).
- In jaws position 2 (2, Fig. 4.1-6) 4 inch must be added to the diameter.



4.1-6

5.0 Mounting and demounting. General precautions



CAUTION:

BEFORE MOUNTING A TIRE ON A RIM ENSURE THE FOLLOWING RULES ARE OBSERVED:

A- THE RIM MUST BE CLEAN AND IN GOOD CONDITION: IF NECESSARY CLEAN AFTER REMOVING ALL WHEEL-WEIGHTS INCLUDING 'TAPE WEIGHTS' INSIDE THE RIM.

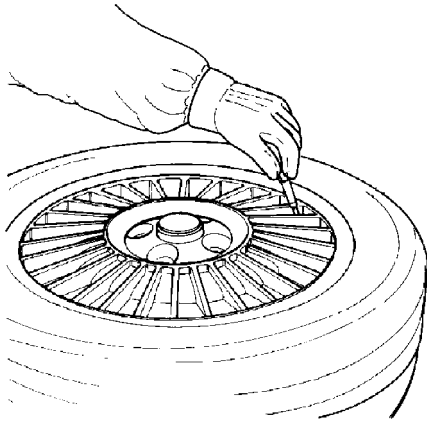
B- THE TIRE MUST BE CLEAN AND DRY, WITH NO DAMAGE TO THE BEAD AND THE CASING.

C- REPLACE THE RUBBER VALVE STEM WITH A NEW ONE OR REPLACE THE 'O' RING IF THE VALVE STEM IS MADE OF METAL.

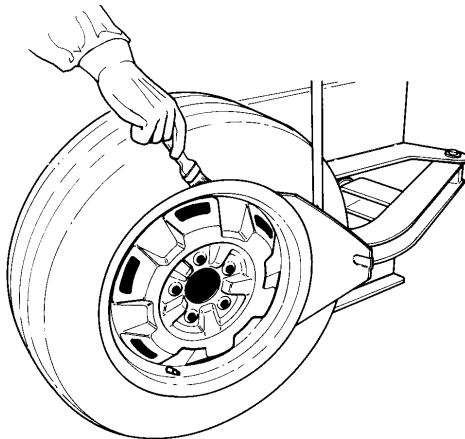
D- IF THE TIRE REQUIRES A TUBE, MAKE SURE THE TUBE IS DRY AND IN GOOD CONDITION.

E- LUBRICATION IS NECESSARY FOR CORRECT MOUNTING OF THE TIRE AND PROPER CENTERING. USE ONLY AN APPROVED LUBRICANT FOR TIRES.

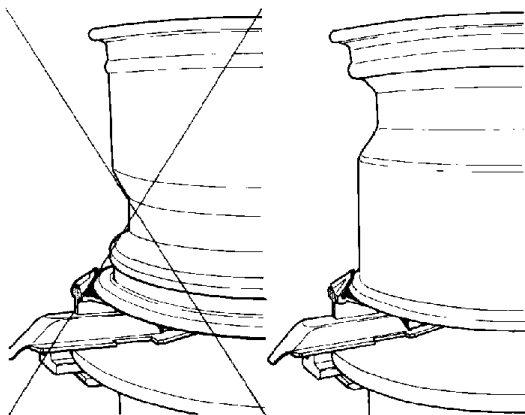
F- MAKE SURE THE TIRE IS THE CORRECT SIZE FOR THE RIM.



5.1-1



5.1-2



5.1-3

5.1 Demounting tubeless tires

- Remove all wheel-weights from the rim. Remove the valve stem or core and deflate the tire (Fig. 5.1-1).
- Break outer bead starting from opposite the valve position. Lubricate the bead and rim with a tire lube only. Break inner bead. Do not hold the foot pedal depressed longer than necessary since this could damage the bead. Liberally lubricate bead and rim (Fig. 5.1-2).

WARNING!

ON CARS WITH RUN FLAT TYRES WITH THE OPTIONAL LOW PRESSURE SENSOR INSTALLED, BREAK THE BEAD AT 90 DEGREES OFFSET FROM THE VALVE STEM. DAMAGE TO THE WHEEL WILL RESULT IF THE BEAD IS BROKEN AT ANY OTHER POINT ON THE RIM.

Locking Rims

- Set the rim clamps to the proper position: retract clamps to clamp the wheel from the inside and expand clamps to clamp from the outside. When clamping small wheels (14" or smaller) from the outside, set the clamps at diameter nearly equal to the rim diameter, before placing the wheel on the clamps. This will avoid the risk of pinching the tire.

WARNING!

TO MINIMIZE THE RISK OF SCRATCHING ALLOY RIMS, THESE SHOULD BE CLAMPED FROM THE OUTSIDE.

- Liberally lubricate bead and rim.
- Place the wheel **WITH DROP CENTER UPWARDS** (Fig. 5.1-3) on the turntable, and clamp in position.

5.1.1 Removing the tires

BEFORE PROCEEDING WITH THE TYRE EXTRACTION, CHECK THAT BOTH BEADS ARE COMPLETELY BROKEN.

5.1.1.1 Head Positioning

Procedure:

- Position the mount/demount head in contact with the rim edge and lock it into place: the tool automatically moves away from the rim edge vertically. Turn the adjustment knob until the mount/demount head clears from the rim flange about 1 mm (1/25"): this is necessary to avoid rim damage (Fig 5.1-4).

Note: once the mount/demount head is positioned properly, matching wheels may be changed without having to reset the head.

Note: the plastic insert inside the mount/demount tool must be periodically replaced. every machine is equipped with several plastic inserts (inside standard equipment box).if desired, the plastic insert may be replaced by a steel roller also included in the standard equipment box. follow the instructions included with the replacement parts.

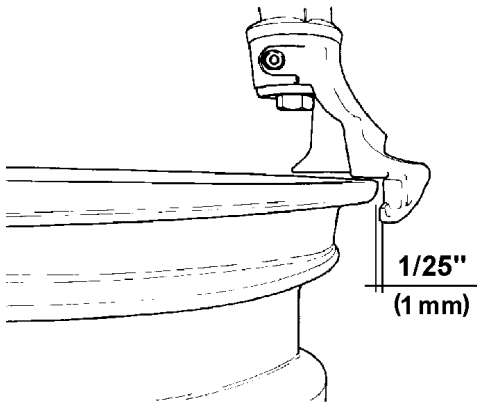
Angular tool adjustment

The tool is adjusted at the factory with an optimal angle for most wheels used today. However, the angle can be optimised for wheels with a diameter that differs considerably from the standard.

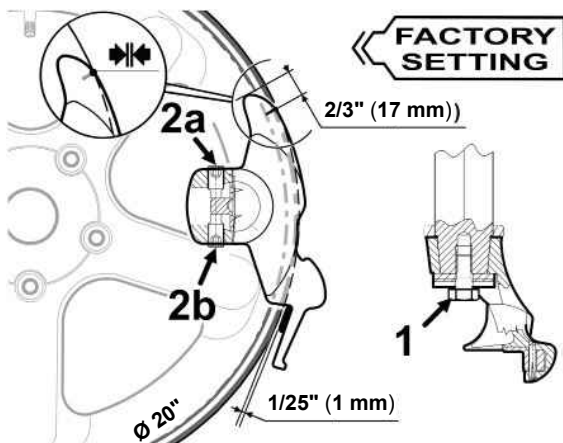
To adjust the tool angle, proceed as follows:

1. Mount the rim for which the adjustment is required.
2. Loosen the lower screw (1, Fig. 5.1-5).
3. Adjust the tool with the screws shown (2a and 2b, Fig. 5.1-5). Unscrew the screw (2a or 2b, Fig. 5.1-5) to rotate the tool, respectively clockwise or counterclockwise.
4. Screw in the opposite screw to block the tool in the desired angular position.
5. Tighten the lower screw (1, Fig. 5.1-5) with a torque of 35 Nm.

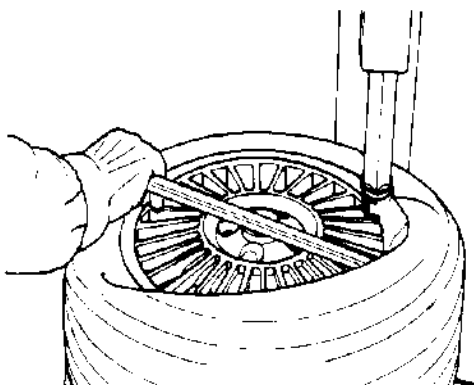
- Insert the bead lifting tool under the bead and over the support of the mount/demount tool. Lift the bead onto the mounting finger. To facilitate this operation, press with left hand on the bead in position diametrically opposite to that of the tool. If desired, the bead lifting tool can be removed after lifting the bead onto the finger (Fig. 5.1-6).



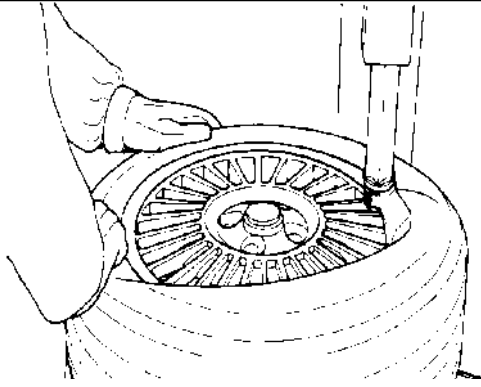
5.1.4



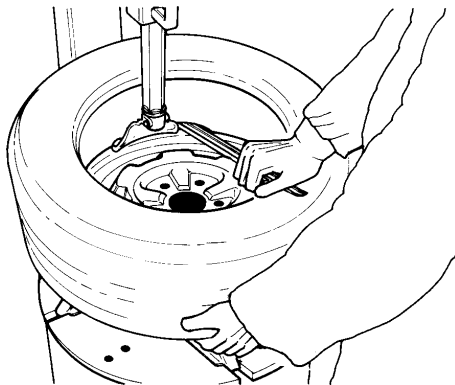
5.1.5



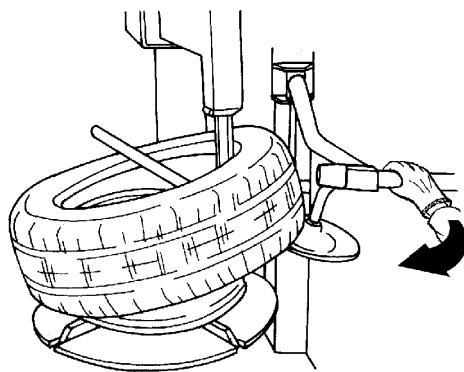
5.1.6



5.1-7



5.1-8



5.1-9

- Rotate the turntable clockwise and at the same time push down on the tire sidewall to move the bead into the drop-center of the rim (Fig.5.1-7).

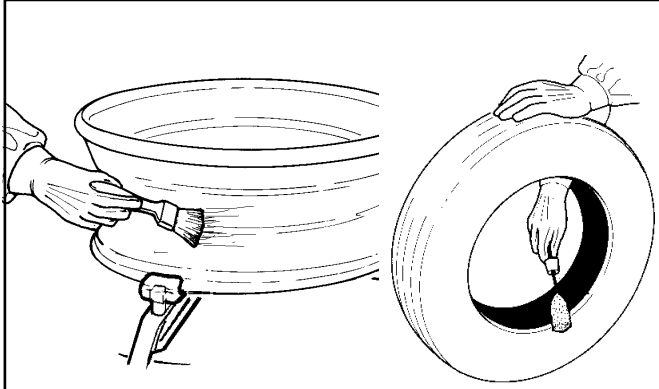
- Repeat the process for removing the lower bead. With left hand, lift the bead in position diametrically opposite the tool to keep it in the drop center (Fig. 5.1-8). Move the swing arm aside and remove the tire.

The bead depressor tool **"MH 310 PRO"** (Accessory) can help to facilitate demounting tires.

Position the lower disk next to the lower rim edge.

Grip the disk handle firmly, activate the device upstroke and at the same time rotate the turntable (Fig. 5.1-9).

5.2 Mounting tubeless tyres

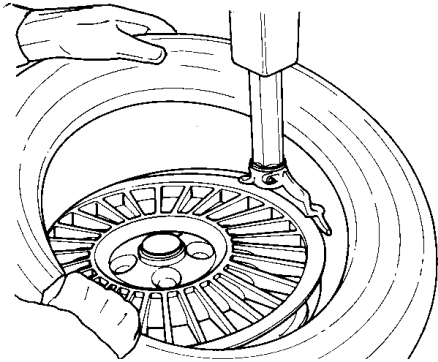


5.2-1

- Lubricate the entire rim surface. Lubricate both beads, inside and outside, (Fig. 5.2-1).

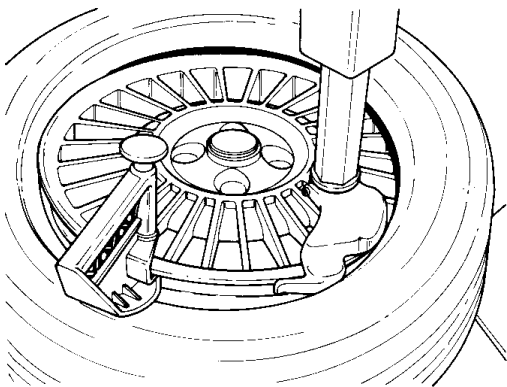
OBSERVE THE ROTATION DIRECTION OF THE TIRE, IF REQUIRED. SOME TIRES HAVE A COLOR DOT THAT MUST BE KEPT ON THE OUTSIDE OF THE WHEEL.

LIBERAL LUBRICATION OF THE TIRE AND RIM IS NECESSARY TO MOUNT TIRE CENTERING CORRECTLY AND GET A PROPER ON THE RIM. BE SURE YOU ARE USING APPROVED LUBRICANT ONLY.



5.2-2

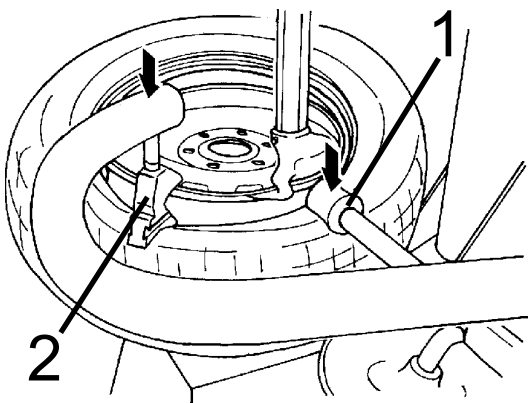
- Lock the rim on the turntable and rotate it to have the valve in 5 o'clock position. Place the tire to be mounted on the rim. Swing the mounting arm forward so that the mount/demount tool is in the working position. Engage the lower bead OVER the mounting wing and UNDER the mounting finger of the mounting tool. Turn the wheel clockwise and push the tire down into the drop center, opposite to the mount/demount head (Fig. 5.2-2).



5.2-3

- Mount the upper bead following the directions in section B (Fig. 5.2-3). With low profile tyres the bead depressor tool "MX" (optional #EAA0247G70A) can help to facilitate mounting of the top bead.

NOTE: FOR NARROW SIDEWALLS, RUN FLATS, OR ESPECIALLY STIFF TIRES IT IS RECOMMENDED TO USE THE **MH 310 PRO** ACCESSORY (Fig. 5.2-4).



5.2-4

A. Mount the first bead. After having positioned the mounting/demounting tool, position the roller (ref. 1) and the tool (ref. 2) as shown in Fig. 5.2-4.

B. Lower the bead pusher so that the roller and the bead pusher tool on the tire help keeping the bead into the drop center (Fig. 5.2-4).

Before distancing the mounting/demounting tool from the tyre changer machine, set the roller and the tool pusher in the rest position.

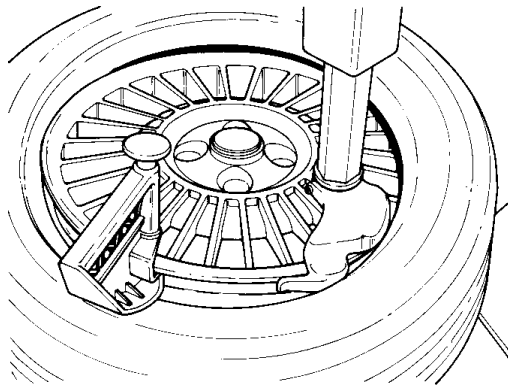
5.2.1 If the top tire bead is difficult to mount

Option 1)

Use the MH310PRO. Follow the separate instruction provided.

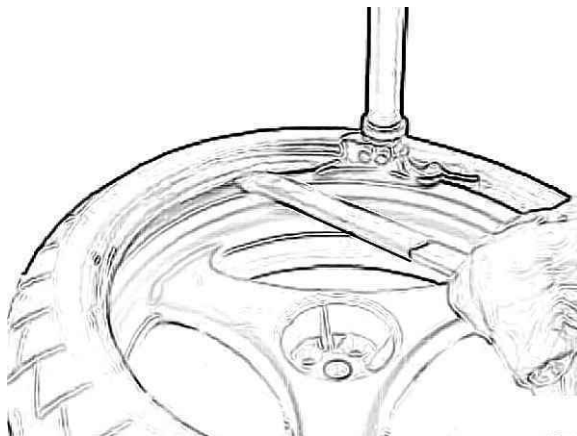
Option 2)

Follow these instructions using the optional **bead clamp MX** (Fig. 5.2.3), #EAA0247G70A.

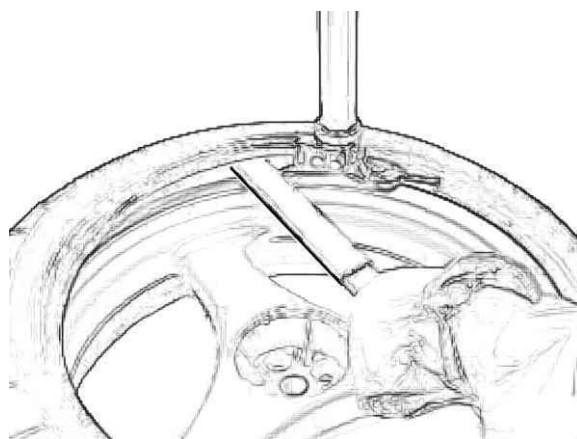


5.2.3

- A. After installing, the bottom bead insert the tire tool to the left of the bead head as shown (Fig. 5.2.1-1). To protect decorative rims use protective sleeve p/n 0024180 (optional).
- B. Step on the foot pedal to rotate the turntable clockwise until the tire lever is tight against the bead head (Fig. 5.2.1-1).
- C. Using your right hand push and hold the tire bead opposite the bead head into the rim drop centre.
- D. Position the bead clamp MX #EAA0247G70A (optional) to hold the tire bead into the rim drop centre (Fig. 5.2.3).
- E. As the turntable is turning use the tire tool in your left hand to raise and guide the tire bead onto the bead head (Fig. 5.2.1-2).
- F. Continue to rotate the turntable until the top bead is mounted.



5.2.1-1



5.2.1-2

Do not remove the tire tool or bead clamp until the foot pedal is released.

5.3 Beading the tires

Beading means the initial grip of the tire bead on the rim, in order to allow the inflation operations and subsequent settling in the seat on the rim.

Safety Precautions:

For safety reasons a quick-inflating valve preset to 4,5 bar is fitted upstream of the pressure gauge for the pedal-operated inflating device.

WARNING: DO NOT USE THE TIRE CHANGER TO INFLATE TIRES.

COMPRESSED AIR DEVICES ON THE TIRE CHANGER ARE ONLY DESIGNED TO FACILITATE THE TUBELESS TIRE BEADING OPERATION.

NEVER EXCEED THE MAXIMUM PRESSURE ALLOWED BY THE TIRE MANUFACTURER.

THE OPERATOR MUST STAND CLEAR FROM THE WHEEL WHEN BEADING THE TIRE, AND PRESSURE MUST BE MONITORED FREQUENTLY TO AVOID EXCESSIVE PRESSURE.

BEFORE BEADING, CHECK THE CONDITION OF TIRE AND RIM.

CHECK FOR CORRECT SEALING BETWEEN THE VALVE AND THE FITTING AT THE END OF THE AIR HOSE. AN AIR LEAK CAN GIVE INCORRECT PRESSURE READINGS AND CREATE SAFETY HAZARDS

CHECK THAT THE READING ON THE PRESSURE GAUGE IS "ZERO" WHEN IT IS NOT IN USE.

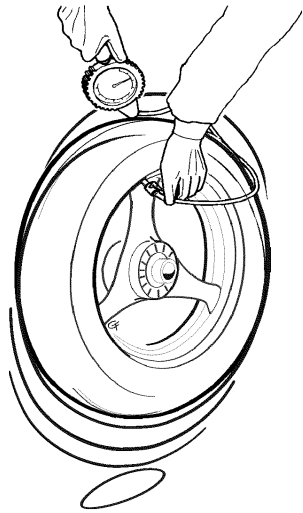
THE COMPLETE SEATING THE BEAD ON THE RIM IS A VERY DANGEROUS STAGE OF THE TIRE MOUNTING PROCEDURE.

TO COMPLETE THE BEADING OPERATION AND INFLATE THE TIRE CORRECTLY, PLACE IT IN AN APPROPRIATE TYPE APPROVED CAGE.

A TIRE BURST, WHATEVER ITS CAUSE, CAN RESULT IN SERIOUS INJURY OR DEATH.

AVOID MOUNTING TIRES THAT ARE 1/2" SMALLER IN DIAMETER THAN THE RIM, DOING SO FAILS TO ENSURE THAT THE BEADS ARE SEALED PROPERLY IN THEIR SEATS: THIS COULD BE A SOURCE OF DANGER WHEN DRIVING.





5.3-1

Beading Tubeless: tires

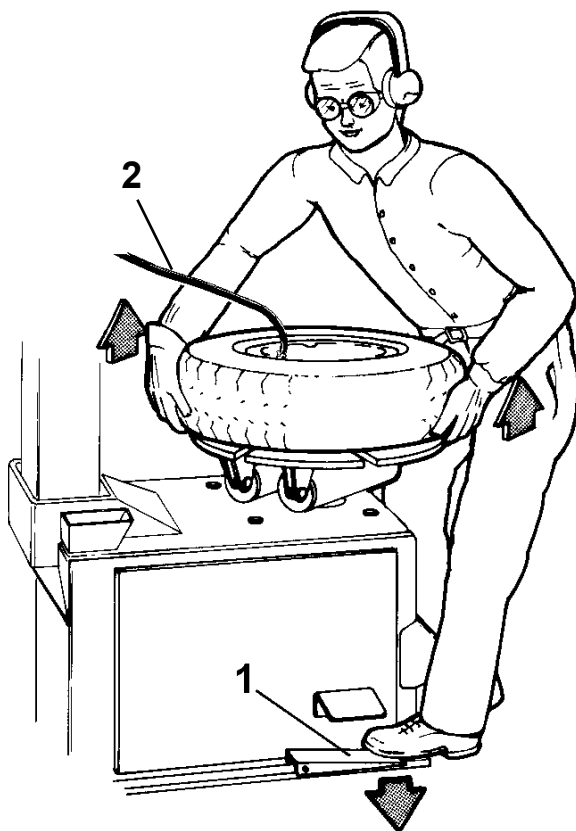
Perform the beading with the wheel blocked on the tire changer.

- Ensure that both the beads and the inside of the rim are thoroughly lubricated.
- Screw the valve insert.
- Connect the compressed air hose to the valve (**Figure 5.3-1**).
- Operate the compressed air to ensure the beads are seated.

STOP THE COMPRESSED AIR AS SOON AS THE BEADS GRIP THE RIM WELL.

- Place the wheel in a type approved cage to finish inflating and completely settle the beads in their seats on the rim.

Beading tubeless tires is sometimes difficult because the beads may be very close together (e.g. owing to incorrect stacking) and so fail to seal against the rim properly. In this event it may be helpful to place the wheel on the floor in a vertical position and 'bounce' it while introducing air with the pedal control or with the inflator gauge (**Figure 5.3-1**).



5.3-2

Beading with the GP device:

The machine can be provided with a GP device, necessary for bead seating of tubeless tires.

(**Figure 5.3-2**)

- If possible lock the wheel from inside. Outside locking reduces efficiency of the bead seater.
- Connect the compressed air hose to the valve (**2**, Fig. 5.3-2).
- Lift the tire with both hands so that upper bead is sealed to the rim edge (**Fig. 5.3-2**).
- Press the inflation pedal down (**1**, Fig. 5.3-2) swiftly. The top bead is already sealed by the lifting motion. The air from the bead seater jets will rebound into the bottom sidewall driving it into place and creating a seal.

STOP THE COMPRESSED AIR AS SOON AS THE BEADS GRIP THE RIM WELL.

- Place the wheel in a type approved cage to finish inflating and completely settle the beads in their seats on the rim.

(**Figure 5.3-3**)

WARNING: WHEN OPERATING THE BEADING DEVICE IT IS COMPULSORY TO WEAR EAR DEFENDERS TO PROTECT AGAINST NOISE AND SAFETY GOGGLES TO PREVENT ANY CONTAMINATION BY DUST AND OTHER IMPURITIES BLOWN BY THE AIR JETS.



5.3-3



5.4 Demounting tube-type tires

- To demount the tire operate as described for tubeless tires in section 5.1.A through section 5.1

In this case the valve cannot be replaced because it is part of the tube.

BE CAREFUL NOT TO DAMAGE THE TUBE DURING THE BEAD-BREAKING OPERATION. THE VALVE SHOULD BE OPPOSITE TO THE BLADE OF THE BEAD BREAKER.

- To demount the first bead, place the valve at 3 o'clock position.

DO NOT CATCH THE TUBE WITH THE BEAD LIFTING TOOL, WHEN LIFTING THE BEAD ON THE MOUNTING FINGER.

After demounting the first bead remove the tube before demounting the second bead, as described in section 5.1.

5.5 Mounting tube-type tires

- Proceed as described in section 5.2. Do NOT lubricate the tube. Talc can be used to assist with the tube positioning.
- Mount the valve core and place the tube onto the tire to confirm that the tube is of the correct size (Fig. 5.5-1).
- Inflate the tube slightly: if held with the index finger it should bend a little (Fig. 5.5-2).
- Mount the first bead as described in section 5.2. Put the tube inside the tire and secure the valve with the chuck of the inflating hose (Fig. 5.5-3). Mount the top bead following the directions above.

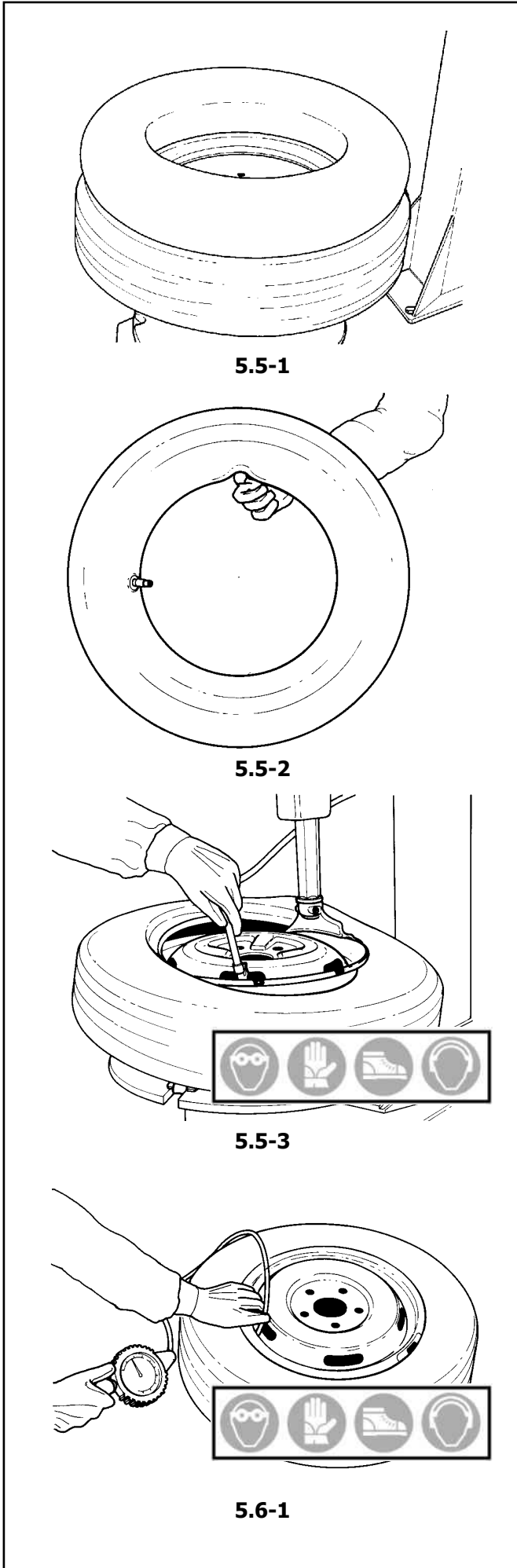
5.6 Inflating tube-type tires

To inflate the tire unlock the rim and start inflating while pressing the valve towards the inside. This is necessary to avoid air pockets forming between tube and tire (Fig. 5.6-1).

Ensure that the tire is correctly centered on the rim.

STOP THE COMPRESSED AIR AS SOON AS THE BEADS GRIP THE RIM WELL.

- Place the wheel in a type approved cage to finish inflating and completely settle the beads in their seats on the rim.



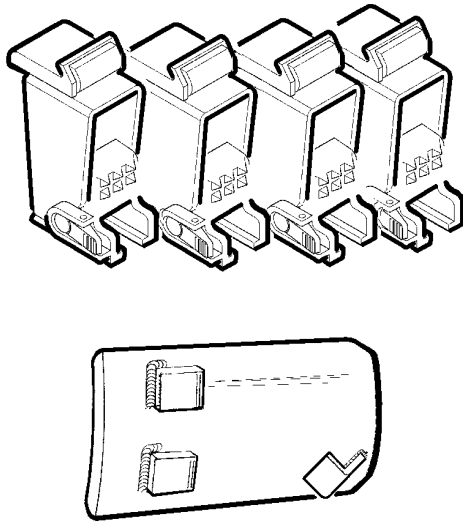
5.7 Mounting and Demounting Motorcycle tires

To mount and demount motorcycle tires it is necessary to utilize the optional motorcycle adaptors EAA0329G53A (4 piece) and EAA0247G14A Motorcycle bead breaker blade.

The bead-breaking, mounting and demounting technique is the same as per car tires.

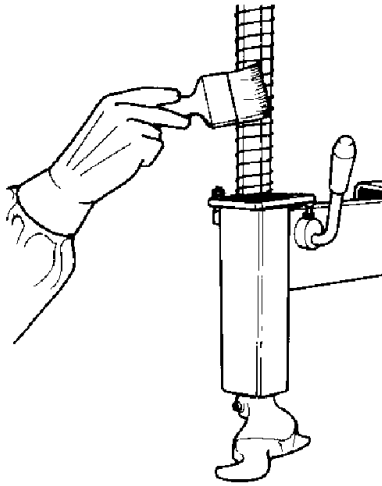
MOTORCYCLE RIMS MUST ALWAYS BE CLAMPED FROM THE OUTSIDE.

AIR PRESSURE TO THE TIRE CHANGER MUST NOT EXCEED 140 PSI (10 BAR) WHEN CLAMPING MOTORCYCLE RIMS.



6.0 Maintenance

BEFORE ATTEMPTING ANY MAINTENANCE OR REPAIRS THE MACHINE MUST BE DISCONNECTED FROM THE AIR AND ELECTRIC SUPPLY.



6.0-1

A. Periodically clean the vertical hexagonal rod with nonflammable liquid detergent. Lubricate with oil (Fig. 6.0-1).

B. Periodically clean the turntable with a nonflammable liquid detergent, dry and lubricate the sliding surface of the clamps with oil.

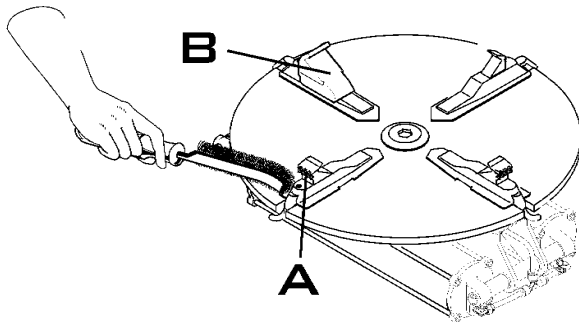
C. Clean the teeth of the clamps (A) with a wire brush, check the plastic rim protectors (B) and replace if worn (Fig. 6.0-2).

D. Periodically wash all plastic parts with cold water and soap or mild chemical detergent.

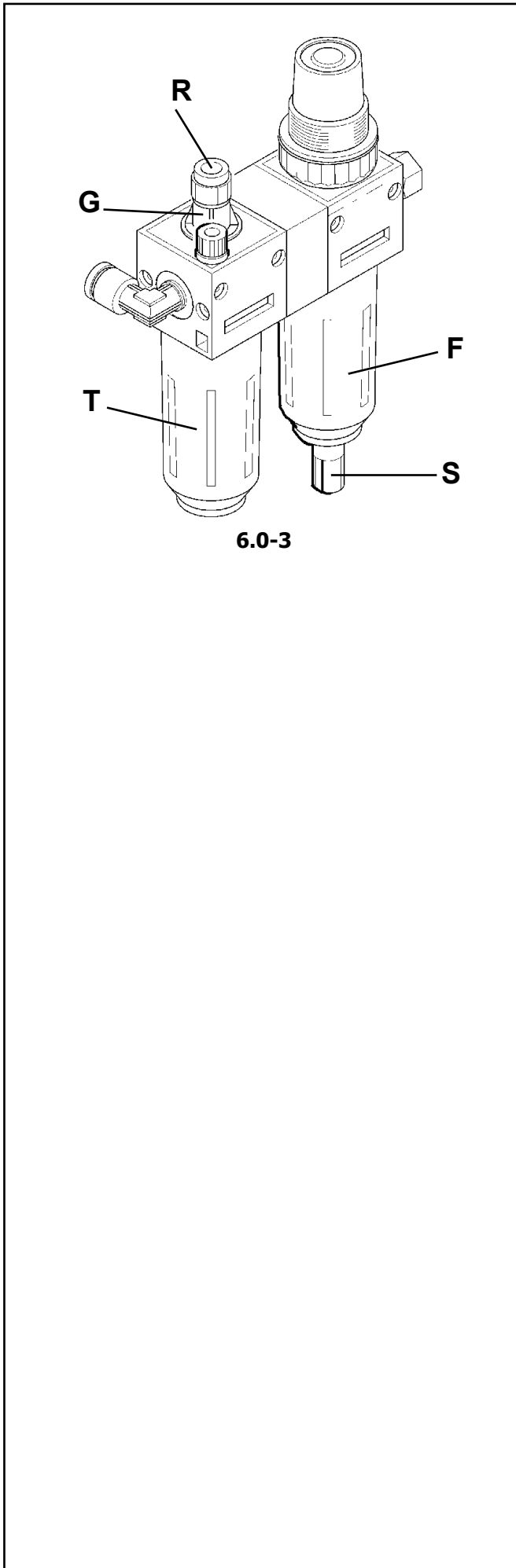
E. Periodically lubricate rods of air cylinders with oil.

F. Periodically replaced the plastic insert inside mount/ demount tool.

G. Check the bead breaker pad. Replace if worn.



6.0-2



6.0-3

H. Check and discharge the water every day from air filter/ water separator 'F'. Do this by pulling down the fitting "S" (Fig. 6.0-3).

I. The machine is equipped with an automatic lubricator. Check the oil level weekly. When adding oil to the lubricator, disconnect the air supply first, and add oil as needed. Make sure seals are in place when repositioning the cup.

WARNING!
 PAY ATTENTION TO KEEP FILLED THE OIL TANK OF THE OILER, EXPECIALLY FOR AIR MOTOR OPERATED MACHINES.

USE ONLY OILS FOR AIR DEVICES, DO NOT USE BRAKE FLUID OR OTHER NON RECOMMEND LUBRICANTS.

Suggested oils for the filter/lubricator unit:
 WHITE MINERAL OIL: 15 cSt

TAMOIL:	WHITE MINERAL OIL 15
SHELL:	ONDINA OIL 15
BP:	ENERGOL WT3
TOTAL:	LOBELIA SB 15
ESSO:	MARCOL 82

J. Periodically check the lubricator efficiency. One oil drop (G, Fig. 6.0-3) every 4-5 operations of the bead breaker indicates that the correct amount of oil is being dispersed in the system.
 If necessary adjust the oil flow with screw (R, Fig. 6.0-3).

K. If the machine is also equipped with a beading unit for tubeless tires, drain condensation from the tank daily.

6.1 Storage

In case the machine is not to be used for a long period of time (6 months or more) it is necessary to disconnect all power sources, discharge the bead seater tank (only GP version), protect all parts that may be damaged, protect the air hoses that may be damaged by the drying process. When putting the machine back in operation, check first the condition of all previously protected parts, and check for correct functioning of all devices before using the machine again.

7.0 Trouble shooting

If a problem with the pneumatic electric tire changer, proceed in the following order to solve the problem:

1. Rethink the last steps taken.
Did you work according to the manual?
Did the machine work as described and expected?
2. Check the unit according to the list in this chapter.
3. Call your local sales agent for technical assistance.

The format of this section is:

Problem

1. Possible cause #1
 - Possible solution(s)
2. Possible cause #2
 - Possible solution(s)

When depressing the turntable rotation pedal the machine will not work.

1. No electric power.
 - Check that the electric plug is correctly fitted to the socket and that the electric power is on.
2. Switch or motor short circuited.
 - Check that the electrical requirements of the machine are the same as the supply.
 - Call the authorized service center for assistance.

The switch pedal does not return to neutral position.

1. Switch spring is broken.
 - Lift the pedal to neutral position.
 - Disconnect the machine from electric and air supply.
 - Call the authorized service center for assistance.

Turtable or bead breaker pedal hard to operate.

2. Valve spools dry.
 - Check lubricator efficiency and oil level.

Bead breaker cylinder lacks power.

1. Low air pressure.
 - Clean valve.
 - Check air pressure.
2. Cylinder seals worn.
 - Call the authorized service center for assistance.



Turntable does not hold the rim.

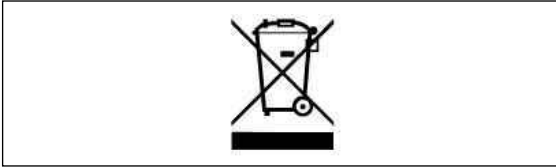
1. Jaws are dirty.
 - Clean jaw teeth.
2. Turntable dirty.
 - Clean and lubricate turntable.
3. Low air pressure.
 - Check air pressure
4. Jaw teeth worn out.
 - Check jaws condition.
 - Call the authorized service center for assistance

Machine damages rims.

1. Plastic insert in mount/de-mount tool worn out.
 - Replace the plastic insert in the mount/demount tool.
2. Plastic protector in jaws worn out.
 - Replace plastic protector in jaws.

8.0 Disposing of the unit

To dispose of the equipment at the end of its life, contact the reseller for a quote or for the regulations on disposal which apply to the unit.



This symbol indicates that separate collection of waste electrical and electronic equipment is mandatory for scrapping.

8.1 Instructions for disposal

For electrical and electronic equipment European directive 2002/95/EC, 2002/96/CE and 2003/108/EC (RAEE)

At the time of disposal, at the end of the lifetime of this equipment, you must:

1. Render the machine inoperative, remove the plug and cut off the power supply cable close to where it comes out of the machine.
2. DO NOT dispose of the equipment as urban waste and recycle it, by taking the materials to suitable recycling centres.
3. Contact the reseller for the closest authorised recycling centres for the disposal or for the collection of old equipment when purchasing new equipment.
4. Stick to the standards for correct waste management, to prevent potential effects on the environment and human health. Unauthorised disposal will result in administrative sanctions for the offenders.

9.0 Appendices

This chapter contains additional information about the unit. If reference is made to the exact configuration of the unit, please note that the exact configuration may be different in your country. Consult the order confirmation for details.

Installation Instructions

i. Installation requirements

THE INSTALLATION SHALL BE CARRIED OUT ONLY BY QUALIFIED PERSONNEL AND WITHIN THE SCOPE OF THE INSTRUCTIONS PROVIDED IN THIS MANUAL.

Install the machine in a covered and dry area. The installation of the machine requires a free space of at least 106"x106" (270x270cm) (Fig.i-1).

Make sure that from the operating position the user can see all of the machine and the surrounding area.

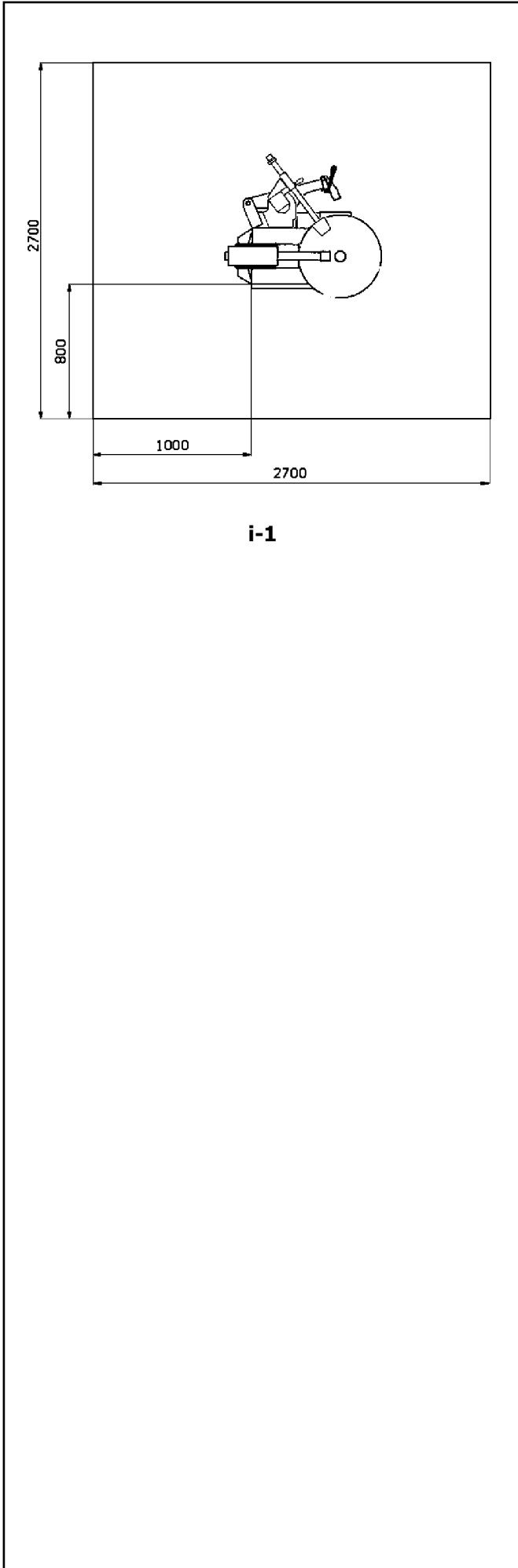
The operator shall forbid, in such an area, the presence of non authorized persons and of objects which may create possible hazards.

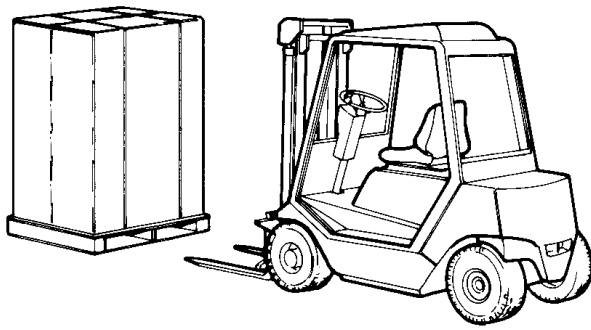
The machine shall be installed on a horizontal floor preferably even. Do not install the machine on a sinking or irregular floor.

If the machine is installed on a raised floor, the floor must have a capacity of at least 110lbs/sqft (5000 N/m² o 500 kg/m²). The machine must be secured to the floor through the holes provided in the cabinet.

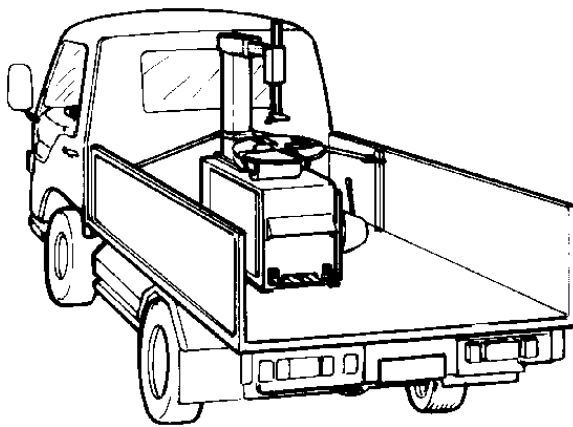
Expansion screws 12x120mm shall be used. Drill 12mm holes in the floor flush with the holes provided in the cabinet.

Place the nogs into the holes drilled in the floor and move the machine so that the holes of the cabinet are flush with the holes in the floor. Tighten the screws at 51 ft·lb (70 Nm).

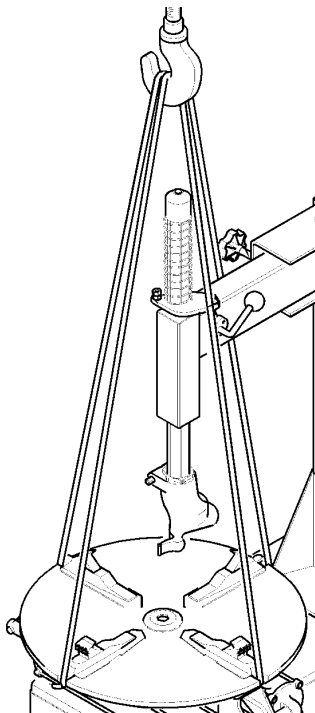




ii-1



ii-2



ii-3

ii. Carriage instructions – Uncrating instructions - Moving the machine

Carriage instructions

The machine is crated in a corrugated box of appropriate strength. The box is mounted on a pallet.

Handling of the machine must be made with an appropriate lifting device (fork lift) (Fig.ii-1).

The machine can be alternatively mounted on the pallet with the column assembled. In such a case the machine must be anchored to the transportation vehicle with a belt of appropriate strength rolled around the column (Fig.ii-2).

Uncrating instructions

Uncrate the machine paying attention when cutting the plastic straps or during any other operation which may be hazardous.

After removing the carton check for any visible damage to the machine and its components.

In case of doubt call qualified personnel for assistance.

The packing materials (plastic bags, polystyrene, nails, screws, wood etc.) must be properly disposed of. Place the above mentioned materials into a trash container and dispose per local regulations.

ALWAYS WEAR GLOVES WHEN UNCRATING THE MACHINE TO PREVENT SCRATCHES OR ABRASIONS DUE TO CONTACT WITH PACKING MATERIALS.

Moving the machine

In case the machine is to be moved from one working place to another, proceed as follows:

Disconnect the machine from the air and electric supply.

Remove from top of the cabinet and turntable all objects that may fall during displacement and create hazard.

Hold the machine as depicted in (Fig. ii-3). Use belts of a length of mm 3000 (10ft) and a capacity of kg 500 (1100 lbs). Do not use metal ropes to lift the machine.

iii Installation procedures

Electric installation

THE INSTALLATION SHALL BE CARRIED OUT ONLY BY QUALIFIED PERSONNEL AND WITHIN THE SCOPE OF THE INSTRUCTIONS PROVIDED IN THIS MANUAL.

Check on the plate of the machine that the electrical specifications of the power source are the same as the machine.

The machine, depending on the ordered version, may require:

115VAC +/-10% 1ph 60Hz 12A

1 phase motor

or

230VAC +/-10% 1ph 50/60Hz 16A

1 phase motor.

Electrical specifications are clearly marked on a label at the end of the electric cable.

The user must ensure that the electrical system that the 115V machine is connected to is fitted with **30 A** delayed fuses.

20 A (25 A for Japan); in case of 230V machine with INVERTER, or alternatively, an equivalent automatic magneto-thermic switch.

Before connecting the machine to the power source check that the power supply has an efficient earthing system. Connect the electric cable of the machine with an approved plug.

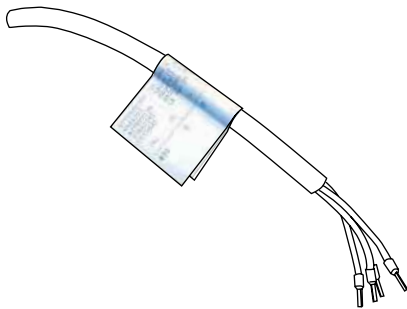
Note: The outlet installation must be verified by a licensed electrician before connecting the tire changer.

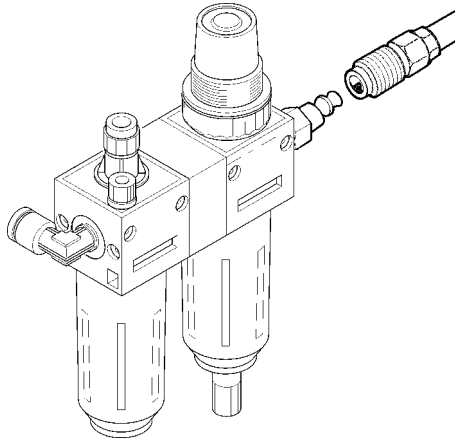
Note: The yellow/green wire in the cable is the earth wire. Never connect the earth wire to a live terminal.

Check that the power supply has an automatic circuit breaker with a differential circuit rated at 30 mA.

WARNING: IF INVERTERS ARE PRESENT, ONLY USE TYPE B RESIDUAL CURRENT OPERATED CIRCUIT BREAKERS.

The electric motor operates in a wide voltage range (plus or minus 10%) and frequency range (60 Hz) and has a class of insulation suitable for hot and moist climates.





iii-1

Pneumatic installation

THE AIR INSTALLATION MUST BE PERFORMED ONLY BY LICENSED PERSONNEL.

The machine requires an air pressure of 8 to 12 bar (110-170 psi), as marked on the plate of the machine and on a sticker attached to the cabinet next to the air inlet.

Ensure that the line pressure is within the limits required by the machine.

If the air pressure is lower than the minimum required of 8 bar (110psi) the clamping power of the turntable and the bead breaker power may be insufficient for certain tires. If the air pressure exceeds 12 bar (170 psi) it is mandatory to install a pressure regulator before the air inlet of the machine.

It is suggested that the air supply be equipped with a water separator to reduce the amount of water at the air inlet.

Connect the machine to the air supply with a rubber hose (rated for the pressure) with an inside diameter of 6 mm (1/4"). A 1/4" NPT fitting is provided at the air inlet.

BEFORE CONNECTING THE MACHINE TO THE AIR SUPPLY BE SURE THAT NOTHING IS LEFT ON THE TURNTABLE AREA (TOOLS,ETC).

After ensuring all the above proceed as follows:

- Connect the machine to the air supply (max. pressure of 12 bar - 170 psi) with a rubber hose (rated for the pressure) with an inside diameter of 6 mm (1/4") (Fig. iii-1).
- To install any accessory on request follow the instructions enclosed with it.
- In case of installation of an air-filter and lubricator, check correct functioning.

Pneumatic hose connection check

When first setting the machine into operation, check hose connections and unions for leakage.

iv Instructing the operator

(Following applies only if a unit is installed by a service Technician)

- Show the operator how to switch the unit on and off.

BLANKPAGE

EN

309 Exchange Ave.
Conway, AR 72032
Ph: 501-450-1500
Fax: 501-450-2085

Notice: The information contained in this document is subject to change without notice. **Snap-on Equipment** makes no warranty with regard to present documentation. **Snap-on Equipment** shall not be liable for errors contained herein or for incidental consequential damages in connection with furnishings, performance, or use of this material.

This document contains proprietary information which is protected by copyright and patents. All rights are reserved. No part of this document may be photocopied, reproduced, or translated without prior written consent of Snapon Equipment.

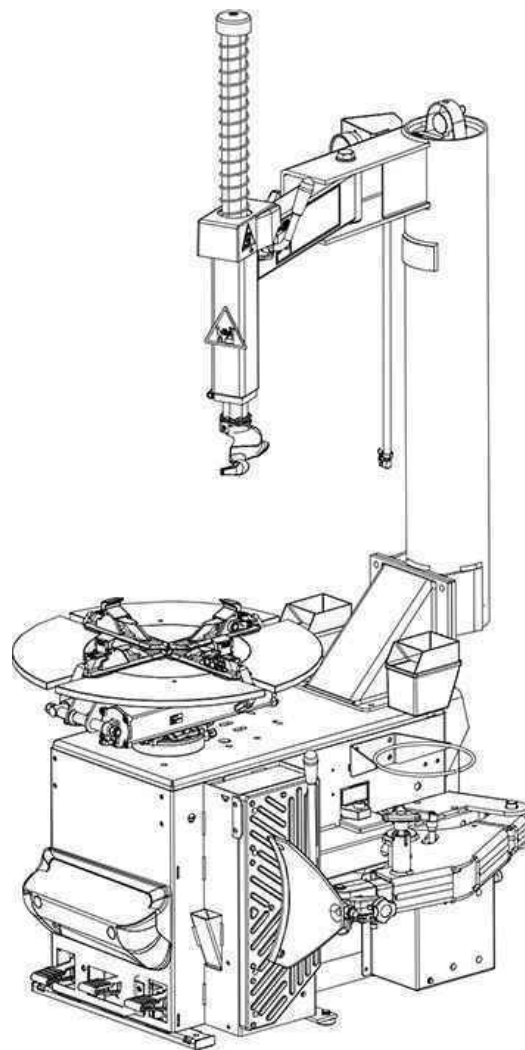
HOFMANN®



monty 1625

Mode d'emploi

Démonte-pneus Automatique



FAMILLE	NOM	DESCRIPTION
1625	1625	Type de base - 115 V - vitesse unique.
	1625 smartSpeed	Type smartSpeed - 230 V - deux vitesses.

INFORMATION DE SÉCURITÉ

Pour votre sécurité, lire attentivement ce manuel avant d'utiliser le chargeur de pneus.

L'utilisation de ce chargeur de pneus est réservée à des techniciens automobile dûment formés. Les messages de sécurité présentés dans cette section et au long de ce manuel constituent des rappels pour que l'opérateur fasse preuve d'une extrême prudence lors de l'entretien des pneus avec ces produits.

Il existe plusieurs variations dans les procédés, techniques, outils et éléments pour le montage et démontage des pneus. Il faut compter également l'habileté du personnel qui réalise la tâche. Étant donné le grand nombre d'applications des roues et des pneus ainsi que l'utilisation potentielle du produit, le fabricant ne peut pas anticiper ou porter conseil ou des messages de sécurité couvrant chaque situation. La responsabilité des connaissances des roues et des pneus à entretenir retombe sur le technicien automobile. Il est essentiel d'utiliser les méthodes d'entretien adéquates de façon appropriée et acceptable afin de ne pas mettre en danger votre sécurité, la sécurité des autres dans la zone de travail ou de l'équipement ou véhicule entretenu.

On estime qu'avant l'utilisation de cet échangeur de pneus, l'opérateur possède une connaissance approfondie des roues et des pneus à entretenir. En outre, il est estimé que le technicien possède une connaissance approfondie de l'opération et des caractéristiques de sécurité du rack, élévateur ou cric rouleau à utiliser ainsi que l'habileté et les outils électriques nécessaires pour réaliser l'entretien du véhicule en sécurité.

Avant d'utiliser cet échangeur de pneus, se reporter et suivre les messages de sécurité et les procédures de sécurité fournies par les fabricants de l'équipement à utiliser et du véhicule à entretenir.

 **IMPORTANT ! CONSERVER CES INSTRUCTIONS — NE PAS LES JETER !**

CONSIGNES DE SÉCURITÉ IMPORTANTES

Toujours suivre les précautions de sécurité de base pendant l'utilisation de cet équipement. Celles-ci comprennent les démarches suivantes :

1. Lire toutes les instructions.
2. Ne pas utiliser un appareil endommagé ou avec un cordon d'alimentation endommagé. Attendre l'inspection d'un technicien de service autorisé et qualifié avant d'utiliser l'appareil.
3. Si une rallonge est utilisée, celle-ci doit être d'une tension nominale égale ou supérieure à celle utilisée par la machine. Les cordons d'une tension nominale inférieure à celle de l'équipement peuvent surchauffer. Les cordons doivent être placés de façon à éviter de tirer ou de trébucher dessus.
4. Toujours débrancher l'équipement à partir de la prise lorsque celui-ci n'est pas utilisé. Ne jamais tirer sur le cordon pour débrancher la prise. Tenir la prise et tirer pour déconnecter.
5. Pour réduire le risque d'incendie, ne pas utiliser l'équipement en proximité de récipients ouverts ou de liquides inflammables (essence).
6. Tenir les cheveux, les vêtements amples, les doigts et toutes parties du corps loin des parties mobiles.
7. Une ventilation adéquate doit être présente lors du travail avec des moteurs à combustion interne.
8. Pour réduire le risque de choc électrique, ne pas utiliser sur les surfaces mouillées ou exposées à la pluie.
9. Ne pas marteler les éléments de la machine, celle-ci n'est pas conçue comme une enclume.
10. Ne pas permettre au personnel non autorisé de manipuler l'équipement.
11. Ne pas désactiver ou réaliser un by-pass des systèmes de sécurité et suivre toutes les procédures de sécurité.
12. Utiliser uniquement comme prévu sur ce manuel. N'utiliser que les accessoires recommandés par le fabricant.
13. Toujours verrouiller la jante en sécurité avant d'initier la rotation.
14. **TOUJOURS PORTER DES LUNETTES DE SÉCURITÉ.** Les lunettes ordinaires ne possèdent que des verres résistants aux chocs, elles **NE CONSTITUENT PAS** des lunettes de sécurité.
15. L'équipement est conçu uniquement pour un usage d'intérieur.

CONSERVER CES INSTRUCTIONS

TABLE DES MATIÈRES

GUIDE DE MISE À JOUR

Émission A de 042021

Première émission du document

	Lecture de la plaque de sécurité	Page 6
1.0	Sécurité	Page 8
1.1	Typographie	Page 10
1.2	Plaquette du constructeur	Page 10
2.0	Spécifications	Page 11
2.1	Conditions	Page 11
3.0	Introduction	Page 12
3.1	Accessoires	Page 13
4.0	Description	Page 14
4.1	Controls	Page 15
5.0	Montage et démontage - Précautions générales	Page 18
5.1	Démontage pneus sans chambre (tubeless)	Page 19
5.1.1	Démontage Pneus	Page 20
5.1.1.1	Positionnement Outil	Page 20
5.2	Montage pneus sans chambre (tubeless)	Page 22
5.2.1	Montage du talon supérieur en cas de difficultés	Page 23
5.3	Enjantage du talon des pneus	Page 24
5.4	Démontage pneus avec chambre	Page 26
5.5	Montage pneus avec chambre	Page 26
5.6	Gonflage pneus avec chambre	Page 26
5.7	Montage et démontage pneus moto	Page 27
6.0	Entretien	Page 28
6.1	Mise de côté	Page 29
7.0	Dépannage	Page 30
8.0	Vente	Page 32
8.1	Consignes de démolition	Page 32
9.0	Annexes	Page 32
	Instructions pour l'Installation	Page 33
i.	Conditions requises pour l'installation	Page 34
ii.	Transport - Déballage - Déplacement	Page 35
iii.	Procédures d'installation	Page 36
iv.	Formation de l'Opérateur	Page 37

PAGE BLANCHE

INSTRUCTIONS : Lecture de la plaque de sécurité

IMPORTANT!! CONSERVER LES PRESENTES INSTRUCTIONS



Les pneus surgonflés ou les pneus montés sur des jantes de taille non appropriée peuvent exploser et projeter des fragments.

- Lire et comprendre le manuel d'utilisation avec d'utiliser ce démonte-pneu.
- Ne jamais monter ou gonfler un pneu et une jante de diamètre différent.
- Ne jamais dépasser les limites de pression indiquées sur le côté du pneu.
- Toujours utiliser le bras de maintien de sécurité pour maintenir la roue en place pendant le gonflage.
- Toujours utiliser l'embout fourni pour gonfler les pneus.

L'explosion des pneu peut causer un accident mortel ou des dommages graves.



Risque électrique.

- Ne pas démarrer l'appareil si le câble d'alimentation est endommagé ou après une chute ou en présence de dommages, tant qu'il n'a pas été examiné par une personne qualifiée du SAV.
- Si une rallonge est nécessaire, utiliser un câble ayant une valeur de courant égale ou supérieure au courant utilisé pour l'appareil. Un câble d'une valeur inférieure pourrait se surchauffer.
- Quand il n'est pas utilisé, déconnecter toujours l'appareil du coffret électrique. Ne jamais saisir le câble pour enlever la fiche du coffret. Saisir la fiche électrique et tirer pour débrancher.
- Ne pas exposer l'appareil à la pluie. Ne pas utiliser sur des surfaces humides.
- Connecter l'unité à la bonne prise d'alimentation.
- Ne pas enlever ou désactiver le câble de terre.

Le contact avec d'autres tensions peut causer la mort ou des dommages graves.



Risque électrique. De hautes tensions sont présentes à l'intérieur de l'unité.

- A l'intérieur de l'unité n'existent pas parties relevant de la compétence de l'opérateur.
- Les interventions d'assistance sur l'unité doivent être effectuées par du personnel qualifié.
- Ne pas ouvrir de parties non connues ou non admise de l'appareil.
- Éteindre l'interrupteur et déconnecter l'unité avant toute intervention de service.

Le contact avec des hautes tensions peut causer la mort des dommages graves.



Risque d'écrasement.

- Se familiariser avec toutes les commandes avant toute utilisation.
- Rester à distance de sécurité du bras de l'outil de décollage pendant le fonctionnement.
- Appliquer l'air sur l'outil de décollage par à-coups si nécessaire pour contrôler la profondeur du bras.
- Empêcher les personnes étrangères au service de s'approcher du démonte-pneu.

Le contact avec des parties en mouvement peut causer un accident.



Risque de pincement ou d'écrasement des mains et des doigts.

- Garder les mains et les doigts à distance de sécurité du bord de la jante pendant les opérations de démonte et de monte.
- Garder les mains et les doigts à distance de sécurité de la tête de monte/démonte pendant le fonctionnement.
- Garder les mains et autres parties du corps à distance de sécurité des surfaces en mouvement.
- Ne pas utiliser d'outils autres que ceux fournis avec le démonte-pneu.
- Ne pas utiliser d'accessoires non autorisés
- Ne désactiver aucun dispositif de sécurité.
- Utiliser un lubrifiant approprié pour éviter le grippage du pneu.

Le contact avec des parties en mouvement peut causer des accidents.



Risque de dommage aux yeux. Des projections de fragments, de saleté et de liquides peuvent se produire pendant les opérations de mise en place du talon et de gonflage.

- Enlever tous les fragments de la bande de roulement et de la jante.
- Enlever l'excédent de lubrifiant pour pneus avant de gonfler.
- Tapoter pour éliminer les fragments. Nettoyer les surfaces suffisamment pour éviter la chute de matériaux.
- Porter des lunettes de sécurité approuvées pendant les interventions de service.

Les fragments, les déchets et les fluides peuvent causer des dommages graves aux yeux.



Risque de dommage. Les outils peuvent se briser ou glisser s'ils sont utilisés ou conservés de façon non appropriée.

- Utiliser l'outil adapté pour cette fonction.
- Inspecter, nettoyer et lubrifier (si cela est recommandé) fréquemment tous les outils.
- Suivre les procédures recommandées lors des interventions sur les roues.

Les outils qui se brisent ou glissent peuvent provoquer des dommages.



Danger de collision et d'entraînement :

- ne pas faire tourner l'autocentreur lorsque la roue n'est pas à bord
- ne pas s'approcher du flasque lorsqu'il est en mouvement
- faire attention aux griffes lorsqu'elles sortent du flasque
- ne pas placer d'objets saillants sur le flasque
- ne pas placer d'objets saillants à proximité du flasque

Tout contact avec des parties en mouvement pourrait provoquer des blessures.

⚠ DANGER

Il n'est pas possible d'utiliser ensemble des pneus et des jantes de diamètre différent.

- **Ne JAMAIS essayer de monter ou de gonfler un pneu et une jante de diamètre différent.**
- **S'assurer TOUJOURS que les diamètres du pneu et de la jante correspondent bien.**

L'utilisation d'un pneu et d'une jante de diamètre différent pourrait provoquer une explosion, avec risques d'accident mortel ou de blessures graves.

⚠ AVERTISSEMENT

Un pneu surgonflé peut exploser et projeter des fragments.

- Lire et comprendre le manuel de l'utilisateur avant l'utilisation.
- Empêcher l'accès des personnes étrangères au service à la zone de travail.
- **TOUJOURS** utiliser des lunettes de protection.
- **S'assurer TOUJOURS que les diamètres du pneu et de la jante correspondent bien.**
- **NE JAMAIS** essayer de monter ou de gonfler un pneu et une jante de diamètre différent.
- Inspecter les pneus. **NE JAMAIS** gonfler des pneus endommagés ou usés.
- **NE JAMAIS** gonfler des roues à jante divisée sur ce démonte-pneu ou bien les démonter et utiliser uniquement une cage de gonflage de sécurité agréée et conçue à cet effet.
- Bloquer la fixation de la plaque tournante à l'intérieur de la jante avant de commencer à gonfler le pneu.
- Utiliser un lubrifiant pour talon avant de démonter ou de monter le pneu sur la jante.
- Placer toujours le "bras de maintien de sécurité" sur la roue pour la maintenir fixée à la plaque tournant pendant le gonflage en cas d'équipement de ce genre.
- Si un pneu explose sur ce démonte-pneu, **ARRETER** de l'utiliser jusqu'à ce que le "bras de maintien de sécurité" ait été remplacé, ce qui doit être fait même si aucun dommage n'est apparent.
- **NE JAMAIS** placer la tête ou le corps au-dessus d'un pneu pendant le gonflage.
- Utiliser de petites injections d'air pour mettre en place sur les talons du pneu. Contrôler la pression de l'air du pneu, fréquemment. **NE JAMAIS** dépasser les limites de pression indiquées par le fabricant..
- **NE JAMAIS** essayer de dériver ou d'altérer le limiteur de pression incorporé. Ne gonfler le pneu qu'avec l'embout fourni avec le démonte-pneu. **NE JAMAIS** utiliser l'embout de gonflage de l'atelier pour gonfler un pneu.
- Le démonte-pneu doit être fixé au sol en béton s'il est équipé d'un "bras de maintien de sécurité".

L'explosion d'un pneu peut provoquer des blessures graves.

1.0 Sécurité

Tout opérateur doit avoir une parfaite connaissance des consignes de sécurité : toutes les consignes de sécurité doivent être respectées.

L'EXPLOITANT DOIT RESTER PRES DE LA MACHINE ET EN BON POSITION DU TRAVAIL, SUR LE COMMANDES (A).

SEUL L'OPERATEUR PEUT OCCUPER LA ZONE DE TRAVAIL.

L'EMPLOI DE L'APPAREIL EST PERMIS SEULEMENT AU PERSONNEL OPPORTUNEMENT FORMÉ PAR LE DISTRIBUTEUR AUTORISÉ.

TOUT ET N'IMPORTE QUEL CHANGEMENT OU MODIFICATION DE L'APPAREIL OU DE L'UNE DE SES PIÈCES QUI N'A PAS ÉTÉ AUTORISÉ PAR LE CONSTRUCTEUR, DÉCHARGE CELUI-CI DES DOMMAGES CAUSÉS PAR OU RAPPORABLES AUX ACTIONS SUSMENTIONNÉES.

LA LEVÉE OU L'ALTÉRATION DES DISPOSITIFS DE SÉCURITÉ OU D'INSTRUCTIONS PLACÉS SUR LA MACHINE ENTRAÎNE UNE VIOLATION DES RÈGLES SUR LA SÉCURITÉ.

L'EMPLOI DE L'APPAREIL EST PERMIS SEULEMENT EN LIEUX SANS DANGER D'EXPLOSION OU D'INCENDIE.

L'INSTALLATION DOIT ÊTRE EFFECTUÉE PAR DU PERSONNEL QUALIFIÉ DANS LE RESPECT DES INSTRUCTIONS DONNÉES.

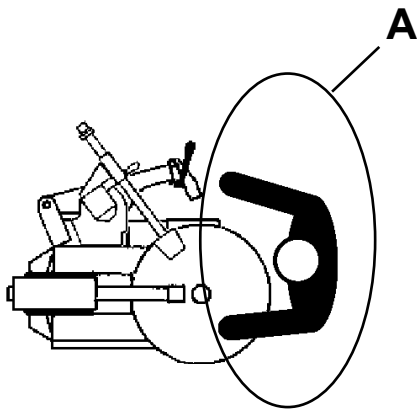
CETTE MACHINE EST CONÇUE POUR ACCEPTER DES ACCESSOIRES OU DES PIÈCES DE RÉCHANGE D'ORIGINE.

CONTRÔLER QUE PENDANT LES MANOEUVRES AUCUNE CONDITION DE DANGER NE SE VERIFIE. LE CAS ÉCHÉANT, ARRÊTER IMMÉDIATEMENT LA MACHINE.

SI L'ON REMARQUE DES IRRÉGULARITÉS FONCTIONNELLES, ARRÊTER LES OPÉRATIONS ET CONSULTER LE SERVICE APRÈS-VENTE DU DISTRIBUTEUR AUTORISÉ.

PENDANT L'UTILISATION ET L'ENTRETIEN DE LA MACHINE IL EST IMPÉRATIF DE RESPECTER TOUTES LES LOIS ET LES RÈGLES POUR LA PRÉVENTION DES ACCIDENTS.

L'INSTALLATION ÉLECTRIQUE DOIT ÊTRE ÉQUIPÉE D'UN CÂBLE DE TERRE ET LE CÂBLE DE TERRE DE LA MACHINE (JAUNE/VERT) DOIT ÊTRE BRANCHÉ AU CÂBLE DE TERRE DE L'INSTALLATION DE DISTRIBUTION.





AVANT TOUTE OPÉRATION D'ENTRETIEN ET DE RÉPARATION LA MACHINE DOIT ÊTRE DEBRANCHÉE DU RÉSEAU ÉLECTRIQUE ET DE L'AIR COMPRIMÉ.

NE PORTER JAMAIS DE CRAVATES, DE CHAÎNES OU AUTRES LORSQUE L'ON EXÉCUTE DES OPÉRATIONS D'EMPLOI, D'ENTRETIEN OU DE RÉPARATION SUR LA MACHINE. LES CHEVEUX LONGS SONT ÉGALEMENT DANGEREUX. ILS DOIVENT ÊTRE RASSEMBLÉS SOUS UNE CASQUETTE OU AUTRE.

L'OPÉRATEUR DOIT PORTER DES VÊTEMENTS ADÉQUATS, DES GANTS, DES CHAUSSURES DE SÉCURITÉ ET DES LUNETTES.

LES CÂBLES ÉLECTRIQUES DOIVENT ÊTRE CONSERVÉS EN BON ÉTAT.

LA ZONE DE TRAVAIL DOIT ÊTRE PROPRE. LES ENDROITS DESORDONNÉS FAVORISENT LES ACCIDENTS.

ÉVITER LES SITUATIONS DANGEREUSES. NE PAS UTILISER D'OUTILS PNEUMATIQUES OU ÉLECTRIQUES DANS DES LIEUX HUMIDES ET GLISSANTS, NE PAS LES EXPOSER AUX INTEMPÉRIES.

LA ZONE DE TRAVAIL DOIT ÊTRE BIEN ÉCLAIRÉE.

TOUTES LES INTERVENTIONS SUR L'INSTALLATION ÉLECTRIQUE DOIVENT ÊTRE RÉALISÉES PAR UN PERSONNEL PROFESSIONNELLEMENT QUALIFIÉ.

TOUTES LE RÉPARATIONS DOIVENT ÊTRE EFFECTUÉES PAR DES TECHNICIENS AGRÉÉS.

DISPOSITIFS DE SÉCURITÉ

La machine est pourvue de protections en plastique pour éviter les risques d'écrasement et de compression.

Il y a un régulateur de pression de gonflage pour éviter les risques d'explosion qui dérivent d'un surgonflage du pneu.

LE CARTER DE SÉCURITÉ ET LES DISPOSITIFS DE SÉCURITÉ DOIVENT ÊTRE ACTIFS ET DOIVENT FONCTIONNER CORRECTEMENT.

1.1 Typographie

Ce manuel contient des styles de texte qui vous demande de prêter une attention particulière:

Remarque: Suggestion ou explication.

MESURE DE PRUDENCE: INDIQUE QUE L'ACTION SUIVANTE RISQUE D'ENDOMMAGER LA MACHINE ET DES OBJETS ATTACHES A LA MACHINE.

AVERTISSEMENT: INDIQUE QUE L'ACTION SUIVANTE RISQUE DE CAUSER DES BLESSURES (SERIEUSES) A L'OPERATEUR OU AUTRES.

- Liste à puces:
- Indique que l'opérateur doit effectuer une action avant de pouvoir passer à l'étape suivante de la séquence.

Les pointillés autour du numéro de la figure indiquent qu'il s'agit d'un duplicata provenant d'un chapitre précédent.

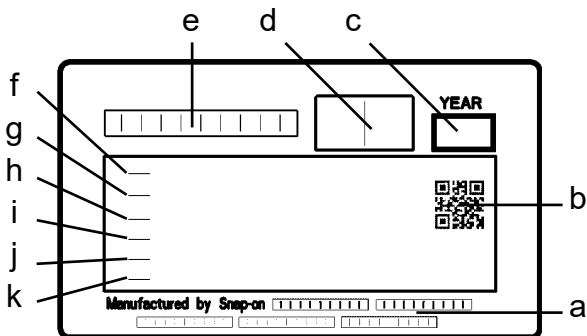
0.0-0

1.2 Plaquette du constructeur

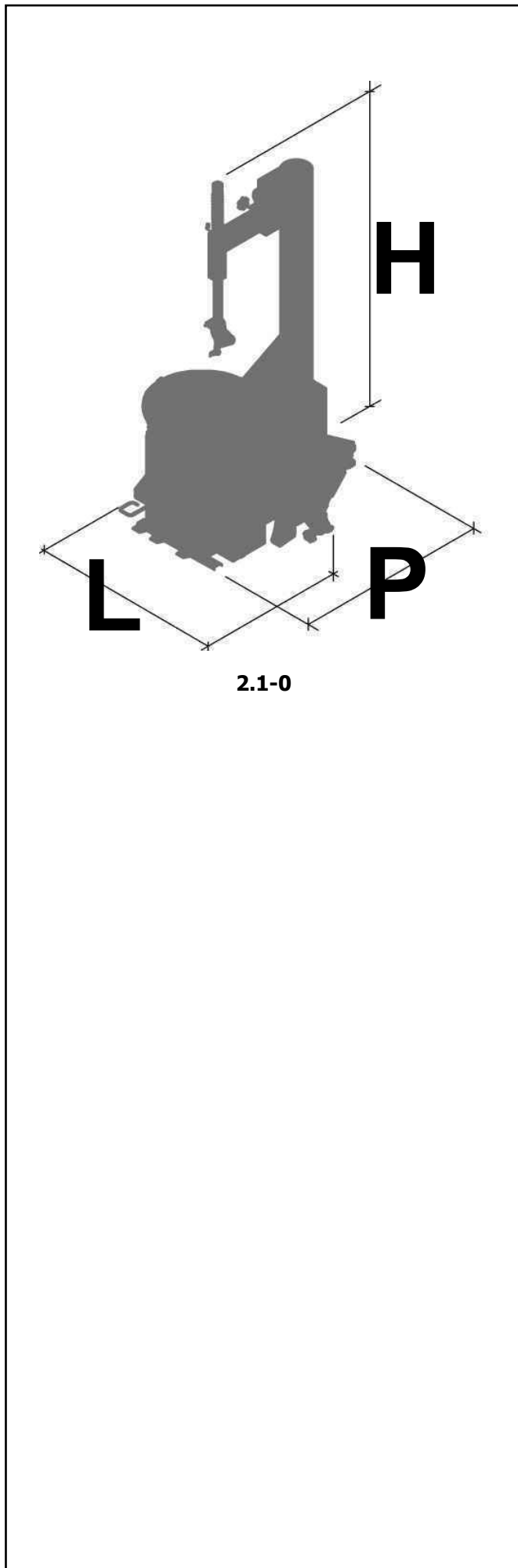
Attaché à la machine vous trouverez une plaque montrant les données suivantes:

Fig. 1.1-0

- a Nom et adresse du constructeur
- b code QR
- c Année de construction
- d Marquage de conformité
- e Marque
- f Modèle
- g Numéro de série
- h Poids
- i Caractéristiques électriques (volt, ph, Hz, kW et A)
- j Pression air comprimé (si présent)
- k Emission acoustique



1.1-0



2.0 Spécifications

Démonte-pneus électro-pneuma-tique pour roues de voiture, de fourgon et de moto avec pneus montés sur jantes à base creuse.

Poids	512 lbs (233 Kg)
Pression air comprimé	psi 110-170 (8-12 bar)
Force détalonneur	lbs 3400 (15,12 kN)

Spécifications électriques 1 vitesse:

115 VAC, 60 Hz, 1 PH, 12A

Puissance du moteur	kW 0.75 (hp 1)
Couple maximum	lbf-ft 738 (N·m 1000)
Vitesse de rotation de l'autocentreur:	7 rpm

Spécifications électriques 1 vitesse:

230 VAC, 50/60 Hz, 1 PH, 16A

Puissance du moteur	kW 0.75 (hp 1)
Couple maximum	lbf-ft 738 (N·m 1000)
Vitesse de rotation de l'autocentreur:	7-18 rpm

Diamètre maxi. de roue	50" (mm 1270)
Largeur maxi. de roue	15" (mm 380)

Blocage par l'extérieur	10"-24"
Blocage par l'intérieur	12"-24"
Verrouillage avec adaptateurs moto (*)	12"-26"
Verrouillage avec adaptateurs ATV (*)	8"-23"
Extensions pour la voiture (*)	17"-28"

Emission acoustique	70dBA
Emission acoustique - gonfleur-tubeless	120dBA

Dimensions exprimées en millimètres **Fig. 2.1-0**

L - Largeur min.-max.	39"3/4-53"1/8 (mm 1010-1350)
P - Profondeur min.-max.	43"1/4-47"1/4 (mm 1100-1200)
H - Hauteur min.-max.	68"-82" (mm 1730-2080)

2.1 Conditions

Lors d'une utilisation ou un stockage prolongé les conditions ne doivent jamais dépasser:

Plage de températures	0-50 °C
Plage d'humidité	10-90 %, sans condensation

(*) option

3.0 Introduction

Félicitations pour avoir acheté le démonte-pneu électro-pneumatique: **monty**.

Construit pour des utilisateurs professionnels qui travaillent intensément, ce démonte-pneu est d'emploi facile, sûr et fiable.

Avec un minimum d'entretien et de soin, ce démonte-pneu vous garantit de nombreuses années de travail rentable et sans problèmes.

Les instructions sur l'emploi, l'entretien et les modalités d'emploi sont décrites dans ce manuel.

CONSERVER SOIGNEUSEMENT CE MANUEL POUR TOUTE CONSULTATION. LIRE ATTENTIVEMENT CE MANUEL AVANT D'UTILISER LA MACHINE

Application.

Le démonte-pneu est destiné à être utilisé en tant que dispositif pour le montage automatique, le démontage automatique et l'enjantage du talon de pneus pour des V.L. et motos montés sur jantes à base creuse avec les caractéristiques suivantes:

Diamètre maximum: 50" (mm 1270)

Largeur maximum: 14" (355 mm)

Cet appareil devra être employé selon la destination pour laquelle il a été projeté.

Tout autre emploi doit être considéré comme impropre et donc inadéquat.

Le constructeur ne peut pas être considéré comme responsable des dommages éventuels causés par des emplois impropres, erronés et irraisonnés.

Manuels de la machine.

- Manuel de démarrage rapide
EAZ0090G03A
- Figures Pieces de Rechange
TEEWH7XXB3 - Manuel de Maintenance
Manuel utilisé par le personnel de maintenance seulement.
- Manuel de l'opérateur
ZEEWH7XXB06 (Chapitre 1 – 9)
L'opérateur doit se familiariser avec ce manuel
- Accessory Plan
Plan d'accessoire accessible sur le Web:
<http://service.snapon-equipment.net/>

Instructions pour l'installation.

Les instructions pour l'Installation se trouvent au Ch. 9 Annexes.

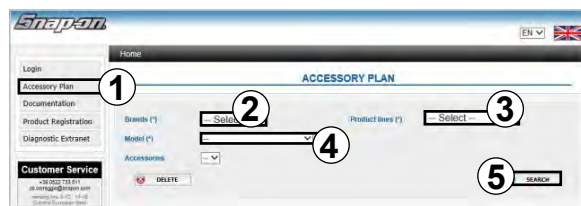
DECLARATION CE

(Le document original figurant dans le Liste des pièces détachées)

3.1 Accessoires

Une série d'accessoires sont normalement disponibles avec la machine. Tous les accessoires sont listés sur le site web : <http://service.snapon-equipment.net/>

Une fois entré dans la page web, procéder comme suit.



3.1-0

Fig. 3.1-0

- Sélectionner **Accessory Plan** (1).
- Sélectionner la Marque de référence dans la rubrique **Brands** (2).
- Sélectionner le type de produit «Tyre changers» dans la rubrique **Product lines** (3).
- Ouvrir la rubrique Model (4) et sélectionner le modèle de machine désiré dans la liste.
- Taper «**SEARCH**» (5) pour afficher la liste des accessoires disponibles.

NOTE: Pour les commandes, prière d'utiliser les codes mentionnés dans la liste.

4.0 Description

Se reporter à la Figure 4.1-0.

Description fonctionnelle de la machine:

1. Tige verticale
2. Bras déporté
3. Poignée de réglage
4. Poignée de blocage
5. Outil
6. Potence
7. Autocentreur
8. Mors
9. Bras détalonneur
10. Palette détalonneur
11. Support détalonneur
12. Levier pour soulever l'enveloppe
13. Pédalier
14. Pédale de gonflage
15. Gicleurs
16. Manomètre de gonflage

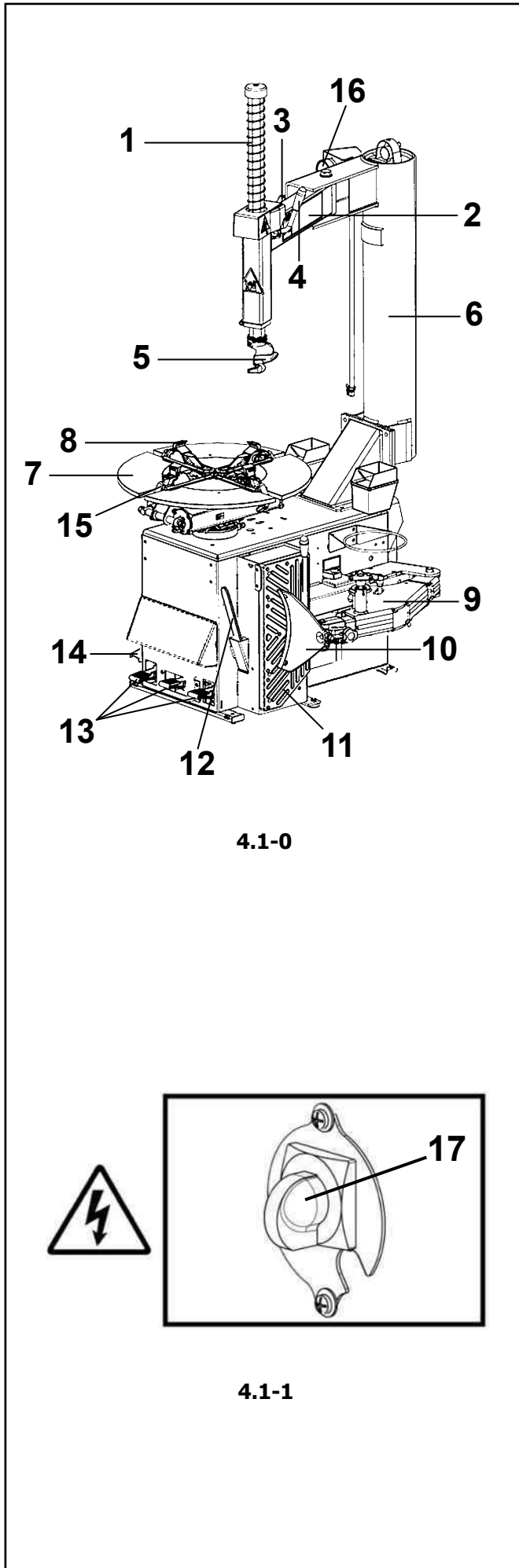
4.1-0

Se reporter à **Figure 4.1-1** (230V uniquement)

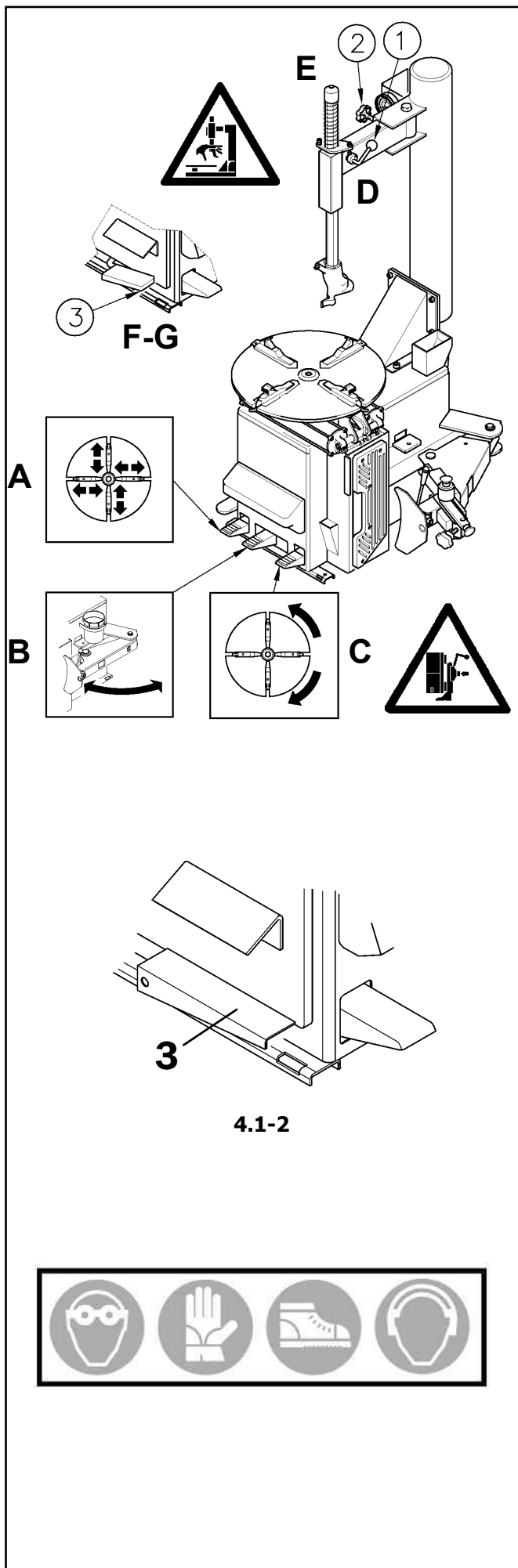
17. Fonctionnement On / Off

Lorsque l'appareil ne possède pas d'interrupteur pour allumer ou éteindre l'alimentation de la machine, débranchez et rebranchez la prise d'alimentation.

ATTENTION: IL EST CONSEILLÉ D'ÉTEINDRE LA MACHINE QUAND LA JOURNÉE DE TRAVAIL EST TERMINÉE.



4.1-1



4.1-2

4.1 Controls

Avant de travailler avec la machine, s'assurer d'avoir bien compris la position et les fonctions des commandes (Fig. 4.1-2).

- A.**
 - Appuyez sur la première pédale sur la gauche jusqu'à la fin de course et relâchez: les griffes de l'autocentreur se déplacent vers le centre. Appuyer de nouveau et relâchez: les griffes se déplacent du centre vers l'extérieur. Si l'on appuie sur la pédale non en fin de course, les griffes peuvent être arrêtées dans n'importe quelle position.
- B.**
 - Ouvrir le bras détalonneur.
Appuyer sans relâcher sur la pédale centrale: de cette façon, on agit sur le détalonneur et le bras se déplace vers la machine. Lâcher la pédale: le cylindre retourne à sa position originale.
- C.**
 - Appuyer sur la première pédale de droite: l'autocentreur va tourner dans le sens des aiguilles d'une montre. En soulevant la pédale l'autocentreur tournera sens inverse des aiguilles d'une montre.
- D.**
 - Baisser le levier (1, Fig. 4.1-2) pour débloquer l'outil en position de travail et le soulever pour bloquer.
- E.**
 - Utiliser la poignée de réglage (2, Fig. 4.1-2) pour positionner l'outil selon le diamètre de la roue.
- F.**
 - Appuyer sur la pédale du gonfleur (3, Fig. 4.1-2) jusqu'à mi-course: l'air sort seulement de l'extrémité du tuyau de gonflage.

AVERTISSEMENT!
ATTENTION AUX DOIGTS ET AUX JAMBES!

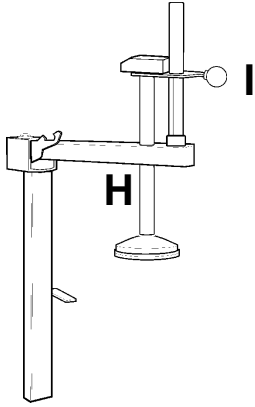
Si vous opérez sur les Tubeless

- G.**
 - Appuyer sur la pédale du gonfleur (3) en bout de course pour actionner les jets d'air des extrémités des gicleurs. En même temps, l'air sort de l'extrémité du tuyau de gonflage.

PENDANT L'ACTIONNEMENT DU DISPOSITIF DE GONFLAGE IL EST OBLIGATOIRE D'UTILISER DES CASQUES POUR SE PROTÉGER DU BRUIT ET DES LUNETTES DE PROTECTION POUR ÉVITER LA CONTAMINATION PAR LA POUSSIÈRE ET LES IMPURITÉS SOULEVÉES PAR LE JET D'AIR.

DANGER D'EXPLOSION DU PNEU

SRA



4.1-3

Lorsque SRA est équipé.

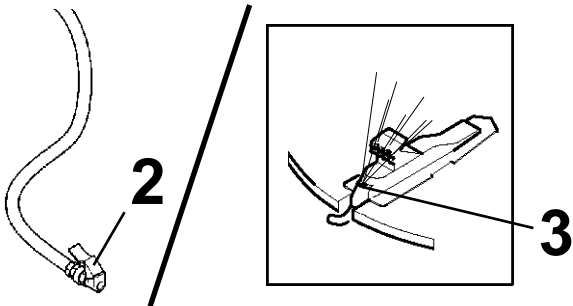
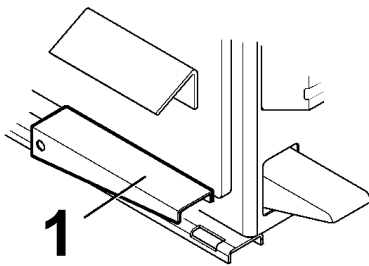
H.

- Le bras de maintien de sécurité SRA, se déplace au centre de l'autocentreur (Fig. 4.1-3).

I.

- Soulever le bouton de positionnement pour placer l'ensemble pneu/roue en vue du gonflage, en même temps appuyer sur le bras de blocage anti-rotation pour relâcher le dispositif de blocage. Vous pouvez maintenant amener le bras de sécurité en position au centre de la roue. Abaisser le bras jusqu'à ce que le tampon de caoutchouc présent sur le disque se trouve sur le centre de la jante. Le SRA est un dispositif de blocage qui bloquera automatiquement si une force autre que le bouton de position est soulevé. On est à présent prêt pour le processus de gonflage.

NOTE: L'inflation à partir de l'autocentreur ne fonctionnera pas tant que le bras de sécurité ne sera pas centré au-dessus de la table tournante.



4.1-4

Dans le modèle avec tallonneur pour tubeless :

F1. Appuyer sur la pédale du gonfleur (1, Fig. 4.1-4) jusqu'à mi-course: l'air sort seulement de l'extrémité du tuyau de gonflage (2, Fig. 4.1-4).

F2. Appuyer sur la pédale du gonfleur (1, Fig.4.1-4) en bout de course pour actionner les jets d'air des extrémités des gicleurs (3, Fig.4.1-4).

Remarque : Simultanément, de l'air continuera à sortir aussi du tuyau (2, Fig. 4.1-4) relié à la roue.

ATTENTION: L'ENJANTAGE TERMINE, ARRETER IMMEDIATEMENT LE JET D'AIR.

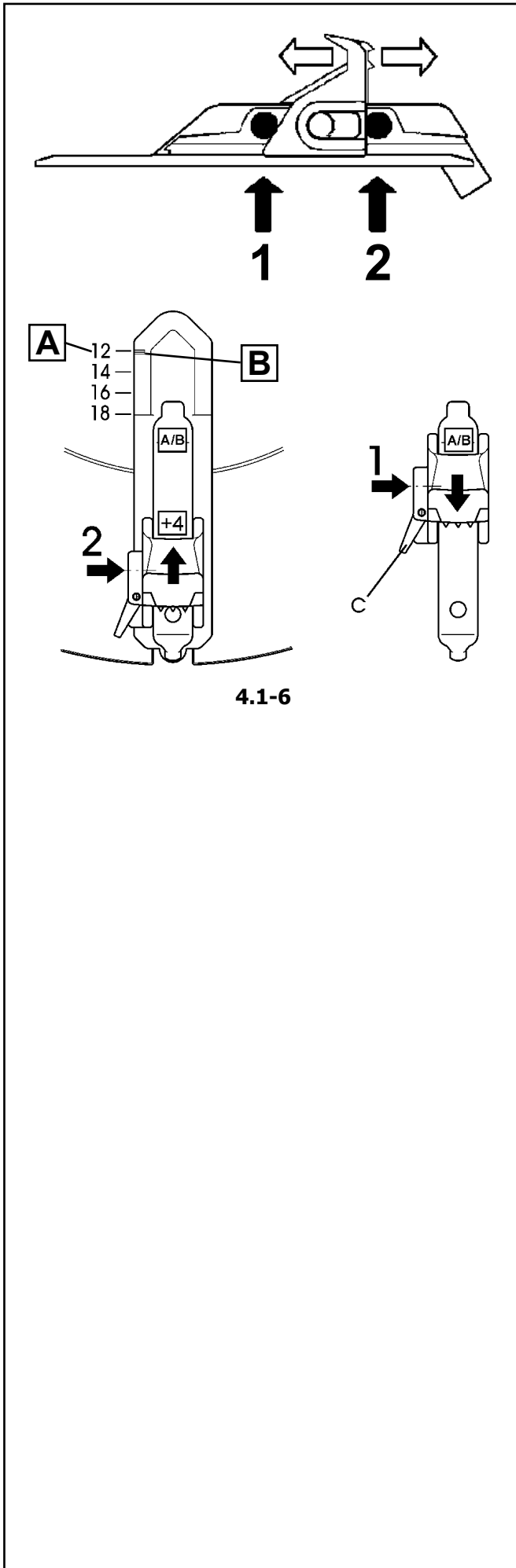
(Fig. 4.1-5)

PENDANT L'ACTIONNEMENT DU DISPOSITIF D'ENJANTAGE, LE PORT D'EQUIPEMENTS DE PROTECTION DES YEUX ET DES OREILLES EST OBLIGATOIRE, LES GICLEURS D'AIR POUVANT PROJETER IMPURETES ET POUSSIERES.

DANGER D'EXPLOSION DU PNEU



4.1-5



Préréglage des mors de serrage :

N.B.: la capacité de l'autocentreur peut être changée avant d'appuyer sur le pédale.

Les mors de l'autocentreur peuvent être positionnées de trois façons différentes (Fig. 4.1-6).

Pousser le levier (C) sur le côté gauche de chaque mors et laissez les glisser de la même distance (0/+2"/4").

TRES IMPORTANT: FAIRE UNE BONNE INSERTION DE PIN

ATTENTION! VEILLER A CE QUE TOUS LES QUATRE MORS DE SERRAGE SE TROUVENT DANS DES POSITIONS IDENTIQUES (FIG. 4.1-6, POS. 1 OU 2). SINON, LA JANTE PEUT TOMBER DU MANDRIN ET BLESSER L'OPERATEUR!

Les diamètres des jantes sont indiqués en pouces sur le mandrin (Fig. 4.1-6, Pos. **A**). Le pré réglage du diamètre (repère sur les mors (Fig. 4.1-6, Pos. **B**) à coïncider avec le repère rond sur le mandrin) dépend de la position des mors (positions 1 ou 2).

- Dans la position 1 des mors, le diamètre de la jante est pré réglé directement (Fig. 4.1-6, Pos. **1**).
- Dans la position 2 des mors, (Fig. 4.1-6, Pos. **2**) il faut ajouter 4 pouces.

5.0 Montage et démontage pneus. précautions générales



ATTENTION:

AVANT DE MONTER UN PNEU SUR UNE JANTE
SUIVRE LES INDICATIONS SUIVANTES:

A- LA JANTE DOIT ÊTRE PROPRE ET EN BON ETAT:
SI NÉCESSAIRE, LA NETTOYER APRÈS AVOIR
ENLEVÉ TOUTES LES MASSES Y COMPRIS
LES MASSES COLLÉES ÉVENTUELLEMENT
APPLIQUÉES À L'INTÉRIEUR DE LA JANTE.

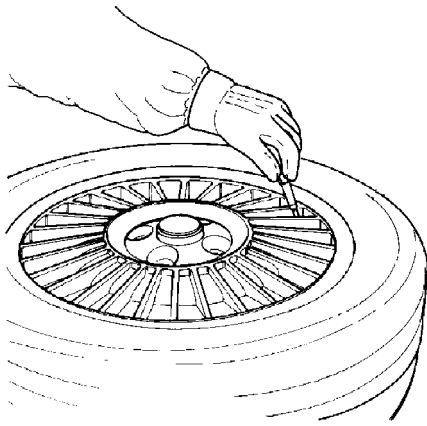
B- LE PNEU DOIT ÊTRE PROPRE ET SEC ET NI
LE TALON NI LA CARCASSE NE DOIVENT ÊTRE
ENDOMMAGÉS.

C- REMPLACER LA VANNE EN CAOUTCHOUC
AVEC UNE VANNE NEUVE ET REMPLACER LE
JOINT TORIQUE SI LA VANNE EST EN MÉTAL.

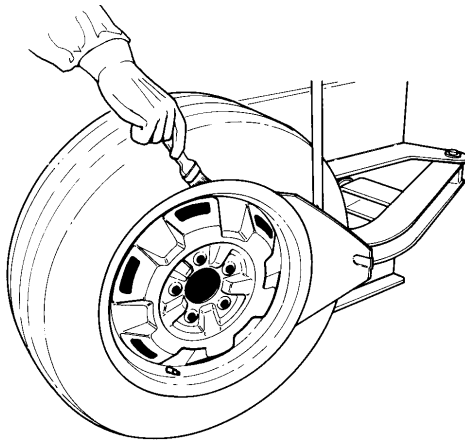
D- SI LE PNEU EST AVEC CHAMBRE À AIR,
S'ASSURER QU'ELLE SOIT SÈCHE ET EN BON
ÉTAT.

E- LA LUBRIFICATION EST NÉCESSAIRE
POUR MONTER CORRECTEMENT LE PNEU
ET OBTENIR UN CENTRAGE CORRECT DE
L'ENVELOPPE. UTILISER SEULEMENT UN
LUBRIFIANT SPÉCIFIQUE POUR PNEUS.

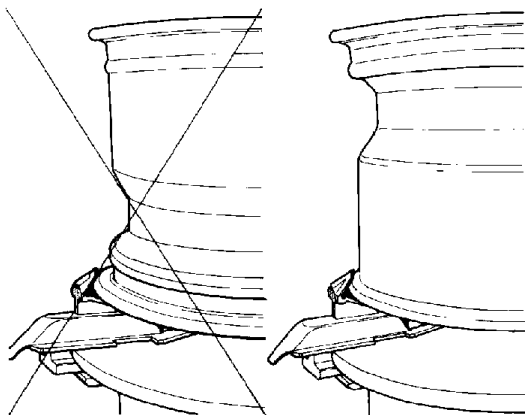
F- VÉRIFIER SI LE PNEU EST DE LA JUSTE
DIMENSION POUR LA JANTE.



5.1-1



5.1-2



5.1-3

5.1 Démontage pneus sans chambre (tubeless)

- Enlever toutes les masses des bords de la jante. Enlever la vanne et dégonfler le pneu (Fig. 5.1-1).
- Détalonner le flanc extérieur en commençant par une position opposée à celle de la vanne. Lubrifier le talon et la jante avec un lubrifiant spécifique. Détalonner le talon intérieur. Faire attention à ne pas appuyer sur la pédale plus qu'il ne faudrait. Cela pourrait causer un dommage immédiat au talon. Lubrifier abondamment le talon et la jante (Fig. 5.1-2).

AVERTISSEMENT!

SUR LES VOITURES A RUN FLAT PNEUS, AYANT LE DETECTEUR DE BASSE PRESSION EN OPTION, DETALONNER A UN ANGLE DE 90 DEGRES DE LA VANNE. LA ROUE SERA ENDOMMAGEE SI ON DETALONNE EN TOUT AUTRE POINT DE LA JANTE.

Blocage jante

- Positionner les griffes d'une façon convenable: griffes fermées pour bloquer la roue par l'intérieur et griffes ouvertes pour bloquer la roue par l'extérieur. Quand on bloque de l'extérieur des roues de petit diamètre (14" ou moins), positionner les griffes à un diamètre proche de celui de la jante avant de positionner la roue sur l'autocentreur. Cela évite le risque de pincer l'enveloppe.

AVERTISSEMENT!

BLOQUER LES JANTES EN ALLIAGE PAR L'EXTÉRIEUR POUR RÉDUIRE LE RISQUE D'ENDOMMAGEMENT.

- Lubrifier abondamment le talon et la jante.
- Positionner la roue sur l'autocentreur **AVEC LE CREUX DE LA JANTE VERS LE HAUT** (Fig. 5.1-3) et la bloquer.

5.1.1 Démontage Pneus

AVANT DE PROCÉDER À L'EXTRACTION DU PNEU VÉRIFIER SI LES DEUX TALONS SONT COMPLETEMENT DÉJANTÉS.

5.1.1.1 Positionnement Outil

Procédure:

- Mettre l'outil en contact avec le bord de la jante et le bloquer: l'outil s'éloigne automatiquement du bord de la jante en sens vertical. Tourner la poignée de réglage jusqu'à ce que l'outil s'éloigne du bord de la jante à peu près de $1/25''$ (1 mm): cela est nécessaire pour éviter des dommages à la jante (Fig. 5.1-4).

Remarque: quand l'outil de montage/démontage a été correctement positionné, les roues identiques peuvent être montées sans devoir régler l'outil de nouveau.

Remarque: la pièce intercalaire en plastique à l'intérieur de l'outil de montage/démontage doit être remplacée périodiquement. Chaque machine est fournie de différentes pièces intercalaires de rechange (dans la boîte des accessoires). Si on le désire, la pièce intercalaire en plastique peut être remplacée par une molette en acier contenue dans la boîte des accessoires. Suivre les instructions jointes aux pièces de rechange.

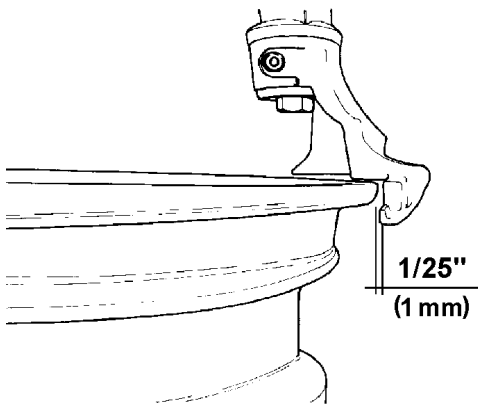
Réglage angulaire de l'outil

L'outil se règle à l'origine avec un angle optimal pour la plupart des roues actuelles. L'angle peut toutefois être optimisé pour des roues de diamètre sensiblement différent de la moyenne.

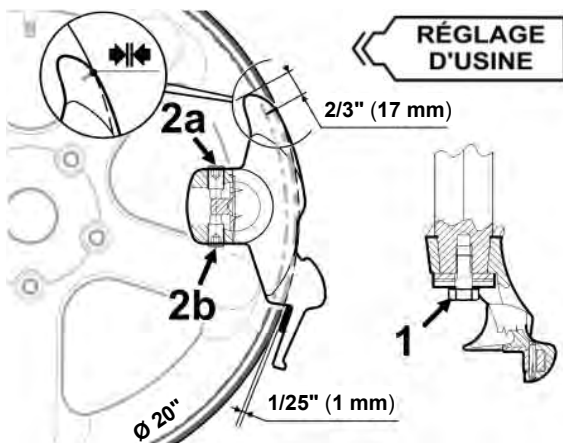
Pour régler l'angle de l'outil, procéder de la façon suivante :

1. Monter la jante dont la fonctionnalité doit être optimisée
2. Desserrer la vis inférieure (1, Fig. 5.1-5).
3. Régler l'outil à l'aide des vis représentées en (2a et 2b, Fig. 5.1-5). Dévisser la vis (2a ou 2b, Fig. 5.1-5) pour tourner l'outil respectivement en sens horaire ou antihoraire.
4. Visser la vis opposée pour bloquer l'outil en position angulaire souhaitée.
5. Serrer la vis inférieure (1, Fig. 5.1-5) au couple de 35 Nm.

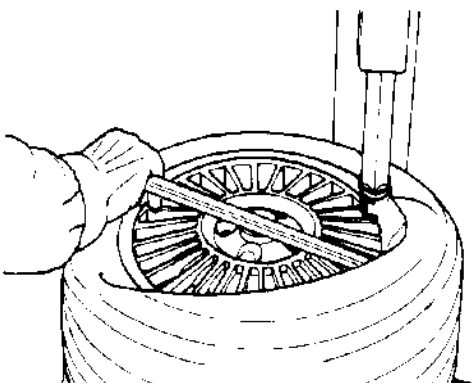
- Introduire le levier pour soulever l'enveloppe en-dessous du talon et au-dessus du support de l'outil. Soulever le talon sur la languette de montage. Pour rendre l'opération plus facile, appuyer, de la main gauche, sur le flanc du pneu dans une position opposée à celle de l'outil. Si l'on veut, on peut enlever le levier pour soulever l'enveloppe après avoir soulevé le talon sur la languette de montage (Fig. 5.1-6).



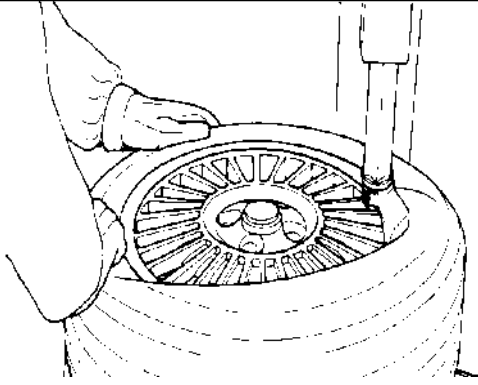
5.1.4



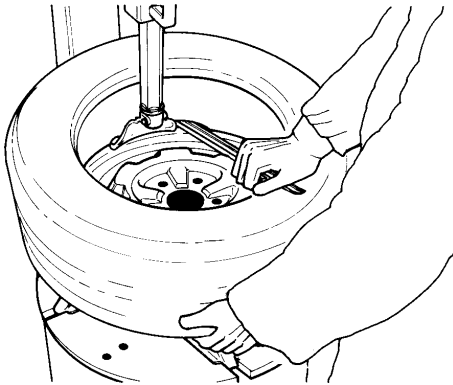
5.1.5



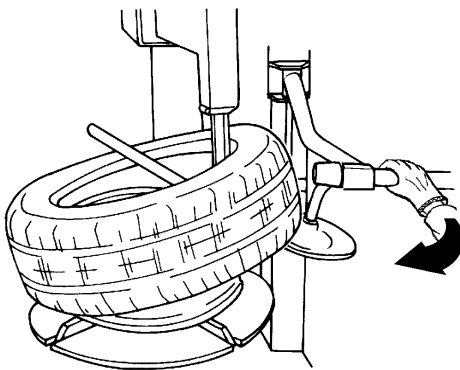
5.1.6



5.1.7



5.1.8



5.1-9

- Faire tourner l'autocentreur dans le sens des aiguilles d'une montre et en même temps, appuyer sur le flanc du pneu pour maintenir le talon dans le creux (Fig. 5.1-7).

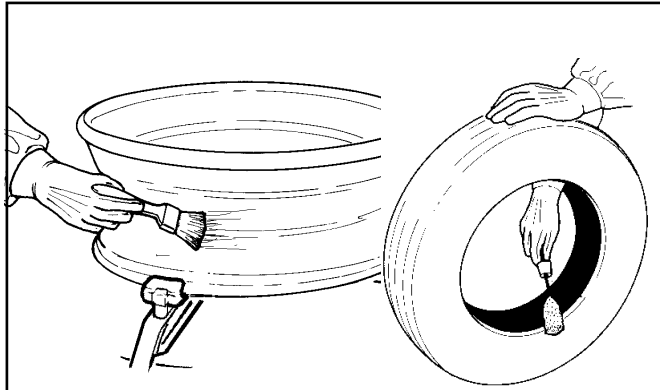
- Démontez le deuxième talon en exécutant les mêmes opérations. Soulever le pneu de la main gauche dans une position opposée à l'outil pour maintenir le talon dans le creux (Fig. 5.1-8). Déplacer le bras déporté latéralement et enlever le pneu.

Pour les pneus taille basse, utiliser l'étau de montage 'MH 310 PRO' (option).

- Positionner le disque inférieur près du bord de la jante inférieur.
- Tenir fermement la poignée du disque puis commander la montée du dispositif et, en même temps, tourner l'autocentrage (Fig. 5.1-9).

5.2 Montage pneus sans chambre (tubeless) sur jantes à base creuse

- Lubrifier toute la surface de la jante. Lubrifier les deux talons du pneu à l'intérieur et à l'extérieur avec un lubrifiant pour pneus (Fig. 5.2-1).

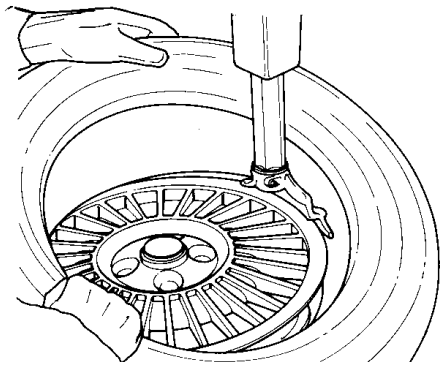


5.2-1

CONTRÔLER LE SENS DE ROTATION DU PNEU S'IL EST IMPOSÉ. CERTAINS PNEUS ONT UN POINT COLORÉ QUI DOIT ÊTRE TENU SUR LE FLANC EXTÉRIEUR DU PNEU.

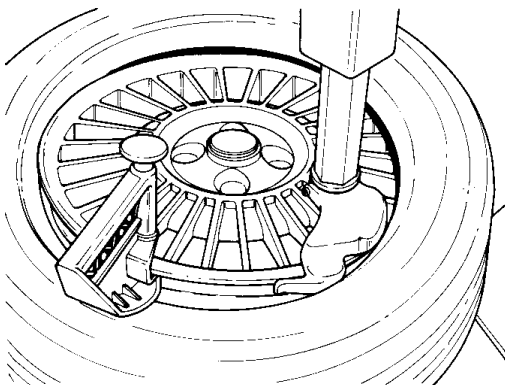
UNE LUBRIFICATION ABONDANTE EST NÉCESSAIRE POUR MONTER LE PNEU CORRECTEMENT ET OBTENIR UN BON CENTRAGE SUR LA JANTE. UTILISER SEULEMENT DES LUBRIFIANTS SPÉCIFIQUES POUR PNEUS.

- Bloquer la jante sur l'autocentreur et la tourner pour avoir la vanne sur 5h. Mettre le pneu sur la jante. Approcher le bras déporté et mettre l'outil en position de travail. Engager le talon inférieur AU-DESSUS de l'ailette de montage et EN-DESSOUS de la languette de l'outil. Faire tourner l'autocentreur dans le sens des aiguilles d'une montre et pousser le talon dans le creux en position opposée à l'outil (Fig. 5.2-2).



5.2-2

- Monter le talon supérieur de la même façon. Pour les pneus taille basse, utiliser l'étau de montage 'MX' (en option #EAA0247G70A) (Fig. 5.2-3) ou le MH 310 PRO.



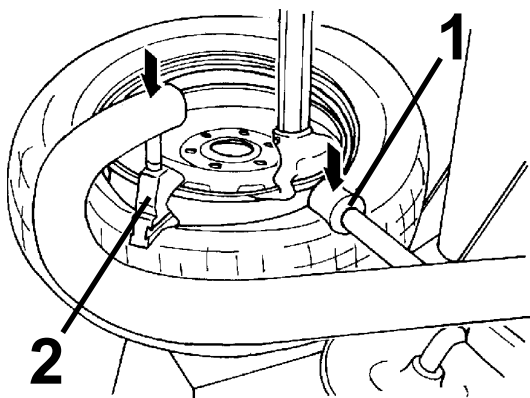
5.2-3

NOTE: POUR LES PNEUS SIDEWALLS ÉTROITS, LES RUN FLAT, OU LES PNEUS TRÈS RIGIDES IL EST RECOMMANDÉ D'UTILISER L'ACCESSOIRE MH 310 PRO (Fig. 5.2-4).

A. Montez le premier talon. Après avoir placé l'outil de montage/démontage, placez le rouleau (réf. 1) et l'outil (réf. 2) comme l'indique la Fig. 5.2-4.

B. Descendre le presse talon de façon que la pression du rouleau et de l'outil presseur sur le pneu aident à garder le talon dans le canal de la jante (Fig. 5.2-4).

Avant d'écarter l'outil de montage/démontage de la machine démonte-pneus, placez le rouleau et l'outil presseur en position de repos.



5.2-4

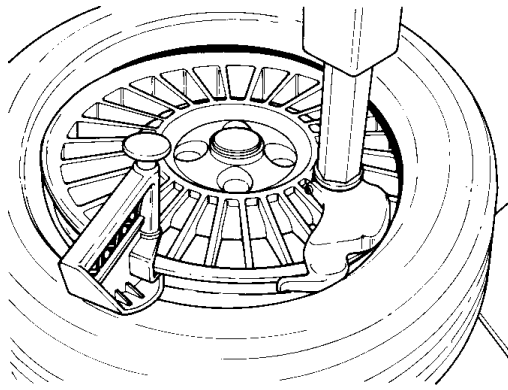
5.2.1 En cas de difficultés pour le montage du talon supérieur

Option 1)

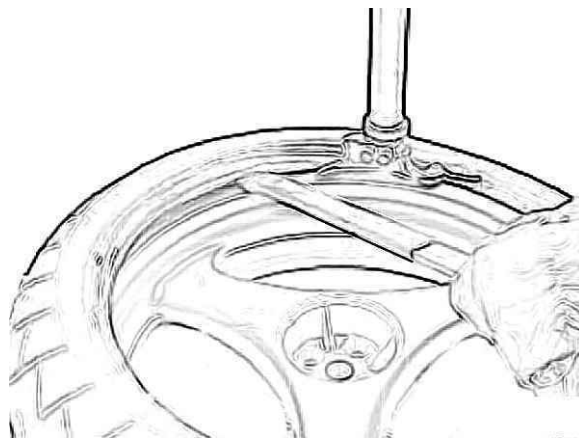
Utilisez le MH310PRO. Suivez les instructions séparées fournies.

Option 2)

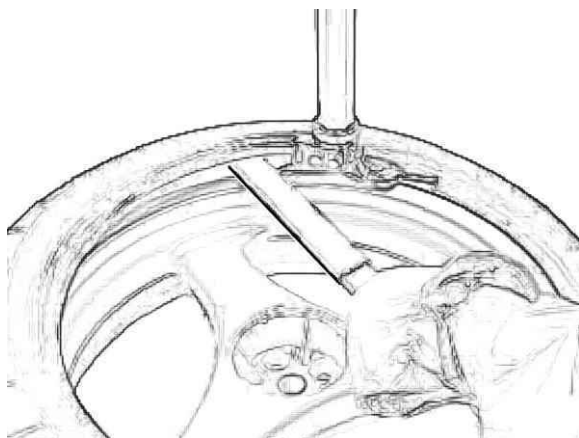
Suivez ces instructions qui utilisent l'**étau de montage MX** optionnel, #EAA0247G70A (Fig. 5.2.3).



5.2.3



5.2.1-1



5.2.1-2

- A. Le talon inférieur installé, introduire le levier à gauche de l'outil de montage/démontage (voir Fig. 5.2.1-1). Pour protéger les jantes de luxe, utiliser, sur le levier, la protection #EAA0247G04A (optionnel).
- B. Presser la commande à pédale pour faire tourner l'autocentrante dans le sens horaire jusqu'à ce que le levier prenne appui sur l'outil de montage/démontage (Fig. 5.2.1-1).
- C. De la main gauche, appuyer sur le côté opposé de l'outil et maintenir le talon à l'intérieur de la jante.
- D. Placer l'outil de montage MX #EAA0247G70A (optionnel) pour maintenir le talon du pneu à l'intérieur de la jante (Fig. 5.2.3).
- E. Faire tourner l'autocentrante par à-coups et utiliser le levier de la main gauche pour soulever et orienter le talon du pneu sur l'outil de montage/démontage (Fig. 5.2.1-2).
- F. Poursuivre la rotation de l'autocentrante pour terminer le montage du talon supérieur.

Ne pas retirer le levier ou l'outil de montage avant de relâcher la pédale de rotation.

5.3 Enjantage du talon des pneus

Par enjantage du talon, on entend l'adhérence initiale du talon du pneu à la jante, de manière à permettre la suite des opérations à savoir le gonflage et une parfaite pénétration du talon dans le logement de la jante.

Consignes de sécurité :

Pour des raisons de sécurité, une soupape à gonflage rapide pré-réglée à 4,5 bars est montée en amont du manomètre, pour le dispositif de gonflage actionné par pédale.

ATTENTION : NE PAS UTILISER LE DEMONTE-PNEUS COMME DISPOSITIF DE GONFLAGE.

LES DISPOSITIFS DE GONFLAGE A AIR COMPRIME, PRESENTS SUR LE DEMONTE-PNEUS ONT COMME BUT DE FACILITER L'ENJANTAGE DU TALON DU PNEU TUBELESS.

IL EST ABSOLUMENT INTERDIT DE DEPASSER LA PRESSION MAXIMALE ADMISSIBLE PAR LE FABRICANT DU PNEUMATIQUE.

L'OPERATEUR DOIT RESTER A UNE DISTANCE DE SECURITE QUAND IL PROCEDE L'ENJANTAGE DU TALON DU PNEU. LA PRESSION DOIT ETRE CONTROLEE FREQUEMMENT POUR EVITER UN GONFLAGE EXCESSIF.

AVANT D'ENJANTER LE TALON DU PNEU, CONTROLER L'ETAT DU CAOUTCHOUC ET DE LA JANTE.

S'ASSURER DE L'ETANCHEITE ENTRE LE RACCORD DE LA VALVE ET L'EXTREMITÉ DU TUBE D'AIR COMPRIME. UNE FUITE D'AIR PEUT DETERMINER UNE LECTURE ERRONEE DE LA PRESSION ET UNE SITUATION DE DANGER.

VERIFIER SI L'AIGUILLE DU MANOMETRE EST SUR ZERO, EN CONDITION DE REPOS.

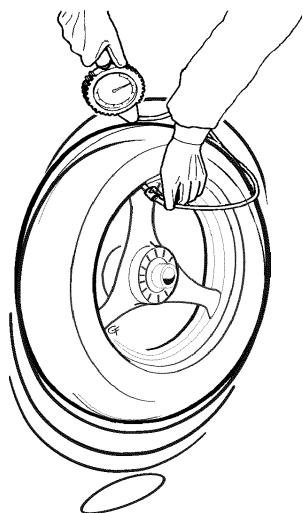
LA PHASE AU COURS DE LAQUELLE LE TALON VIENT PRENDRE PARFAITEMENT SA PLACE DANS LE LOGEMENT DE LA JANTE EST UNE PHASE EXTREMEMENT DANGEREUSE DU MONTAGE D'UN PNEU.

POUR COMPLETER L'ENJANTAGE DU TALON ET GONFLER LA ROUE CORRECTEMENT, LA PLACER DANS UNE CABINE HOMOLOGUEE.

QUELLE QU'EN SOIT L'ORIGINE, L'EXPLOSION D'UN PNEU PEUT PROVOQUER DES BLESSURES GRAVES VOIRE MORTELLES.

MEME S'IL EST POSSIBLE D'INTRODUIRE DES PNEUS AYANT UN DIAMETRE DE 1/2" PLUS PETIT QUE LA JANTE, LA TENUE DES TALONS DANS LES LOGEMENTS DE LA JANTE DANS UN TEL CAS N'EST PAS GARANTIE ET PEUT REPRESENTER UN DANGER POUR LES OCCUPANTS DU VEHICULE.





5.3-1

Enjantage talon de pneus Tubeless:

Effectuer l'enjantage talon avec la roue bloquée sur le démonte-pneus.

- S'assurer que les deux talons et l'intérieur de la jante sont bien lubrifiés.
- Visser l'insert valve.
- Raccorder le tube de l'air comprimé à la valve (2, Figure 5.3-2).
- Actionner la commande de l'air comprimé pour garantir que les talons pénètrent bien dans leur logement.

ARRETER LA COMMANDE DES QUE LES TALONS ADHERENT PARFAITEMENT A LA JANTE.

- Placer la roue dans une cage homologuée pour terminer le gonflage et faire en sorte que les talons pénètrent bien dans leur logement sur la jante.

Il arrive parfois que les pneus tubeless soient difficiles à enjanger, les talons ayant été forcés au cours du stockage, ce qui ne facilite pas la tenue sur la jante.

Dans ce cas, il peut être utile de poser la roue sur le sol et de la faire sauter en position verticale au moment où on envoie avec la pédale ou le pistolet de l'air comprimé (Figure 5.3-1).

Enjantage talon avec dispositif GP:

La machine peut être équipée d'un dispositif GP, nécessaire pour le montage des pneus tubeless sur jante.

(Fig. 5.3-2)

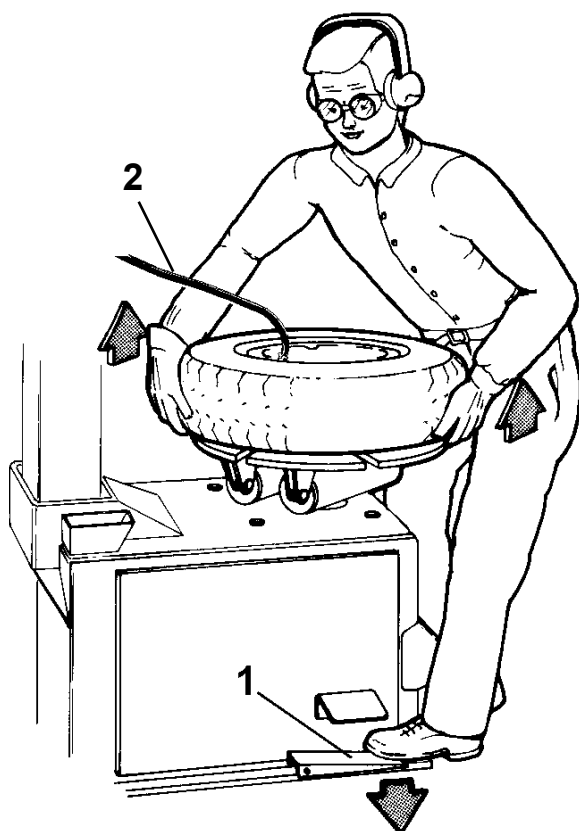
- Bloquer la roue sur l'autocentreur par l'intérieur de préférence (le blocage par l'extérieur réduit l'efficacité du dispositif).
- Raccorder le tube de l'air comprimé à la valve (2).
- Soulever le pneu des deux mains afin que le talon supérieur s'accroche contre le bord de la jante (Fig. 5.3-2).
- Appuyer à fond d'une façon rapide sur la pédale de gonflage (1, Fig. 5.3-2). Une grande quantité d'air est expulsée par les injecteurs placés sur les griffes et le talon inférieur adhère au bord de la jante en permettant le gonflage.

ARRETER LA COMMANDE DES QUE LES TALONS ADHERENT PARFAITEMENT A LA JANTE.

- Placer la roue dans une cage homologuée pour procéder au gonflage et faire en sorte que le talon pénètre bien dans son logement sur la jante.

(Fig. 5.3-3)

ATTENTION : QUAND LE DISPOSITIF D'ENJANTAGE TALON EST EN MARCHE, LE PORT D'EQUIPEMENTS DE PROTECTION DES YEUX ET DES OREILLES EST OBLIGATOIRE, LES GICLEURS D'AIR POUVANT PROJETER IMPURETES ET POUSSIÈRES.



5.3-2



5.3-3



5.4 Démontage pneus avec chambre

- Pour le démontage opérer comme décrit pour les pneus sans chambre au 5.1. Dans ce cas la vanne ne peut pas être remplacée car elle est unie à la chambre à air.

NE PAS ENDOMMAGER LA CHAMBRE À AIR PENDANT L'OPÉRATION DE DÉTALONNAGE. LA VANNE DOIT ÊTRE EN POSITION OPPOSÉE À LA PALETTE DU DÉTALONNEUR.

- Pour démonter le premier talon, la vanne devra être positionnée sur 3h.

NE PAS PINCER LA CHAMBRE À AIR AVEC LE LEVIER QUAND ON SOULÈVE LE TALON SUR LA LANGUETTE DE L'OUTIL.

Après avoir démonté le premier talon, enlever la chambre à air avant de démonter le deuxième talon, comme décrit au 5.1.

5.5 Montage pneus avec chambre

- Opérer comme décrit au 5.2. NE PAS lubrifier la chambre à air. Si on le désire, utiliser de la poudre de talc pour faciliter le positionnement de la chambre à air dans le pneu.
- Monter la vanne sur la chambre à air et l'appuyer sur l'enveloppe pour contrôler si la mesure est correcte (Fig. 5.5-1).
- Gonfler un peu la chambre à air: si on la soutient de l'index elle doit se plier un peu (Fig. 5.5-2).
- Monter le premier talon comme décrit au 5.2. Mettre la chambre à air dans le pneu et accrocher la vanne avec la pince du tuyau de gonflage (Fig.5.5-3). Monter le deuxième talon comme le premier.

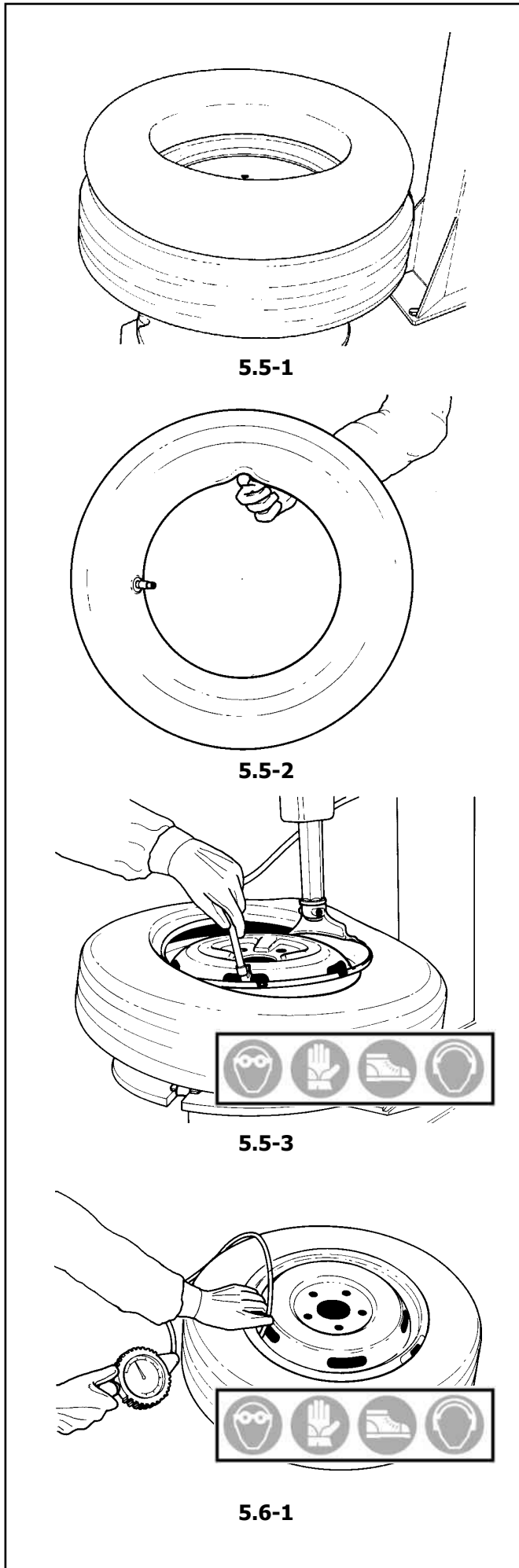
5.6 Gonflage pneus avec chambre

Débloquer la jante et commencer à gonfler le pneu en poussant la vanne vers l'intérieur pour éviter la formation de poches d'air entre la chambre à air et l'enveloppe (Fig.5.6-1).

Contrôler si le pneu est bien centré sur la jante.

ARRÊTER LA COMMANDE DES QUE LES TALONS ADHÉRENT PARFAITEMENT A LA JANTE.

- Placer la roue dans une cage homologuée pour terminer le gonflage et faire en sorte que les talons pénètrent bien dans leur logement sur la jante.



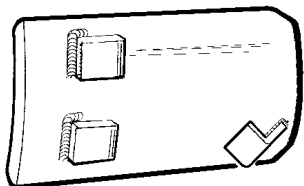
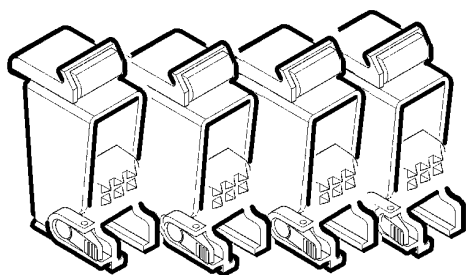
5.7 Montage et démontage pneus moto

Pour opérer sur les pneus pour moto il faut monter les adaptateurs spéciaux à prise rapide sur les griffes de l'autocentreur EAA0329G53A (4 pièces) et EAA0247G14A Palette détalonneur moto.

La technique de détalonnage, de montage et de démontage est la même que pour les pneus pour auto.

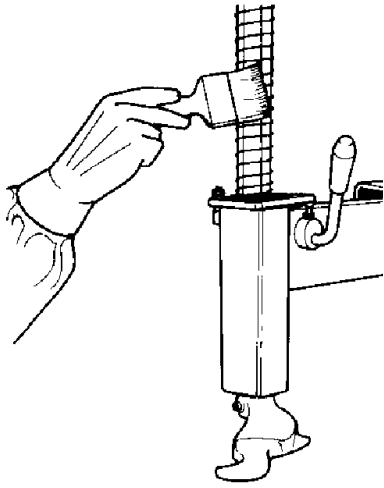
LES JANTES MOTO DOIVENT ÊTRE BLOQUÉES TOUJOURS PAR L'EXTÉRIEUR.

LAPRESSION DE L'AIR DANS LAMACHINE NE DOIT PAS DÉPASSER LES 140 PSI (10 BAR) QUAND ON BLOQUE LES JANTES MOTO.



6.0 Entretien

AVANT DE COMMENCER TOUTE OPÉRATION D'ENTRETIEN ET DE RÉPARATION DÉBRANCHER LA MACHINE DU RÉSEAU ÉLECTRIQUE ET DE L'AIR COMPRIMÉ.



6.0-1

A. Nettoyer périodiquement la tige hexagonale avec un détergent liquide non inflammable. Lubrifier avec de l'huile (Fig. 6.0-1).

B. Nettoyer périodiquement l'autocentreur avec du détergent liquide non inflammable, essuyer et lubrifier avec de l'huile la surface de coulissement des griffes.

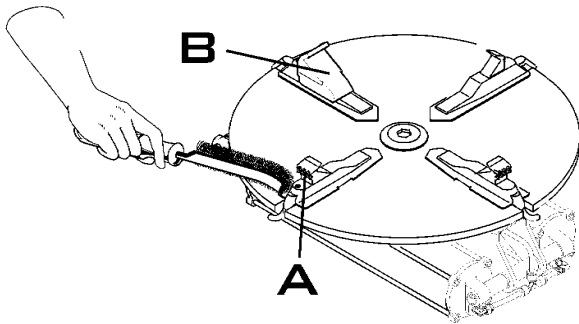
C. Nettoyer avec une brosse en acier les dents des griffes (A) et contrôler les protections en plastique (B) : si celles-ci sont détériorées les remplacer avec de nouvelles protections (Fig. 6.0-2).

D. Laver périodiquement toutes les parties en plastique avec de l'eau froide et du savon ou avec des détergents chimiques non agressifs.

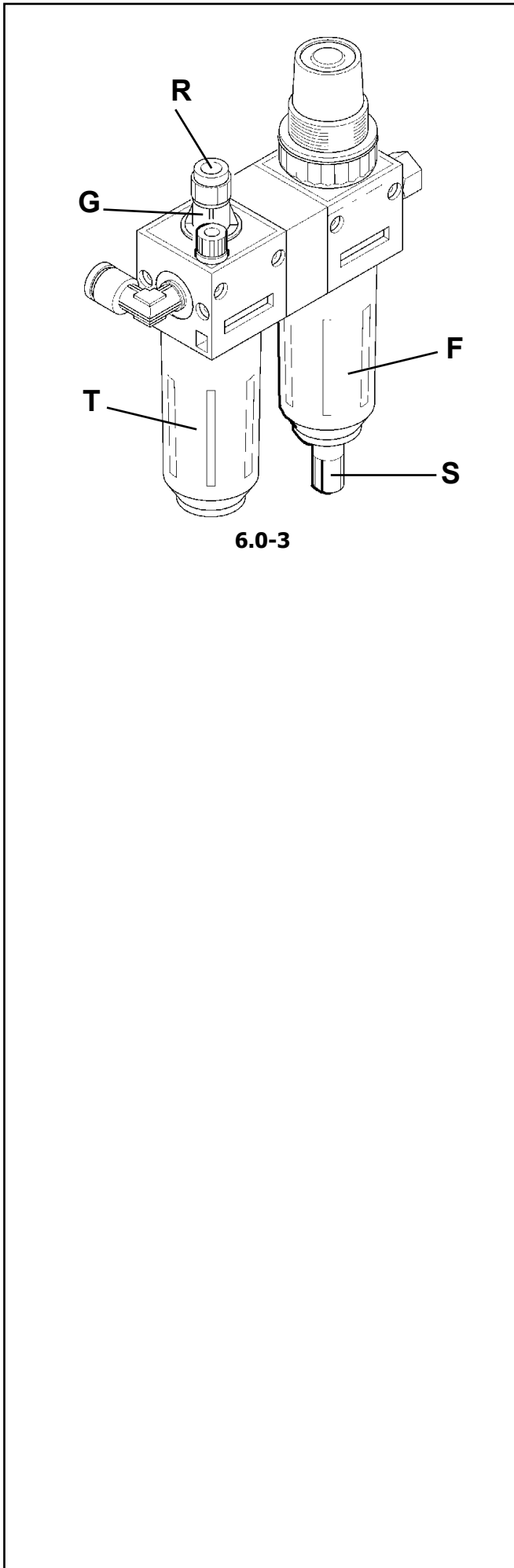
E. Lubrifier périodiquement avec de l'huile toutes les tiges des cylindres.

F. Remplacer périodiquement les parties en plastique dans l'outil de montage/démontage.

G. Contrôler les supports du détalonneur: s'ils sont détériorés, les remplacer.



6.0-2



H. Vider tous les jours le filtre de l'eau en tirant la décharge rapide "S" vers le bas (S, Fig. 6.0-3).

I. La machine est équipée d'un huileur automatique, contrôler régulièrement le niveau de l'huile. Quand on ajoute de l'huile au graisseur, il faut tout d'abord débrancher le réseau de l'air comprimé, et ajouter de l'huile en quantité suffisante. S'assurer que les joints soient en position quand on monte l'embaîtement de nouveau.

ATTENTION!

MAINTENIR HAUT LE NIVEAU DU HUILEUR, EN PARTICULIER POUR LES MACHINES ACTIONNEES D'UN MOTEUR PNEUMATIQUE.

UTILISER EXCLUSIVEMENT DES HUILES POUR DISPOSITIFS PNEUMATIQUES, NE PAS UTILISER DE LIQUIDE POUR FREINS OU D'AUTRE LUBRIFIANTS NON CONSEILLÉS.

Huiles conseillées pour filtre/ huileur:

WHITE MINERAL OIL: 15 cSt

TAMOIL:	WHITE MINERAL OIL 15
SHELL:	ONDINA OIL 15
BP:	ENERGOL WT3
TOTAL:	LOBELIA SB 15
ESSO:	MARCOL 82

J. Contrôler périodiquement l'action du huileur. Une goutte de huile (G, Fig.6.0-3) qui tombe dans le cône transparent toutes les 4 ou 5 opérations du détalonneur, indique que la juste quantité d'huile est débitée au système. Si nécessaire régler l'unité en utilisant la vis de richesse (R, Fig.6.0-3).

K. Si la machine est équipée en plus d'une unité d'enjantage talon pour pneus tubeless, décharger l'eau de condensation du réservoir tous les jours.

6.1 Mise de côté

In case the machine is not to be used for a long period of time (6 months or more) it is necessary to disconnect all power sources, discharge the bead seater tank (only GP version), protect all parts that may be damaged, protect the air hoses that may be damaged by the drying process. When putting the machine back in operation, check first the condition of all previously protected parts, and check for correct functioning of all devices before using the machine again.

7.0 Dépannage

En cas de problème avec le démonte-pneus électro-pneumatique, procéder comme suit pour résoudre le problème:

1. Se remémorer les dernières actions effectuées.
Le travail a-t-il été effectué selon les instructions du manuel?
Est-ce que la machine fonctionnait selon les descriptions et les normes?
2. Vérifier la machine selon la liste de ce chapitre.
3. Appeler votre service après-vente pour une révision technique.

Ce chapitre se divise en:

Problème

1. Cause possible #1
 - Solution(s) possible(s)
2. Cause possible #2
 - Solution(s) possible(s)

En appuyant sur la pédale de rotation de l'autocentreur la machine ne fonctionne pas.

1. Manque de tension.
 - Contrôler si la fiche est connectée au réseau et si l'alimentation du réseau est branchée.
2. Inverseur ou moteur en court-circuit.
 - Contrôler que les caractéristiques de la machine soient compatibles avec celles de l'installation.
 - Appeler un centre de service après-vente agréé.

La pédale de rotation de l'autocentreur ne retourne pas en position centrale.

1. Ressort pédale cassé.
 - Ramener la pédale inverseur en position centrale.
 - Brancher la machine du réseau électrique et pneumatique.
 - Appeler un centre de service après-vente agréé.

Pédales autocentreur et détaillonneur dures.

1. Tiges vannes pneumatiques sèches.
 - Vérifier le niveau de l'huile dans le huileur et son fonctionnement.

Cylindre détaillonneur a peu de force dans la phase de détaillonnage.

1. Faible pression.
 - Nettoyer la vanne.
 - Vérifier la pression de l'air dans le réseau d'alimentation.
2. Joints cylindre détériorés.
 - Appeler un centre de service après-vente autorisé.

L'autocentreur ne serre pas les jantes.

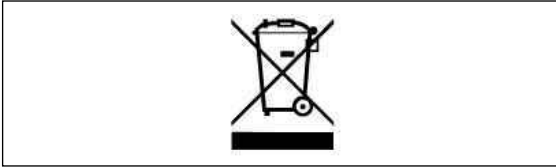
1. Faible pression.
 - Nettoyer les mors.
2. Mors détériorés.
 - Nettoyer l'autocentreur.
3. Mors sales.
 - Vérifier la pression de l'air dans le réseau d'alimentation.
4. Autocentreur sale.
 - Vérifier les conditions des mors.
 - Appeler le centre de service après-vente pour remplacer les mors.

La machine endommage les jantes en alliage.

1. Protection en plastique de la tête détériorée.
 - Remplacer la protection en plastique de la tête.
2. Protection mors détériorée.
 - Substituer la protection des mors.

8.0 Vente

Pour la mise à la décharge de l'équipement arrivé en fin de vie, contacter le revendeur pour une offre ou pour connaître les instructions utiles à son démantèlement.



Ce symbole indique l'obligation d'effectuer le tri sélectif des appareils électriques et électroniques au moment de sa mise à la décharge.

8.1 Consignes de démolition

Pour les équipements électriques et électroniques, voir la Directive européenne 2002/95/CE, 2002/96/CE et 2003/108/CE (RAEE)

Au moment de la mise à la décharge, à la fin de la vie de cet équipement, il est obligatoire de :

1. Mettre la machine hors service ; ôter la fiche et couper le câble d'alimentation à proximité de sa sortie de la machine.
2. NE PAS SE DÉFAIRE de l'équipement comme s'il s'agissait d'un déchet urbain mais effectuer le tri sélectif en apportant les matériaux aux centres de collecte et de tri agréés.
3. S'informer auprès du revendeur pour connaître les endroits de collecte, de recyclage et de tri autorisés ou pour une éventuelle reprise de l'équipement en cas d'achat d'un neuf (obligation du « un pour un »).
4. Respecter les normes sur la gestion des déchets pour éviter tout risque probable de nuisances à l'environnement et à la santé des personnes. En cas de mise à la décharge illicite, le transgresseur est passible de sanctions administratives.

9.0 Annexes

Ce chapitre contient des renseignements supplémentaires concernant la machine.

S'il existe un problème concernant la configuration exacte de la machine, veuillez noter que la configuration exacte peut différer dans votre pays. Se reporter au bon de commande pour de plus amples renseignements.

Instructions pour l'Installation

i. Conditions requises pour l'installation

L'INSTALLATION DOIT ÊTRE EFFECTUÉE PAR DU PERSONNEL QUALIFIÉ DANS LE RESPECT DES INSTRUCTIONS DONNÉES.

Installer la machine dans un lieu couvert et sec. L'installation de la machine nécessite un espace de 106"x106" (270x270cm) (Fig.i-1).

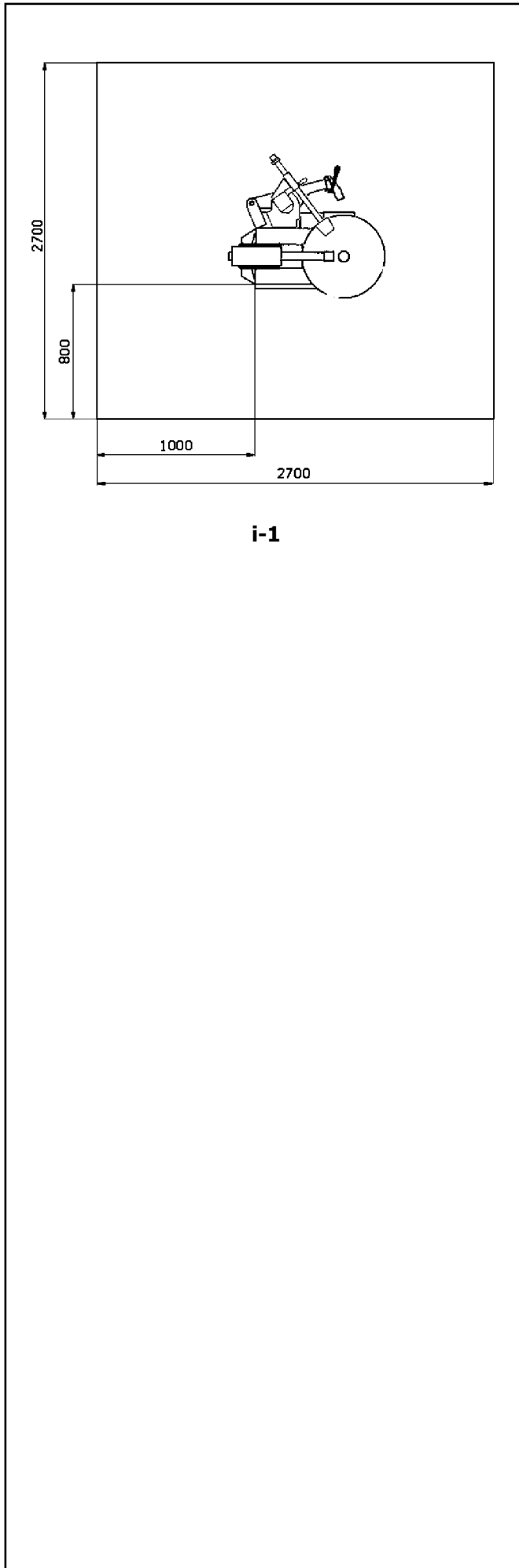
S'assurer que l'opérateur soit à même de visualiser tout l'appareil et la zone environnante de sa position de travail.

L'opérateur doit interdire, dans cette zone, la présence de personnes non autorisée et d'objets qui pourraient être une source de danger.

La machine doit être montée sur un plan horizontal, lisse de préférence. Eviter les plans souples ou disjoints.

Si la machine doit être installée sur des entresols ou des soupentes, les plans doivent avoir une portée de 110lbsxsqft (5000 N/m² o 500 kg/m²) au moins. La machine doit être fixée au sol par les logements spéciaux troués placés sur l'empattement.

On doit utiliser des chevilles de 12x120. On doit faire des trous en correspondance des ouvertures prévues avec une perceuse avec un foret de 12 mm. Ensuite, introduire les chevilles et placer la machine en correspondance des trous ainsi préparés. Introduire les vis et serrer avec une clé dynamométrique étalonnée à 51 ftxlb (70 Nm).

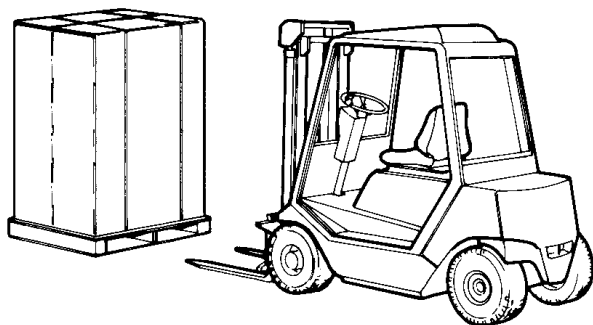


ii. Transport – Déballage - Déplacement de la machine

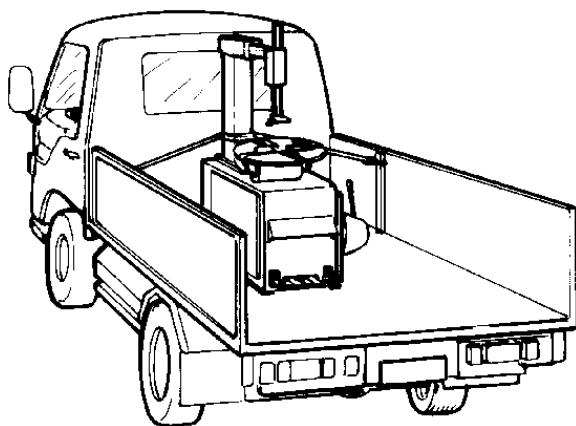
Transport

La machine est emballée dans une boîte de carton de robustesse adéquate. Cette boîte est montée sur une palette pour le transport. Le transport de la machine emballée doit être effectué avec un dispositif de levage spécial (chariot élévateur) (Fig.ii-1).

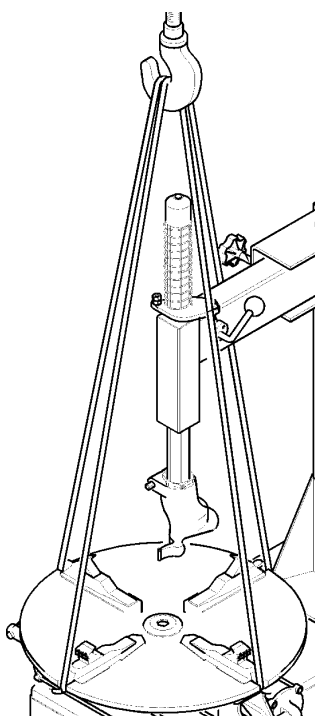
La machine peut aussi être montée sur une palette avec la potence montée. En ce cas, la machine doit être ancrée au moyen de transport par des courroies de robustesse appropriée accrochées à la potence (Fig. ii-2).



ii-1



ii-2



ii-3

Déballage

Il faut effectuer l'opération de déballage en faisant particulièrement attention au découpage des feuillets ou à toute autre opération qui puisse être dangereuse. Après avoir enlevé l'emballage, s'assurer de l'intégrité de la machine et de ses pièces, en contrôlant s'il y a des dommages visibles. En cas de doutes, ne pas utiliser la machine et s'adresser au personnel professionnellement qualifié.

Les éléments de l'emballage (sachets en plastique, polystyrène expansé, clous, vis, bois, etc.) ne doivent pas être abandonnés. Mettre les matériaux susmentionnés dans les lieux de ramassage spéciaux et les éliminer selon les règles locales en vigueur.

METTRE TOUJOURS DES GANTS PENDANT LE DÉBALLAGE POUR ÉVITER DES GRIFFURES OU DES ÉGRATIGNURES DUES AU CONTACT AVEC LE MATÉRIEL DE L'EMBALLAGE.

Déplacement de la machine

Si la machine doit être déplacée d'une position à une autre, procéder suivant les indications ci-dessous:

Debrancher les sources d'alimentation électrique et pneumatique.

Enlever du plateau de la machine les éventuels dispositifs ou les pièces qui pourraient tomber pendant le déplacement et causer ainsi des dangers.

Elinguer la machine comme montré dans la (Fig. ii-1). Ne pas utiliser des cordages métalliques pour l'élingage. Utiliser des courroies de 3000 mm (10') de longueur et de Kg 500 (1100 lbs) de portée.

iii Procédures d'installation

Branchement électrique

L'INSTALLATION DOIT ÊTRE EFFECTUÉE PAR DU PERSONNEL QUALIFIÉ DANS LE RESPECT DES INSTRUCTIONS DONNÉES.

Contrôler attentivement sur la plaquette des données du constructeur, que les caractéristiques électriques de l'installation correspondent à celles du réseau.

La machine, selon la version commandée, peut nécessiter:

115VAC +/-10% 1ph 60Hz 12A

a un moteur monofasé

ou bien

230VAC +/-10% 1ph 50/60Hz 16A

a un moteur monofasé.

Les caractéristiques électriques sont indiquées clairement sur une étiquette au bout du câble électrique.

Avant de procéder au branchement, vérifier la condition des conducteurs et la présence d'une installation de terre efficace.

Relier le câble électrique de la machine à une fiche homologuée.

La mise en conformité du réseau électrique qui alimentera la machine 115V est à la charge de l'utilisateur. Il est recommandé d'installer des fusibles lents de **30 A**.

20 A (25 A pour le Japon); dans le cas de la machine avec INVERSEUR ou un interrupteur automatique (magnétothermique) équivalent.

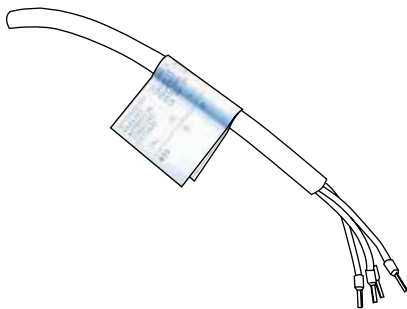
Remarque: L'installation électrique de distribution doit être vérifiée par un électricien avant de relier le démonte-pneu.

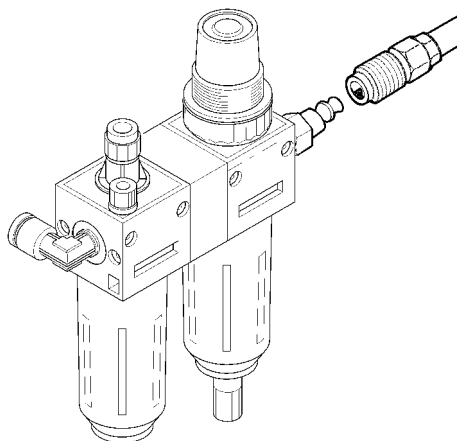
Remarque: Le câble de terre est jaune/vert. Ne jamais relier le câble de terre à l'une des phases.

Contrôler si l'installation de distribution est pourvue d'un dispositif d'interruption automatique contre les surintensités, équipé d'un différentiel étalonné a 30 mA.

AVERTISSEMENT: EN PRESENCE D'UN CONVERTISSEUR, IL EST CONSEILLE D'UTILISER EXCLUSIVEMENT DES INTERRUPTEURS DIFFERENTIELS DE TYPE **B**.

Le moteur électrique travaille avec une grande tolérance de tension (plus ou moins 10%) et de fréquence (60 Hz) et il est climatisé standard pour travailler en zones à climat chaud et humide.





iii-1

Branchement pneumatique

L'INSTALLATION PNEUMATIQUE DOIT ÊTRE EFFECTUÉE PAR DU PERSONNEL PROFESSIONNELLEMENT QUALIFIÉ.

La machine, comme le montre la plaquette du constructeur et l'étiquette mise à proximité du branchement de l'air, fonctionne avec alimentation pneumatique à une pression de 8 à 12 bar.

Contrôler si la pression du réseau est dans les limites demandées.

Si la pression de l'air est plus basse que le minimum demandé de 8 bar (110 psi) la force de blocage de l'autocentreur et la force du détalonneur peuvent être insuffisantes pour certains pneus. Si la pression est supérieure à 12 bar (170 psi), il faut installer un régulateur de pression avant la prise d'air de la machine.

On conseille de monter sur le réseau de l'air comprimé un filtre supplémentaire pour réduire la quantité d'eau dans le réseau.

Relier la machine à la ligne de l'air comprimé avec un tuyau en caoutchouc (à même de supporter la pression) de 6 mm de diamètre intérieur. Un raccord NPT ¼" est fourni à l'entrée de l'air.

AVANT DE RELIER LA MACHINE AU RÉSEAU DE L'AIR COMPRIMÉ, CONTRÔLER QUE RIEN NE SOIT LAISSÉ SUR L'AUTOCENTREUR (OUTILISÈTE).

Après avoir effectué tous ces contrôles, procéder comme il suit:

- Relier la machine à la ligne de l'air comprimé (réglée à la pression max. de 12 bar) avec un tuyau en caoutchouc (à même de supporter la pression) de 6 mm de diamètre intérieur (Fig.iii-1).
- Si l'on veut installer n'importe quel accessoire en option, il faut suivre les instructions de montage jointes.
- Si l'on installe un épurateur d'air, contrôler s'il fonctionne bien.

Contrôle des tuyaux pneumatiques

Pendant la première mise en service, contrôler si les raccords du tuyau pneumatique présentent des fuites.

iv Formation de l'Opérateur

(Cela s'applique seulement si la machine est installée par un technicien de service)

- Expliquer à l'opérateur la façon de mettre en marche et d'arrêter l'unité.

PAGE BLANCHE

FR

309 Exchange Ave.
Conway, AR 72032
Ph: 501-450-1500
Fax: 501-450-2085

Avertissement: Les informations figurant dans le présent document peuvent faire l'objet de modifications sans préavis. **Snap-on** ne fournit aucune garantie concernant le présent document. **Snap-on** décline toute responsabilité concernant les erreurs qu'il pourrait contenir ou les dommages liés aux performances sou à l'utilisation du présent matériel.

Ce document contient des informations exclusives protégées par des droits d'auteur et des brevets. Tous les droits sont réservés. Aucune partie de ce document ne peut être photocopiée, reproduite ou traduite sans le consentement écrit préalable de Snapon Equipment.

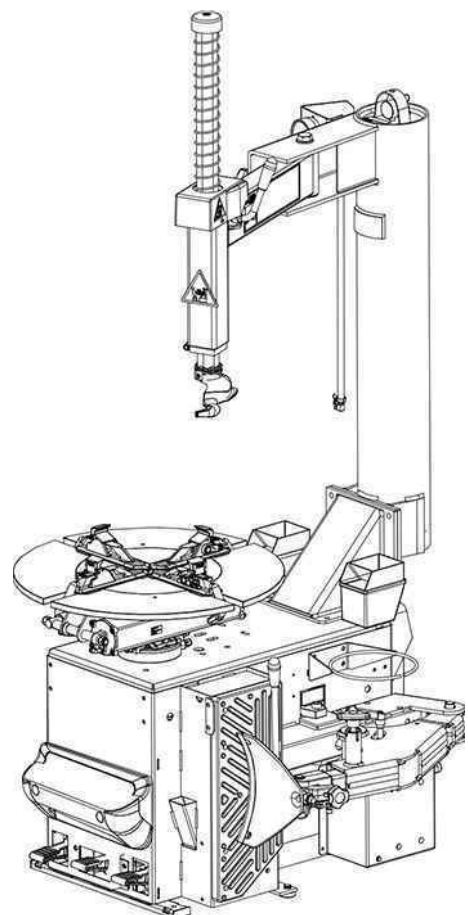
HOFMANN®



monty 1625 *smartSpeed*

Manual de Operador

Desmontador Automático de Neumáticos



FAMILIA	NOMBRE	DESCRIPCIÓN
1625	1625	Tipo básico - 115 V - velocidad única.
	1625 smartSpeed	tipo smartSpeed - 230 V - dos velocidades.

INFORMACIÓN DE SEGURIDAD

Para su seguridad, lea este manual detenidamente antes de accionar la desmontadora de neumáticos

Esta desmontadora de neumáticos debe ser utilizada solo por técnicos del sector automovilístico adecuadamente formados. Los mensajes de seguridad descritos en esta sección y en todo el manual recuerdan al operador que debe prestar la máxima atención durante el uso de estos equipos con los neumáticos.

Existen muchas variantes en cuanto a procedimientos, técnicas, herramientas y componentes para el montaje y desmontaje de los neumáticos, así como las capacidades personales del operador. A causa del elevado número de aplicaciones y usos potenciales de ruedas y neumáticos, el fabricante no puede prever ni garantizar recomendaciones o mensajes de seguridad que cubran cualquier situación. Es responsabilidad del técnico especializado conocer bien las ruedas con las que trabaja.

Es fundamental seguir los métodos de reparación y mantenimiento de manera adecuada y aceptable, evitando cualquier riesgo para la seguridad del operador, de las demás personas en la zona de trabajo y del vehículo mismo.

Se supone que, antes de utilizar la desmontadora de neumáticos, el operador conozca de manera completa las ruedas y los neumáticos que manipula. Además, se supone que conozca adecuadamente el funcionamiento y las características de seguridad del caballete, elevador o gato utilizado, y cuente con las herramientas manuales y eléctricas necesarias para un mantenimiento seguro del vehículo.

Antes de utilizar esta desmontadora de neumáticos, consultar y respetar siempre los mensajes de seguridad y los procedimientos indicados por los fabricantes de los equipos utilizados y del vehículo en cuestión.

 **¡IMPORTANTE! CONSERVAR ESTAS INSTRUCCIONES - ¡NO ELIMINARLAS!**

INSTRUCCIONES DE SEGURIDAD IMPORTANTES

Durante el uso de este equipo, respetar siempre las precauciones de seguridad básicas, que incluyen las siguientes:

1. Leer todas las instrucciones.
2. No poner en marcha un equipo con cable de alimentación dañado o que haya sufrido daños, hasta que un técnico cualificado y autorizado no lo haya examinado.
3. Si resultara necesaria una extensión, usar un cable con capacidad de corriente igual o superior al utilizado para el equipo. Un cable con capacidad inferior podría sobrecalentarse. Prestar atención a colocar el cable de manera que no sea posible tirarlo o tropezar.
4. Desconectar siempre el equipo de la toma de corriente cuando no se utiliza. Para hacerlo, no tirar nunca del cable, sino de la clavija. Agarrar el enchufe y tirar para desconectarlo.
5. Para reducir el riesgo de incendio, no utilizar el equipo cerca de recipientes abiertos de líquidos inflamables (gasolina).
6. Mantener cabello, prendas no ajustadas, dedos y cualquier parte del cuerpo lejos de las partes móviles.
7. Asegurar una ventilación adecuada durante el trabajo con motores de combustión interna.
8. Para reducir el riesgo de electrocución, no utilizar en superficies húmedas ni exponer a la lluvia.
9. No golpear ninguna parte de la máquina, no ha sido diseñada para soportar golpes.
10. No permitir que personal no autorizado utilice el equipo.
11. No desactivar ni eludir los sistemas de seguridad y respetar los procedimientos necesarios.
12. Seguir las instrucciones del presente manual. Utilizar exclusivamente los accesorios recomendados por el fabricante.
13. Bloquear siempre firmemente la llanta antes de activar la rotación.
14. **UTILIZAR SIEMPRE LAS GAFAS DE SEGURIDAD.** Las gafas normales solo tienen lentes resistentes al impacto, pero **NO** son gafas de seguridad.
15. El equipo solo debe utilizarse en lugares cerrados.

CONSERVAR ESTAS INSTRUCCIONES

ÍNDICE

GUÍA DE ACTUALIZACIÓN

Versión A del 04/2021

Primera versión del documento

	Interpretación de las señales de seguridad	Página 6
1.0	Seguridad	Página 8
1.1	Tipografía	Página 10
1.2	Datos de marcación	Página 10
2.0	Especificaciones	Página 11
2.1	Condiciones	Página 11
3.0	Introducción	Página 12
3.1	Accesorios	Página 13
4	Disposición	Página 14
4.1	Mandos	Página 15
5.0	Montaje y desmontaje - precauciones generales	Página 18
5.1	Desmontaje de neumáticos tubeless	Página 19
5.1.1	Remoción neumáticos	Página 20
5.1.1.1	Colocación de la herramienta	Página 20
5.2	Montaje de tubeless en llantas acanaladas	Página 22
5.2.1	Si el talón superior es difícil de montar	Página 23
5.3	Entalonado de los neumáticos	Página 24
5.4	Desmontaje de neumáticos con cámara de aire	Página 26
5.5	Montaje de neumáticos con cámara de aire	Página 26
5.6	Hinchado de neumáticos con cámara de aire	Página 26
5.7	Montaje y desmontaje de neumáticos de Motos	Página 27
6.0	Mantenimiento	Página 28
6.1	Almacenamiento	Página 29
7.0	Resolución de problemas	Página 30
8.0	Eliminación de la unidad	Página 32
8.1	Informaciones de la Eliminación	Página 32
9.0	Anexos	Página 32
	Instrucciones de Instalación	Página 33
i.	Requisitos de Instalación	Página 34
ii.	Transporte – Desembalaje - Transporte	Página 35
iii.	Procedimiento de Instalación	Página 36
iv.	Instrucciones para el operador	Página 37

PÁGINA EN BLANCO

INSTRUCCIONES: Interpretación de las señales de seguridad

¡IMPORTANTE! CONSERVAR ESTAS INSTRUCCIONES



El inflado excesivo o el montaje en llantas de dimensión equivocada puede provocar la explosión del neumático con proyección de residuos.

- Leer y comprender las instrucciones de uso antes de utilizar la desmontadora de neumáticos.
- No montar nunca un neumático en una llanta con diámetro distinto.
- No superar nunca la presión de inflado máxima indicada en el lado del neumático.
- Utilizar siempre el brazo de sujeción de seguridad para mantener la rueda bloqueada durante el inflado.
- Utilizar siempre el tubo específico suministrado para el inflado.

La explosión de un neumático puede causar lesiones graves o incluso la muerte.



Riesgo de descargas eléctricas.

- No poner en marcha un equipo con cable de alimentación dañado o que haya sufrido caídas o daños, hasta que un técnico cualificado no lo haya examinado.
- Si resultara necesaria una extensión, usar un cable con capacidad de corriente igual o superior al utilizado para el equipo. Un cable con capacidad inferior podría sobrecalentarse.
- Desconectar siempre el equipo de la toma de corriente cuando no se utiliza. Para hacerlo, no tirar nunca del cable, sino de la clavija.
- No exponer el equipo a la lluvia. No utilizar en superficies húmedas.
- Conectar el equipo a una toma de corriente adecuada.
- No quitar ni excluir la toma de tierra.

El contacto con el alta tensión puede causar lesiones graves o incluso la muerte.



Riesgo de descargas eléctricas. El equipo funciona con alta tensión.

- El equipo no incluye partes que puedan ser reparadas o mantenidas por el usuario.
- Cualquier operación de mantenimiento y reparación debe ser realizada por personal cualificado.
- No abrir partes del equipo con acceso no autorizado.
- Apagar el equipo y desconectarlo de la alimentación antes de mantenimiento o reparaciones.

El contacto con el alta tensión puede causar lesiones graves o incluso la muerte.



Riesgo de aplastamiento.

- Familiarizarse con todos los mandos antes de utilizar el equipo.
- Mantenerse a distancia del brazo destalonador, cuando está en marcha.
- Si es necesario, suministrar aire al destalonador de manera discontinua, para controlar la profundidad del brazo.
- No permitir que personas ajenas se acerquen al equipo.

El contacto con partes móviles puede provocar lesiones.



Riesgo de atrapamiento o aplastamiento de manos y dedos.

- Mantener manos y dedos alejados del borde de la llanta durante las fases de montaje y desmontaje.
- Mantener manos y dedos alejados de la cabeza de montaje/desmontaje durante el funcionamiento.
- Mantener manos y otras partes del cuerpo alejadas de las superficies móviles.
- No utilizar herramientas distintas de las suministradas con la desmontadora de neumáticos.
- No utilizar accesorios no aprobados.
- No eludir ningún dispositivo de seguridad.
- Utilizar un lubricante apropiado para evitar el roce del neumático.

El contacto con partes móviles puede provocar lesiones.



Riesgo de lesiones oculares. De los neumáticos pueden caer residuos, suciedad y líquidos.

- Eliminar cualquier residuo de la banda de rodadura y de las superficies del neumático.
- Eliminar cualquier exceso de lubricante antes del inflado.
- Quitar los residuos sueltos. Si es necesario, limpiar las superficies para evitar la caída de material.
- Utilizar gafas de seguridad adecuadas durante las fases de montaje y desmontaje.

La proyección de residuos, suciedad y líquidos puede provocar lesiones oculares graves.



Riesgo de lesiones. En caso de uso o mantenimiento incorrecto, las herramientas pueden romperse o resbalar.

- Utilizar la herramienta correcta para la tarea que se realiza.
- Inspeccionar, limpiar y lubricar (si procede) frecuentemente todas las herramientas.
- Para llevar a cabo las operaciones de mantenimiento y reparación, seguir los procedimientos recomendados.

La rotura o el resbalamiento de las herramientas puede causar lesiones.



Peligro de golpe y arrastre:

- no hacer girar el plato autocentrante sin rueda montada
- no acercarse a la brida en movimiento
- prestar atención a las garras cuando salen de la brida
- no colocar objetos salientes en la brida
- no colocar objetos salientes cerca de la brida

El contacto con partes en movimiento podría causar lesiones

⚠ DANGER

Neumáticos y llantas de diámetros distintos son incompatibles y no se pueden combinar.

- **No intentar NUNCA montar o inflar un neumático con una llanta incompatible.**
- **Comprobar SIEMPRE que el diámetro del neumático coincida con el de la llanta.**

Un neumático con una llanta incompatible puede explotar causando lesiones personales graves o incluso la muerte

⚠ WARNING

Los neumáticos demasiado presurizados pueden explotar proyectando residuos.

- **Leer y entender el contenido del Manual del operador antes del uso.**
- **Mantener las personas ajenas lejos del área de trabajo.**
- **Utilizar SIEMPRE las gafas de seguridad.**
- **Comprobar SIEMPRE que el diámetro del neumático coincida con el de la llanta.**
- **No intentar NUNCA montar o inflar un neumático con una llanta de diámetro distinto.**
- **Inspeccionar los neumáticos y no inflarlos NUNCA si están dañados, desgastados o deteriorados.**
- **No inflar NUNCA llantas "de dos piezas" en esta desmontadora, quitarlas y utilizar exclusivamente una jaula de inflado de seguridad diseñada y aprobada para este fin.**
- **Antes de intentar inflar el neumático, bloquear la garra del plato autocentrante en la parte interior de la llanta.**
- **Aplicar lubricante específico para talones antes de quitar o instalar el neumático en la llanta.**
- **Posicionar SIEMPRE el "brazo de sujeción de seguridad" encima de la rueda, para bloquearla en el plato autocentrante durante el inflado.**
- **Si un neumático explotara en la desmontadora, INTERRUMPIR el uso del equipo y sustituir el "brazo de sujeción de seguridad", aunque no se noten daños visibles.**
- **No colocar NUNCA la cabeza o el cuerpo encima de un neumático durante su inflado.**
- **Suministrar aire en intervalos cortos para que los talones se introduzcan en su alojamiento, controlar a menudo la presión del neumático.**
- **No superar NUNCA los límites de presión indicados por el fabricante del neumático.**
- **No intentar NUNCA eludir o manipular el limitador de presión integrado. Inflar el neumático exclusivamente con el tubo flexible suministrado con la desmontadora. No utilizar NUNCA tubos presentes en el taller para el inflado.**
- **La desmontadora de neumáticos, si está equipada con un "brazo de sujeción de seguridad", debe anclarse al suelo.**

La explosión de un neumático puede causar lesiones graves.

1.0 Seguridad

Todos los operadores deberán comprender las precauciones de seguridad y respetarlas.

EL OPERADOR DEBE ENCONTRARSE CERCA DE LA MÁQUINA, EN UNA POSICIÓN DE TRABAJO CORRECTA; LADO UNIDAD DE MANDO (A).

SÓLO EL OPERADOR PUEDE OCUPAR LA ZONA DE TRABAJO.

EL USO DE LA MÁQUINA ESTÁ PERMITIDO SÓLO AL PERSONAL EXPRESAMENTE ADIESTRADO POR EL REVENDEDOR AUTORIZADO.

TODAYCUALQUIERMANIPULACIÓN O MODIFICACIÓN DE LA MÁQUINA O DE LAS PIEZAS QUE LA COMPONEN NO AUTORIZADAS PREVIAMENTE POR EL FABRICANTE, NO RESPONSABILIZAN AL MISMO POR LOS DAÑOS DERIVADOS DE LOS ACTOS CITADOS O REFERIDOS A LOS MISMOS.

EL USO DE LA MÁQUINA ESTÁ PERMITIDO SOLAMENTE EN LUGARES LIBRES DE PELIGROS DE EXPLOSIÓN O INCENDIO.

TODA VEZ QUE SE QUITEN O MANIPULEN LOS DISPOSITIVOS DE SEGURIDAD O LAS ADVERTENCIAS COLOCADAS EN LA MÁQUINA SE VIOLAN LAS NORMAS DE SEGURIDAD.

LA INSTALACIÓN TIENE QUE SER EFECTUADA POR PERSONAL CALIFICADO EN EL TOTAL RESPETO DE LAS INSTRUCCIONES DADAS EN ESTE MANUAL.

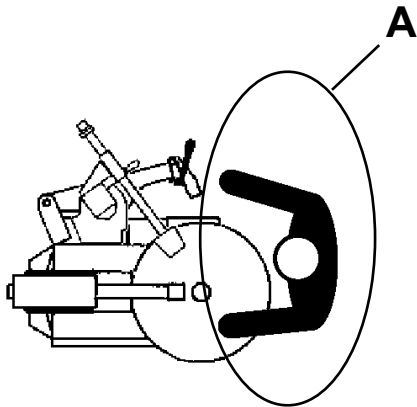
ESTA MÁQUINA HA SIDO PROYECTADA PARA EL USO EXCLUSIVO DE ACCESORIOS Y REPUESTOS ORIGINALES.

CONTROLAR QUE DURANTE LAS MANIOBRAS DE TRABAJO NO EXISTAN SITUACIONES DE PELIGRO. EN EL CASO DE QUE ASÍ FUERA PARAR INMEDIATAMENTE LA MÁQUINA.

SI SE INDIVIDUALIZARAN IRREGULARIDADES DE FUNCIONAMIENTO, INTERRUMPIR LAS OPERACIONES Y LLAMAR AL SERVICIO DE ASISTENCIA DEL REVENDEDOR AUTORIZADO.

DURANTE EL USO Y EL MANTENIMIENTO DE LA MÁQUINA ES ABSOLUTAMENTE OBLIGATORIO RESPETAR TODAS LAS LEYES Y LAS NORMAS PARA LA PREVENCIÓN DE ACCIDENTES.

LA INSTALACIÓN ELÉCTRICA DEBE CONSTAR DE UN CABLE DE TIERRA. EL CABLE DE TIERRA DE LA MÁQUINA (AMARILLO/VERDE) DEBE ESTAR CONECTADO CON EL CABLE DE TIERRA DE LA INSTALACIÓN DE SUMINISTRO ELÉCTRICO.





ANTES DE REALIZAR CUALQUIER OPERACIÓN DE MANTENIMIENTO O REPARACIÓN HAY QUE DESCONECTAR LA MÁQUINA DE LA RED DE SUMINISTRO ELÉCTRICO Y DE LA LINEA DE AIRE COMPRIMIDO..

NO USAR NUNCA CORBATAS, CADENAS U OTROS ACCESORIOS SEMEJANTES AL REALIZAR OPERACIONES DE USO, MANTENIMIENTO O REPARACIÓN DE LA MÁQUINA. INCLUSO EL CABELLO LARGO PUEDE SER PELIGROSO Y POR TANTO DEBEN SER RECOGIDOS CON UNA GORRA.

EL USUARIO DEBE UTILIZAR DISPOSITIVOS DE PROTECCIÓN INDIVIDUAL COMO GUANTES, CALZADO DE SEGURIDAD Y GAFAS.

MANTENER LOS CABLES ELÉCTRICOS EN BUEN ESTADO.

MANTENER LIMPIA LA ZONA DE TRABAJO. LOS AMBIENTES DESORDENADOS FAVORECEN LOS ACCIDENTES.

EVITAR SITUACIONES PELIGROSAS. NO USAR HERRAMIENTAS NEUMÁTICAS O ELÉCTRICAS EN LUGARES HÚMEDOS Y RESBALOSOS NI EXPONERLAS A LA INTEMPERIE.

MANTENER LA ZONA DE TRABAJO BIEN ILUMINADA.

TODAS LAS OPERACIONES EN LA INSTALACIÓN ELÉCTRICA TIENEN QUE SER EFECTUADAS POR PERSONAL PROFESIONALMENTE EXPERTO.

TODAS LAS REPARACIONES DEBEN SER EFECTUADAS POR TÉCNICOS AUTORIZADOS.

DISPOSITIVOS DE SEGURIDAD

Llevar protecciones de material plástico para evitar riesgos de aplastamiento o compresión.

Llevar también un regulador de la presión de hinchado para evitar riesgos derivados del exceso de presión de hinchado del neumático

MANTENER Y LOS DISPOSITIVOS DE SEGURIDAD ACTIVOS Y EN BUEN FUNCIONAMIENTO.

1.1 Tipografía

Este manual contiene estilos de texto para llamar su atención especial:

Nota: Sugerencia o explicación.

PRECAUCIÓN: SIGNIFICA QUE LA ACCIÓN SIGUIENTE PUEDE CAUSAR DAÑO A LA UNIDAD U OBJETOS ACOPLADOS.

AVISO: SIGNIFICA QUE LA ACCIÓN SIGUIENTE PUEDE CAUSAR LESIONES (GRAVES) AL OPERADOR U OTRAS PERSONAS.

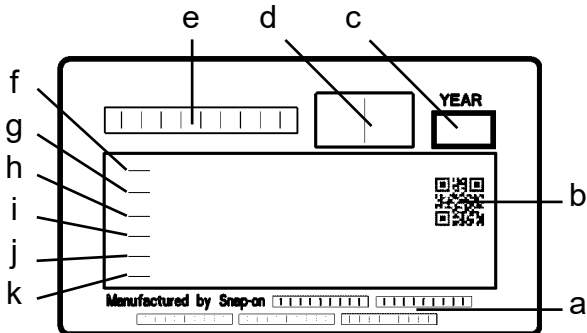
- Lista de viñetas:
- Indica que la acción debe ser realizada por el operador antes de poder dar el paso siguiente.

La línea de puntos alrededor del número de la figura indica que se trata de un duplicado proveniente de una sección anterior.

0.0-0

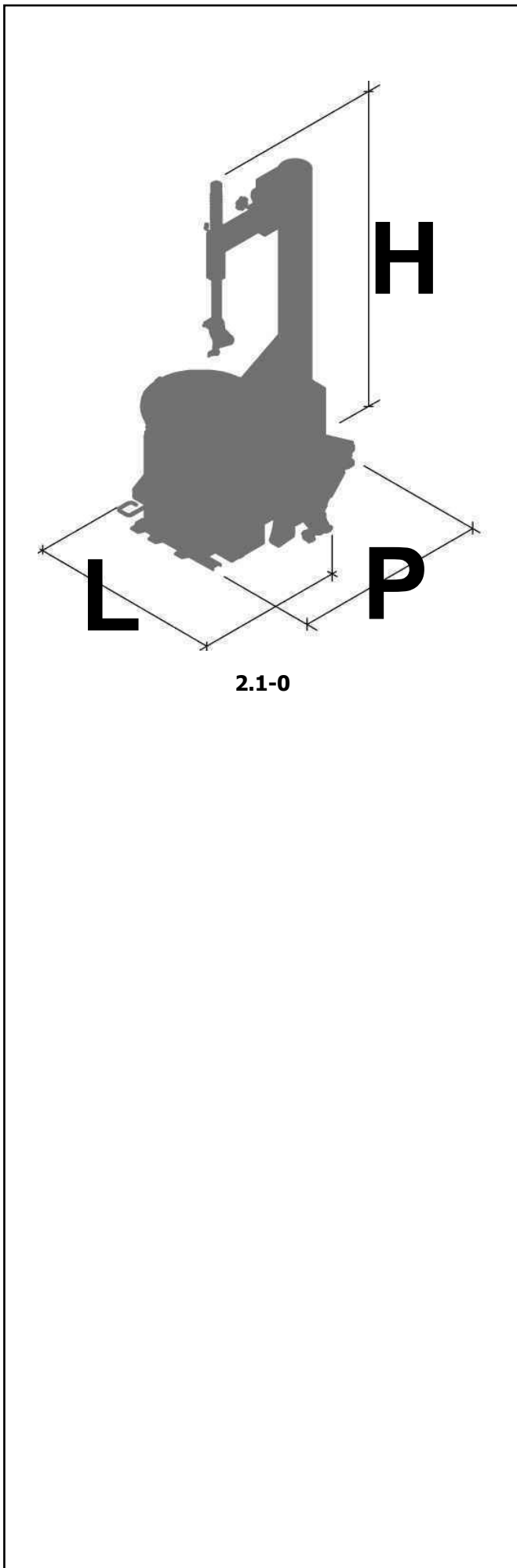
1.2 Datos de marcación

Aplicado al desmontador de neumáticos hay una plaqueta de marca que contiene los siguientes datos **Fig. 1.1-0**



1.1-0

- a Nombre del fabricante y respectiva dirección
- b Código QR
- c Año de fabricación
- d Marca de conformidad
- e Marca
- f Modelo
- g Número de matrícula
- h Peso neto
- i Especificaciones eléctricas (voltios, ph, Hz, kW, A)
- j Presión aire (cuando está presente)
- k Nivel de ruido



2.0 Especificaciones

Desmontadora de neumáticos electro-neumática para automóviles, furgones y motos con neumáticos montados en llantas acanaladas.

Peso 512 lbs (233 Kg)
Presión aire psi 110-170 (8-12 bar)
Fuerza destalonador lbs 3400 (15,12 kN)

Especificaciones Eléctricas 1 velocidad:
115 VAC, 60 Hz, 1 PH, 12A

Motor monofásico kW 0.75 (hp 1)
Par máximo lbf-ft 738 (N·m 1000)
Velocidad de rotación del centrador: 7 rpm

Especificaciones Eléctricas 2 velocidad:
230 VAC, 50/60 Hz, 1 PH, 16A

Motor monofásico kW 0.75 (hp 1)
Par máximo lbf-ft 738 (N·m 1000)
Velocidad de rotación del centrador: 7-18 rpm

Diám. máx. rueda 50" (mm 1270)
Anchura máx. rueda 15" (mm 380)

Bloqueo desde el exterior 10"-24"
Bloqueo desde el interior 12"-24"
Bloqueo con adaptadores moto (*) 12"-26"
Bloqueo con adaptadores ATV (*) 8"-23"
Extensiones para el coche (*) 17"-28"

Presión acústica 70dBA
Presión acústica - hichador de Tubeless 120dBA

Dimensiones en los milímetros **Fig. 2.1-0**

L - Anchura min.-máx. 39"3/4-53"1/8 (mm 1010-1350)
P - Profundidad 43"1/4-47"1/4 (mm 1100-1200)
H - Altura min.-máx. 68"-82" (mm 1730-2080)

2.1 Condiciones

Durante su uso o almacenamiento prolongado, jamás se deberán sobrepasar las condiciones:

Nivel de Temperatura 0-50 °C
Nivel de Humedad 10-90 %
 no condensado

(*) opcional

3.0 Introducción

Felicitaciones por haber comprado el desmontador de neumáticos **Hofmann**

Construido para el empleo de profesionales que trabajan intensamente, este desmontador de ruedas es de uso sencillo, seguro y fiable.

Con un mínimo de mantenimiento y de cuidado, este desmontador de neumáticos le durará muchos años de trabajo proficuo y sin inconvenientes.

Las instrucciones sobre el uso, mantenimiento y modo de empleo se describen en el presente manual.

CONSERVAR CON CUIDADO ESTE MANUAL PARA CUALQUIER OTRA CONSULTA.

LEER ATENTAMENTE ESTE MANUAL ANTES DE UTILIZAR LA MÁQUINA.

Empleo.

El desmontador de neumáticos está destinado a ser utilizado como dispositivo para el montaje automático, el desmontaje automático y el entalonado de neumáticos para vehículos automotores y motocicletas montados en llantas acanaladas con las siguientes características:

Diámetro máximo : 50" (mm 1270)
Anchura máxima : 14" (355 mm)

Este aparato tiene que ser utilizado de acuerdo con el destino para el cual ha sido expresamente concebido. Cualquier otro empleo se considera impropio y por lo tanto no razonable. Por tanto el fabricante no puede ser considerado responsable por posibles daños causados por usos inadecuados, erróneos o no razonables.

Manuales relativos a la unidad.

- Manual de inicio rápido
EAZ0090G03A
- Tabla de Repuestos
TEEWH7XXA3 - Manual de Reparaciones
Manual para uso del personal técnico solamente.
- Manual de Operador
ZEEWH7XXA06 (Capítulo 1 – 9)
El operador debe familiarizarse con él.
- Accessory Plan
Plan de accesorios accesible en la web:
<http://service.snapon-equipment.net/>

Instrucciones para la Instalación.

Las instrucciones para la instalación se hallan en el Cap. 9 Anexos

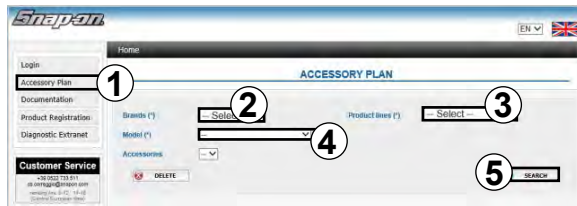
DECLARACIÓN CE

(El original se encuentra en tabla de repuestos)

3.1 Accesorios

La máquina dispone de una serie de accesorios. Todos los accesorios están enumerados en el sitio web: <http://service.snapon-equipment.net/>

Después de acceder a la página web, realizar las siguientes operaciones:



3.1-0

Fig. 3.1-0

- Seleccionar Accessory Plan (1).
- Seleccionar la Marca de referencia en el campo **Brands** (2).
- Seleccionar el Tipo producto "Tyre changers" en el campo **Product lines** (3).
- Abrir el campo **Model** (4) y seleccionar el propio modelo de máquina entre los de la lista.
- Introducir "**SEARCH**" (5) para visualizar la lista de los accesorios disponibles.

NOTA: Utilizar los códigos de la lista para realizar los pedidos de compra.

4.0 Disposición

Consultar Figura 4.1-0.

Descripción funcional de la unidad:

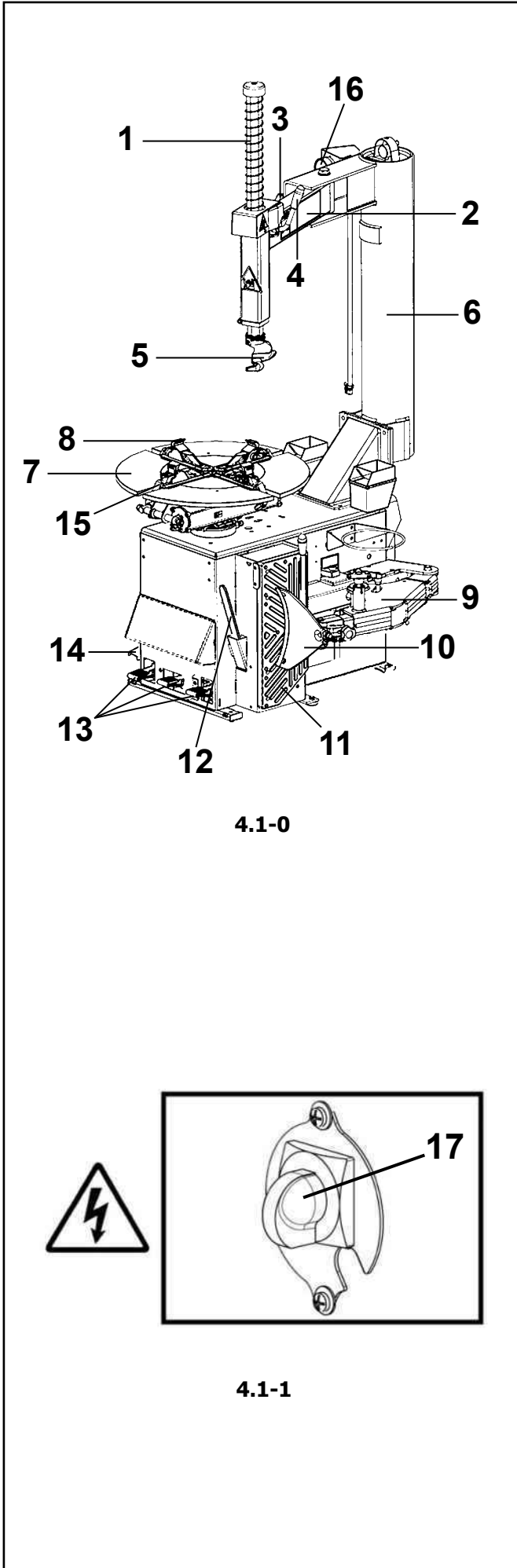
1. Barra vertical
2. Brazo oscilante
3. Manivela de regulación
4. Palanca de bloqueo
5. Herramienta
6. Columna
7. Autocentrante
8. Garra
9. Brazo destalonador
10. Paleta destalonadora
11. Soportes destalonadores
12. Palanca para levantar el talón
13. Pedales
14. Pedal de inflado
15. Boquillas
16. Manómetro de hinchado

4.1-0

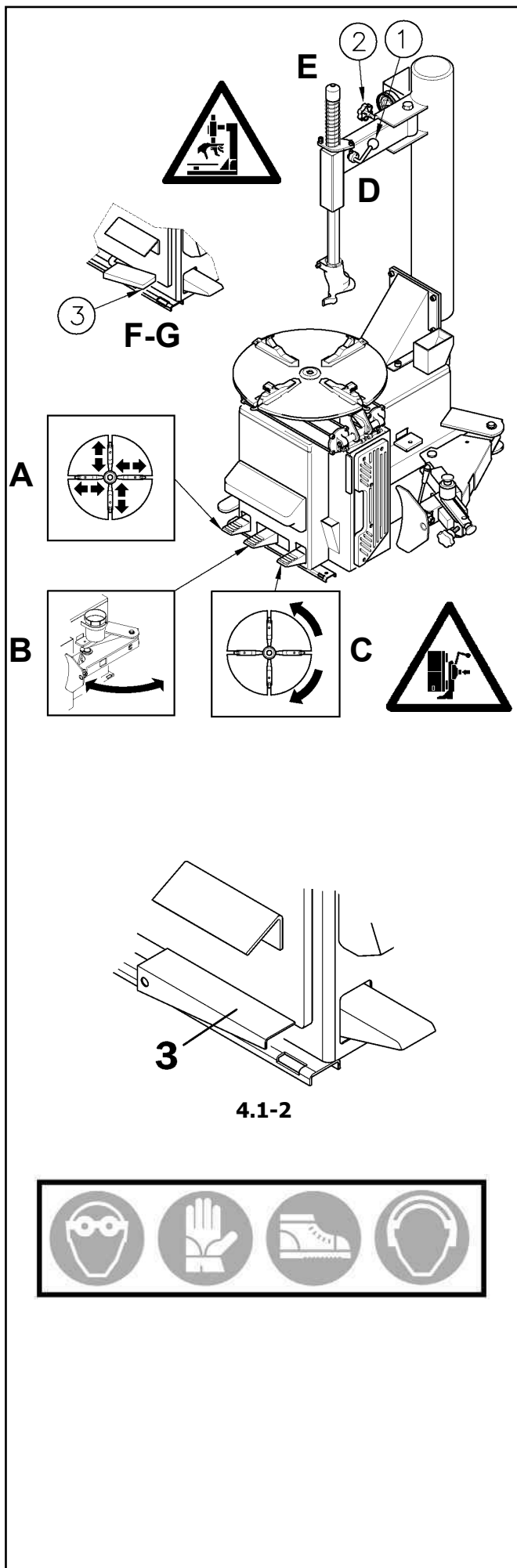
Consultar **Figura 4.1-1** (Solo 230V)

17. Encendido y apagado
 Cuando la unidad no tiene un interruptor para encender o apagar la máquina, desconecte y vuelva a conectar el enchufe de alimentación.

ATENCIÓN: SE RECOMIENDA APAGAR LA UNIDAD AL TERMINAR LA JORNADA DE TRABAJO.



4.1-1



4.1-2

4.1 Mandos

Antes de hacer funcionar la máquina, tómese el tiempo necesario para familiarizarse con el funcionamiento y la funciones de cada mando (Fig. 4.1-2).

A.

- Pise el pedal izquierdo hasta el final del recorrido y después suéltelo: las garras del autocentrador se retraerán. Hágalo de nuevo: se abrirán las garras. Si no aprieta el pedal hasta el fondo las garras pueden pararse en cualquier posición.

B.

- Abra el brazo destalonador. Pise y mantenga presionado el pedal central: con esta operación activará la pala destalonadora y el brazo se moverá hacia la máquina. Suelte el pedal: el cilindro destalonador volverá a su posición original.

¡ADVERTENCIA!

¡CUIDADO CON LOS DEDOS Y LAS PIERNAS!

C.

- Pise y mantenga presionado el primer pedal de la derecha: el autocentrador girará en sentido horario. Suelte el pedal y el autocentrador girará en dirección antihoraria.

D.

- Baje el asa de bloqueo (1, Fig. 4.1-2) para desbloquear el eje vertical, levante el asa para bloquearlo.

E.

- Gire la manivela de regulación (2, Fig. 4.1-2) para colocar el cabezal de montaje/desmontaje en función del diámetro.

F.

- Pise el pedal de inflado (3, Fig. 4.1-2) que se encuentra en el lado izquierdo de la máquina hasta mitad del recorrido: saldrá aire por el extremo de la manguera de hinchado.

Si se trabaja sin tubos

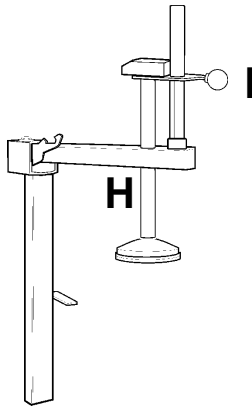
G.

- Pise el pedal de inflado (3) hasta el final de su recorrido para conseguir que salga un chorro de aire por las boquillas del hinchador hacia las garras. El aire sale simultáneamente por la manguera del hinchador.

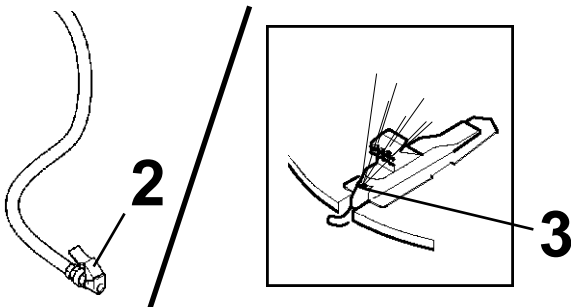
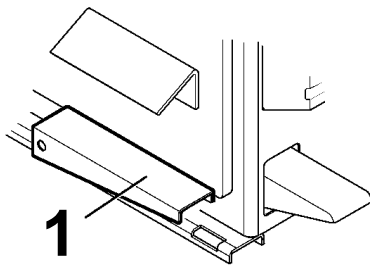
PARA TRABAJAR CON EL DESTALONADOR Y EL HINCHADOR ES OBLIGATORIO UTILIZAR PROTECTORES PARA LOS OÍDOS Y GAFAS DE SEGURIDAD, CON EL FIN DE EVITAR LA CONTAMINACIÓN ACÚSTICA, EL POLVO Y LAS VIRUTAS QUEMADAS QUE VUELAN EMPUJADAS POR LOS CHORROS DE AIRE.

PELIGRO DE EXPLOSIÓN DEL NEUMÁTICO.

SRA



4.1-3



4.1-4



4.1-5

Con SRA instalado.

H.

- El brazo de control de oscila hacia el centro del autocentrador (Fig. 4.1-3).

I.

- Empuje hacia arriba el pomo de posicionamiento para colocarlo encima del grupo neumático/rueda para el hinchado, al mismo tiempo empuje el brazo de antirrotación para liberar el bloqueo. Ahora puede oscilar el brazo de seguridad para colocarlo en el centro de la rueda. Baje la seguridad hasta que el soporte de goma en el disco de seguridad se apoye sobre el centro de la llanta. El SRA es un bloqueo de gravedad que se bloquea automáticamente cuando se eleva cualquier fuerza que no sea el pomo de posicionamiento de seguridad. Ahora está preparado para el proceso de hinchado.

NOTA: el suministro de aire no funcionará hasta que el brazo de seguridad esté centrado en el autocentrador.

Sólo para el modelo Tubeless:

F1. Apretar hasta la mitad el pedal de hinchado (1, Fig. 4.1-4): del extremo del tubo de hinchado sale aire (2, Fig. 4.1-4).

F2. Apretar el pedal del inflador (1, Fig. 4.1-4) hasta el fondo para accionar los chorros de aire del extremo de las boquillas (3, Fig.4.1-4).

Nota: Contemporáneamente seguirá saliendo aire por el tubo (2, Fig. 4.1-4) conectado a la rueda.

ATENCIÓN: TRASELANTONADO, DETENER INMEDIATAMENTE LA EMISIÓN DEL AIRE.

(Fig. 4.1-5)

DURANTE EL ACCIONAMIENTO DEL DISPOSITIVO DE ENTALONADO ES OBLIGATORIO EL USO DE PROTECCIONES AUDITIVAS Y GAFAS DE PROTECCIÓN PARA EVITAR LA CONTAMINACIÓN POR POLVOS E IMPUREZAS LEVANTADAS POR LOS JETS DEL AIRE.

PELIGRO DE EXPLOSIÓN DEL NEUMÁTICO

Preajuste de las garras de bloqueo:

Nota: puede modificarse la capacidad del autocentrador antes de accionar el pedal.

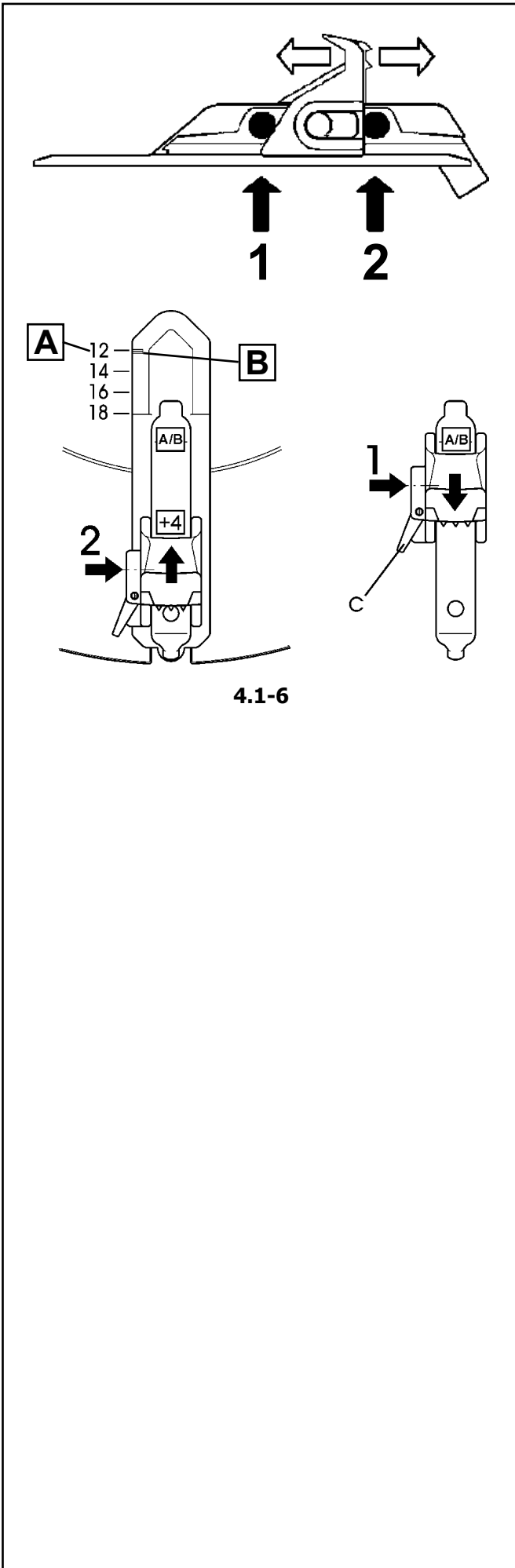
Las garras del autocentrador pueden colocarse manualmente en tres posiciones diferentes (Fig. 4.1-6). Presionar la palanca (C) por el lado izquierdo de cada garra y desplazarlas todas del mismo modo (0/+2"/4").

MUY IMPORTANTE: HACER UNA CORRECTA INSERCIÓN DE PIN

¡ATENCIÓN! COMPRUEBE QUE LAS CUATRO QUIJADAS DE BLOQUEO ESTÉN MONTADAS EN LA MISMA POSICIÓN (FIG. 4.1-6, POS. 1 O POS. 2). ¡DE LO CONTRARIO, LA LLANTA PUEDE AFLOJARSE Y CAUSAR LESIONES!

Los diámetros de la llanta se indican en pulgadas sobre el dispositivo de autocentrado (Fig. 4.1-6, Pos. A). La introducción del diámetro (la marca sobre la quijada (Pos. B) debe coincidir con la marca del autocentrado) depende de la posición 1 o 2 de la quijada de montaje.

- En la Posición 1 de las quijadas el diámetro está preconfigurado directamente (Fig. 4.1-6, Pos. 1).
- En la Posición 2 de las quijadas (Fig. 4.1-6, Pos. 2) se deben añadir 4" al diámetro (A-B).



4.1-6

5.0 Montaje y desmontaje - precauciones generales



ATENCIÓN:

ANTES DE MONTAR EL NEUMÁTICO EN UNA LLANTA RESPECTAR LAS SIGUIENTES INDICACIONES:

A- LA LLANTA DEBE ESTAR LIMPIA Y EN BUEN ESTADO: SI FUERA NECESARIO LIMPIARLA DESPUÉS DE HABER QUITADO TODOS LOS CONTRAPESOS, COMPRENDIDOS LOS PESOS ADHESIVOS QUE SE HUBIERAN APLICADO DENTRO DE LA LLANTA.

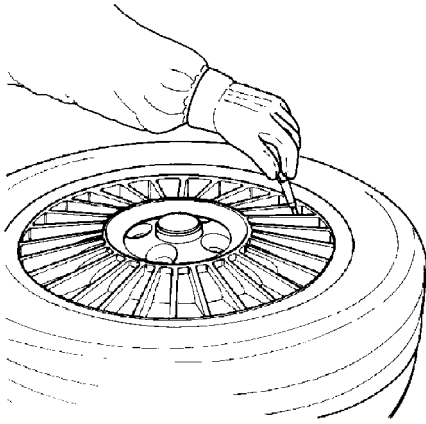
B- EL NEUMÁTICO TIENE QUE ESTAR LIMPIO Y SECO Y TANTO EL TALÓN COMO LA RUEDA TIENEN QUE ESTAR EN PERFECTO ESTADO.

C- SUSTITUIR LA VALVULA DE GOMA CON OTRA NUEVA O SOSTITUIR LA JUNTA TORICA SI LA VALVULA FUERA METALICA.

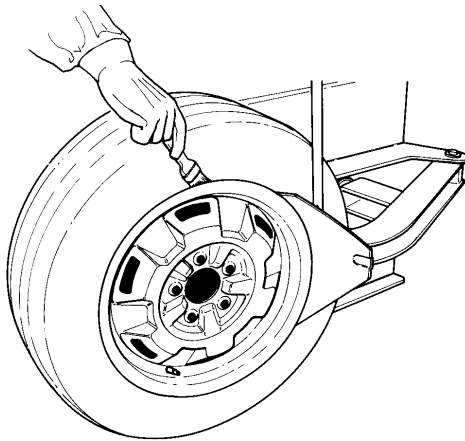
D- SI LA RUEDA LLEVA CAMARA DE AIRE FIJARSE QUE ESTE SECA Y EN BUENAS CONDICIONES.

E- LA LUBRIFICACIÓN ES NECESARIA PARA MONTAR CORRECTAMENTE EL NEUMÁTICO Y OBTENER UN CORRECTO CENTRADO DE LA CUBIERTA. UTILIZAR SOLAMENTE UN LUBRICANTE ESPECIFICO PARA NEUMÁTICOS.

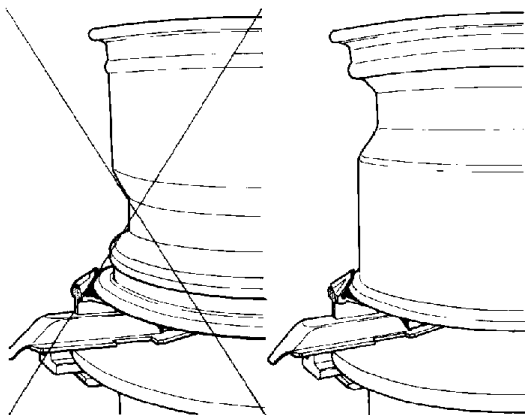
F- FIJARSE BIEN QUE EL NEUMÁTICO SE ENCUENTRE EN LA DIMENSIÓN CORRECTA PARA LA LLANTA.



5.1-1



5.1-2



5.1-3

5.1 Desmontaje de neumáticos tubeless

- Quitar todos los contrapesos de los bordes de la llanta. Quitar la válvula y desinflar la rueda (Fig. 5.1-1).
- Destalonar el lado exterior comenzando desde una posición diametralmente opuesta a la válvula. Lubricar el talón y la llanta con un lubricante específico. Destalonar el talón interior. Tener cuidado de no mantener el pedal apretado más de lo necesario. Ello puede determinar un daño inmediato al talón. Lubricar abundantemente el talón y la llanta (Fig. 5.1-2).

ATENCIÓN:

PARA TIPO DE RUEDA RUN FLAT CON EL SENSOR DE BAJA PRESION, DESTALONAR EL LADO EXTERIOR COMENZANDO DESDE UNA POSICIÓN DIAMETRALMENTE OPUESTA A LA VÁLVULA. NO HAY OTROS PUNTOS EN ESTE DE DESMONTAR, PARA EVITAR DAÑOS A LA RUEDA.

Bloqueo de la Llanta

- Poner en posición las garras: garras cerradas para bloquear la rueda desde el interior y garras abiertas para bloquear desde el exterior. Cuando se bloquean desde el exterior ruedas de diámetro pequeño (14" o menos), colocar las garras a un diámetro próximo del diámetro de la llanta antes de poner en posición la rueda en el autocentrante. Ello evita el riesgo de pellizcar la cubierta.

ATENCIÓN:

BLOQUEAR LAS LLANTAS DE ALEACIÓN DESDE EL EXTERIOR PARA EVITAR QUE SE DAÑEN.

- Lubricar abundantemente el talón y la llanta.
- Poner la rueda en el autocentrante **CON EL CANAL DE LA LLANTA HACIA ARRIBA** (Fig. 5.1-3) y bloquearla.

5.1.1 Remoción neumáticos

ANTES DE EXTRAER EL NEUMÁTICO, ASEGÚRESE DE QUE AMBOS TALONES HAYAN SIDO COMPLETAMENTE DESTALONADOS.

5.1.1.1 Colocación de la herramienta

Procedimiento:

- Poner la herramienta en contacto con el borde de la llanta y bloquearla: la herramienta se aleja automáticamente del borde de la llanta en sentido vertical. Girar la manivela de regulación hasta que la herramienta se aleje radialmente del borde de la llanta unos 1/25" (1 mm): esto es necesario para evitar daños a la llanta (Fig. 5.1-4).

Nota: una vez que la herramienta de montaje/desmontaje ha sido ubicada correctamente, las ruedas iguales pueden ser desmontadas sin tener que regular de nuevo la herramienta.

Nota: el encaje de plástico dentro de la herramienta de montaje/desmontaje tiene que ser sustituido periódicamente. Cada máquina lleva algunas piezas de recambio (en la caja de accesorios). Si se desea, el encaje de plástico puede ser sustituido por un rodillo de acero incluido en la caja de los accesorios. Seguir las instrucciones adjuntas a los repuestos.

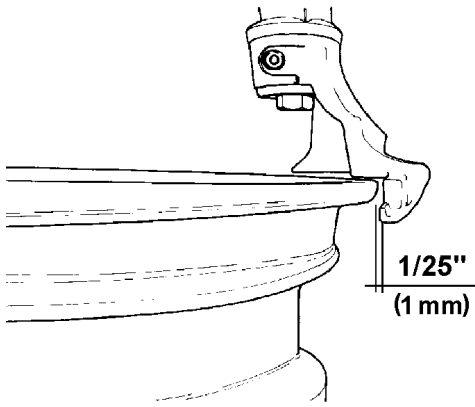
Regulación angular del utensilio

El utensilio se regula en origen con un ángulo óptimo para la mayor parte de las ruedas actualmente en uso. En cualquier caso, se puede optimizar el ángulo para ruedas con un diámetro sensiblemente diferente de la media.

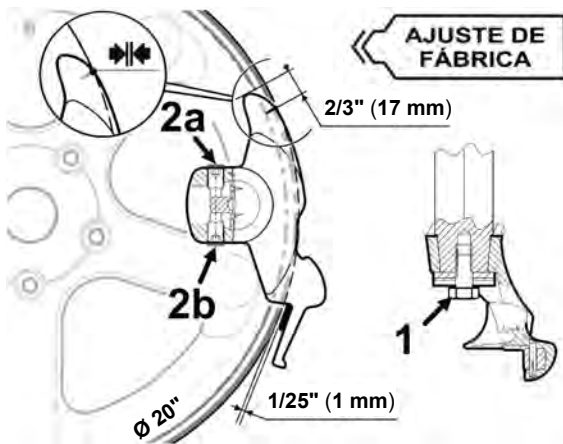
Para regular el ángulo del utensilio, seguir estos pasos:

1. Montar la llanta para el cual se desea optimizar la operatividad.
2. Aflojar el tornillo inferior (1, Fig. 5.1-5).
3. Regular el utensilio usando los tornillos mostrados (2a y 2b, Fig. 5.1-5). Desenroscar el tornillo (2a o 2b, Fig. 5.1-5) para girar el utensilio respectivamente en sentido horario o antihorario.
4. Enroscar el tornillo opuesto para bloquear el utensilio en la posición angular deseada.
5. Apretar el tornillo inferior (1, Fig. 5.1-5) con un par de 35 Nm.

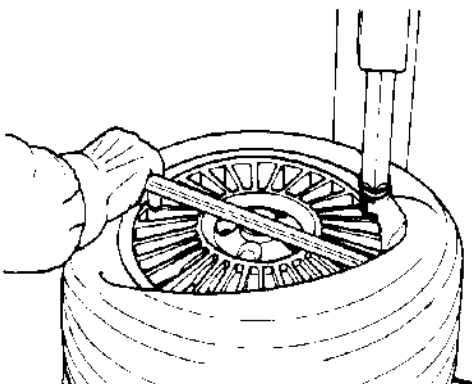
- Introducir la palanca que levanta la cubierta debajo del talón y encima del soporte de la herramienta. Levantar el talón sobre la lengüeta de montaje. Para facilitar la operación apretar con la mano izquierda en el costado del neumático, en la posición diametralmente opuesta a la de la herramienta. Si se desea se puede quitar la palanca que levanta la cubierta después de haber levantado el talón sobre la lengüeta de montaje (Fig. 5.1-6).



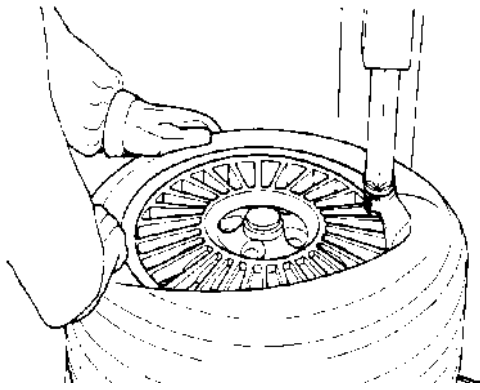
5.1.4



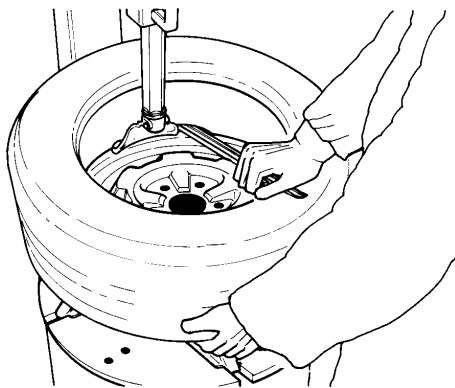
5.1.5



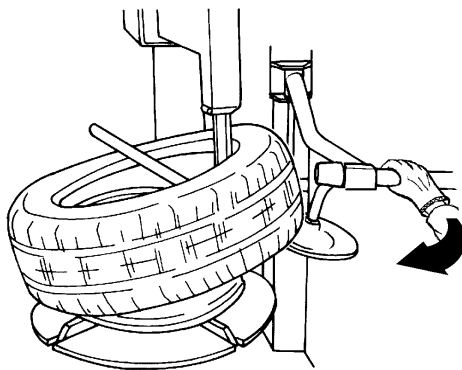
5.1.6



5.1.7



5.1.8



5.1-9

- Hacer girar el autocentrador en dirección horaria y simultaneamente apretar en el costado del neumático para mantener el talón en el canal (Fig. 5.1-7).

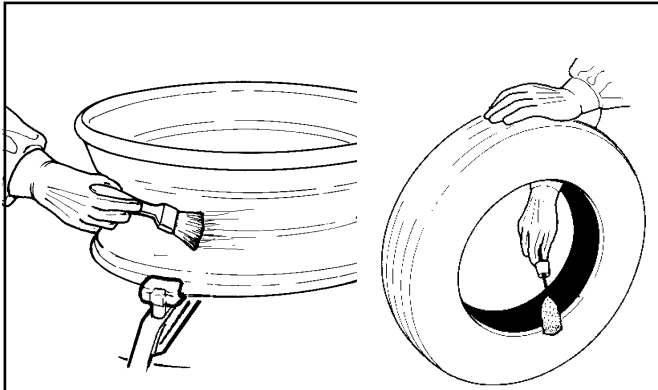
- Desmontar el segundo talón efectuando las mismas operaciones. Con la mano izquierda levantar el neumático en la posición diametralmente opuesta a la de la herramienta para mantener el talón en el canal (Fig. 5.1-8). Desplazar el brazo oscilante lateralmente y sacar el neumático.

Para neumáticos de sección rebajada es útil usar la grapa de montaje 'MH 310 PRO' (accesorio) (Fig. 5.1-9).

- Ponga el disco inferior cerca del borde de la llanta inferior.
- Mantenga firmemente la empuñadura del disco, accione la subida del dispositivo y al mismo tiempo accione el autocentrador (Fig. 5.1-9).

5.2 Montaje de neumáticos tubeless en llantas acanaladas

- Lubricar toda la superficie de la llanta. Lubricar los dos talones del neumático, dentro y fuera, con un lubricante para neumáticos (Fig. 5.2-1).

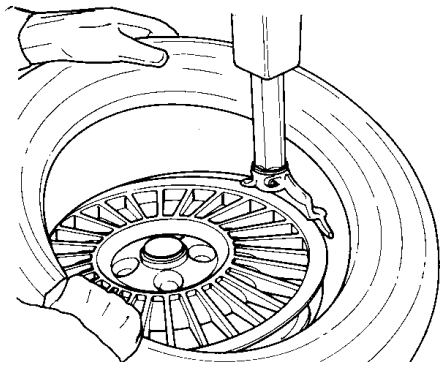


5.2-1

SI FUERA NECESARIO RESPETAR LA DIRECCION DE ROTACION DEL NEUMATICO. ALGUNOS NEUMATICOS TIENEN UN PUNTO DE COLOR QUE TIENE QUE QUEDAR EN EL LADO EXTERIOR DE LA RUEDA.

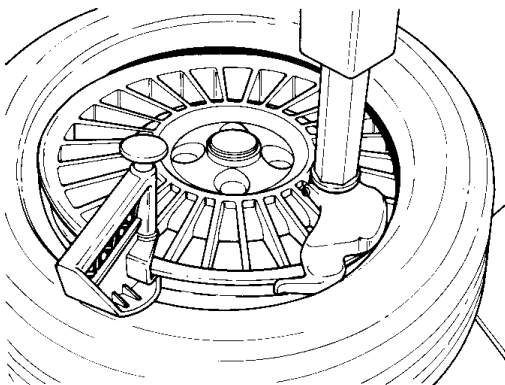
UNA LUBRIFICACION ABUNDANTE ES NECESARIA PARA MONTAR EL NEUMATICO CORRECTAMENTE Y PARA OBTENER UN CORRECTO CENTRADO SOBRE LA LLANTA. USAR SOLO LUBRIFICANTES ESPECIFICOS PARA NEUMATICOS.

- Bloquear la llanta en el autocentrador y hacerlo girar hasta que la válvula se encuentre a las 5 hs. Apoyar el neumático en la llanta. Acercar el brazo oscilante y poner la herramienta en posición de trabajo. Colocar el talón inferior ENCIMA de la aleta de montaje y DEBAJO de la lengüeta de la herramienta. Hacer girar el autocentrador en dirección horaria y empujar el talón en el canal en posición diametralmente opuesta a la herramienta (Fig. 5.2-2).



5.2-2

- Montar el segundo talón de la misma manera. Para neumáticos de sección rebajada es útil usar la grapa de montaje MX (a pedido #EAA0247G70A) (Fig. 5.2-3) o el MH 310 PRO.



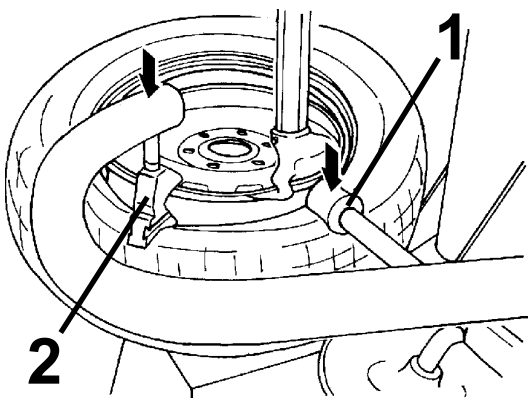
5.2-3

NOTA: PARA NEUMÁTICOS BAJOS, NEUMÁTICOS *RUN FLAT* O MUY RÍGIDOS, SE RECOMIENDA UTILIZAR EL ACCESORIO MH 310 PRO (Fig. 5.2-4).

A. Montar el primer talón. Tras haber colocado la herramienta de montaje / desmontaje, colocar el rodillo (ref. 1) y la herramienta (ref. 2) tal y como indica la Fig. 5.2-4.

B. Bajar el aprieta talones de manera que la presión del rodillo y de la herramienta de sujeción sobre el neumático, ayuden a mantener el talón en el canal de la llanta (Fig. 5.2-4).

Antes de alejar la herramienta de montaje / desmontaje de la máquina desmonta-ruedas, colocar el rodillo y la herramienta prensadora en posición de descanso.



5.2-4

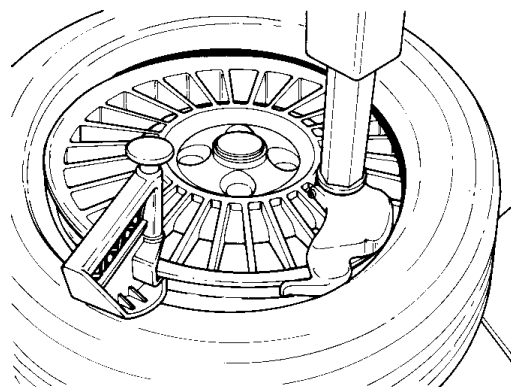
5.2.1 Si el talón superior del neumático es difícil de montar

Opción 1)

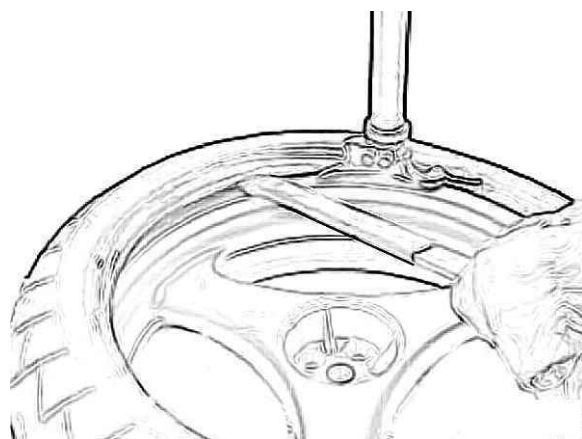
Utilice el MH310 PRO. Siga las instrucciones por separado siempre.

Opción 2)

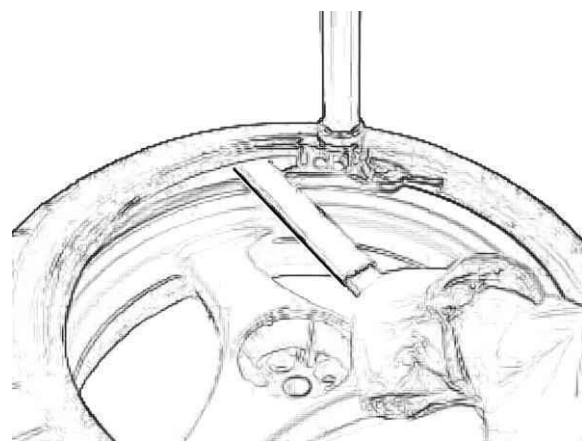
Siga estas instrucciones con la **abrazadera MX** opcional (Fig. 5.2.3), #EAA0247G70A.



5.2.3



5.2.1-1



5.2.1-2

A. Una vez instalado el talón inferior introducir la palanca que levanta la cubierta debajo del talón de los neumáticos a la izquierda de la lengüeta de montaje, como se muestra (Fig. 5.2.1-1). Para proteger bordes decorativos, use a protección #EAA0247G04A (opcional).

B. Apretar el pedal para hacer girar el autocentrante en sentido horario hasta que la palanca es apretada contra la cabeza de la lengüeta de montaje (Fig. 5.2.1-1).

C. Con la mano derecha, empuje y sostenga el talón del neumático frente a la cabeza montaje, en el centro de la caída de la llanta.

D. Coloque el Corchete manual MX#EAA0247G70A (opcional) para sostener el talón del neumático en el centro de la caída de la llanta (Fig. 5.2.3).

E. Como el plato se está convirtiendo utilizar la herramienta de neumáticos en la mano izquierda para educar y guiar el talón del neumático en la cabeza del grano (Fig. 5.2.1-2).

F. Siga girando el plato hasta que el talón superior se monta encima.

No retire la herramienta de neumáticos, o el Corchete manual, hasta que el pedal se libera.

5.3 Entalonado de los neumáticos

Por Entalonado se entiende una adherencia inicial de los talones del neumático a la llanta tal que permita continuar con la operación de inflado y sucesivo asentamiento de los mismos en sus alojamientos en la llanta.

Precauciones de seguridad:

Por motivos de seguridad, se ha montado una válvula para el hinchado rápido, programada a 4,5 bar, para el dispositivo de hinchado de pedal.

ATENCIÓN: NO UTILIZAR EL DESMONTA-RUEDAS COMO DISPOSITIVO DE INFLADO.

LOS DISPOSITIVOS DE INTRODUCCIÓN DEL AIRE COMPRIMIDO, PRESENTES EN EL DESMONTADOR DE RUEDAS, SÓLO TIENEN EL OBJETIVO DE FACILITAR EL ENTALONADO DEL NEUMÁTICO TUBELESS.

EN NINGÚN CASO HAY QUE SUPERAR LA PRESIÓN MÁXIMA ADMITIDA POR EL FABRICANTE DEL NEUMÁTICO.

EL TRABAJADOR TIENE QUE MANTENERSE A UNA DISTANCIA DE SEGURIDAD CUANDO PROCEDE CON EL ENTALONADO DEL NEUMÁTICO Y LA PRESIÓN TIENE QUE SER CONTROLADA A MENUDO PARA EVITAR SOBREPRESIONES.

ANTES DE ENTALONAR UN NEUMÁTICO CONTROLAR EL ESTADO DE LA GOMA Y DE LA LLANTA.

ASEGÚRESE DE QUE HAYA UNA BUENA SUJECIÓN ENTRE LA VÁLVULA Y EL RACOR DEL EXTREMO DEL TUBO DE INTRODUCCIÓN DEL AIRE. UNA PERDIDA DE AIRE PUEDE DETERMINAR UNA LECTURA ERRÓNEA UNA SITUACIÓN DE PELIGRO.

COMPRUEBE QUE LA AGUJA DEL MANÓMETRO ESTÉ EN EL 'CERO' EN CONDICIONES DE DESCANSO.

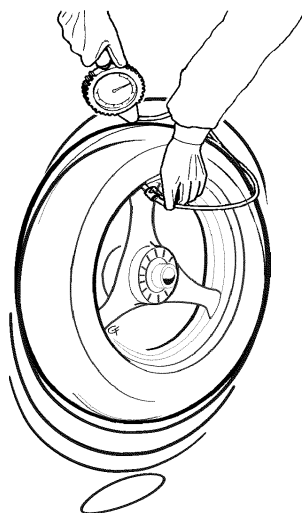
LA COMPLETA COLOCACIÓN DEL TALÓN EN LAS SEDES DE LA LLANTA ES UNA FASE MUY PELIGROSA DEL MONTAJE DE UN NEUMÁTICO.

PARA COMPLETAR EL ENTALONADO E HINCHAR LA RUEDA DE MODO APROPIADO, COLÓQUELA EN UNA JAULA HOMOLOGADA.

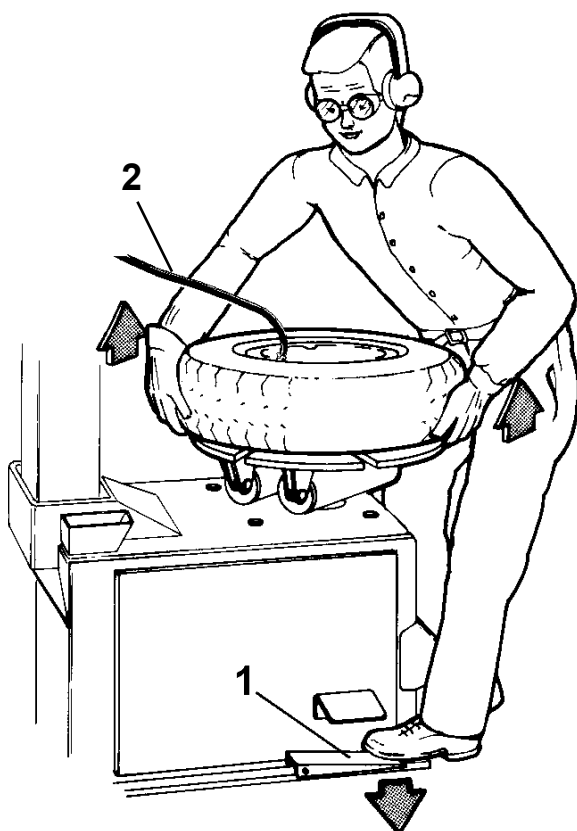
POR CUALQUIER RAZÓN QUE PUDIERA OCURRIR LA EXPLOSIÓN DE UN NEUMÁTICO PUEDE CAUSAR LESIONES GRAVES O MORTALES.

EVITAR INTRODUCIR NEUMÁTICOS DE DIÁMETRO DE 1/2" INFERIOR A LA LLANTA EN LA CUAL SE ENSAMBLAN, NO SE GARANTIZARÁ LA ADHERENCIA ADECUADA DE LOS TALONES EN SUS SEDES, LO CUAL SUPONE UN PELIGRO PARA LA GUÍA.





5.3-1



5.3-2



5.3-3



Entalonado de Neumáticos Tubeless:

Realizar el entalonado con la rueda bloqueada sobre el desmontador de ruedas.

- Asegúrese de que ambos talones y toda la llanta estén esmeradamente lubricados.
- Enrosque el inserto válvula.
- Conecte el tubo del aire comprimido a la válvula (2, Figura 5.3-2).
- Accione el mando del aire comprimido para garantizar el asentamiento de los talones.

DETEGA EL MANDO INMEDIATAMENTE DESPUÉS DE HABER LOGRADO UNA BUENA ADHERENCIA DE LOS TALONES A LA LLANTA.

- Coloque la rueda en una jaula homologada para terminar el hinchado y completar el asentamiento de los talones en las correspondientes sedes de la llanta.

El entalonado de los neumáticos tubeless a veces presenta algunas dificultades porque los talones están muy cerca entre sí (p. ej.: a causa del almacenamiento poco correcto) y no permitiendo una fácil adherencia a la llanta.

En este caso puede ser útil poner la rueda en el suelo y hacerla saltar en posición vertical, mientras se procede con la introducción del aire con el pedal o la pistola (Figura 5.3-1).

Entalonado con dispositivo GP:

La máquina puede estar equipada con un dispositivo GP, necesario para el entalonado de los neumáticos tubeless.

(Fig. 5.3-2)

- Bloquear la rueda sobre el autocentrador preferentemente desde el interior (el bloqueo desde afuera reduce la eficacia del dispositivo).
- Conectar el tubo de hinchado con la válvula (2).
- Levantar el neumático con las dos manos de manera que el talón superior se adhiera al borde de la llanta (Fig.5.3-2).
- Apretar a fondo y con una acción rápida el pedal de hinchado (1, Fig. 5.3-2). Los inyectores situados en las garras expulsan un gran caudal de aire y el talón inferior se adhiere al borde de la llanta permitiendo de esa manera el hinchado.

DETEGA EL MANDO INMEDIATAMENTE DESPUÉS DE LOGRAR LA CORRECTA ADHERENCIA DE LOS TALONES A LA LLANTA.

- Terminar el hinchado como se describe al comienzo del párrafo.

(Fig. 5.3-3)

DURANTE EL ACCIONAMIENTO DEL DISPOSITIVO DE HINCHADO ES OBLIGATORIO EL USO DE AURICULARES CONTRA RUIDOS Y ANTIPARRAS DE PROTECCION PARA EVITAR LA CONTAMINACION CON POLVOS E IMPUREZAS LEVANTADAS POR LOS JETS DEL AIRE.

5.4 Desmontaje de neumáticos con cámara de aire

Para el desmontaje trabajar de acuerdo con lo indicado para los neumáticos tubeless en 5.1. En este caso la válvula no puede ser substituida ya que forma una sola pieza con la cámara de aire.

NO DAÑAR LA CÁMERA DE AIRE DURANTE LA OPERACION DE DESTALONADO. LA VALVULA TIENE QUE ESTAR EN LA POSICION DIAMETRALMENTE OPUESTA A LA PALETA DEL DESTALONADOR.

- Para desmontar el primer talón, la válvula tiene que estar en las 3 (horas).

NO PINCHAR LA CÁMERA DE AIRE CON LA PALANCA DE LEVANTAR LA CUBIERTA CUANDO SE LEVANTA EL TALON SOBRE LA LENGUETA DE LA HERRAMIENTA.

Después de haber desmontado el primer talón quitar la cámara de aire antes de desmontar el segundo talón como se describe en 5.1.

5.5 Montaje de neumáticos con cámara de aire

- Trabajar como se describe en 5.2 No lubricar la cámara de aire. Si se desea se puede usar talco para facilitar la puesta en posición de la cámara de aire en el neumático.
- Montar la válvula en la cámara de aire y apoyarla en la cubierta para controlar si la medida es correcta (Fig. 5.5-1).
- Hinchar ligeramente la cámara de aire: sostenida con el índice tiene que plegarse un poco (Fig. 5.5-2).
- Montar el primer talón como se describe en 5.2 Colocar la cámara de aire dentro del neumático y enganchar la válvula con la pinza de la pistola de hinchar (Fig. 5.5-3). Montar el segundo talón.

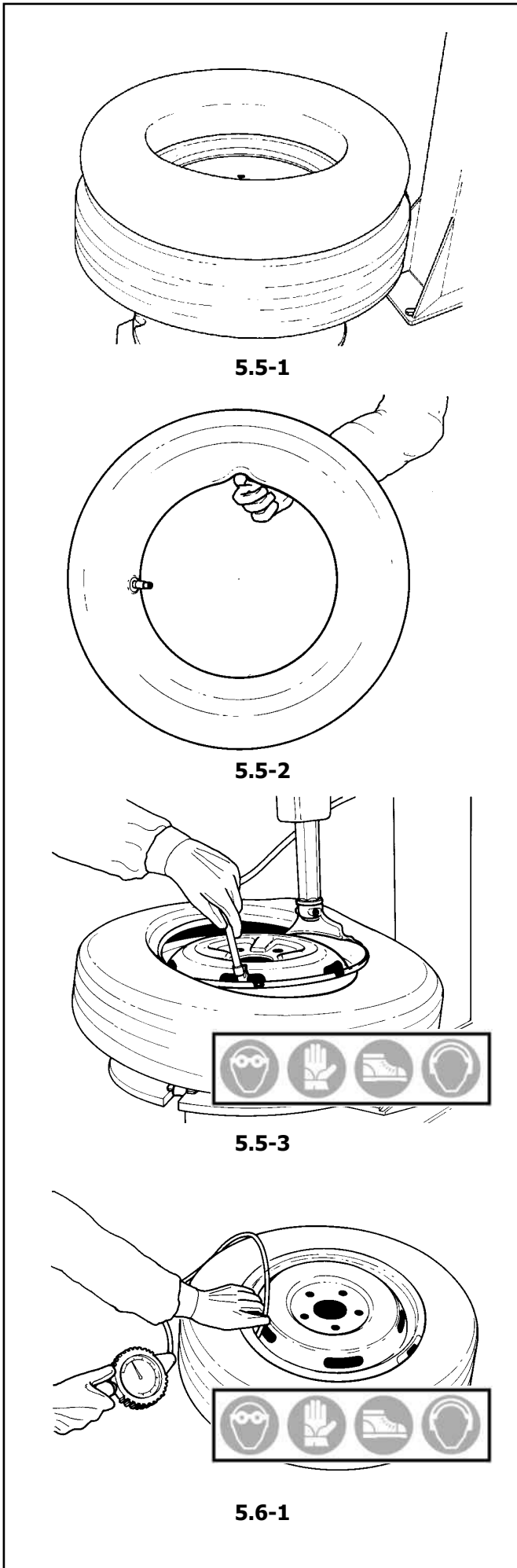
5.6 Hinchado de neumáticos con cámara de aire

Desbloquear la llanta y comenzar a hinchar el neumático empujando la válvula hacia dentro para evitar que se formen burbujas de aire entre la cámara de aire y la cubierta (Fig. 5.6-1).

Controlar que el neumático esté bien centrado sobre la llanta.

DETENGA EL MANDO INMEDIATAMENTE DESPUÉS DE HABER LOGRADO UNA BUENA ADHERENCIA DE LOS TALONES A LA LLANTA.

- Coloque la rueda en una jaula homologada para terminar el hinchado y completar el asentamiento de los talones en las correspondientes sedes de la llanta.



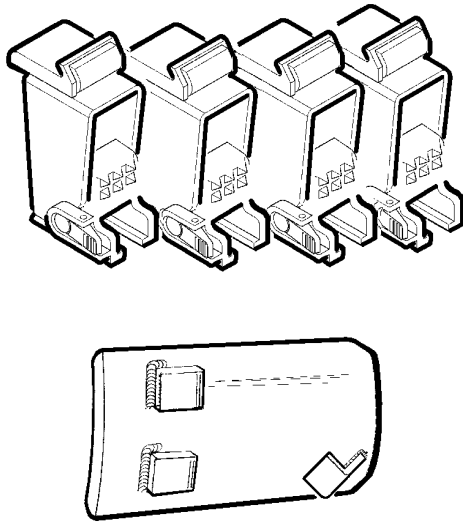
5.7 Montaje y Desmontaje de neumáticos de Motos

Para trabajar con neumáticos de motos es necesario montar los adaptadores especiales EAA0329G53A (4 piezas) con conexión rápida en las garras del autocentrante & EAA0247G14A Paleta destalonador moto.

La técnica de destalonado, de montaje y desmontaje, es la misma que para los neumáticos de automóviles.

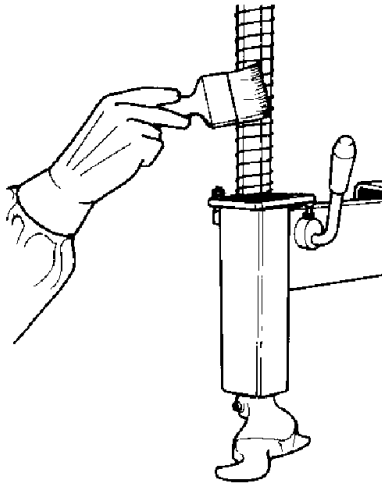
LAS LLANTAS SIEMPRE TIENEN QUE ESTAR BLOQUEADAS DESDE AFUERA.

LA PRESION DEL AIRE QUE ALIMENTA LA MÁQUINA NO TIENE QUE SUPERAR 140 PSI (10 BAR) CUANDO SE BLOQUEAN LLANTAS DE MOTO.



6.0 Mantenimiento

ANTES DE COMENZAR CUALQUIER OPERACION DE MANTENIMIENTO FIJARSE QUE LA MÁQUINA ESTE DESCONECTADA DE LA LINEA ELECTRICA Y DE LA LINEA DE AIRE COMPRIMIDO.



6.0-1

A. Limpiar periódicamente la barra hexagonal vertical con detergente líquido no inflamable. Lubricar con aceite (Fig. 6.0-1).

B. Limpiar periódicamente el autocentrador con detergente líquido no inflamable, secar y lubricar con aceite la superficie de deslizamiento de las garras.

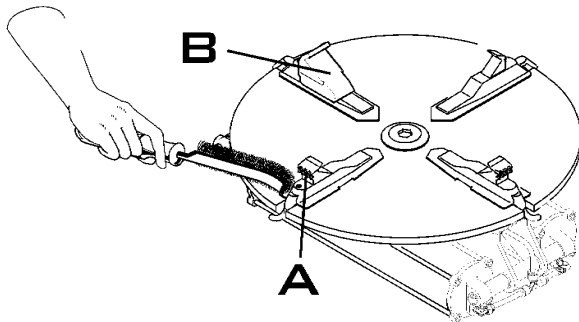
C. Limpiar con un cepillo de acero los dientes de las garras y controlar las protecciones de plástico: si están desgastadas sustituirlas con otras nuevas (Fig. 6.0-2).

D. Lavar periódicamente todas las piezas de plástico con agua fría y jabón o con detergentes químicos no agresivos.

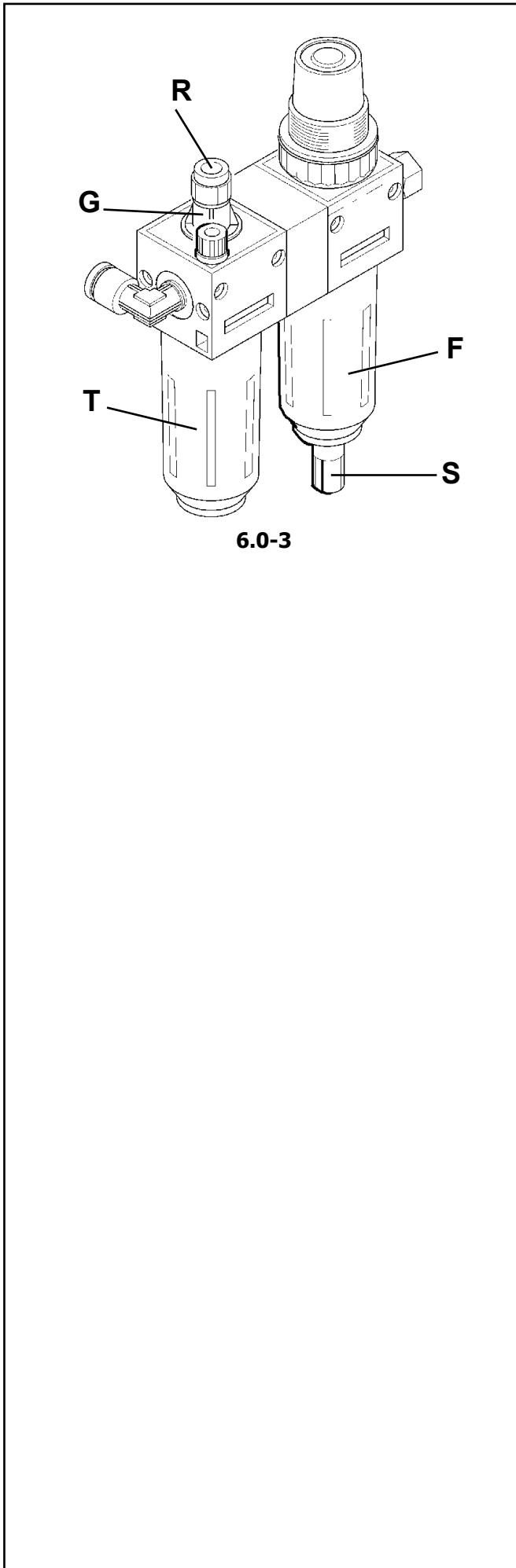
E. Lubricar periódicamente con aceite todas las barras de los cilindros.

F. El encaje de plástico dentro de la herramienta de montaje/desmontaje tiene que ser sustituido periódicamente.

G. Controlar los soportes del destalonador: si estuvieran desgastados sustituírlos.



6.0-2



6.0-3

H. Vaciar cada día el agua del filtro 'F' tirando hacia abajo el vaciado rápido 'S' (Fig. 6.0-3).

I. Controlar regularmente el nivel del aceite. Cuando se añade aceite al lubricador, primero desconectar la línea de aire, y añadir la cantidad de aceite necesaria. Fijarse que las juntas estén en la posición justa cuando se vuelve a colocar el vaso.

ATENCIÓN!

MANTENER COMPLETO EL TANQUE DE ACEITE, ESPECIALMENTE PARA LAS MÁQUINAS CON MOTOR NEUMÁTICO.

USAR EXCLUSIVAMENTE ACEITES PARA DISPOSITIVOS NEUMATICOS, NO USAR LIQUIDO PARA FRENOS NI OTROS LUBRICANTES NO ACONSEJADOS

Aceites aconsejados para el filtro/lubricador:

WHITE MINERAL OIL: 15 cSt

TAMOIL:	WHITE MINERAL OIL 15
SHELL:	ONDINA OIL 15
BP:	ENERGOL WT3
TOTAL:	LOBELIA SB 15
ESSO:	MARCOL 82

J. Controlar periódicamente la acción del lubricador. Una gota de 'G' (Fig. 6.0-3) que cae en el cono transparente cada 4-5 operaciones del destalonador indica que la cantidad de aceite que se suministra al sistema es justa. Si fuera necesario regular la unidad usando el tornillo 'R' (Fig. 6.0-3) para corregir el flujo de aceite.

K. Si la máquina está equipada con unidad de entalonado para neumáticos tubeless, vaciar la condensación del depósito cada día.

6.1 Almacenamiento

En caso de almacenamiento de la máquina durante un largo período (6 meses) es necesario desconectar las fuentes de alimentación, vaciar el depósito (en los modelos con Sistema GP) y proteger las piezas que podrían dañarse, y proteger los tubos neumáticos que podrían dañarse por procesos de secado.

Al ponerla nuevamente en funcionamiento controlar la eficiencia de las piezas que estuvieron protegidas y efectuar una prueba de funcionamiento antes de empezar a trabajar.

7.0 Resolución de problemas

Si ocurre algún problema en el desmontador, proceda en el siguiente orden para resolverlo:

1. Recuerde los últimos pasos dados.
 - ¿Ha trabajado de acuerdo con el manual?
 - ¿Funcionaba la unidad tal y como se describe y era de esperar?
2. Verifique la unidad siguiendo la lista de este capítulo.
3. Llame al agente de ventas local para asistencia técnica.

La estructura de este capítulo es la siguiente:

Problema

1. Causa posible #1
 - Solución(es) posible(s)
2. Causa posible #2
 - Solución(es) posible(s)

Apretando el pedal de rotación del autocentrador de la máquina no funciona.

1. Falta de tensión.
 - Controlar que el enchufe esté conectado con la red y que la red esté también conectada.
2. Inversor o motor en cortocircuito.
 - Controlar que las características de la máquina sean compatibles con las de la instalación.
 - Llamar al centro de asistencia autorizado.

El pedal de rotación del autocentrador no vuelve a la posición central.

1. Muelle pedal roto.
 - Colocar el pedal en la posición central
 - Desconectar la máquina de la línea eléctrica y neumática
 - Llamar al centro de asistencia autorizado.

Pedal autocentrador y destalonador duros.

1. Barra válvulas neumáticas secas.
 - Controlar el nivel del aceite lubricador y funcionamiento del lubricador.

El cilindro destalonador tiene poca fuerza al destalonar.

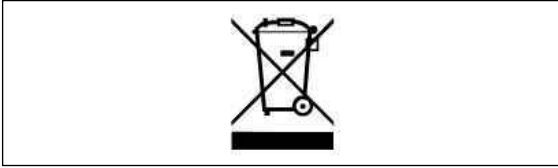
1. Presión reducida.
 - Limpiar la válvula.
 - Controlar la presión del aire en la línea.
2. Juntas del cilindro. desgastadas.
 - Llamar al centro de asistencia autorizado.

No aprieta las llantas.

1. Garras sucias.
 - Limpiar las garras.
2. Autocentrador sucio.
 - Limpiar el autocentrante.
3. Poca presión.
 - Controlar la presión del aire en la línea de alimentación.
4. Garras desgastadas.
 - Controlar las condiciones de las garras.
 - Llamar al centro de asistencia autorizado para la sustitución de las garras.

Daña las llantas de aleación.

1. Protección plástica de la herramienta desgastada.
 - Substituir la protección plástica de la herramienta.
2. Protección garras desgastada.
 - Substituir la protección de las garras



8.0 Eliminación de la unidad

Para el desguace del aparato al final de su vida útil, póngase en contacto con el revendedor para que le haga una oferta o para conocer las normas aplicables en materia de eliminación de la unidad.

Este símbolo indica la obligación de llevar a cabo una recogida diferenciada de los aparatos eléctricos y electrónicos al momento del desguace.

8.1 Instrucción para la Eliminación

Para aparatos eléctricos y electrónicos Directivas europeas 2002/95/CE, 2002/96/CE y 2003/108/CE (RAEE)

Al momento de la eliminación, es decir, al final de la vida de este aparato, es obligatorio:

1. Inutilice la unidad. Quite el enchufe y corte el cable de alimentación cerca del punto en el que sale de la máquina.
2. NO elimine el aparato como residuo urbano, proceda a su eliminación separada y entregue los distintos materiales en los centros de recogida separada.
3. Solicite información al distribuidor sobre los puntos de recogida autorizados para la eliminación y para la entrega en caso de compra de un nuevo aparato (intercambio uno por uno).
4. Atenerse a las normas sobre la correcta gestión de los desechos, para evitar dañar el ambiente y la salud de las personas. La eliminación irregular implica sanciones administrativas para los infractores.

9.0

Anexo: Instrucciones Instalación

Este capítulo contiene información adicional sobre la unidad.

Si se hace referencia a la configuración exacta de la unidad, tenga en cuenta que la configuración exacta puede ser distinta en función del país. Consulte los detalles en el documento de confirmación del pedido.

i. Requisitos de Instalación

LA INSTALACIÓN TIENE QUE SER EFECTUADA POR PERSONAL CALIFICADO EN EL TOTAL RESPETO DE LAS INSTRUCCIONES DADAS EN ESTE MANUAL.

Instalar la máquina en un sitio cubierto y seco. La instalación de la máquina necesita un espacio útil de 106"x106" (270x270cm) (Fig.i-1).

Fijarse que desde su posición de mando el trabajador pueda ver todo el aparato y el area que lo rodea.

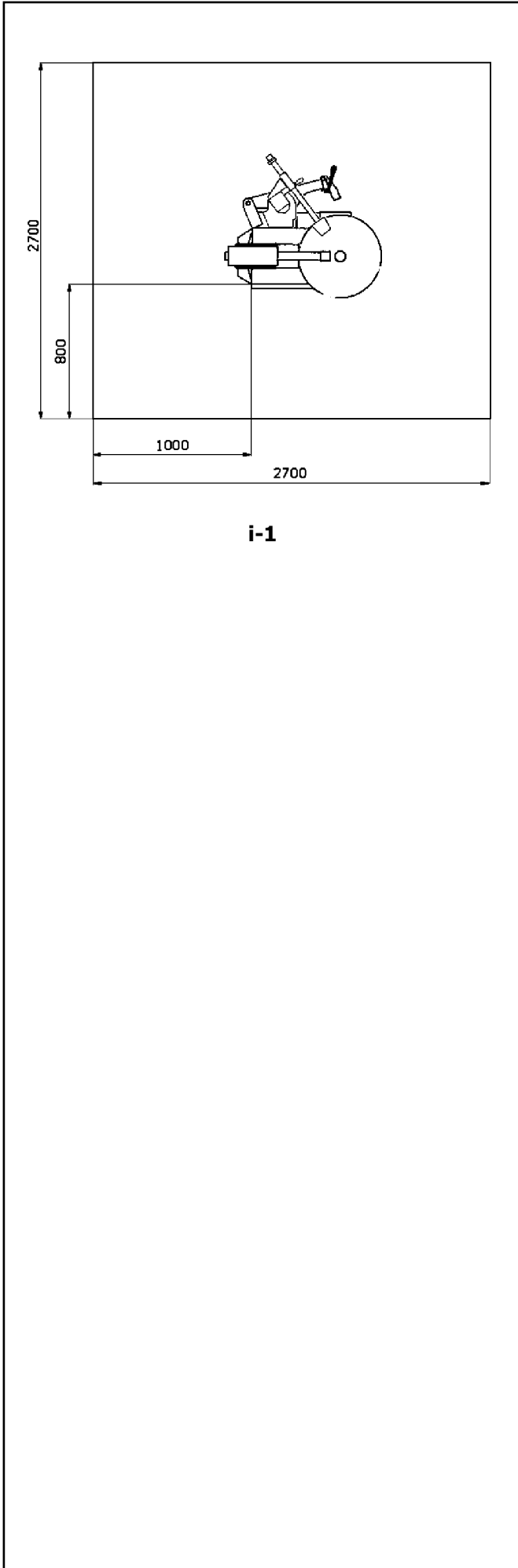
El trabajador tiene que impedir que se acerque a tal sitio toda persona no autorizada o que se coloquen objetos que podrían ser fuente de peligro.

La máquina tiene que ser ensamblada en un plano horizontal preferentemente nivelado. No instalar la máquina en terrenos o planos que puedan ceder o irregulares.

En el caso de que la máquina tuviera que ser instalada en planos sobreelevados o plataformas de cierta altura, los planos tienen que tener una capacidad de por lo menos 110lbsxsqft (5000 N/m² o 500 kg/m²). La máquina tiene que ser fijada al suelo usando los expresos agujeros de la base.

Hay que emplear tacos para tornillos de 12x120 mm y hacer agujeros que coincidan con las aberturas previstas, usando un taladro con una punta de 12 mm.

Después de esto colocar los tarugos y ubicar la máquina haciendo coincidir los agujeros. Colocar los tornillos y apretarlos con una llave manométrica de 51 ftxlb (70 Nm).



i-1

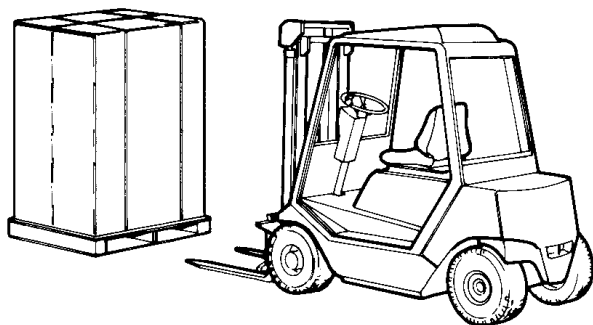
ii. Transporte – Desembalaje - Transporte

Transporte

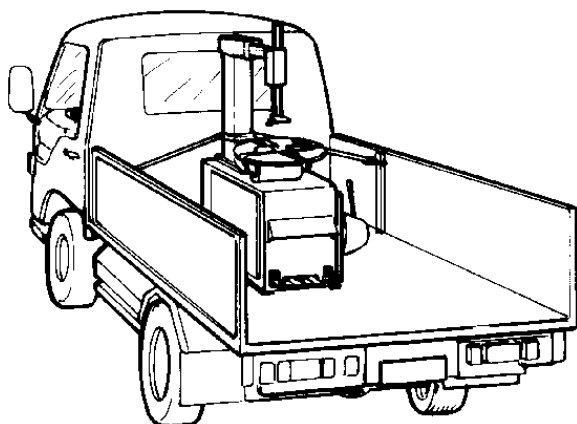
La máquina se entrega embalada en una caja de cartón de resistencia adecuada.

Esta caja a su vez está colocada en un pallet de transporte. Para el transporte de la máquina embalada hay que emplear un medio adecuado de elevación (carretilla elevadora - Fig.ii-1).

La máquina puede ser colocada, como alternativa, en el pallet de transporte con la columna ya ensamblada. En tal caso hay que fijar la máquina al medio de transporte con una correa apta y resistente, enganchada en la columna (Fig.ii-2)



ii-1



ii-2

Desembalaje

Efectuar la operación de desembalaje con mucho cuidado al cortar las fajas o cualquier otra operación que pueda ser objeto de riesgo.

Después de haber quitado el embalaje fijarse que la máquina se encuentre íntegra y que las piezas de la misma no presenten daños visibles.

En caso de dudas no hay que utilizar la máquina sino dirigirse a personal profesionalmente calificado.

Los elementos del embalaje (bolsas de plástico, espuma de poliestireol, clavos, tornillos, trozos de maderas, etc.) no tienen que ser abandonados.

Colocar todos estos materiales en los expresos lugares de recolección de residuos de acuerdo con las leyes locales vigentes.

USAR SIEMPRE GANTES DURANTE EL DESEMBALAJE PARA EVITAR RAYADURAS O ABRASIONES DEBIDAS AL CONTACTO CON EL MATERIAL DE EMBALAJE.

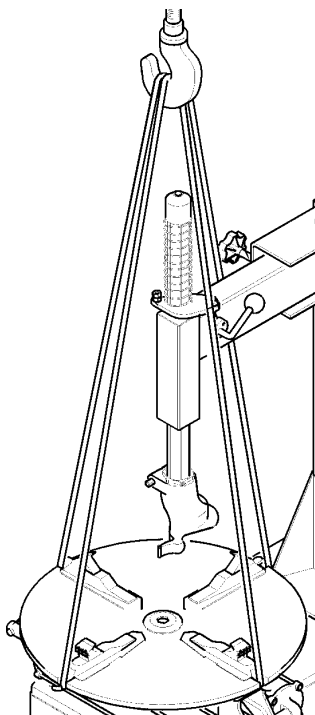
Transport

En el caso de que la máquina tuviera que ser transportada de una posición de trabajo a otra proceder de la siguiente manera:

Desconectar las fuentes de alimentación, eléctrica y neumática.

Quitar del borde de la máquina los accesorios o piezas que podrían caer durante el transporte, creando situaciones de peligro.

No utilizar cables metálicos para atarla. Utilizar correas de carga de 3000 mm. de longitud y de 500 Kg de capacidad. Atar bien la máquina como se muestra en la (Fig. ii-3).



ii-3

iii Procedimiento de Instalación

Conexión eléctrica

LA INSTALACIÓN TIENE QUE SER EFECTUADA POR PERSONAL CALIFICADO EN EL TOTAL RESPETO DE LAS INSTRUCCIONES DADAS EN ESTE MANUAL.

Controlar que las características eléctricas indicadas en la placa de datos del fabricante correspondan con las de la instalación.

La máquina, en función de la versión, puede precisar:

115VAC +/-10% 1ph 60Hz 12A

con un motor monofásico

o bien

230VAC +/-10% 1ph 50/60Hz 16A

con un motor monofásico.

Las características eléctricas están claramente indicadas en un cartel situado al final del cable eléctrico.

Antes de conectar la máquina verificar las condiciones de los conductores y la presencia de una eficaz protección de tierra.

Conectar el cable eléctrico de la máquina con un enchufe homologado.

En la instalación eléctrica a la tensión de 115 V a la que se conectará la máquina, se recomienda instalar fusibles de **30 A** de acción retardada.

Fusibles de **20 A** en presencia de INVERSOR (**25 A** para Japón) o un interruptor automático equivalente (magnético).

Dicha instalación es a cargo del usuario.

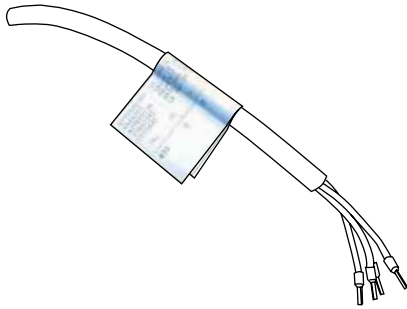
Note: La instalación eléctrica de suministro de energía debe ser controlada por un electricista antes de conectar la desmontadora de neumáticos.

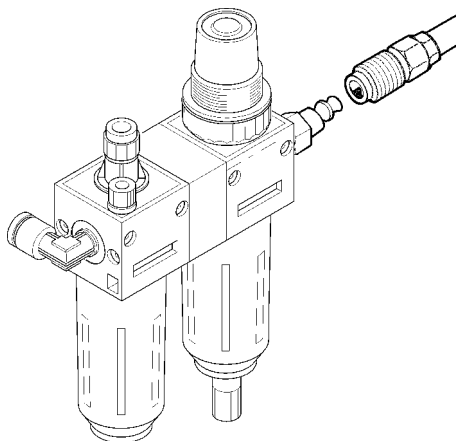
Note: El cable de tierra es de color amarillo/verde. No conectar nunca el cable de tierra con una de las fases.

Controlar que la instalación eléctrica que alimenta la máquina tenga un dispositivo de interrupción automática contra las sobrecargas, con un diferencial tarado a 30 mA.

AVISO: EN PRESENCIA DE INVERSOR, SE ACONSEJA UTILIZAR EXCLUSIVAMENTE INTERRUPTORES DIFERENCIALES DE TIPO **B**.

El motor eléctrico trabaja con una amplia tolerancia de tensión (más o menos 10%) y de frecuencia (60 Hz) y está tropicalizado de serie para trabajar en climas calientes y húmedos.





iii-1

Conexión neumática

LA INSTALACIÓN NEUMÁTICA TIENE QUE SER REALIZADA POR PERSONAL ESPECIALIZADO.

La máquina, como muestra la placa del constructor y la correspondiente etiqueta situada cerca de la conexión del aire, funciona con alimentación neumática a una presión de 8 a 12 bar. Controlar que la presión de la línea se encuentre dentro de los límites requeridos por la máquina. Si la presión del aire es menor que el mínimo necesario de 8 bar (110 psi) la fuerza de bloqueo del autocentrante y la fuerza del destalonador pueden resultar insuficientes para algunas ruedas. Si la presión supera los 12 bar (170 psi) es obligatorio instalar un regulador de presión antes de la toma de aire de la máquina.

Se aconseja colocar un filtro en la línea de aire comprimido para reducir la cantidad de agua en la línea.

Conecte la máquina a la línea de aire comprimido con una manguera de goma (capaz de soportar la presión), de 6 mm de diámetro interior. ¼ NPT "se proporciona a la entrada de aire.

ANTES DE CONECTAR LA MÁQUINA CON LA LÍNEA DE AIRE COMPRIMIDO CONTROLAR QUE NO HAYA NADA SOBRE EL AUTOCENTRANTE (HERRAMIENTAS, ETC.).

Después de haber hecho todos los controles mencionados, realizar las siguientes operaciones:

- Conectar la máquina a la línea del compresor (regulada a la presión máxima de 12 bar) con una manguera de plástica (en grado de soportar la presión) de 6 mm de diámetro interno (Fig. iii-1).
- Para la instalación de cualquier accesorio (piezas), seguir las instrucciones anexas.
- En el caso venga instalado un filtro lubricador, controlar el funcionamiento.

Control de los tubos de enlace

Cuando se mete en función la máquina por la primera vez, controlar pérdidas eventuales de aire de los tubos y de los empalmes de enlace.

iv Instrucciones para el operador

(Los siguientes puntos solamente proceden si la unidad ha sido instalada por un técnico)

- Explique el funcionamiento para encender y apagar la unidad.

EN
FR
ES

309 Exchange Ave.
Conway, AR 72032
Ph: 501-450-1500
Fax: 501-450-2085

Notice: The information contained in this document is subject to change without notice. **Snap-on Equipment** makes no warranty with regard to present documentation. **Snap-on Equipment** shall not be liable for errors contained herein or for incidental consequential damages in connection with furnishings, performance, or use of this material.

This document contains proprietary information which is protected by copyright and patents. All rights are reserved. No part of this document may be photocopied, reproduced, or translated without prior written consent of Snapon Equipment.

- Manufacturing Facilities -
· Snap-on Equipment Srl · Via Per Carpi 33 - 42015 Correggio RE - Italy ·
· Snap-on Equipment · 309 Exchange Avenue Conway, Arkansas 72032 ·
- Technical alterations reserved - Refer to the data plates for effective manufacturing location -

SOE Digital Code: OM_HOF_MONTY_1625_21-04_EN-FR-ES_A_ZEEVH784A06