

# HOFMANN®



## *monty 3550*

---

Operation manual  
Mode d'emploi  
Manual de Operador

Automatic Tire Changer  
Démonte-pneus Automatique  
Desmontador Automático de Neumáticos



FAMILY	NAME	DESCRIPTION
3550	3550 3550 <i>smartSpeed</i>	Basic type - 115 V - single Speed. smartSpeed type - 230 V - two speeds.

## SAFETY INFORMATION

**For your safety, read this manual thoroughly  
before operating the Tire Changer**

This tire changer is intended for use by properly trained automotive technicians. The safety messages presented in this section and throughout the manual are reminders to the operator to exercise extreme caution when servicing tires with these products.

There are many variations in procedures, techniques, tools, and parts for mounting and demounting of tires, as well as the skill of the individual doing the work. Because of the vast number of wheel and tire applications and potential uses of the product, the manufacturer cannot possibly anticipate or provide advice or safety messages to cover every situation. It is the automotive technician's responsibility to be knowledgeable of the wheels and tires being serviced. It is essential to use proper service methods in an appropriate and acceptable manner that does not endanger your safety, the safety of others in the work area or the equipment or vehicle being serviced.

It is assumed that, prior to using that tire changer, the operator has a thorough understanding of the wheels and tires being serviced. In addition, it is assumed he has a thorough knowledge of the operation and safety features of the rack, lift, or floor jack being utilized, and has the proper hand and power tools necessary to service the vehicle in a safe manner.

Before using the present tire changer, always refer to and follow the safety messages and service procedures provided by the manufacturers of the equipment being used and the vehicle being serviced.

 **IMPORTANT !! SAVE THESE INSTRUCTIONS - DO NOT DISCARD !!**

## IMPORTANT SAFETY INSTRUCTIONS

When using this equipment, basic safety precautions should always be followed, including the following:

1. Read all instructions.
2. Do not operate equipment with a damaged power cord or if the equipment has been damaged - until it has been examined by a qualified authorized service technician.
3. If an extension cord is used, a cord with a current rating equal to or more than that of the machine should be used. Cords rated for less current than the equipment may overheat. Care should be taken to arrange the cord so that it will not be tripped over or pulled.
4. Always unplug equipment from electrical outlet when not in use. Never use the cord to pull the plug from the outlet. Grasp plug and pull to disconnect.
5. To reduce the risk of fire, do not operate equipment in the vicinity of open containers of flammable liquids (gasoline).
6. Keep hair, loose fitting clothing, fingers and all parts of the body away from moving parts.
7. Adequate ventilation should be provided when working on operating internal combustion engines.
8. To reduce the risk of electric shock, do not use on wet surfaces or expose to rain.
9. Do not hammer any part of the machine, it isn't designed to be an anvil.
10. Do not allow unauthorized personnel to operate the equipment.
11. Do not disable or bypass the safety systems and follow all the safety procedures.
12. Use only as described in this manual. Use only manufacturer's recommended attachments.
13. Always securely lock the rim before actuating rotation.
14. **ALWAYS WEAR SAFETY GLASSES.** Everyday eyeglasses only have impact resistant lenses, they are NOT safety glasses.
15. The equipment is for indoor use only.

SAVE THESE INSTRUCTIONS

**UPDATING GUIDE**

Release **A** of **04/2021**

First document release

**TABLE OF CONTENTS**

	SAFETY INFORMATION	Page 5
	Safety Lables Meanings	Page 6
1.0	Introduction	Page 7
1.1	Nomenclature	Page 7
1.2	Specifications	Page 8
1.3	Dimensions Of The Machine	Page 8
1.4	Accessories	Page 8
1.5	General Cautions	Page 9
1.5.1	Precautions	Page 9
2.0	Accessories Installation	Page 10
2.1	Installing the Kit: - SLIDING JAW +4 INCH	Page 10
2.2	RAPID CHANGE-OVER TOOL EXTENSION	Page 11
2.3	Hexagonal bar with offset roller	Page 13
3.0	Controls	Page 14
4.0	Mounting And Demounting-Precautions	Page 16
4.1	Demounting Tubeless Tires	Page 16
4.1.1	Use the bead presser as a Demounting Device	Page 18
4.2	Mounting Tubeless Tires	Page 19
4.2.1	Use the bead presser as a Mounting Help device	Page 19
4.3	Beading the Tires	Page 20
4.4	Mounting And Demounting Motorcycle Tires	Page 21
5.0	Demounting Tube-Type Tires	Page 22
5.1	Mounting Tube-Type Tires	Page 22
5.2	Inflating Tube-Type Tires	Page 22
6.0	Maintenance	Page 23
7.0	Disposing of the unit	Page 24
7.1	Disposal Informations	Page 24
i	Installation requirements	Page 24
ii	Carriage – Uncrating - Moving the machines	Page 25
iii	Installation procedures	Page 26
iv	Testing procedures	Page 27
v	Instructing the operator	Page 27

**⚠ DANGER**

Tires and Rims that are not the same diameter are mismatched.

- **NEVER** attempt to mount or inflate any tire and rim that are mismatched.
- **ALWAYS** check to see that tire and rim diameters are the same.

*A mismatched tire and rim will explode causing death or serious personal injury*

**⚠ WARNING**

Over-pressurized tires can explode causing flying debris.

- Read and understand Operator's Manual before operating.
- Keep bystanders away from work area.
- **ALWAYS** wear Safety Goggles.
- **ALWAYS** check to see that Tire and Rim diameters are the same.
- **NEVER** attempt to mount or inflate any Tire and Rim with different diameters.
- Inspect tires, **NEVER** inflate tires that are damaged, rotten or worn.
- **NEVER** inflate 'Split Rim Wheels' on this tire changer, remove them and use only an approved safety inflation cage designed for this purpose.
- Lock turntable Clamp on inside of rim before attempting to inflate tire.
- Use approved tire bead lubricant before removing or installing tire on rim.
- **ALWAYS** position the "Safety Restraint Arm" over the wheel to hold it to the turntable while inflating if so equipped.
- If a tire explodes on this tire changer, **STOP** using it until the "Safety Restraint Arm" has been replaced, which must be done even if no damage is seen.
- **NEVER** place head or body over a tire during inflation process.
- Use short bursts of air to seat tire beads, check tire air pressure frequently.
- **NEVER** exceed tire manufacturer's pressure limits.
- **NEVER** attempt to bypass or alter the built in air pressure limiter. Only inflate tire with air hose supplied with tire changer. **NEVER** use shop inflation hose to inflate a tire.
- Tire Changer must be anchored to concrete floor if equipped with a "Safety Restraint Arm"

*Exploding Tires can cause serious injury.*

# INSTRUCTIONS: Safety Label Meanings

## IMPORTANT!! SAVE THESE INSTRUCTIONS



Overinflated tires or tires mounted on the wrong sized rims can explode producing hazardous flying debris.

- Read and understand the operation instructions before using this tire changer.
- Never mount tire on rim with different sized diameter.
- Never exceed maximum inflation pressure listed on tire sidewall.
- Always use safety restraint arm to hold wheel in place while inflating.
- Always use attached air hose to inflate tires.

Exploding tires can cause death or serious injury.



Risk of electrical shock.

- Do not operate equipment with a damaged power cord or if the equipment has been dropped or damaged, until it has been examined by a qualified service person.
- If an extension cord is necessary, a cord with a current rating equal to or greater than that of the equipment should be used. Cords rated for less current than the equipment can overheat.
- Unplug equipment from electrical outlet when not in use. Never use the cord to pull the plug from the outlet. Grasp plug and pull to disconnect.
- Do not expose the equipment to rain. Do not use on wet surfaces.
- Plug unit into correct power supply.
- Do not remove or bypass grounding pin.

Contact with high voltages can cause death or serious injury.



Risk of electrical shock. High voltages are present within the unit.

- There are no user serviceable items within the unit.
- Service on the unit must be performed by qualified personnel.
- Do not open any part of the unit other than noted and allowed areas.
- Turn power switch off and unplug the unit before servicing.

Contact with high voltages can cause death or serious injury.



Risk of crushing.

- Become familiar with all controls before proceeding with operation.
- Stand away from the bead breaker arm when in operation.
- Apply air to breaker in bursts if necessary to control arm depth.
- Don't allow to approach extraneous people to the service.

Contact with moving parts could cause injury.



Risk of pinching or crushing hands and fingers.

- Keep hands and fingers clear of rim edge during demounting and mounting process.
- Keep hands and fingers clear of mount/demount head during operation.
- Keep hands and other body parts away from moving surfaces.
- Do not use tools other than those supplied with tire changer.
- Do not use unapproved accessories
- Do not bypass any safety features.
- Use proper tire lubricant to prevent tire binding.

Contact with moving parts could cause injury.



Risk of eye injury. Debris, dirt, and fluids may drop from wheels.

- Remove any debris from tire tread and wheel surfaces.
- Remove excess tire lubricant before inflating.
- Knock off any loose debris. Clean surfaces as needed to avoid any materials from falling.
- Wear approved safety glasses during mount and demount procedures.

Debris, dirt, and fluids projection can cause serious eye injury.



Risk of injury. Tools may break or slip if improperly used or maintained.

- Use the correct tool for the task.
- Frequently inspect, clean, and lubricate (if recommended) all tools.
- Follow recommended procedures when performing wheel services.

Tools that break or slip can cause injury.



Collision and dragging hazard:

- do not rotate the turntable without wheel on board
- do not approach the turntable plate while it is moving
- pay attention to the jaws when these stick out of the turntable plate
- do not place any protruding objects on the turntable plate
- do not place any protruding objects near the turntable plate

Contact with moving parts could cause injury.

## 1.0 Introduction

Congratulations on purchasing the “**John Bean EHP Sys V**” electric/air tire changer.

This tire changer is designed for ease of operation, safe handling of rims, reliability and speed.

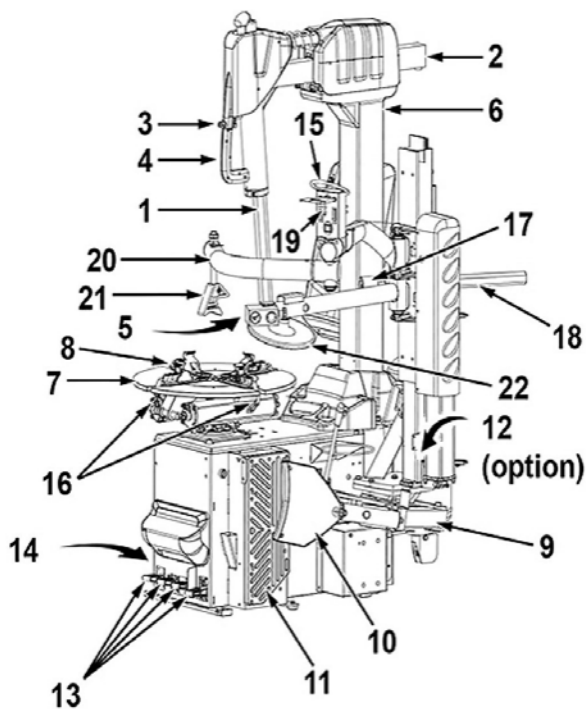
This combination of features means more profit and added versatility for your shop, enabling you to work with aluminium or magnesium alloy wheels without damaging customer’s rims.

With a minimum of maintenance and care your tire changer will provide many years of trouble-free operation. Please read this manual thoroughly before operating the unit. Instructions on use, maintenance and operational requirements of the machine are covered in this manual.

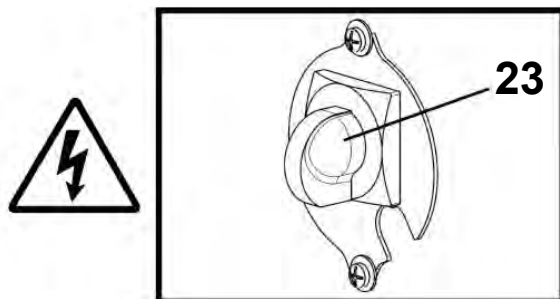
STORE THIS MANUAL IN A SAFE PLACE FOR FUTURE REFERENCE. READ THIS MANUAL THOROUGHLY BEFORE USING THE MACHINE.

## 1.1 Nomenclature

Before installing and using the electric/air tire changer it is suggested that you become familiar with the nomenclature of the machine’s components (**Fig. 1.1-1**).



1.1-1



1.1-2

- 1 Vertical slide
- 2 Mounting arm, horizontally displaceable
- 3 Lever with push-button
- 4 Handle
- 5 Mount/demount tool
- 6 Tower or column
- 7 Turntable
- 8 multi-position Jaw
- 9 Bead breaker arm
- 10 Bead breaker blade
- 11 Bead breaker pads
- 12 Lube Pail (option)
- 13 Foot pedal controls
- 14 Bead seater/inflator pedal
- 15 Inflation gauge
- 16 Nozzle (AS OPTIONAL)
- 17 Top bead roller
- 18 Bead assist arm
- 19 Rise/fall control lever
- 20 Bead depressor arm
- 21 Bead depressor tool
- 22 Bottom bead roller
- 23 ON-OFF functionality (only for 220V)

**Nota:** When the unit does not have a power switch on and off (**23, Fig. 1.1-2**), disconnect and reconnect the power plug.

**CAUTION:** WE RECOMMEND SWITCHING OFF THE UNIT AT THE END OF EACH WORKING DAY.

## 1.2 Specifications

Electric-air tire changer for car, light commercial vehicle and motorcycle tires designed for one-piece rims.

**Weight** 925 lbs (420 Kg)  
**Air pressure required** psi 110-170 (8-12 bar)  
**Bead breaker force** lbs 3300 (15 kN)

**Electric specifications:** 115 V, 1Ph, 60Hz, 12A  
**Motor power** kW 0.75 (HP 1)  
**Vitesse de rotation de l'autocentreur:** 7 t/min

**Electric specifications:** 230 V, 1Ph, 50/60 Hz, 16A  
**Motor power** kW 0.75 (HP 1)  
**Turntable rotation speed:** 7-18 rpm

**Max. torque** lbf-ft 738 (Nm 1000)

**Max. tire diameter** 47" (mm 1270)  
**Max. rim width** 16" (mm 405)  
**Rim diam. outside locking** 12"-26"  
**Rim diam. inside locking** 14"-28"  
**Motorcycle wheels with adapters** 10"-25"  
**Motorcycle wheels with adapters** 8"-23"

**Acoustic pressure:** <70dBA  
**Acoustic pressure - beading action** 120dBA

## 1.3 Dimensions of the Machine

(Fig.1.1-3)

**L**= Max. width 67"3/4 (mm 1720)  
**P**= Max. depth 75"1/2 (mm 1920)  
**H**= Max. height 85" (mm 2160)

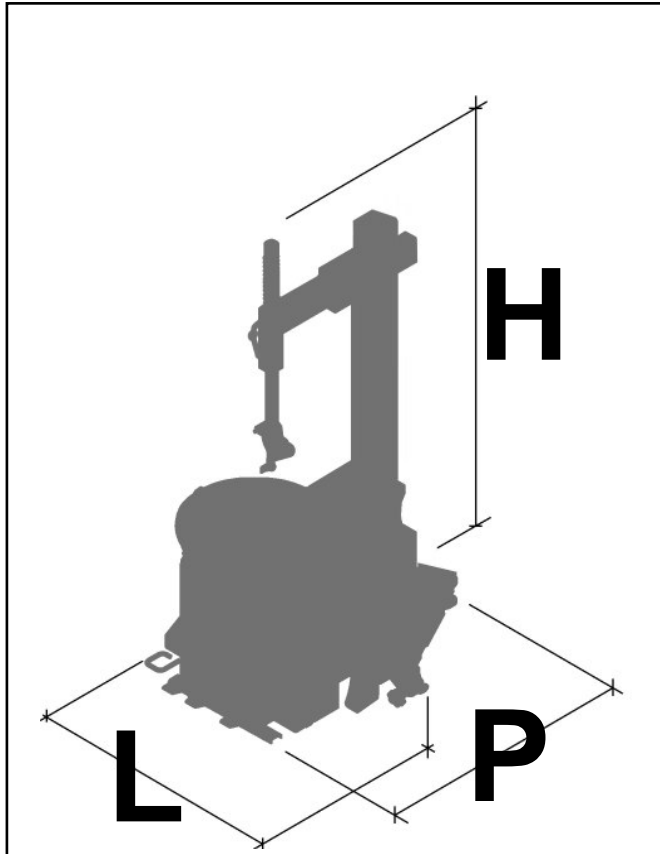
## 1.4 Accessories

A series of accessories are usually available for the machine. All accessories are indicated on the website: <http://service.snapon-equipment.net/>

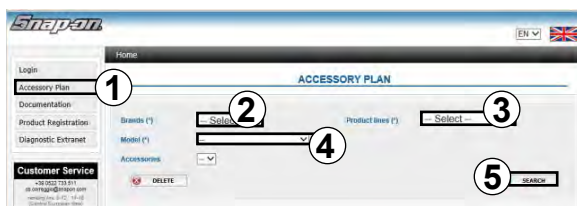
After accessing the website (Fig.1.1-4), proceed as follows:

- Select **Accessory Plan** (1).
- Select the reference brand in the field **Brands** (2).
- Select the Type of product "Tyre changers" in the field **Product lines** (3).
- Open the field **Model** (4) and select the specific machine model among the ones in the list.
- Enter "**SEARCH**" (5) to display the list of available accessories.

- Use the codes in the list for the purchase orders.



1.1-3



1.1-4



**B****D**

## 1.5 General Cautions

**A.** DURING USE AND MAINTENANCE OF THE MACHINE IT IS MANDATORY TO COMPLY WITH ALL LAWS AND REGULATIONS FOR ACCIDENT PREVENTION.

**B.** THE ELECTRICAL POWER SOURCE MUST HAVE A GROUND CABLE AND THE GROUND CABLE OF THE MACHINE (YELLOW WITH GREEN) MUST BE CONNECTED TO THE GROUND CABLE OF THE POWER SOURCE.

**C.** BEFORE PERFORMING ANY MAINTENANCE OR REPAIRS THE MACHINE MUST BE DISCONNECTED FROM THE AIR AND ELECTRIC SUPPLY.

**D.** NEVER WEAR TIES, CHAINS OR OTHER LOOSE ARTICLES WHEN USING, MAINTAINING OR REPAIRING THE MACHINE. LONG HAIR IS ALSO DANGEROUS AND SHOULD BE KEPT UNDER A HAT. THE USER MUST WEAR PROPER SAFETY ATTIRE I.E.: GLOVES, SAFETY SHOES AND GLASSES.

**E.** MAINTAIN ALL ELECTRIC CORDS IN GOOD REPAIR.

**F.** KEEP SAFETY FEATURES IN PLACE AND IN WORKING ORDER.

**G.** KEEP WORKING AREA CLEAN. CLUTTERED AREAS INVITE ACCIDENTS.

**H.** AVOID DANGEROUS ENVIRONMENTS. DON'T USE POWER TOOLS OR ELECTRICAL EQUIPMENT IN DAMP OR WET LOCATIONS, OR EXPOSE THEM TO RAIN.

**J.** KEEP THE WORK AREA WELL LIGHTED.

### 1.5.1 Precautions

**THE USE OF THIS DEVICE IS ALLOWED ONLY TO PERSONNEL DULY TRAINED BY AN AUTHORIZED JOHN BEAN DEALER.**

**ANY MISUSE OR MODIFICATION OF THIS DEVICE OR OF ITS PARTS OR COMPONENTS NOT PREVIOUSLY AUTHORIZED BY THE MANUFACTURER WAIVE THE MANUFACTURER FROM ANY DAMAGE CONSEQUENT OR RELATED TO THE ABOVE MENTIONED MISUSES.**

**REMOVING OR BYPASSING SAFETY DEVICES OR WARNING LABELS OF THE MACHINE IS A VIOLATION OF THE SAFETY REGULATIONS.**

**THE USE OF THIS DEVICE IS ALLOWED ONLY IN LOCATIONS WITH NO EXPLOSION OR FIRE HAZARD.**

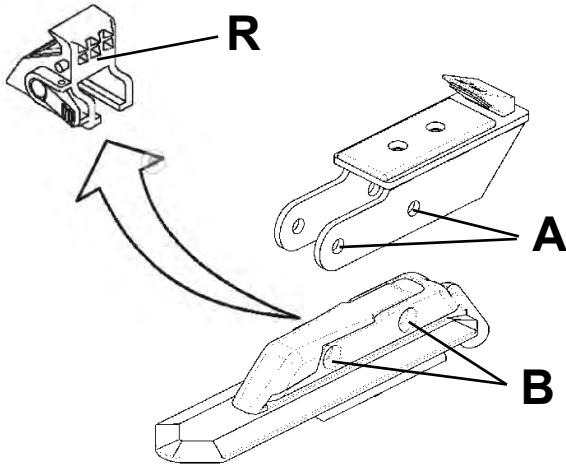
**THIS EQUIPMENT IS DESIGNED TO RECEIVE ORIGINAL SPARE PARTS AND ACCESSORIES ONLY.**

**THE INSTALLATION SHALL BE CARRIED OUT ONLY BY QUALIFIED PERSONNEL AND WITHIN THE SCOPE OF THE INSTRUCTIONS PROVIDED IN THIS MANUAL.**

**IN CASE A DEFECTIVE FUNCTIONING CONDITION IS DETECTED, STOP USING THE MACHINE AND CALL THE AUTHORIZED JOHN BEAN DISTRIBUTOR FOR ASSISTANCE.**

## 2.0 Accessories Installation

### 2.1 Installing the Kit: EAA0332G91A - SLIDING JAW +4 INCH KIT (optional)



2.0-1

**WARNING**

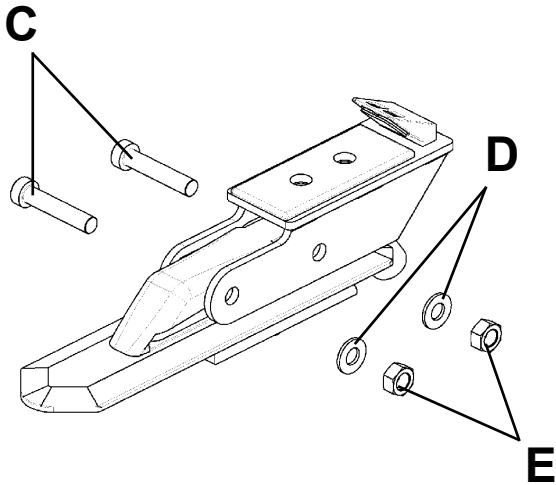
**BEFORE INSTALLATION, DISCONNECT THE TIRE CHANGER FROM THE ELECTRICITY AND COMPRESSED AIR SUPPLIES.**

See **Figure 2.0-1**

1) Remove the standard jaws (**R**), present on the tire changer turntable.

2) Insert the +4" jaws supplied in the kit on the turntable sliding parts and align the side holes (**A**) with the holes (**B**) in the sliding parts.

**CAUTION: SECURE THE SLIDING PARTS WITH BOTH SCREWS IN THE HOLES PREPARED.**



2.0-2

See **Figure 2.0-2**

3) Insert the screws (**C**) in the side holes in the jaws, put the washers (**D**) on the opposite side and secure with the nuts (**E**).

**NOTE:** If the holes (**B**) in the sliding parts are blocked by dirt, clean them by **MANUALLY** inserting an 8 mm diameter spiral bit in them several times.

**CAUTION: AFTER INSTALLATION, THE JAWS MUST BE EQUIDISTANT FROM THE CENTRE OF THE TURNTABLE.**

## 2.2 Installing the Kit: EAA0304G80A -

### RAPID CHANGE-OVER KIT FOR TOOL WITH +4" EXTENSION (optional)

**WARNING**  
BEFORE INSTALLATION, DISCONNECT THE TIRE CHANGER FROM THE ELECTRICITY AND COMPRESSED AIR SUPPLIES.

#### Preliminary operations

See Figure 2.0-3

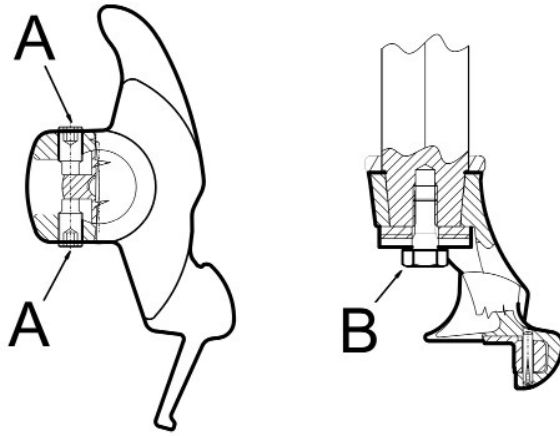
- 1) Remove the two screws (A) from the tool fitted on the tire changer.
- 2) Unscrew and remove the fixing screw (B) underneath the tool.
- 3) If the tire changer has a mechanical lever for locking the hexagonal rod, operate the lever to clamp the rod. Memorise the position of the tool, then remove it from the hexagonal rod.

**N.B.:** The hexagonal rod will have to be held back by hand to prevent the vertical spring from pushing it out upwards.

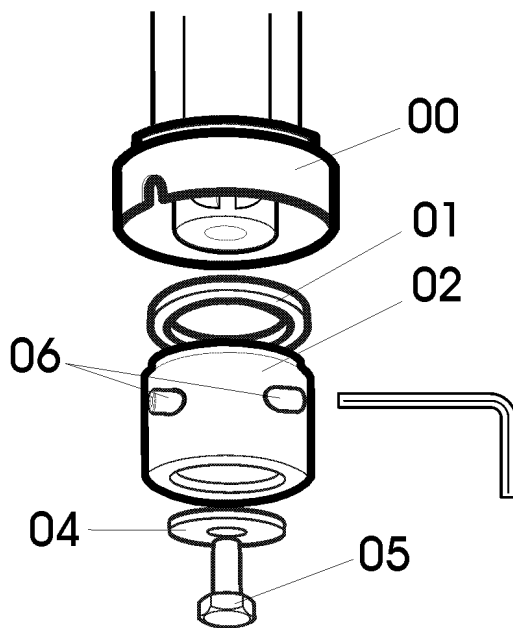
#### Installing the Kit

See Figure 2.0-4

- 4) Insert the threaded ring nut (C), the washer 41x53x2 (D) and place the connection bush (E) on the hexagonal rod, positioned so that the holes for the adjuster screws are facing upward and in line with the holes in the rod.
- 5) Screw in the screw 10x20 (G) by hand, without tightening, also fitting the washer 10x32 (H).
- 6) Screw in the two screws (F) supplied in the kit by the same amount, without tightening, so that the bush remains centred.
- 7) Tighten the screws (F) fully, tightening them by small amounts in turn, then to conclude tighten the screw underneath (G).



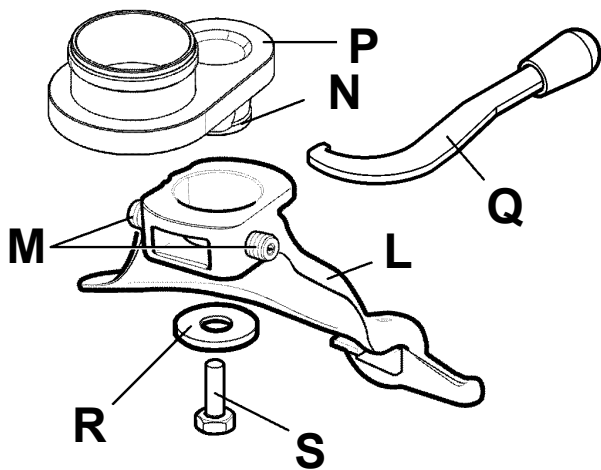
2.0-3



2.0-4

### Installing the tool supplied in the Kit

See **Figure 2.0-5**



2.0-5

8) Fit the tool supplied in the Kit (L) on the snap connection for the extension, positioned so that the adjuster screws (M) are in line with the seats (N) on the hub of the connection.

9) Screw in the screws (M) on the tool by the same amount, without tightening fully.

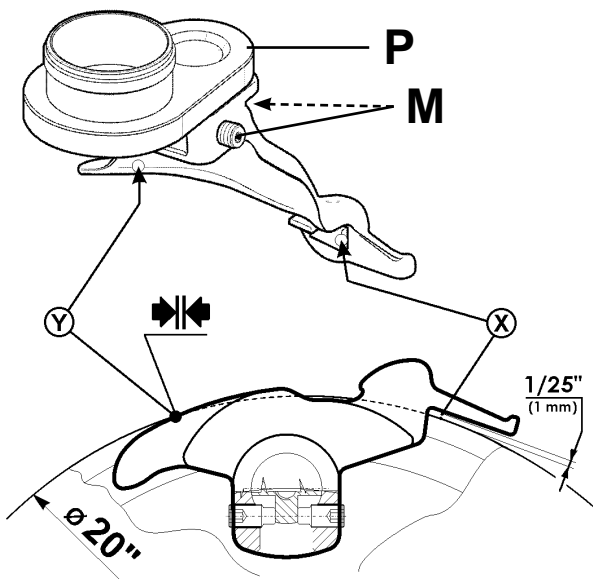
10) Screw in the screw 10x30 (S) with the washer 10x38 (R) by hand, without tightening fully.

11) Fit the assembly formed as described onto the bush previously fitted. Tighten the ring nut with the wrench supplied in the kit (Q).

**N.B.:** Place the tool in the same position as the original removed from the tire changer.

### Adjusting the tool:

See **Figure 2.0-6**



2.0-6

After the tool has been fitted on the snap connection, it must be adjusted by means of the two screws (M) to position the tool correctly in relation to the wheels on which it is to work.

12) Connect the tire changer to the electricity and compressed air supplies.

13) Clamp a new rim or a rim in good condition with 20" diameter on the turntable.

14) Loosen the two screws (M) and the screw underneath so that the tool is not rigidly locked in place but can turn through a small sector relative to the support hub (P).

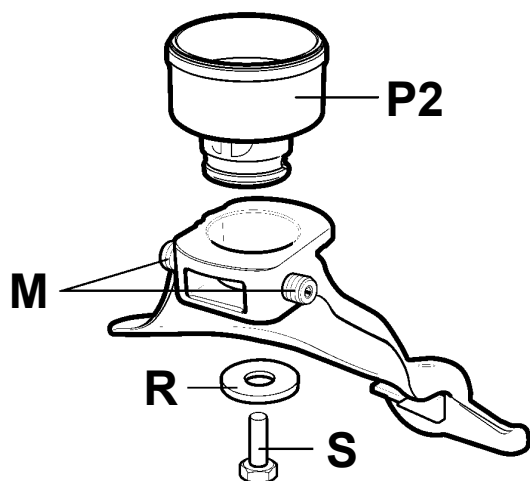
15) Move the tool towards the edge of the rim, as for normal operation, then lock it in position.

16) Tighten one of the two adjuster screws until the inside of the claw of the tool is about 1/25" (1 mm) from the edge of the rim, as indicated by point (X) and on the opposite side of the tool the edge of the tool is aligned with the edge of the rim, as indicated by point (Y).

17) Tighten both screws, keeping the tool in this position. Move the tool away from the edge of the rim, then tighten the screw (S Fig. 2.0-5) with a torque of 35 Nm.

## Installing and Adjusting the original tire changer tool

See **Figure 2.0-7**



**2.0-7**

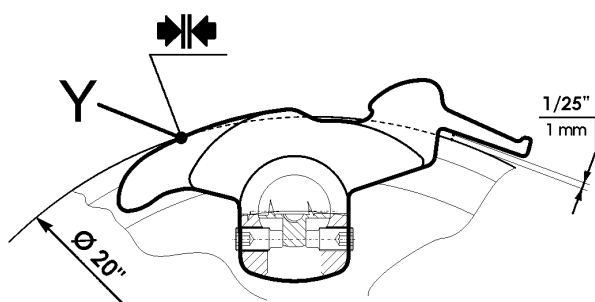
18) Fix the tool previously removed from the tire changer onto the second snap connection (**P2**) supplied with the kit. Repeat the installation operations in points 8 to 11 of these instructions.

19) Adjust as already described in points 14 and 15.

20) Tighten one of the two adjuster screws until the inside of the claw of the tool is about 1/25" (1 mm) from the edge of the rim, and at the same time, the edge of the tool is flush with the edge of the rim on the opposite side of the tool in the point shown in the diagram (**Y Fig. 2.0-8**).

21) Complete the adjustment by proceeding as indicated in point 17.

22) Remove the rim from the turntable.



**2.0-8**

### The kit is now ready for use.

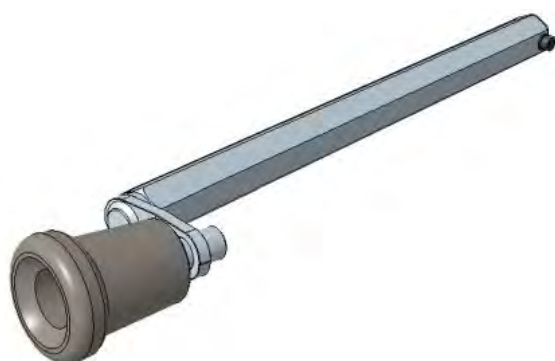
You can use the standard tool for conventional rims or, if you need to handle rims with a diameter greater than the tire changer's rated capacity, rapidly substitute it with the tool with the +4 inch extension.

Tool change-over is extremely fast, allowing you to work on rims with a diameter up to four inches larger than the maximum permitted on your tire changer..

## 2.3 Hexagonal bar with offset roller Kit EAA0507G98A (optional)

### Installing the Horizontal hexagonal bar:

- Insert the hexagonal rod with the roller in the lower seat of the mobile guide, as shown figure **2.0-9**.



**2.0-9**

**WARNING: INCORRECT ROD INSTALLATION CAN DAMAGE THE TYRE.**

### 3.0 Controls

Before operating the machine, ensure that you have well understood the operation and function of all the controls (Fig.3.0-1).

**A.** Press down and release, WITH LEFT FOOT, the first pedal from the left: the column tilts backwards. Do it again: the column tilts forward.

**WARNING**  
**DANGER OF BODY CRUSHING**

TO MINIMIZE THE RISK OF SCRATCHING ALLOY RIMS, THESE SHOULD BE CLAMPED FROM THE OUTSIDE.

**B.** Press down and release, WITH LEFT FOOT, the second pedal from the left: the clamps of the turntable will retract. Do it again: the clamps will expand. If you press the pedal prior to the end of the stroke and release, the clamps may be stopped in any position.

**WARNING!**  
**KEEP HANDS AND FINGERS AWAY FROM THE RIM.**

**C.** Press down and hold, WITH RIGHT FOOT, the first pedal from the right: the turntable turns clockwise.

1. 3/4 down approximately, the turntable rotates at the minimum speed. The torque is maximum in this condition.

2. All the way down the turntable rotates at the maximum speed (only for 220V). Lift the pedal and the turntable turns counter-clockwise.

**D.** Open the bead breaker arm. Press down and hold, WITH RIGHT FOOT, the second pedal from the right: by doing this you operate the bead breaker blade and the arm will move towards the machine. Release the pedal: the bead breaker blade will retract.

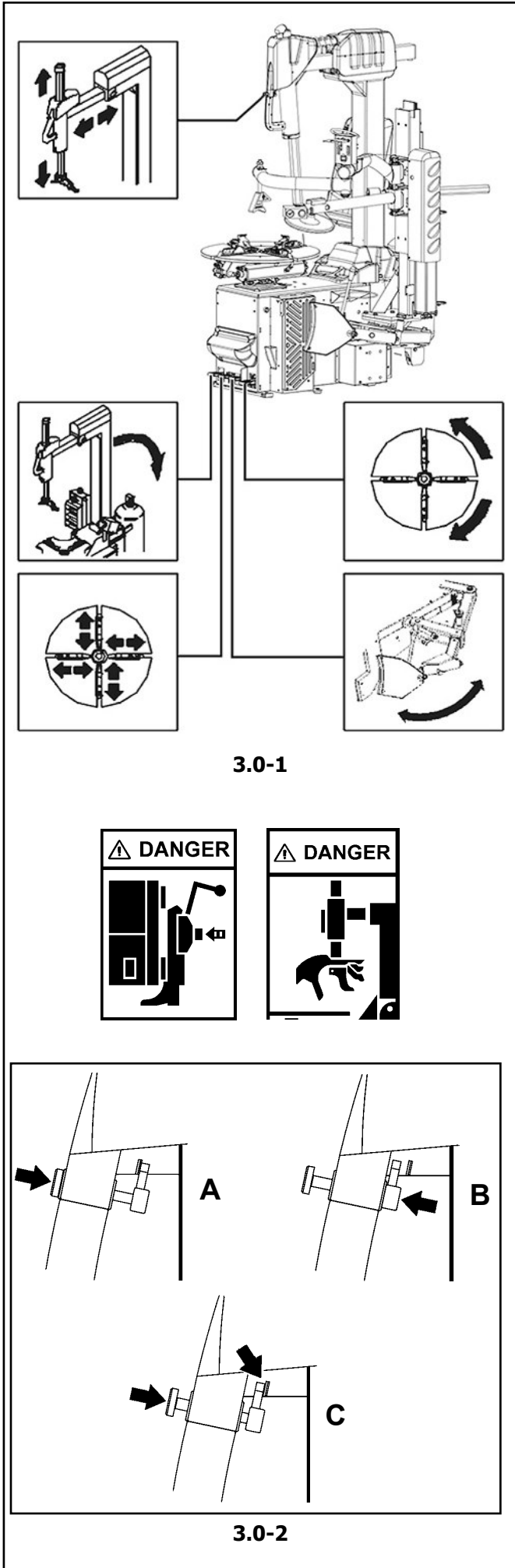
**E.** The push button on the handle allows to release the arms and position the mount/demount tool in the correct position.

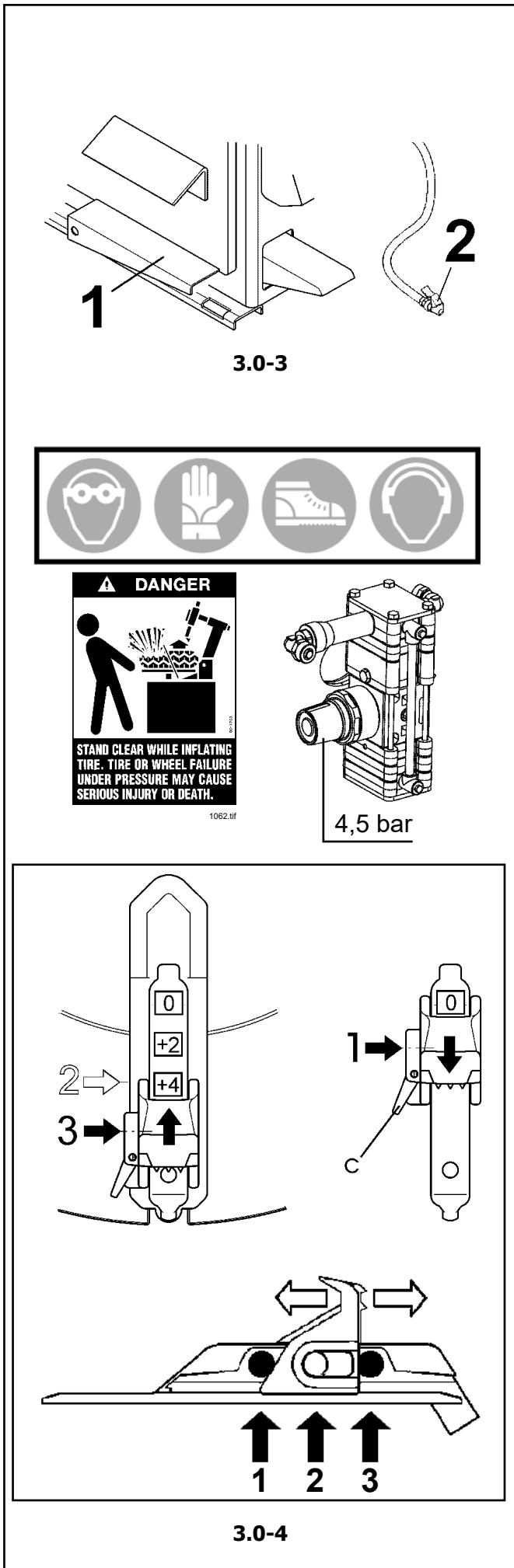
1. To unlock and let the slide with the tool go up: push the button firmly with the forefinger, in the direction of the arrow (A Fig. 3.0-2).

2. To unlock and let the slide with the tool go down: push the button with the thumb in the direction of the arrow, until the resistance increases (B Fig. 3.0-2).

3. To lock: push the button firmly with the thumb (C Fig. 3.0-2).

**ATTENTION!**  
**DANGER OF HAND CRUSHING**





**F.** Press bead seater/inflator pedal on left side of the machine down (1, Fig. 3.0-3): air will come from inflation hose end.

**Only for Tubeless wheel models:**

**F1.** Press bead seater/inflator pedal (1, Fig. 3.0-3) on left side of the machine half way down: air will come from inflation hose end only (2, Fig. 3.0-3).

**F2.** Press bead-seater pedal down swiftly to get air blast from the inflator jets. Air simultaneously comes out of inflator hose (2, Fig. 3.0-3).

**Note:** Air simultaneously continues to exit the hose connected to the tire.

**WARNING:**  
ONCE BEADING IS COMPLETE, IMMEDIATELY STOP INTRODUCING AIR.

WHEN OPERATING THE BEADING DEVICE IT IS MANDATORY TO WEAR EAR PROTECTORS AND SAFETY GLASSES TO PREVENT CONTAMINATION FROM NOISE, DUST AND CHIPS BLOWN BY THE AIR JET.

**DANGER OF TIRE EXPLOSION**

**Note:** For safety reasons a quick-inflating valve preset to 4,5 bar is fitted upstream of the pressure gauge for the pedal-operated inflating device.

**Presetting of clamping jaws:**

**N.B.:** Turntable capacity can be changed before pedal control.

The turntable jaws can be positioned in three different ways (Fig. 3.0-4). Push the lever (C) on the left side of each jaw and shift at the same each one (0/+2"/4").

**VERY IMPORTANT:** LOOK FOR PROPER INSERTION OF THE PIN

**CAUTION!** MAKE SURE ALL FOUR CLAMPING JAWS ARE MOUNTED IDENTICALLY (1 OR 2, FIG. 4.1-5). OTHERWISE THE RIM MAY COME LOOSE AND INJURE THE OPERATOR!

## 4.0 Mounting And Demounting Precautions

### IMPORTANT!

BEFORE MOUNTING A TIRE ON A RIM ENSURE THE FOLLOWING RULES ARE OBSERVED:

**A. THE RIM MUST BE CLEAN AND IN GOOD CONDITION: IF NECESSARY CLEAN AND PAINT AFTER REMOVING ALL WHEEL-WEIGHTS INCLUDING 'TAPE WEIGHTS' INSIDE THE RIM.**

**B. THE TIRE MUST BE CLEAN AND DRY, WITH NO DAMAGE TO THE BEAD AND THE CASING.**

**C. REPLACE THE RUBBER VALVE STEM WITH A NEW ONE OR REPLACE THE 'O' RING IF THE VALVE STEM IS MADE OF METAL.**

**D. IF THE TIRE REQUIRES A TUBE, MAKE SURE THE TUBE IS DRY AND IN GOOD CONDITION.**

**E. LUBRICATION IS NECESSARY FOR CORRECT MOUNTING OF THE TIRE AND PROPER CENTERING. USE ONLY AN APPROVED LUBRICANT FOR TIRES.**

**F. MAKE SURE THE TIRE IS THE CORRECT SIZE FOR THE RIM.**

### 4.1 Demounting Tubeless Tires

**A. Remove all wheel-weights from the rim. Remove the valve stem or core and deflate the tire (Fig. 4.1-1).**

**NOTE:** If the tire is over 13" (340 mm) wide, first set the bead breaker in the "Wide" position as follow:

**1) Pull up and hold pin (1, Fig. 4.1-2), and pull the bead breaker assembly in the "Wide" position.**

**2) Release pin (1, Fig. 4.1-2) in its hole to lock the bead breaker in the new position.**

**3) To lock or unlock the blade rotation insert or remove the pin (2, Fig. 4.1-2).**

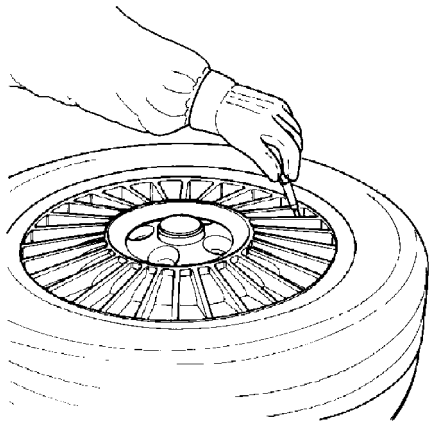
**B. Break both beads.**

Pay extra attention during this operation as it easy to mistakenly keep your foot on the bead breaker pedal too long.

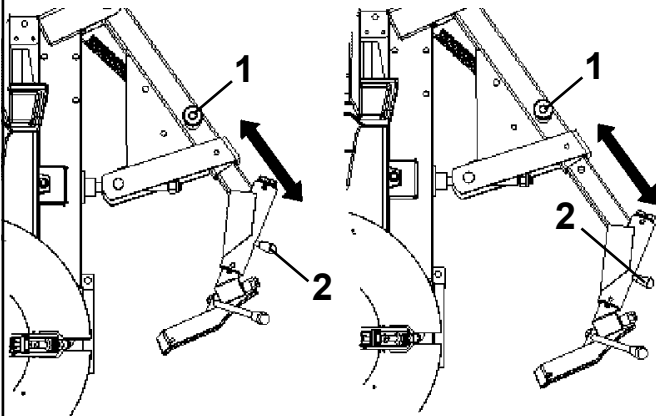
This could result in immediate bead damage (Fig. 4.1-3)

#### WARNING

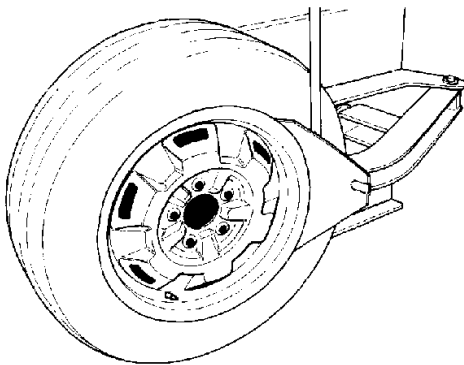
ON CHEVROLET CORVETTE WHEELS WITH THE OPTIONAL LOW PRESSURE SENSOR INSTALLED, BREAK THE BEAD AT 90 DEGREES OFFSET FROM THE VALVE STEM. DAMAGE TO THE WHEEL WILL RESULT IF THE BEAD IS BROKEN AT ANY OTHER POINT ON THE RIM.



4.1-1

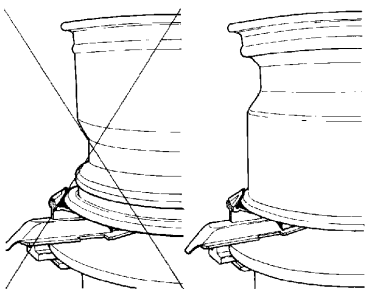


4.1-2

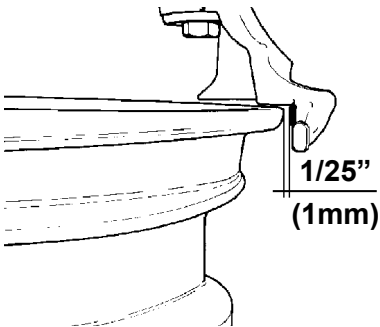


4.1-3

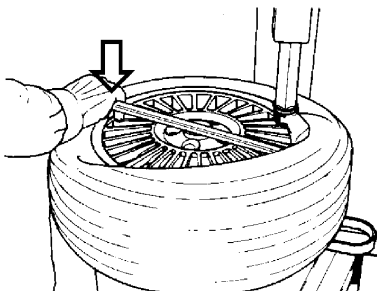




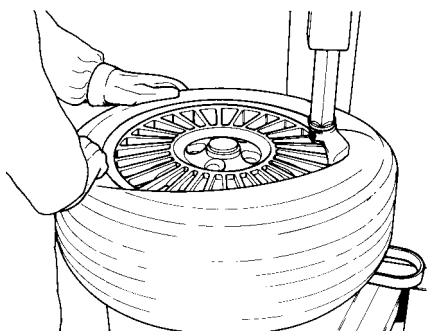
4.1-4



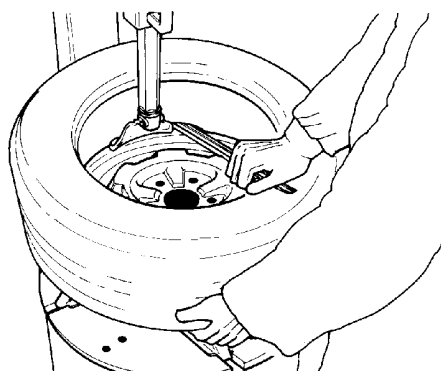
4.1-5



4.1-6



4.1-7



4.1-8

**C.** Set the rim clamps to the proper position: retract clamps to clamp the wheel from the inside and expand clamps to clamp from the outside.

Clamping the wheels from the outside set the clamps at diameter nearly equal to the rim diameter, before placing the wheel on the clamps. This will avoid the risk of pinching the tire.

**WARNING**

TO MINIMIZE THE RISK OF SCRATCHING ALLOY RIMS, THESE SHOULD BE CLAMPED FROM THE OUTSIDE

**WARNING!**

**KEEP HANDS AND FINGERS AWAY FROM THE RIM.**

**D.** Liberally lubricate both beads.

Place the wheel **WITH DROP CENTER UP** (Fig. 4.1-4) on the turntable, and clamp in position. Hold the tire and wheel down while clamping.

**E.** Position the mount/demount head in contact with the rim edge and lock it into place: the tool automatically moves away from the rim edge vertically. Turn the adjustment knob until the mount/demount head clears from the rim flange about 1/25" (1 mm): this is necessary to avoid rim damage (Fig. 4.1-5).

**NOTE:**

The plastic insert inside the mount/demount tool must be periodically replaced. Every machine is equipped with several plastic inserts (inside standard equipment box). If desired, a steel roller also included in the standard equipment box may replace the plastic insert. Follow the instructions included with the replacement parts.

**NOTE:**

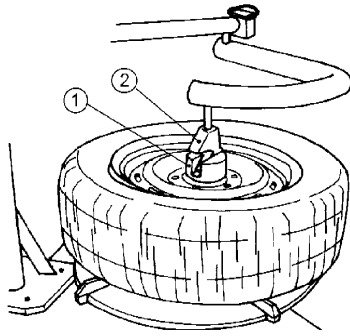
Once the mount/demount head is positioned properly, matching wheels may be changed without having to reset the head.

**F.** Insert the bead-lifting tool under the bead and over the support of the mount/demount tool. Lift the bead onto the mounting finger. To facilitate this operation, press with left hand on the bead in position diametrically opposite to that of the tool. If desired, the bead-lifting tool can be removed after lifting the bead onto the finger (Fig. 4.1-6).

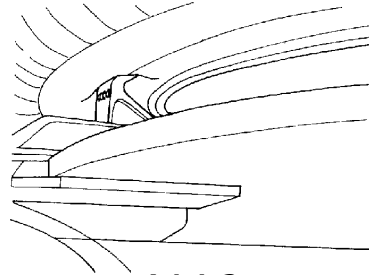
**G.** Rotate the turntable clockwise and at the same time push down on the tire sidewall to move the bead into the drop-center of the rim (Fig. 4.1-7).

**H.** Repeat the process for removing the lower bead. With left hand, lift the bead in position diametrically opposite the tool to keep it in the drop center (Fig. 4.1-8). Move the swing arm aside and remove the tire.

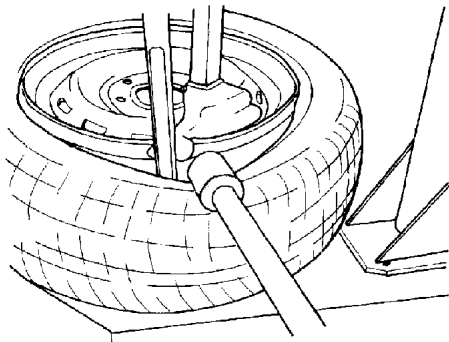
**4.1.1 Use the bead presser as a demounting help device.**



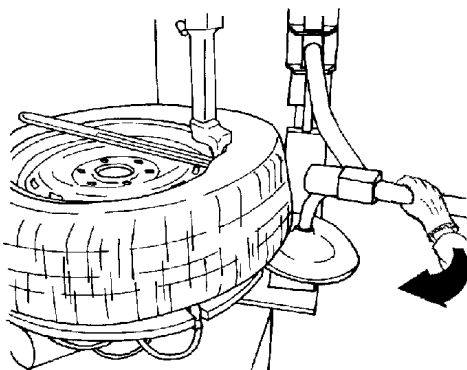
**4.1.1-1**



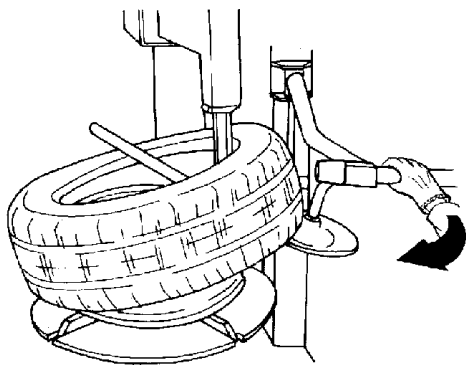
**4.1.1-2**



**4.1.1-3**



**4.1.1-4**



**4.1.1-5**

**A.** In order to make the locking of hard or lowered tires easier, the operator can use the rim pusher provided with the bead pusher. Apply the rim pusher (Item 1, Fig.4.1.1-1) on the bead pusher tool (Item 2), position it at the centre of the rim (Fig.4.1.1-1) and low the rim as far as the clamps can lock the rim (Fig.4.1.1-2).

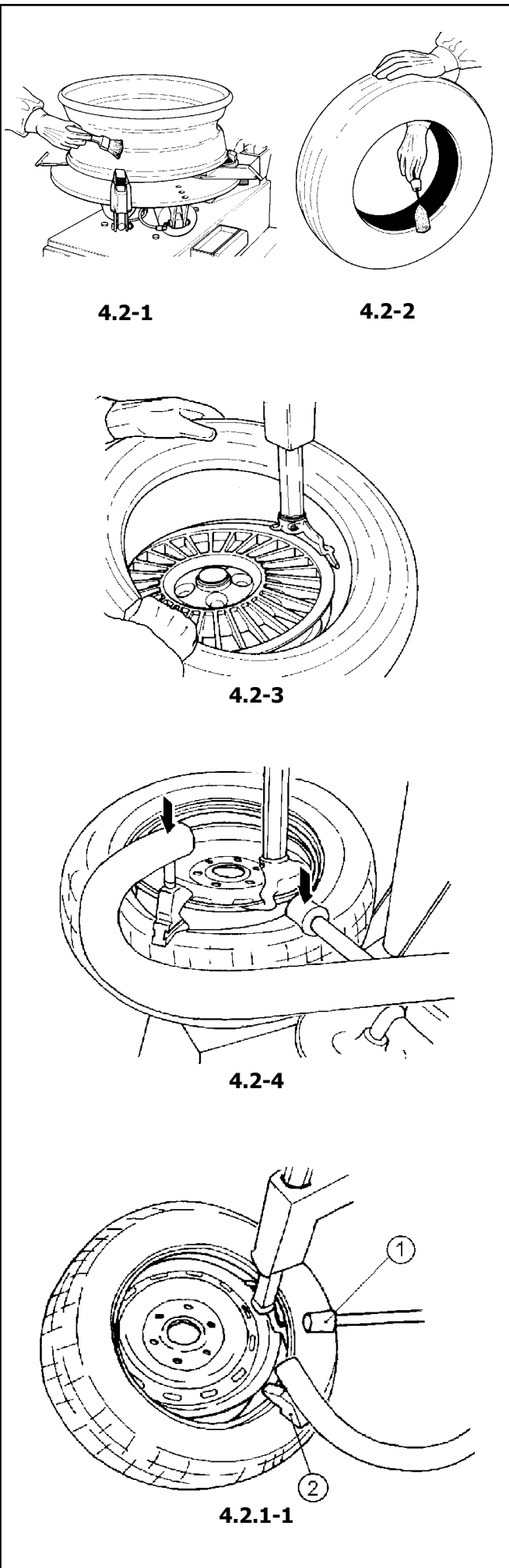
**B.** Position the roller approx. 2 cm (3/4") from the rim edge. Press down the sidewall of the tire to ease the introduction of the tire bar (Fig. 4.1.1-3). Move the roller to rest position. To facilitate the lift of the bead on the head tool, position the lower disk next to the edge of the lower rim edge, hold firmly the arm of the disk and start the lifting of the device (Fig.4.1.1-4). Demount the first bead as described in the tire changer operator's manual.

**C.** Position the lower disk next to the lower rim edge. Hold firmly the handle, and at the same time rotate the turntable (Fig. 4.1.1-5). This operation allows loosening the bead if this is stuck and helps lifting the tire.

**NOTE:** A certain effort on the handle of the lower disk in radial direction is normal to counter-balance the action of the turntable that pushes the disk off the center when rotating.

**THE LOWER DISK DEVICE CANNOT BE LOCKED BECAUSE OF SAFETY REASONS.**

## 4.2 Mounting tubeless tires



4.2-1

4.2-2

4.2-3

4.2-4

4.2.1-1

- A.** Lubricate the entire rim surface (Fig. 4.2-1).  
Lubricate both beads, inside and outside, (Fig. 4.2-2).

**WARNING**

LIBERAL LUBRICATION OF THE TIRE AND RIM IS NECESSARY TO MOUNT TIRE CENTERING CORRECTLY AND GET A PROPER ON THE RIM. BE SURE YOU ARE USING APPROVED LUBRICANT ONLY.

**WARNING**

OBSERVE THE ROTATION DIRECTION OF THE TIRE, IF REQUIRED. SOME TIRES HAVE A COLOR DOT THAT MUST BE KEPT ON THE OUTSIDE OF THE WHEEL.

- B.** Lock the rim on the turntable and rotate it to have the valve in 5 o'clock position. Place the tire to be mounted on the rim. Swing the mounting arm forward so that the mount/demount tool is in the working position. Engage the lower bead OVER the mounting wing and UNDER the mounting finger of the mounting tool. Turn the wheel clockwise and push the tire down into the drop center, opposite to the mount/demount head (Fig. 4.2-3).

- C.** Mount the upper bead following the directions in section B (Fig. 4.2-4). With low profile tires the pneumatic bead holding and mounting tool "MH320 Pro" can help to facilitate mounting of the top bead.

### 4.2.1 Use the bead presser as a mounting help device.

- A.** Mount the first bead.  
Position the roller (Item 1) and the bead pusher tool (Item 2) as showed in Fig. 4.2.1-1.

- B.** Lower the bead pusher so that the roller and the bead pusher tool on the tire help keeping the bead into the drop center (Fig. 4.2-4).  
The bead pusher tool follows the tire rotation during the mounting operation.  
Bring the roller and the bead pusher tool back to rest position.

## 4.3 Beading the tires

**Beading** means the initial grip of the tire bead on the rim, in order to allow the inflation operations and subsequent settling in the seat on the rim.

### Safety Precautions:

---

**WARNING:** DO NOT USE THE TIRE CHANGER TO INFLATE TIRES.

---

**COMPRESSED AIR DEVICES ON THE TIRE CHANGER ARE ONLY DESIGNED TO FACILITATE THE TUBELESS TIRE BEADING OPERATION.**

---

NEVER EXCEED THE MAXIMUM PRESSURE ALLOWED BY THE TIRE MANUFACTURER.

---



---

THE OPERATOR MUST STAND CLEAR FROM THE WHEEL WHEN BEADING the tire, AND PRESSURE MUST BE MONITORED FREQUENTLY TO AVOID EXCESSIVE PRESSURE.

---



---

BEFORE BEADING, CHECK THE CONDITION OF TIRE AND RIM.

---



---

CHECK FOR CORRECT SEALING BETWEEN THE VALVE AND THE FITTING AT THE END OF THE AIR HOSE. AN AIR LEAK CAN GIVE INCORRECT PRESSURE READINGS AND CREATE SAFETY HAZARDS

---



---

CHECK THAT THE READING ON THE PRESSURE GAUGE IS "ZERO" WHEN IT IS NOT IN USE.

---



---

THE COMPLETE SEATING THE BEAD ON THE RIM IS A VERY DANGEROUS STAGE OF THE TIRE MOUNTING PROCEDURE.

---



---

TO COMPLETE THE BEADING OPERATION AND INFLATE THE TIRE CORRECTLY, PLACE IT IN AN APPROPRIATE TYPE APPROVED CAGE.

---



---

A TIRE BURST, WHATEVER ITS CAUSE, CAN RESULT IN SERIOUS INJURY OR DEATH.

---

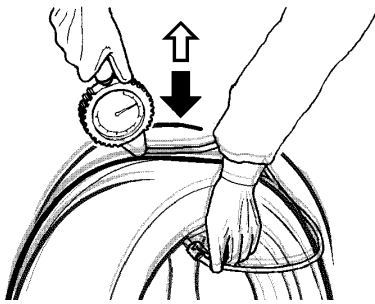


---

AVOID MOUNTING TIRES THAT ARE 1/2" SMALLER IN DIAMETER THAN THE RIM, DOING SO FAILS TO ENSURE THAT THE BEADS ARE SEALED PROPERLY IN THEIR SEATS: THIS COULD BE A SOURCE OF DANGER WHEN DRIVING.

---





4.3-1

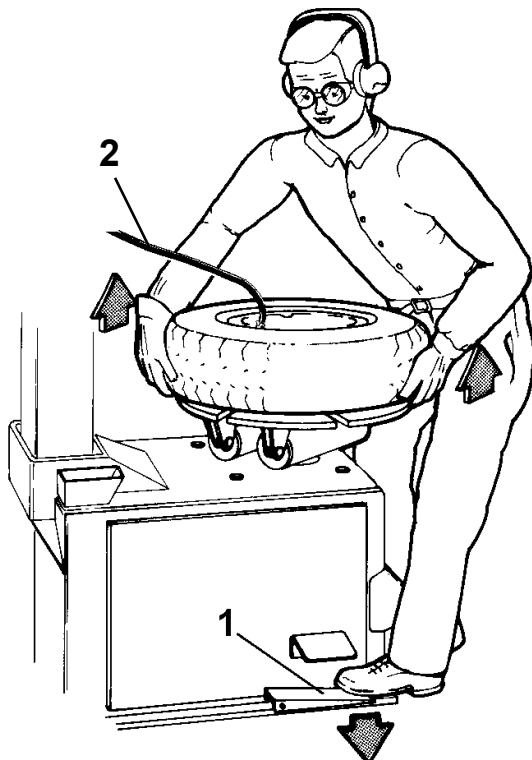
- Place the wheel in a type approved device to finish inflating and completely settle the beads in their seats on the rim.

Beading tubeless tires is sometimes difficult because the beads may be very close together (e.g. owing to incorrect stacking) and so fail to seal against the rim properly. In this event it may be helpful to place the wheel on the floor in a vertical position and 'bounce' it while introducing air with the pedal control or with the Inflator Gauge (**Figure 4.3-1**).

**Beading with the GP device:**

The machine can be provided with a GP device, necessary for bead seating of tubeless tires.

(**Figure 4.3-2**)



4.3-2

- If possible lock the wheel from inside. Outside locking reduces efficiency of the bead seater.
- Connect the compressed air hose to the valve (2).
- Lift the tire with both hands so that upper bead is sealed to the rim edge (**Fig. 4.3-2**).
- Press the inflation pedal (1) down swiftly. The top bead is already sealed by the lifting motion. The air from the bead seater jets will rebound into the bottom sidewall driving it into place and creating a seal.

**STOP THE COMPRESSED AIR AS SOON AS THE BEADS GRIP THE RIM WELL.**

- Place the wheel in a type approved cage to finish inflating and completely settle the beads in their seats on the rim.

(**Figure 4.3-3**)

**WARNING:** WHEN OPERATING THE BEADING DEVICE IT IS COMPULSORY TO WEAR EAR DEFENDERS TO PROTECT AGAINST NOISE AND SAFETY GOGGLES TO PREVENT ANY CONTAMINATION BY DUST AND OTHER IMPURITIES BLOWN BY THE AIR JETS.



4.3-3

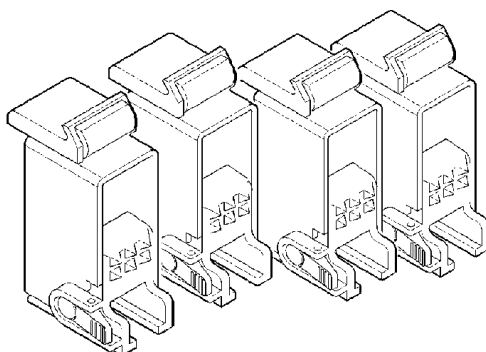
**4.4 Mounting and Demounting Motorcycle Tires (optional)**

To mount and demount motorcycle, motor scooter or ATV tires it is necessary to utilize the optional adaptors kit (EAA0329G53A) (**Figure 4.3-4**) and the small-wheel bead breaker blade.

The bead breaking, mounting and demounting technique is the same as per car tires.

**NOTE:** If the top tire bead is difficult to mount, see paragraph 4.2.1.

**WARNING!** MOTORCYCLE RIMS MUST ALWAYS BE CLAMPED FROM THE OUTSIDE.



4.3-4

## 5.0 Demounting tube-type tires

**A.** For breaking the bead operate as described for the tubeless tires in § 4.1.A to 4.1.F.

In this case, the valve is part of the tube.

### WARNING

BE CAREFUL NOT TO DAMAGE THE TUBE DURING THE BEAD-BREAKING OPERATION. THE VALVE SHOULD BE OPPOSITE TO THE BLADE OF THE BEAD BREAKER.

**NOTE:** In order to avoid damage to their surface finish, alloy rims should be clamped from the outside only.

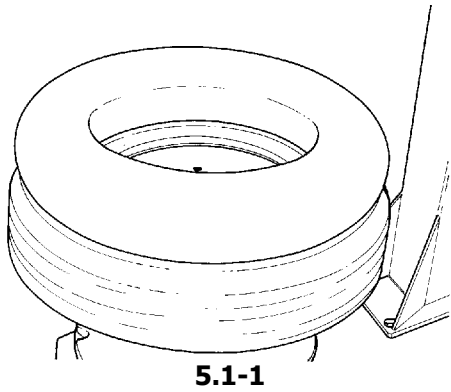
Special plastic caps are available as optional extras for the clamping jaws so that alloy rims can be clamped carefully.

**B.** To demount the first bead, place the valve at 3 o'clock position.

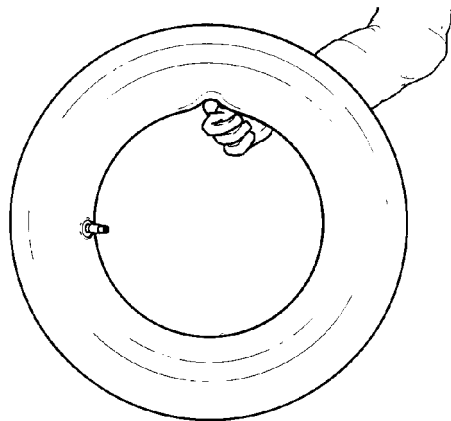
### WARNING

DO NOT CATCH THE TUBE WITH THE BEAD LIFTING TOOL, WHEN LIFTING THE BEAD ON THE MOUNTING FINGER

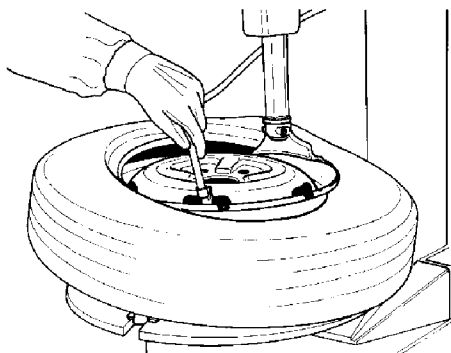
After demounting the first bead remove the tube before demounting the second bead, as described in section 4.1.



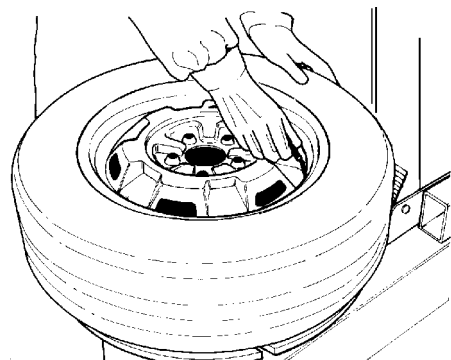
5.1-1



5.1-2



5.1-3



5.2-1

## 5.1 Mounting tube-type tires

**A.** Proceed as described in section 4.2.A. Do NOT lubricate the tube. Talc can be used to assist with the tube positioning.

**B.** Mount the valve core and place the tube onto the tire to confirm that the tube is of the correct size (**Fig. 5.1-1**).

**C.** Inflate the tube slightly: if held with the index finger it should bend a little (**Fig. 5.1-2**).

**D.** Mount the first bead as described in section 4.2.B. Put the tube inside the tire and secure the valve with the chuck of the inflating hose (**Fig. 5.1-3**). Mount the top bead following the directions above.

## 5.2 Inflating tube-type tires

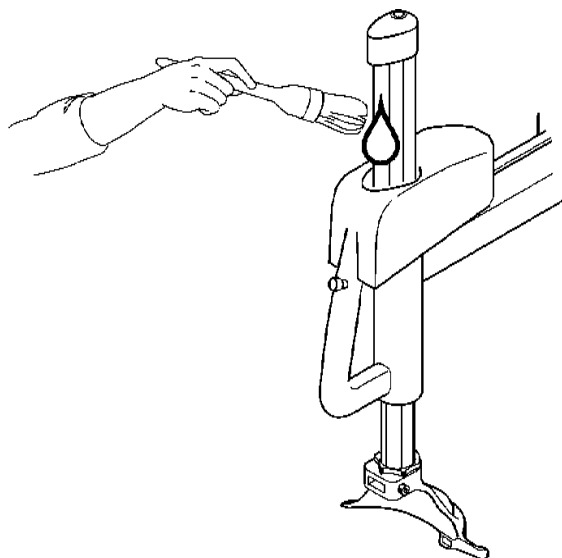
To inflate the tires unlock the rim and start inflating while pressing the valve towards the inside. This is necessary to avoid air pockets forming between tube and tire (**Fig. 5.2-1**).

Ensure that the tire is correctly centered on the rim and complete inflation as described in section 4.3.

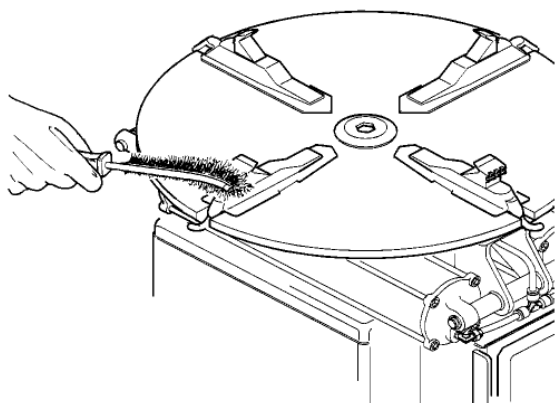
## 6.0 maintenance

### WARNING

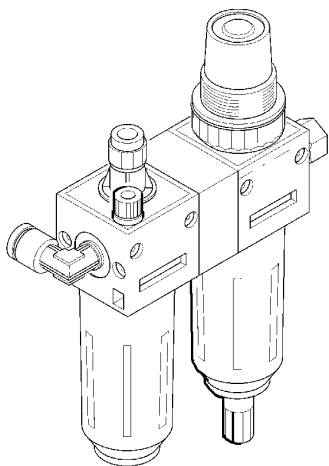
**BEFORE ATTEMPTING ANY MAINTENANCE OR REPAIRS THE MACHINE MUST BE DISCONNECTED FROM THE AIR AND ELECTRIC SUPPLY.**



**6.0-1**



**6.0-2**



**6.0-3**

**A.** Periodically clean the vertical hexagonal rod with nonflammable liquid detergent. Lubricate with oil (**Fig. 6.0-1**).

**B.** Periodically clean all moving metal parts and lubricate with oil.

**C.** Clean the teeth of the clamps with a wire brush, check the plastic rim protectors and replace if worn (**Fig. 6.0-2**).

**D.** Periodically replaced the plastic insert inside mount/ demount tool.

**E.** Lubricate rods of air cylinders with oil as needed.

**F.** Periodically wash all plastic parts with cold water and soap or window cleaner.

**G.** Check the bead breaker pads. Replace if worn.

**H.** Discharge the water every day from air filter

**I.** The machine is equipped with an automatic lubricator. Check the oil level weekly (**Fig. 6.0-3**).

When adding oil to the lubricator, disconnect the air supply first, remove the fill screw 'A', and add oil as needed. Make sure seals are in place when repositioning the cup Drain water daily from water separator. Do this by pulling down the fitting 'B'.

### WARNING!

PAY ATTENTION TO KEEP FILLED THE OIL TANK OF THE OILER, EXPECIALLY FOR AIR MOTOR OPERATED MACHINES.

### WARNING!

USE ONLY OILS FOR AIR DEVICES, DO NOT USE BRAKE FLUID OR OTHER NOT SUGGESTED LUBRICANTS.

Suggested oils for the filter/lubricator unit:

WHITE MINERAL OIL: 15 cSt

TAMOIL	: WHITE MINERAL OIL 15
SHELL	: ONDINA OIL 15
BP	: ENERGOL WT3
TOTAL	: LOBELIA SB 15
ESSO	: MARCOL 82

## 7.0 DISPOSING OF THE UNIT

To dispose of the equipment at the end of its life, contact the reseller for a quote or for the regulations on disposal which apply to the unit.



This symbol indicates that separate collection of waste electrical and electronic equipment is mandatory for scrapping.

## 7.1 Instructions for disposal

For electrical and electronic equipment European directive 2002/95/EC, 2002/96/CE and 2003/108/EC (RAEE)

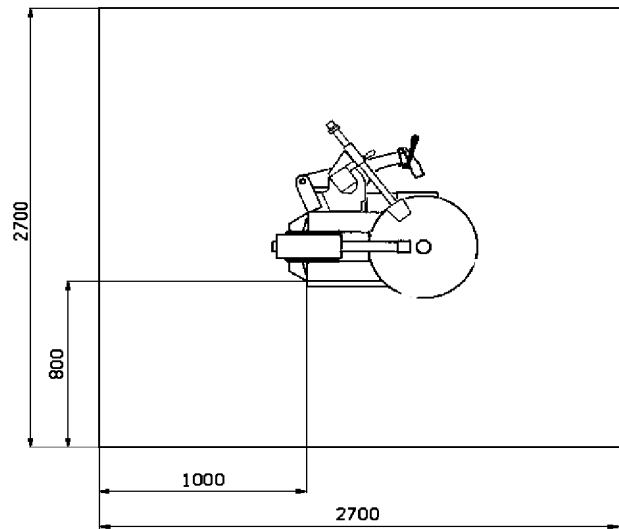
At the time of disposal, at the end of the lifetime of this equipment, you must:

1. Render the machine inoperative, remove the plug and cut off the power supply cable close to where it comes out of the machine.
2. DO NOT dispose of the equipment as urban waste and recycle it, by taking the materials to suitable recycling centres.
3. Contact the reseller for the closest authorised recycling centres for the disposal or for the collection of old equipment when purchasing new equipment.
4. Stick to the standards for correct waste management, to prevent potential effects on the environment and human health. Unauthorised disposal will result in administrative sanctions for the offenders.

## i Installation requirements

THE INSTALLATION SHALL BE CARRIED OUT ONLY BY QUALIFIED PERSONNEL AND WITHIN THE SCOPE OF THE INSTRUCTIONS PROVIDED IN THIS MANUAL.

Install the machine in a covered and dry area. The installation of the machine requires a free space of at least 270x270cm (106"x106") (Fig.i-1).



**i-1**

Make sure that from the operating position the user can see all of the machine and the surrounding area.

The operator shall forbid, in such an area, the presence of non authorized persons and of objects which may create possible hazards.

The machine shall be installed on a horizontal floor preferably even. Do not install the machine on a sinking or irregular floor.

If the machine is installed on a raised floor, the floor must have a capacity of at least 5000 N/m<sup>2</sup> (500kg/m<sup>2</sup> or 110lbs/sqft). The machine must be secured to the floor through the holes provided in the cabinet.

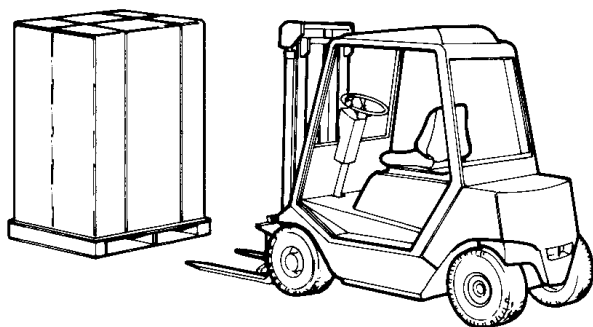
Expansion screws 12x120mm shall be used.

Drill 12mm holes in the floor flush with the holes provided in the cabinet.

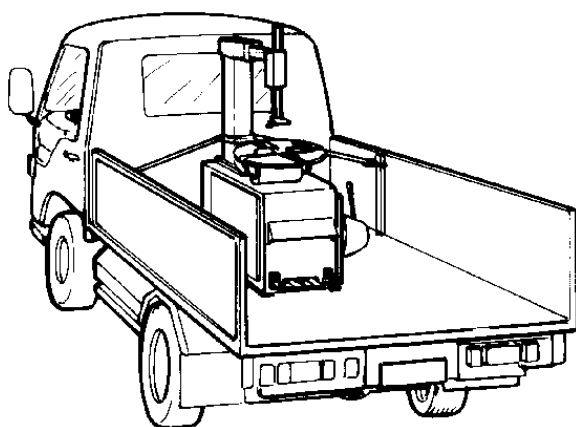
Place the nogs into the holes drilled in the floor and move the machine so that the holes of the cabinet are flush with the holes in the floor. Tighten the screws at 70 Nm (51 ft·lb).



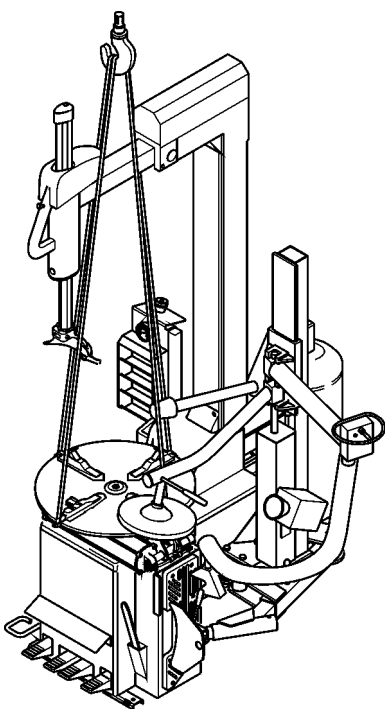
## ii Carriage instructions – Uncrating instructions - Moving the machine



ii-1



ii-2



ii-3

### Carriage instructions

The machine is crated in a corrugated box of appropriate strength. The box is mounted on a pallet. Handling of the machine must be made with an appropriate lifting device (fork lift) (**Fig.ii-1**).

The machine can be alternatively mounted on the pallet with the column assembled. In such a case the machine must be anchored to the transportation vehicle with a belt of appropriate strength rolled around the column (**Fig.ii-2**).

### Uncrating instructions

Uncrate the machine paying attention when cutting the plastic straps or during any other operation which may be hazardous.

After removing the carton check for any visible damage to the machine and its components.

In case of doubt call qualified personnel for assistance.

The packing materials (plastic bags, polystyrene, nails, screws, wood etc.) must be properly disposed of. Place the above mentioned materials into a trash container and dispose per local regulations.

---

**ALWAYS WEAR GLOVES WHEN UNCRATING THE MACHINE TO PREVENT SCRATCHES OR ABRASIONS DUE TO CONTACT WITH PACKING MATERIALS.**

---

### Moving the machine

In case the machine is to be moved from one working place to another, proceed as follows:

Disconnect the machine from the air and electric supply.

Remove from top of the cabinet and turntable all objects that may fall during displacement and create hazard.

Hold the machine as depicted in (**Fig. ii-3**). Use belts of a length of mm 3000 (10ft) and a capacity of kg 500 (1100 lbs). Do not use metal ropes to lift the machine.

### iii Installation procedures

#### Electric installation

**ATTENTION.:** ANY INTERVENTION ON THE ELECTRICAL SYSTEM AND THE CONNECTION OF A PLUG (WHEN NECESSARY), MUST BE PERFORMED ONLY BY A QUALIFIED ELECTRICIAN, IN COMPLIANCE WITH THE APPLICABLE STANDARDS AND NATIONAL LAWS AND/OR LOCAL REGULATIONS.

The standard models of the tyre changers have specific electrical specifications and are supplied according to the different power supplies that they will be connected to; See the table aside

The electric motors operate with a voltage tolerance; equal to more or less 10%.

The power supply cable, which is always provided with the machine, must be fitted with an adequately sized type-approved plug, in compliance with the applicable standards in the destination country.

#### For the installation technician

The qualified electrician, when fitting a plug, must refer to the data clearly set out on the plate found on the machine electrical cable.

The user must ensure that the electrical system that the **115V** machine is connected to is fitted with **30 A** delayed fuses.

**20 A** (25 A for Japan); in case of **230V** machine with INVERTER, or alternatively, an equivalent automatic magneto-thermic switch.

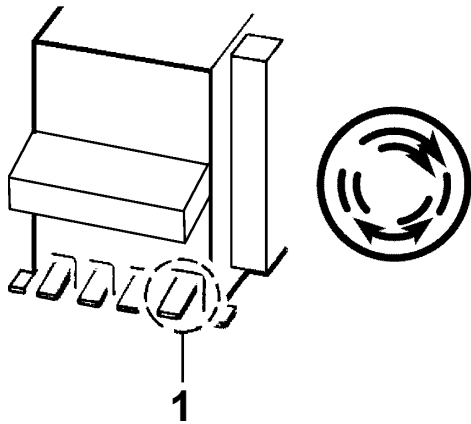
Check that there is an efficient earthing system. Once the connection is complete, press the self-centring rotation pedal downwards (**1**, Fig. iii-1) and check that it rotates clockwise.

Check that the power supply system is fitted with an automatic cut off device against overcurrents, with a differential calibrated to **30 mA**.

**WARNING:** IF INVERTERS ARE PRESENT, ONLY USE TYPE **B** RESIDUAL CURRENT OPERATED CIRCUIT BREAKERS.

**Standard model**  
**1 Phase 1 Speed**  
115 VAC, 1Ph, 60Hz, 12A

**Standard model**  
**1 Phase 2 Speed**  
230 VAC, 1Ph, 50/60Hz, 16A



iii-1

## Pneumatic installation

---

THE AIR INSTALLATION MUST BE PERFORMED ONLY BY LICENSED PERSONNEL.

---

The machine requires an air pressure of 8 to 12 bar (110-170 psi), as marked on the plate of the machine and on a sticker attached to the cabinet next to the air inlet.

Ensure that the line pressure is within the limits required by the machine.

If the air pressure is lower than the minimum required of 8 bar (110psi) the clamping power of the turntable and the bead breaker power may be insufficient for certain tires.

If the air pressure exceeds 12 bar (170 psi) it is mandatory to install a pressure regulator before the air inlet of the machine (on request #4002916).

It is suggested that the air supply be equipped with a water separator to reduce the amount of water at the air inlet.

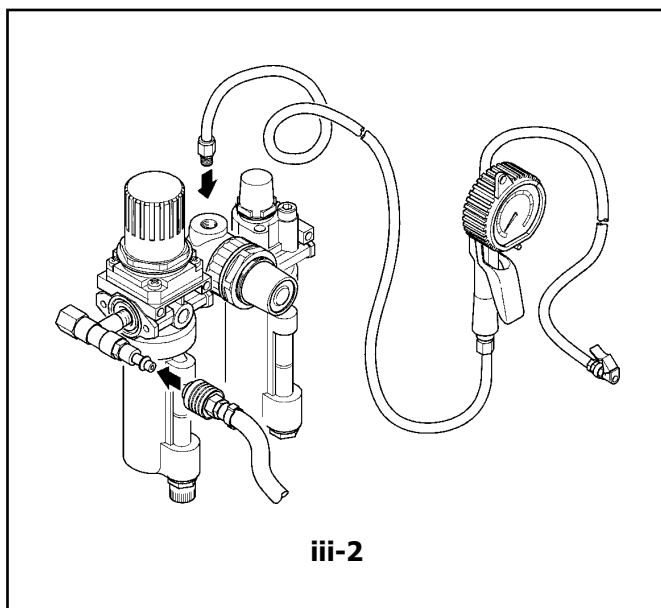
---

BEFORE CONNECTING THE MACHINE TO THE AIR SUPPLY BE SURE THAT NOTHING IS LEFT ON THE TURNTABLE AREA (TOOLS,ETC).

---

After ensuring all the above proceed as follows:

- Connect the rubber hose provided to the inflation gauge and to the air bloc as shown in **Fig. iii-2**.
- To install any accessory on request follow the instructions enclosed with it.
- Connect the machine to the air supply (max. pressure of 12 bar - 170 psi) with a rubber hose (rated for the pressure) with an inside diameter of 6 mm (1/4") (**Fig. iii-2**).



- In case of installation of an air-filter and lubricator, check correct functioning.

## iv Testing procedures

### Motor rotation check

Press down the first pedal on the right : the turntable should rotate clock wise. In case the turntable should rotate counter-clockwise, do not use the tire changer and call the authorized distributor for assistance.

---

ANY DAMAGE CAUSED BY NON APPLICATION OF THE ABOVE INSTRUCTIONS SHALL NOT BE DEBITED TO THE MANUFACTURER AND SHALL VOID THE WARRANTY.

---

### Pneumatic hose connection check

When first setting the machine into operation, check hose connections and unions for leakage.

## v Instructing the operator

*(Following applies only if a unit is installed by a service Technician)*

- Show the operator how to switch the unit on and off.

EN

**Notice:** The information contained in this document is subject to change without notice. **John Bean** makes no warranty with regard to present documentation. **John Bean** shall not be liable for errors contained herein or for incidental consequential damages in connection with furnishings, performance, or use of this material.

This document contains proprietary information which is protected by copyright and patents. All rights are reserved. No part of this document may be photocopied, reproduced, or translated without prior written consent of **John Bean**.

# HOFMANN®



## *monty 3550*

---

Mode d'emploi

Démonte-pneus Automatique



FAMILLE	NOM	DESCRIPTION / CARACTÉRISTIQUES PRINCIPALES
3550	3550 3550 smartSpeed	Basic type - 115 V - single Speed. smartSpeed type - 230 V - two speeds.

## INFORMATION DE SÉCURITÉ

**Pour votre sécurité, lire attentivement ce manuel avant d'utiliser le chargeur de pneus.**

L'utilisation de ce chargeur de pneus est réservée à des techniciens automobile dûment formés. Les messages de sécurité présentés dans cette section et au long de ce manuel constituent des rappels pour que l'opérateur fasse preuve d'une extrême prudence lors de l'entretien des pneus avec ces produits.

Il existe plusieurs variations dans les procédés, techniques, outils et éléments pour le montage et démontage des pneus. Il faut compter également l'habileté du personnel qui réalise la tâche. Étant donné le grand nombre d'applications des roues et des pneus ainsi que l'utilisation potentielle du produit, le fabricant ne peut pas anticiper ou porter conseil ou des messages de sécurité couvrant chaque situation. La responsabilité des connaissances des roues et des pneus à entretenir retombe sur le technicien automobile. Il est essentiel d'utiliser les méthodes d'entretien adéquates de façon appropriée et acceptable afin de ne pas mettre en danger votre sécurité, la sécurité des autres dans la zone de travail ou de l'équipement ou véhicule entretenu.

On estime qu'avant l'utilisation de cet échangeur de pneus, l'opérateur possède une connaissance approfondie des roues et des pneus à entretenir. En outre, il est estimé que le technicien possède une connaissance approfondie de l'opération et des caractéristiques de sécurité du rack, élévateur ou cric rouleuse à utiliser ainsi que l'habileté et les outils électriques nécessaires pour réaliser l'entretien du véhicule en sécurité.

Avant d'utiliser cet échangeur de pneus, se reporter et suivre les messages de sécurité et les procédures de sécurité fournies par les fabricants de l'équipement à utiliser et du véhicule à entretenir.

 **IMPORTANT ! CONSERVER CES INSTRUCTIONS — NE PAS LES JETER !**

## CONSIGNES DE SÉCURITÉ IMPORTANTES

Toujours suivre les précautions de sécurité de base pendant l'utilisation de cet équipement. Celles-ci comprennent les démarches suivantes :

1. Lire toutes les instructions.
2. Ne pas utiliser un appareil endommagé ou avec un cordon d'alimentation endommagé. Attendre l'inspection d'un technicien de service autorisé et qualifié avant d'utiliser l'appareil.
3. Si une rallonge est utilisée, celle-ci doit être d'une tension nominale égale ou supérieure à celle utilisée par la machine. Les cordons d'une tension nominale inférieure à celle de l'équipement peuvent surchauffer. Les cordons doivent être placés de façon à éviter de tirer ou de trébucher dessus.
4. Toujours débrancher l'équipement à partir de la prise lorsque celui-ci n'est pas utilisé. Ne jamais tirer sur le cordon pour débrancher la prise. Tenir la prise et tirer pour déconnecter.
5. Pour réduire le risque d'incendie, ne pas utiliser l'équipement en proximité de récipients ouverts ou de liquides inflammables (essence).
6. Tenir les cheveux, les vêtements amples, les doigts et toutes parties du corps loin des parties mobiles.
7. Une ventilation adéquate doit être présente lors du travail avec des moteurs à combustion interne.
8. Pour réduire le risque de choc électrique, ne pas utiliser sur les surfaces mouillées ou exposées à la pluie.
9. Ne pas marteler les éléments de la machine, celle-ci n'est pas conçue comme une enclume.
10. Ne pas permettre au personnel non autorisé de manipuler l'équipement.
11. Ne pas désactiver ou réaliser un by-pass des systèmes de sécurité et suivre toutes les procédures de sécurité.
12. Utiliser uniquement comme prévu sur ce manuel. N'utiliser que les accessoires recommandés par le fabricant.
13. Toujours verrouiller la jante en sécurité avant d'initier la rotation.
14. **TOUJOURS PORTER DES LUNETTES DE SÉCURITÉ.** Les lunettes ordinaires ne possèdent que des verres résistants aux chocs, elles **NE CONSTITUENT PAS** des lunettes de sécurité.
15. L'équipement est conçu uniquement pour un usage d'intérieur.

CONSERVER CES INSTRUCTIONS

## SOMMAIRE

	INFORMATIONS DE SÉCURITÉ	Page 5
	Lecture de la plaque de sécurité	Page 6
1.0	Introduction	Page 7
1.1	Terminologie	Page 7
1.2	Caractéristiques Techniques	Page 8
1.3	Dimensions de la Machine	Page 8
1.4	Accessoires	Page 8
1.5	Précautions Générales	Page 9
1.5.1	Précautions	Page 9
2.0	Installation de les accessoires	Page 10
2.1	Montage du Kit: ÉTAU COULISSANT +4 POUCES	Page 10
2.2	CHANGEMENT RAPIDE OUTIL A EXTENSION	Page 11
2.3	Barre hexagonale avec rouleau décalé	Page 13
3.0	Commandes	Page 14
4.0	Montage et Démontage. Precautions générales	Page 16
4.1	Démontage Pneus Sans Chambre (tubeless)	Page 16
4.1.1	Presse-talon pendant la phase de démontage	Page 18
4.2	Montage Pneus Sans Chambre (tubeless)	Page 19
4.2.1	Presse-talon pendant la phase de montage	Page 19
4.3	Enjantage du talon des pneus	Page 20
4.4	Montage et Démontage Pneus Moto	Page 21
5.0	Démontage Pneus Avec Chambre	Page 22
5.1	Montage Pneus Avec Chambre	Page 22
5.2	Gonflage Pneus Avec Chambre	Page 22
6.0	Entretien	Page 23
7.0	Vente	Page 24
7.1	Consignes de démolition	Page 24
i	Conditions requises pour l'installation	Page 24
ii	Transport – Déballage - Déplacement de la machine	Page 25
iii	Procédures d'installation	Page 26
iv	Procédure de test	Page 27
v	Formation de l'Opérateur	Page 27



**⚠ DANGER**

Il n'est pas possible d'utiliser ensemble des pneus et des jantes de diamètre différent.

- **Ne JAMAIS essayer de monter ou de gonfler un pneu et une jante de diamètre différent.**
- **S'assurer TOUJOURS que les diamètres du pneu et de la jante correspondent bien.**

*L'utilisation d'un pneu et d'une jante de diamètre différent pourrait provoquer une explosion, avec risques d'accident mortel ou de blessures graves.*

**⚠ AVERTISSEMENT**

Un pneu surgonflé peut exploser et projeter des fragments.

- Lire et comprendre le manuel de l'utilisateur avant l'utilisation.
- Empêcher l'accès des personnes étrangères au service à la zone de travail.
- TOUJOURS utiliser des lunettes de protection.
- S'assurer TOUJOURS que les diamètres du pneu et de la jante correspondent bien.
- **NE JAMAIS essayer de monter ou de gonfler un pneu et une jante de diamètre différent.**
- Inspecter les pneus. **NE JAMAIS gonfler des pneus endommagés ou usés.**
- **NE JAMAIS gonfler des roues à jante divisée sur ce démonte-pneu ou bien les démonter et utiliser uniquement une cage de gonflage de sécurité agréée et conçue à cet effet.**
- Bloquer la fixation de la plaque tournante à l'intérieur de la jante avant de commencer à gonfler le pneu.
- Utiliser un lubrifiant pour talon avant de démonter ou de monter le pneu sur la jante.
- Placer toujours le "bras de maintien de sécurité" sur la roue pour la maintenir fixée à la plaque tournant pendant le gonflage en cas d'équipement de ce genre.
- Si un pneu explose sur ce démonte-pneu, **ARRETER** de l'utiliser jusqu'à ce que le "bras de maintien de sécurité" ait été remplacé, ce qui doit être fait même si aucun dommage n'est apparent.
- **NE JAMAIS** placer la tête ou le corps au-dessus d'un pneu pendant le gonflage.
- Utiliser de petites injections d'air pour mettre en place sur les talons du pneu. Contrôler la pression de l'air du pneu, fréquemment. **NE JAMAIS dépasser les limites de pression indiquées par le fabricant.**
- **NE JAMAIS essayer de dériver ou d'altérer le limiteur de pression incorporé. Ne gonfler le pneu qu'avec l'embout fourni avec le démonte-pneu. NE JAMAIS utiliser l'embout de gonflage de l'atelier pour gonfler un pneu.**
- **Le démonte-pneu doit être fixé au sol en béton s'il est équipé d'un "bras de maintien de sécurité".**

*L'explosion d'un pneu peut provoquer des blessures graves.*

## INSTRUCTIONS : Lecture de la plaque de sécurité

### IMPORTANT!! CONSERVER LES PRESENTES INSTRUCTIONS



Les pneus surgonflés ou les pneus montés sur des jantes de taille non appropriée peuvent exploser et projeter des fragments.

- Lire et comprendre le manuel d'utilisation avec d'utiliser ce démonte-pneu.
- Ne jamais monter ou gonfler un pneu et une jante de diamètre différent.
- Ne jamais dépasser les limites de pression indiquées sur le côté du pneu.
- Toujours utiliser le bras de maintien de sécurité pour maintenir la roue en place pendant le gonflage.
- Toujours utiliser l'embout fourni pour gonfler les pneus.

L'explosion des pneu peut causer un accident mortel ou des dommages graves.



Risque électrique.

- Ne pas démarrer l'appareil si le câble d'alimentation est endommagé ou après une chute ou en présence de dommages, tant qu'il n'a pas été examiné par une personne qualifiée du SAV.
- Si une rallonge est nécessaire, utiliser un câble ayant une valeur de courant égale ou supérieure au courant utilisé pour l'appareil. Un câble d'une valeur inférieure pourrait se surchauffer.
- Quand il n'est pas utilisé, déconnecter toujours l'appareil du coffret électrique. Ne jamais saisir le câble pour enlever la fiche du coffret. Saisir la fiche électrique et tirer pour débrancher.
- Ne pas exposer l'appareil à la pluie. Ne pas utiliser sur des surfaces humides.
- Connecter l'unité à la bonne prise d'alimentation.
- Ne pas enlever ou désactiver le câble de terre.

Le contact avec d'autres tensions peut causer la mort ou des dommages graves.



Risque électrique. De hautes tensions sont présentes à l'intérieur de l'unité.

- A l'intérieur de l'unité n'existent pas parties relevant de la compétence de l'opérateur.
- Les interventions d'assistance sur l'unité doivent être effectuées par du personnel qualifié.
- Ne pas ouvrir de parties non connues ou non admise de l'appareil.
- Éteindre l'interrupteur et déconnecter l'unité avant toute intervention de service.

Le contact avec des hautes tensions peut causer la mort des dommages graves.



Risque d'écrasement.

- Se familiariser avec toutes les commandes avant toute utilisation.
- Rester à distance de sécurité du bras de l'outil de décollage pendant le fonctionnement.
- Appliquer l'air sur l'outil de décollage par à-coups si nécessaire pour contrôler la profondeur du bras.
- Empêcher les personnes étrangères au service de s'approcher du démonte-pneu.

Le contact avec des parties en mouvement peut causer un accident.



Risque de pincement ou d'écrasement des mains et des doigts.

- Garder les mains et les doigts à distance de sécurité du bord de la jante pendant les opérations de démonte et de monte.
- Garder les mains et les doigts à distance de sécurité de la tête de monte/démonte pendant le fonctionnement.
- Garder les mains et autres parties du corps à distance de sécurité des surfaces en mouvement.
- Ne pas utiliser d'outils autres que ceux fournis avec le démonte-pneu.
- Ne pas utiliser d'accessoires non autorisés.
- Ne désactiver aucun dispositif de sécurité.
- Utiliser un lubrifiant approprié pour éviter le grippage du pneu.

Le contact avec des parties en mouvement peut causer des accidents.



Risque de dommage aux yeux. Des projections de fragments, de saleté et de liquides peuvent se produire pendant les opérations de mise en place du talon et de gonflage.

- Enlever tous les fragments de la bande de roulement et de la jante.
- Enlever l'excédent de lubrifiant pour pneus avant de gonfler.
- Tapoter pour éliminer les fragments. Nettoyer les surfaces suffisamment pour éviter la chute de matériaux.
- Porter des lunettes de sécurité approuvées pendant les interventions de service.

Les fragments, les déchets et les fluides peuvent causer des dommages graves aux yeux.



Risque de dommage. Les outils peuvent se briser ou glisser s'ils sont utilisés ou conservés de façon non appropriée.

- Utiliser l'outil adapté pour cette fonction.
- Inspecter, nettoyer et lubrifier (si cela est recommandé) fréquemment tous les outils.
- Suivre les procédures recommandées lors des interventions sur les roues.

Les outils qui se brisent ou glissent peuvent provoquer des dommages.



Danger de collision et d'entraînement :

- ne pas faire tourner l'autocentreur lorsque la roue n'est pas à bord
- ne pas s'approcher du flasque lorsqu'il est en mouvement
- faire attention aux griffes lorsqu'elles sortent du flasque
- ne pas placer d'objets saillants sur le flasque
- ne pas placer d'objets saillants à proximité du flasque

Tout contact avec des parties en mouvement pourrait provoquer des blessures.

## 1.0 Introduction

Félicitations pour avoir acheté le démonte-pneu électro-pneumatique "**John Bean EHP Sys V**".

Cet ensemble de caractéristiques signifie pour votre entreprise des profits plus élevés ainsi qu'une polyvalence majeure car il vous permet de travailler sur des roues en alliage aluminium ou magnésium sans endommager la jante.

Avec un minimum d'entretien et de soin, ce démonte-pneu vous garantit de nombreuses années de travail rentable et sans problèmes.

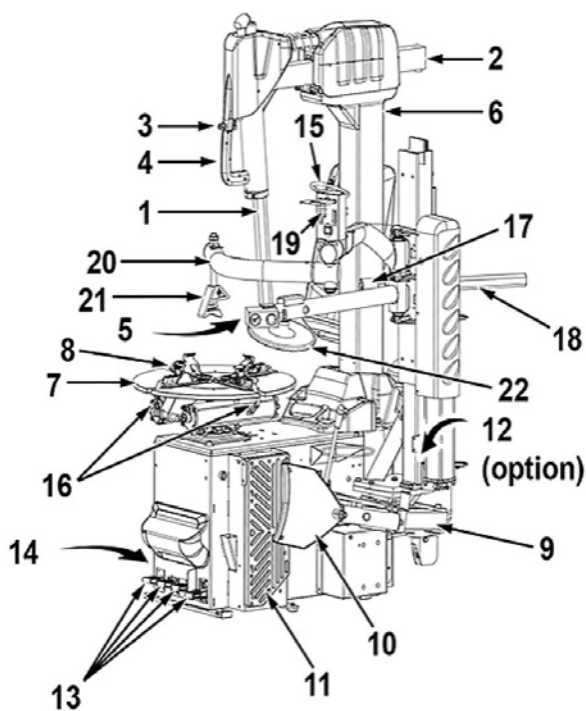
Lisez attentivement ce manuel avant de mettre la machine en service.

Les instructions sur l'emploi, l'entretien et les modalités d'emploi sont décrites dans ce manuel.

CONSERVER SOIGNEUSEMENT CE MANUEL POUR TOUTE CONSULTATION. LIRE ATTENTIVEMENT CE MANUEL AVANT D'UTILISER LA MACHINE

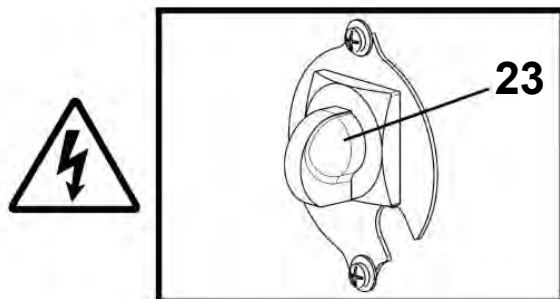
### 1.1 Terminologie

Avant d'installer et d'utiliser le démonte-pneus, on conseille de se familiariser avec la terminologie de la machine (**Fig. 1.1-1**).



1.1-1

- 1 Tige verticale
- 2 Bras de montage, à déplacement horizontal
- 3 Levier avec bouton-poussoir
- 4 Béquille
- 5 Outil
- 6 Potence
- 7 Autocentreur
- 8 Mors avec positionnement
- 9 Bras détalonneur
- 10 Palette détalonneur
- 11 Support détalonneur
- 12 Boîte Lubrifiant
- 13 Pédalier
- 14 Pédale de gonflage
- 15 Manomètre de gonflage
- 16 Bec Gicleur (EN OPTION)
- 17 Rouleau Superieur
- 18 Tige horizontale
- 19 Levier de commande
- 20 Bras presse-talon
- 21 Outil presse-talon
- 22 Disque presse-talon inférieure
- 23 Fonctionnement On / Off (uniquement pour 220V)



1.1-2

(**Fig. 1.1-2**)

Lorsque l'appareil ne possède pas d'interrupteur pour allumer ou éteindre l'alimentation de la machine, débranchez et rebranchez la prise d'alimentation.

**ATTENTION:** IL EST CONSEILLÉ D'ÉTEINDRE LA MACHINE QUAND LA JOURNÉE DE TRAVAIL EST TERMINÉE.

## 1.2 Caractéristiques techniques

Démonte-pneus électro-pneuma-tique pour roues de voiture, de fourgon et de moto avec pneus montés sur jantes à base creuse.

**Poids** 925 lbs (420 Kg)  
**Pression air comprimé** psi 110-170 (8-12 bar)  
**Force détalonneur** lbs 3300 (15 kN)

**Conditions d'alimentation:** 115 V, 1Ph, 60Hz, 12A  
**Moteur** kW 0.75 (HP 1)  
**Vitesse de rotation de l'autocentreur:** 7 t/min

**Caractéristiques électriques:** 230 V, 1Ph, 50/60 Hz, 16A  
**Puissance du moteur** kW 0.75 (HP 1)  
**Vitesse de rotation de l'autocentreur:** 7-18 rpm

**Couple maximum** lbf-ft 738 (Nm 1000)

**Diamètre maxi. de roue** 47" (mm 1270)  
**Largeur maxi. de la jante** 16" (mm 405)  
**Blocage par l'extérieur** 12"-26"  
**Blocage par l'intérieur** 14"-28"  
**Blocage roues moto avec adapteurs** 10"-25"  
**Blocage roues moto avec adapteurs** 8"-23"

**Emission acoustique** <70dBA  
**Emission acoustique - Enjantage du talon** 120dBA

## 1.3 Dimensions de la machine

(Fig.1.1-3)

**L** - Largeur max. 67"3/4 (mm 1720)  
**P** - Profondeur max. 75"1/2 (mm 1920)  
**H** - Hauteur max. 85" (mm 2160)

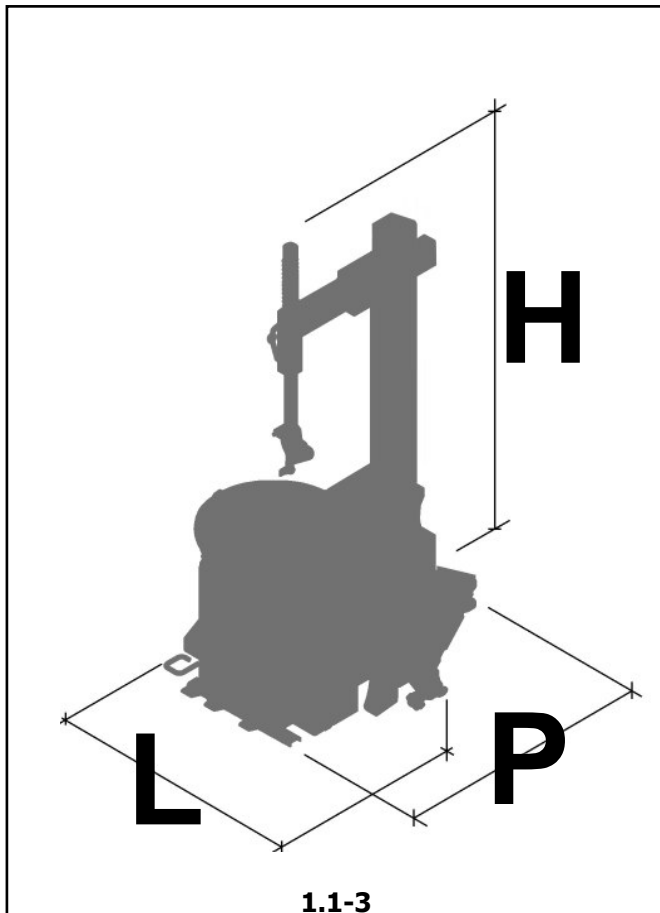
## 1.4 Accessoires

Une série d'accessoires sont normalement disponibles avec la machine. Tous les accessoires sont listés sur le site web : <http://service.snapon-equipment.net/>

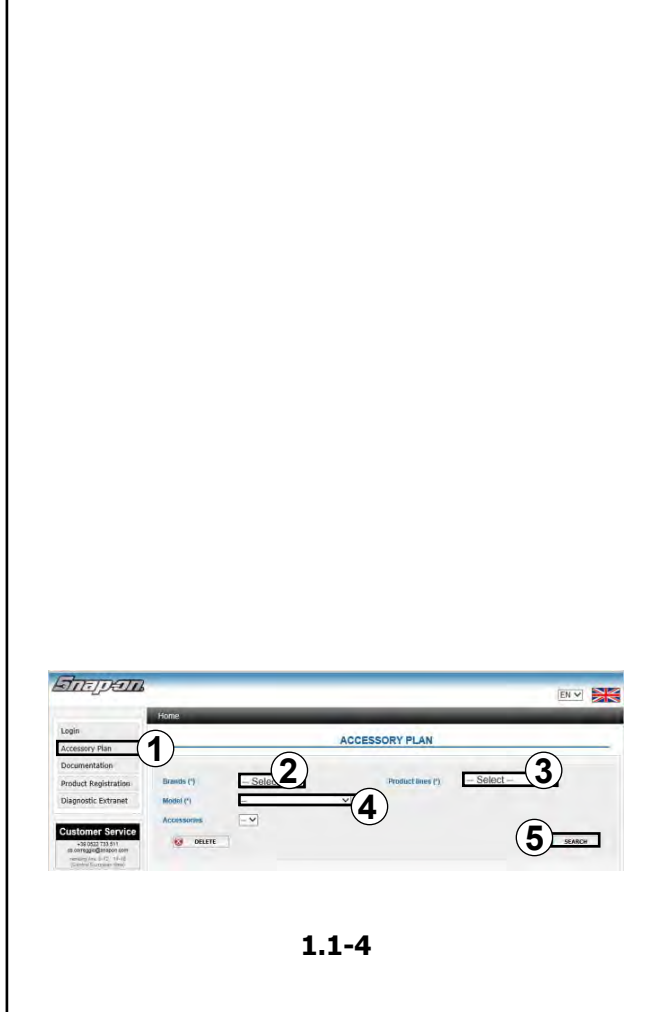
Une fois entré dans la page web (**Fig.1.1-4**), procéder comme suit.

- Sélectionner **Accessory Plan** (1).
- Sélectionner la Marque de référence dans la rubrique **Brands** (2).
- Sélectionner le type de produit «Tyre changers» dans la rubrique **Product lines** (3).
- Ouvrir la rubrique Model (4) et sélectionner le modèle de machine désiré dans la liste.
- Taper «**SEARCH**» (5) pour afficher la liste des accessoires disponibles.

- Pour les commandes, prière d'utiliser les codes mentionnés dans la liste.



1.1-3



1.1-4

**B****D**

## 1.5 Précautions générales

**A.** PENDANT L'UTILISATION ET L'ENTRETIEN DE LA MACHINE IL EST IMPÉRATIF DE RESPECTER TOUTES LES LOIS ET LES RÈGLES POUR LA PRÉVENTION DES ACCIDENTS.

**B.** LA LIGNE D'ALIMENTATION ELECTRIQUE DOIT AVOIR UNE MISE A LA TERRE ET LE CABLE DE TERRE DE LA MACHINE (JAUNE ET VERT) DOIT ETRE BRANCHE AU CABLE DE TERRE DE LA LIGNE ELECTRIQUE.

**C.** AVANT TOUTE OPÉRATION D'ENTRETIEN ET DE RÉPARATION LA MACHINE DOIT ÊTRE DEBRANCHÉE DU RÉSEAU ÉLECTRIQUE ET DE L'AIR COMPRIMÉ.

**D.** NE PORTER JAMAIS DE CRAVATES, DE CHAÎNES OU AUTRES LORSQUE L'ON EXÉCUTE DES OPÉRATIONS D'EMPLOI, D'ENTRETIEN OU DE RÉPARATION SUR LA MACHINE. LES CHEVEUX LONGS SONT ÉGALEMENT DANGEREUX. ILS DOIVENT ÊTRE RASSEMBLÉS SOUS UNE CASQUETTE OU AUTRE. L'OPÉRATEUR DOIT PORTER DES VÊTEMENTS ADÉQUATS, DES GANTS, DES CHAUSSURES DE SÉCURITÉ ET DES LUNETTES.

**E.** LES CÂBLES ÉLECTRIQUES DOIVENT ÊTRE CONSERVÉS EN BON ÉTAT.

**F.** LE CARTER DE SÉCURITÉ ET LES DISPOSITIFS DE SÉCURITÉ DOIVENT ÊTRE ACTIFS ET DOIVENT FONCTIONNER CORRECTEMENT.

**G.** LA ZONE DE TRAVAIL DOIT ÊTRE PROPRE. LES ENDROITS DESORDONNÉS FAVORISENT LES ACCIDENTS.

**H.** ÉVITER LES SITUATIONS DANGEREUSES. NE PAS UTILISER D'OUTILS PNEUMATIQUES OU ÉLECTRIQUES DANS DES LIEUX HUMIDES ET GLISSANTS, NE PAS LES EXPOSER AUX INTEMPÉRIES.

**J.** LA ZONE DE TRAVAIL DOIT ÊTRE BIEN ÉCLAIRÉE.

### 1.5.1 Précautions

-L'EMPLOI DE L'APPAREIL EST PERMIS SEULEMENT AU PERSONNEL OPPORTUNÉMENT FORMÉ PAR LE DISTRIBUTEUR AUTORISÉ *JOHN BEAN*.

-TOUT ET N'IMPORTE QUEL CHANGEMENT OU MODIFICATION DE L'APPAREIL OU DE L'UNE SES PIÈCES QUI N'A PAS ÉTÉ AUTORISÉ PAR LE CONSTRUCTEUR, DÉCHARGE CELUI-CI DES DOMMAGES CAUSÉS PAR OU RAPPORTEABLES AUX ACTIONS SUSMENTIONNÉES.

-LA LEVÉE OU L'ALTÉRATION DES DISPOSITIFS DE SÉCURITÉ OU D'INSTRUCTIONS PLACÉS SUR LA MACHINE ENTRAÎNE UNE VIOLATION DES RÈGLES SUR LA SÉCURITÉ.

L'EMPLOI DE L'APPAREIL EST PERMIS SEULEMENT EN LIEUX SANS DANGER D'EXPLOSION OU D'INCENDIE.

-L'INSTALLATION DOIT ÊTRE EFFECTUÉE PAR DU PERSONNEL QUALIFIÉ DANS LE RESPECT DES INSTRUCTIONS DONNÉES.

-CETTE MACHINE A ETE CONÇUE POUR NE MONTER QUE DES ACCESSOIRES ET DES PIÈCES DE RECHANGE D'ORIGINE.

-CONTRÔLER QUE PENDANT LES MANOEUVRES AUCUNE CONDITION DE DANGER NE SE VERIFIE. LE CAS ÉCHÉANT, ARRÊTER IMMÉDIATEMENT LA MACHINE.

-SI L'ON REMARQUE DES IRRÉGULARITÉS FONCTIONNELLES, ARRÊTER LES OPÉRATIONS ET CONSULTER LE SERVICE APRÈS-VENTE DU DISTRIBUTEUR AUTORISÉ *JOHN BEAN*.

## 2.0 Installation de les accessoires

### 2.1 Montage du Kit: EAA0332G91A - KIT ÉTAU COULISSANT +4 POUCES (en option)

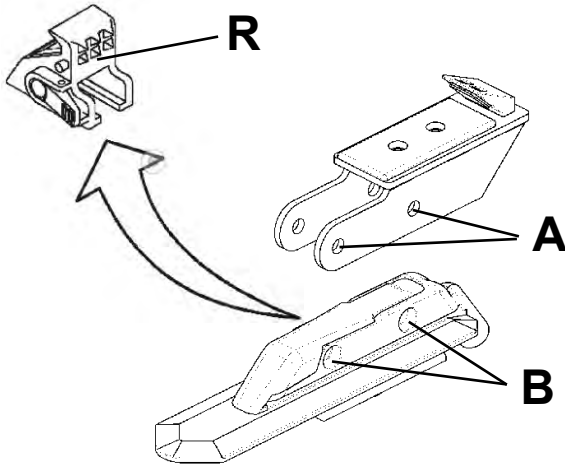
**AVERTISSEMENT !**

**AVANT L'INSTALLATION, COUPEZ L'ALIMENTATION ELECTRIQUE ET PNEUMATIQUE DU DEMONTE-PNEU**

Voir **Figure 2.0-1**

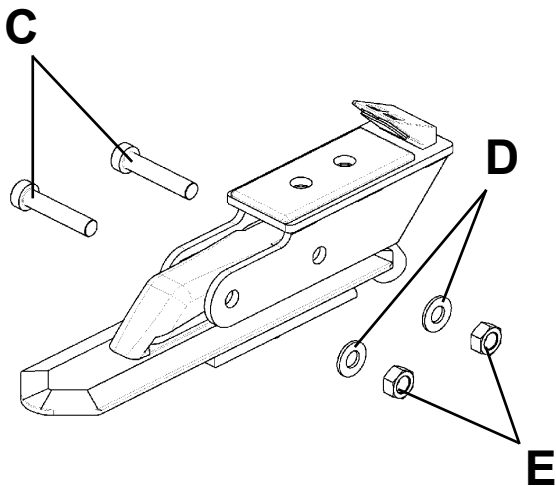
1) Enlevez les étaux standard (**R**), présents sur l'autocentranteur du démonte-pneu.

2) Placez les étaux +4" fournis dans le kit sur les patins de l'autocentranteur et alignez les orifices latéraux (**A**) sur les orifices (**B**) des patins.



**2.0-1**

**ATTENTION: FIXEZ LES PATINS A L'AIDE DES DEUX VIS DANS LES ORIFICES PREVUS A CET EFFET.**



**2.0-2**

Voir **Figure 2.0-2**

3) Introduisez les vis (**C**) dans les orifices latéraux des bornes, montez les rondelles (**D**) de l'autre côté puis bloquez le tout avec les écrous (**E**).

**NOTA BENE:** Si les orifices (**B**) des patins sont colmatés par de la saleté, nettoyez-les à LA MAIN en faisant passer plusieurs fois une mèche hélicoïdale de 8mm de diamètre.

**ATTENTION: APRES L'INSTALLATION, LES ETAUX DOIVENT SE TROUVER A LA MEME DISTANCE DU MILIEU DE L'AUTOCENTRANT.**

## 2.2 Montage du Kit: EAA0304G80A -

### KIT CHANGEMENT RAPIDE OUTIL A EXTENSION +4" (en option)

#### AVERTISSEMENT !

AVANT L'INSTALLATION, COUPEZ L'ALIMENTATION ELECTRIQUE ET PNEUMATIQUE DU DEMONTE-PNEU

#### Opérations préliminaires

Voir **Figure 2.0-3**

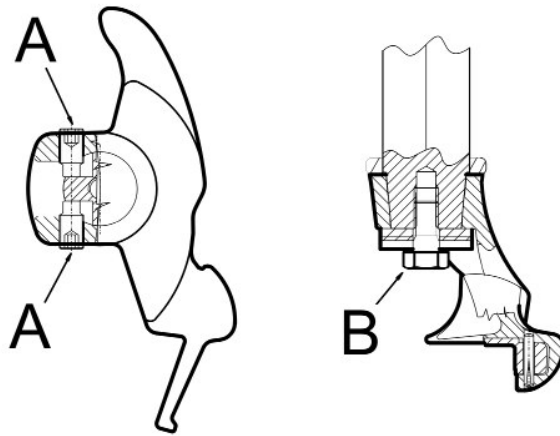
- 1) Dévissez les deux vis (**A**) de l'outil situées sur le démonte-pneu.
- 2) Dévissez et ôtez la vis de fixation (**B**) située sous l'outil.
- 3) Si le démonte-pneu est équipé d'un levier mécanique de blocage de la barre hexagonale, actionnez le levier pour effectuer le blocage. Mémorisez l'orientation de l'outil puis retirez-le de la barre hexagonale.

**N.B.:** En cas de démonte-pneu avec blocage pneumatique, il faudra retenir manuellement la barre hexagonale, pour empêcher que le ressort vertical la fasse sortir par le haut.

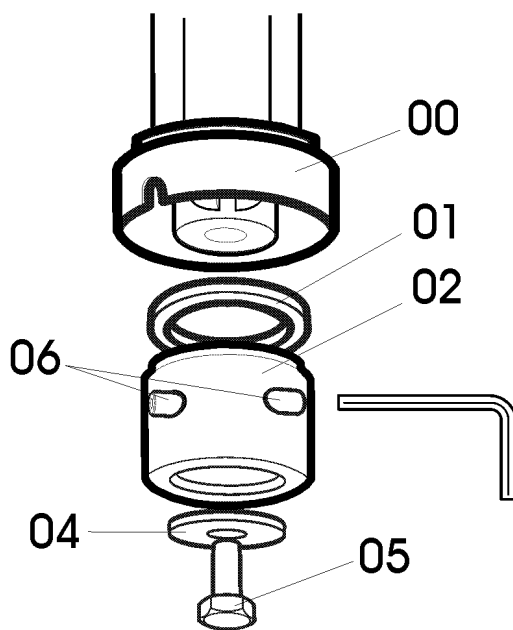
#### Montage du Kit

Voir **Figure 2.0-4**

- 4) Mettre la bague fileté (**C**), la rondelle 41x53x2 (**D**) et montez la douille de fixation (**E**) sur la barre hexagonale en l'orientant de façon à ce que les alésages des vis de réglage soient en haut et correspondent aux creux sur la barre.
- 5) Vissez manuellement, mais sans la serrer à fond, la vis 10x20 (**G**), en interposant la rondelle 10x32 (**H**).
- 6) Vissez de la même façon, sans serrer à fond, les deux vis (**F**) fournies dans le kit de façon à maintenir le centrage de la douille.
- 7) Vissez à fond d'abord les vis (**F**), progressivement tour à tour, puis vissez en dernier la vis située en dessous (**G**).



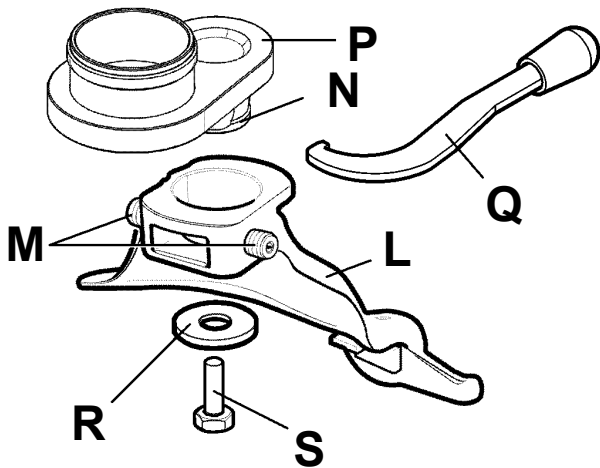
2.0-3



2.0-4

## Montage de l'outil fourni dans le kit

Voir **Figure 2.0-5**



2.0-5

8) Montez l'outil fourni dans le kit (**L**) sur le raccord rapide pour extension, orienté de sorte que les vis de réglage (**M**) correspondent aux logements (**N**) sur le moyeu de l'attelage.

9) Vissez, sans serrer à fond, les vis (**M**), situées sur l'outil.

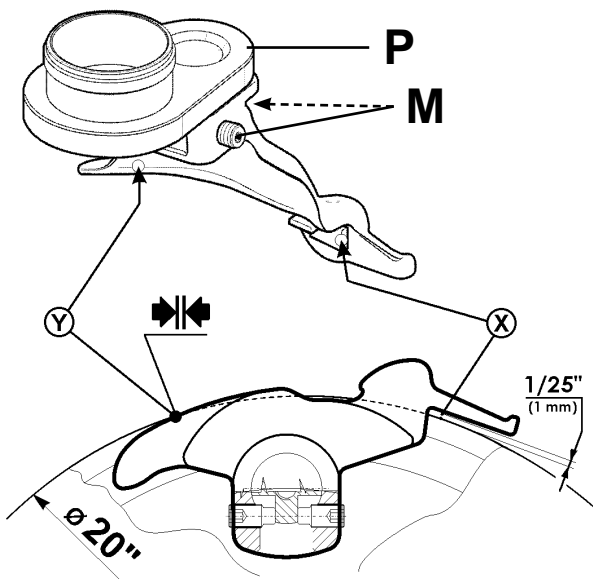
10) Vissez manuellement, mais sans forcer, la vis 10x30 (**S**) avec la rondelle 10x38 (**R**).

11) Puis montez le groupe ainsi composé, sur la douille installée précédemment. Fermez la bague fileté de blocage avec la clé fournie dans le kit (**Q**).

**N.B.:** Respectez l'orientation de l'outil qui était monté à l'origine sur le démonte-pneu.

## Réglage de l'outil:

Voir **Figure 2.0-6**



2.0-6

Après avoir monté l'outil sur le raccord rapide, un réglage est nécessaire. A l'aide des deux vis (**M**), orientez correctement l'outil par rapport aux roues sur lesquelles il devra opérer.

12) Branchez le démonte-pneu au réseau électrique et pneumatique.

13) Bloquez une jante neuve ou en bon état, de 20" de diamètre sur le dispositif de centrage.

14) Dévissez les deux vis (**M**) et la vis en dessous de façon à libérer l'outil et lui permettre de tourner sur une petite section de la barre hexagonale par rapport au moyeu (**P**)

15) Approchez l'outil du bord de la jante comme dans pour une opération de travail normale, puis bloquez-le.

16) Vissez une des deux vis de réglage, jusqu'à amener la partie interne de la pointe de l'outil à 1/25" (1 mm) environ du bord de la jante, comme l'indique le point (**X**) et de l'autre côté de l'outil, le bord de l'outil à ras du bord de la jante comme l'indique le point (**Y**).

17) Vissez les deux vis en maintenant cette condition. Ecartez l'outil du bord de la jante puis vissez à fond la vis (**S**, Fig. 2.0-5) au couple de 35 Nm.



## Montage et réglage de l'outil original du démonte-pneu

Voir **Figure 2.0-7**

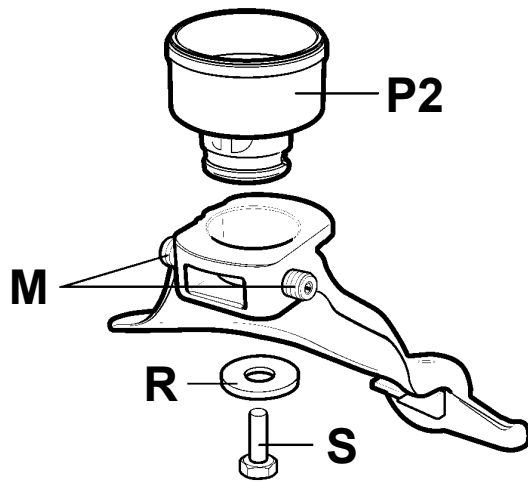
18) Fixez sur le second raccord rapide (**P2**) fourni dans le kit, l'outil que vous avez démonté du démonte-pneu. Suivez les mêmes instructions que pour le montage du premier, voir les points de 8 à 11.

19) Procédez au réglage comme décrit aux points 14 et 15.

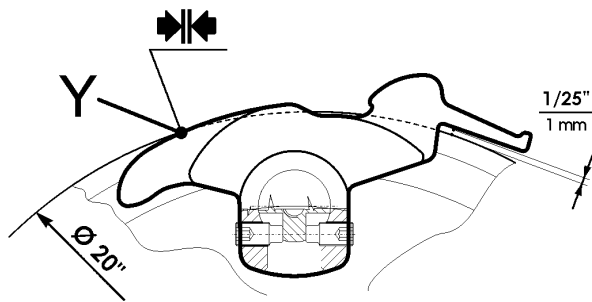
20) Vissez ensuite une des deux vis de réglage jusqu'à amener la partie interne de la pointe de l'outil à  $1/25''$  (1 mm) environ du bord de la jante et simultanément, de l'autre côté de l'outil, à l'endroit illustré dans la figure, le bord de l'outil à ras du bord de la jante (**Y Fig. 2.0-8**).

21) Complétez le réglage comme décrit au point 17.

22) Enlevez la jante du dispositif de centrage.



**2.0-7**



**2.0-8**

**Le kit est à présent prêt à être utilisé.**

Il est possible d'utiliser l'outil standard pour des jantes traditionnelles ou si vous devez travailler sur des jantes dont le diamètre dépasse la capacité nominale du démonte-pneu, remplacez-le rapidement par l'outil à extension + 4 pouces.

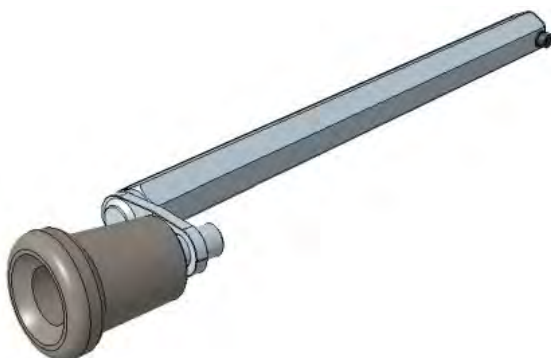
Les outils peuvent être remplacés tour à tour très rapidement, vous permettant de travailler sur des jantes jusqu'à 4 pouces plus grandes que le maximum admissible par votre démonte-pneu.

## 2.2 Barre hexagonale avec rouleau décalé - Kit : EAA0507G98A (en option)

**Installation de la barre hexagonale horizontale :**

- Introduire la tringle hexagonale avec le rouleau dans le logement inférieur du guide mobile, en l'orientant comme l'indique la figure **2.0-9**.

**ATTENTION : UN MAUVAIS MONTAGE DE LA TRINGLE POURRAIT ABIMER LE PNEU.**



**2.0-9**

### 3.0 Commandes

Avant de travailler avec la machine, s'assurer d'avoir bien compris la position et les fonctions des commandes (Fig3.0-1).

**A.** Appuyer et lâcher, DU PIED GAUCHE, la première pédale de gauche: la potence se déplace en arrière. Appuyer de nouveau: la potence se déplace en avant.

**AVERTISSEMENT : DANGER D'ENCRASSEMENT DU CORPS**

BLOQUER LES JANTES EN ALLIAGE PAR L'EXTÉRIEUR POUR RÉDUIRE LE RISQUE D'ENDOMMAGEMENT.

**B.** Presser et relâche, DU PIED GAUCHE, la deuxième pédale de gauche: les griffes de l'autocentreur se déplacent vers le centre. Appuyer de nouveau: les griffes se déplacent du centre vers l'extérieur. Si l'on appuie sur la pédale non en fin de course, les griffes peuvent être arrêtées dans n'importe quelle position.

**AVERTISSEMENT : GARDEZ VOS DOIGTS ET MAINS LOIN DE LA JANTE.**

**C.** Appuyer, DU PIED DROIT, sur la première pédale de droite: l'autocentreur va tourner dans le sens des aiguilles d'une montre.

1. A peu près 3/4 en bas, l'autocentreur tourne au minimum de vitesse.

La couple est au maximum.

2. Tout en bas, l'autocentreur tourne au maximum de vitesse (uniquement pour 220V).

En soulevant la pédale l'autocentreur tournera sens inverse des aiguilles d'une montre.

**D.** Ouvrir le bras détalonneur. Appuyer sans relâcher, DU PIED DROIT, sur la deuxième pédale de droite: de cette façon, on agit sur le détalonneur et le bras se déplace vers la machine. Lâcher la pédale: le cylindre retourne à sa position originale.

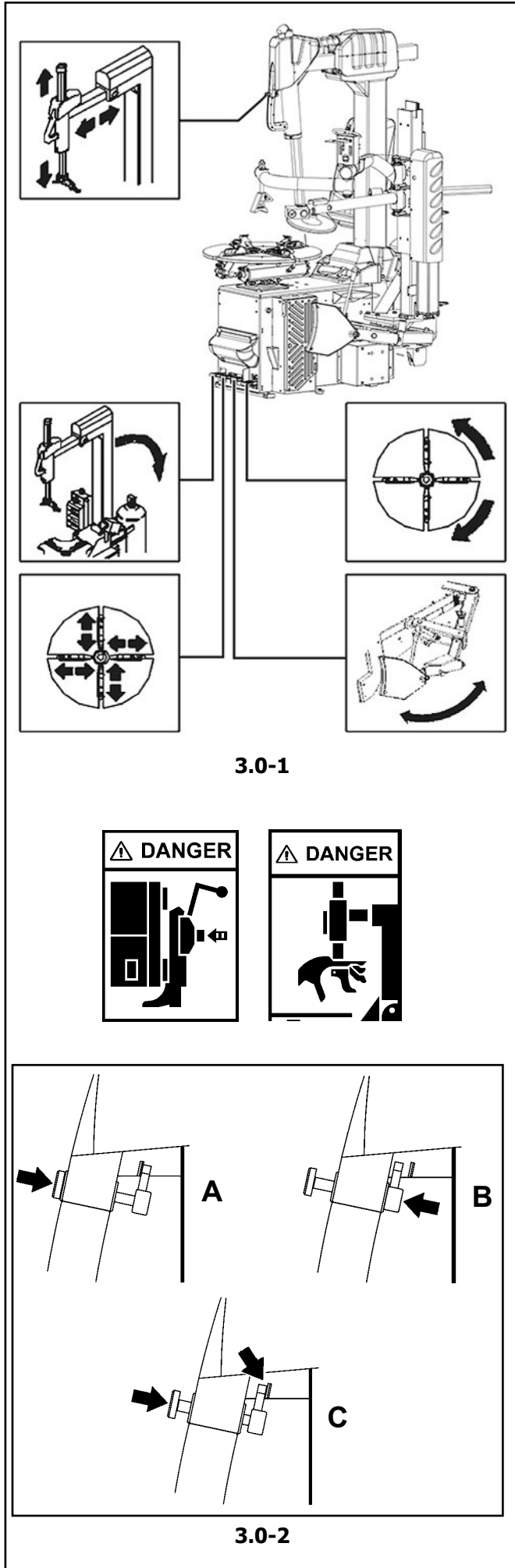
**E.** Le bouton placé sur la poignée permet de positionner l'outil d'une façon correcte.

1. Pour débloquer et faire monter la barre avec l'outil : pressez le bouton à fond avec l'index de la main dans le sens de la flèche (A Fig. 3.0-2).

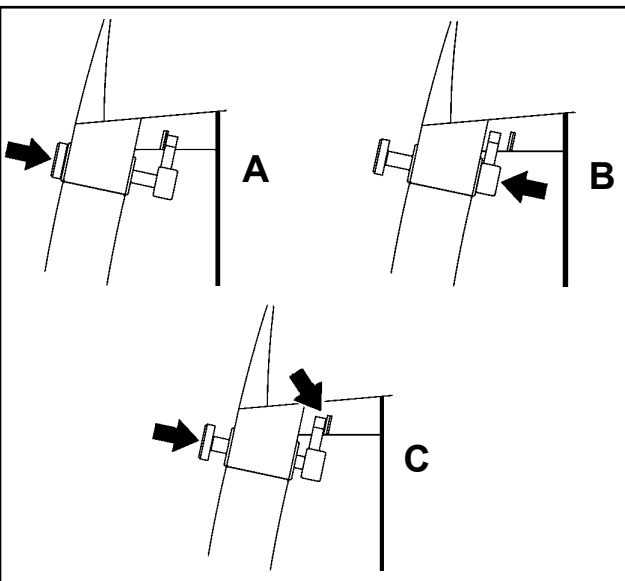
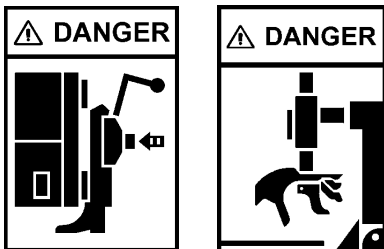
2. Pour débloquer et abaisser la barre avec l'outil : pressez le bouton avec le pouce de la main dans le sens de la flèche jusqu'à ce que la résistance augmente (B Fig. 3.0-2).

3. Pour bloquer: pressez le bouton à fond avec le pouce de la main (C Fig. 3.0-2).

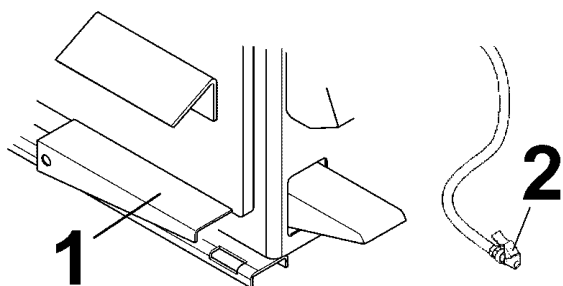
**ATTENTION ! DANGER D'ENCRASSEMENT DES MAINS**



3.0-1



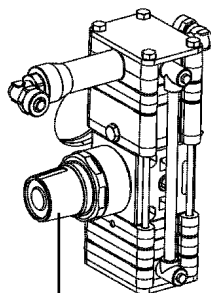
3.0-2



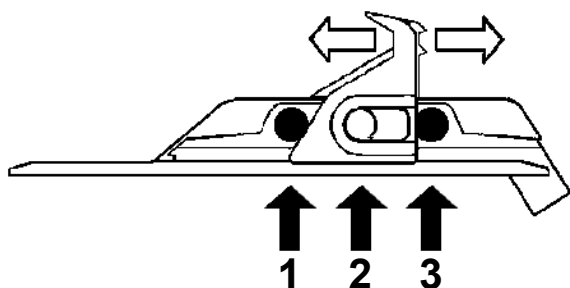
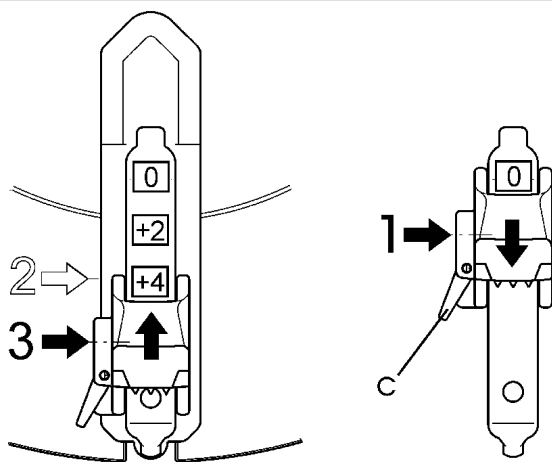
3.0-3



1062.tif



4,5 bar



3.0-4

**F.**

Appuyer sur la pédale du gonfleur (1, Fig. 3.0-3) : l'air sort de l'extrémité du tuyau de gonflage.

**Dans le modèle avec tallonneur pour tubeless :**

**F1.** Appuyer sur la pédale du gonfleur (1, Fig. 3.0-3) jusqu'à mi-course: l'air sort seulement de l'extrémité du tuyau de gonflage (2, Fig. 3.0-3).

**F2.** Appuyer sur la pédale du gonfleur en bout de course pour actionner les jets d'air des extrémités des gicleurs. En même temps, l'air sort de l'extrémité du tuyau de gonflage (2, Fig. 3.0-3).

**Remarque :** Simultanément, de l'air continuera à sortir aussi du tuyau relié à la roue.

**ATTENTION:**

L'ENJANTAGE TERMINE, ARRETER IMMEDIATEMENT LE JET D'AIR.

PENDANT L'ACTIONNEMENT DU DISPOSITIF D'ENJANTAGE, LE PORT D'EQUIPEMENTS DE PROTECTION DES YEUX ET DES OREILLES EST OBLIGATOIRE, LE JET D'AIR POUVANT PROJETER IMPURETES ET POUSSIERES.

**DANGER D'EXPLOSION DU PNEU**

**Remarque :** Pour des raisons de sécurité, une soupape à gonflage rapide pré-réglée à 4,5 bars est montée en amont du manomètre, pour le dispositif de gonflage actionné par pédale.

**Préréglage des mors de serrage :**

**N.B.:** la capacité de l'autocentreur peut être changée avant d'appuyer sur le pédale.

Les mors de l'autocentreur peuvent être positionnées de trois façons différentes (Fig. 3.0-4).

Pousser le levier (C) sur le côté gauche de chaque mors et laissez les glisser de la même distance (0/+2"/4").

**TRES IMPORTANT: FAIRE UNE BONNE INSERTION DE PIN**

**ATTENTION! VEILLER A CE QUE TOUS LES QUATRE MORS DE SERRAGE SE TROUVENT DANS DES POSITIONS IDENTIQUES (FIG. 4.1-5, POS. 1 OU 2). SINON, LA JANTE PEUT TOMBER DU MANDRIN ET BLESSER L'OPERATEUR!**

## 4.0 Montage et démontage pneus. précautions générales

### IMPORTANT!

AVANT DE MONTER UN PNEU SUR UNE JANTE SUIVRE LES INDICATIONS SUIVANTES:

A. LA JANTE DOIT ÊTRE PROPRE ET EN BON ETAT: SI NÉCESSAIRE, LA NETTOYER ET LA PEINDRE APRÈS AVOIR ENLEVÉ TOUTES LES MASSES Y COMPRIS LES MASSES COLLÉES ÉVENTUELLEMENT APPLIQUÉES À L'INTÉRIEUR DE LA JANTE.

B. LE PNEU DOIT ÊTRE PROPRE ET SEC ET NI LE TALON NI LA CARCASSE NE DOIVENT ÊTRE ENDOMMAGÉS.

C. REMPLACER LA VANNE EN CAOUTCHOUC AVEC UNE VANNE NEUVE ET REMPLACER LE JOINT TORIQUE SI LA VANNE EST EN MÉTAL.

D. SI LE PNEU EST AVEC CHAMBRE À AIR, S'ASSURER QU'ELLE SOIT SÈCHE ET EN BON ÉTAT.

E. LA LUBRIFICATION EST NÉCESSAIRE POUR MONTER CORRECTEMENT LE PNEU ET OBTENIR UN CENTRAGE CORRECT DE L'ENVELOPPE. UTILISER SEULEMENT UN LUBRIFIANT SPÉCIFIQUE POUR PNEUS.

F. VÉRIFIER SI LE PNEU EST DE LA JUSTE DIMENSION POUR LA JANTE

### 4.1 Démontage pneus sans chambre (tubeless).

A. Enlever toutes les masses des bords de la jante. Enlever la vanne et dégonfler le pneu (Fig. 4.1-1).

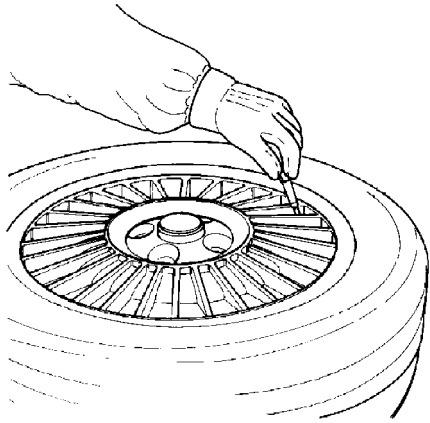
**REMARQUE :** Si le pneumatique est plus large de 13" (340mm), positionnez le détalonneur dans la position "Large" de la manière suivante:

- 1) Tirer et maintenir tiré l'axe (1, Fig. 4.1-2) et amenez le groupe détalonneur dans la position "Large"
- 2) Délivrer l'axe (1, Fig. 4.1-2) dans le trou pour bloquer le groupe détalonneur dans la nouvelle position.
- 3) Verrouiller ou déverrouiller l'insert de rotation lame ou déposer la goupille (2, Fig. 4.1-2).

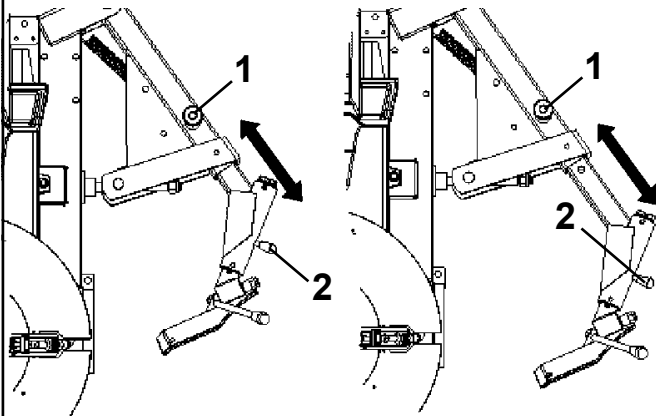
#### B. Détalonner

Prendre garde de ne pas laisser le pied trop longtemps sur la pédale de détalonnage pendant cette opération. Cela pourrait endommager le talon (Fig. 4.1-3).

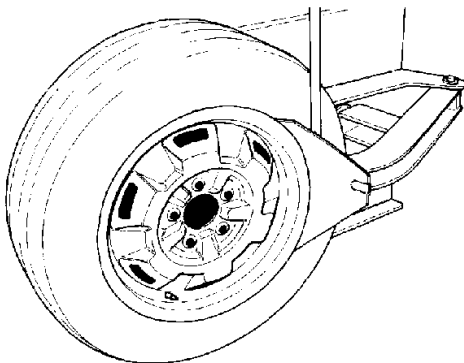
**AVERTISSEMENT !** SUR LES ROUES DE CHEVROLET CORVETTE AYANT LE DETECTEUR DE BASSE PRESSION EN OPTION, DETALONNER A UN ANGLE DE 90 DEGRES DE LA VANNE. LA ROUE SERA ENDOMMAGÉE SI ON DETALONNE EN TOUT AUTRE POINT DE LA JANTE.



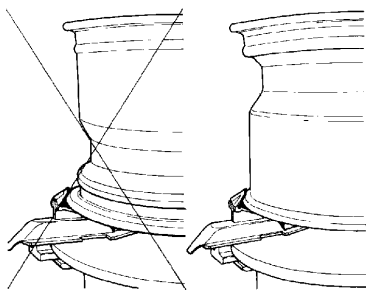
4.1-1



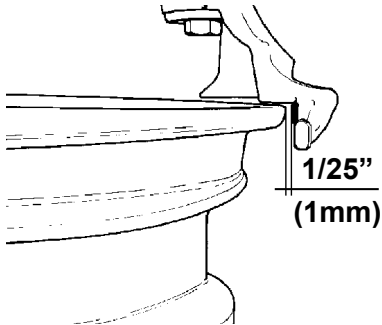
4.1-2



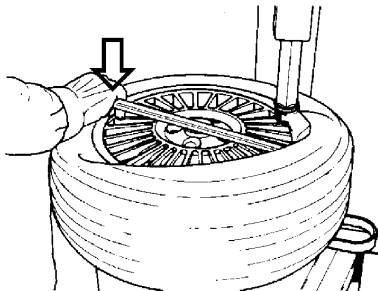
4.1-3



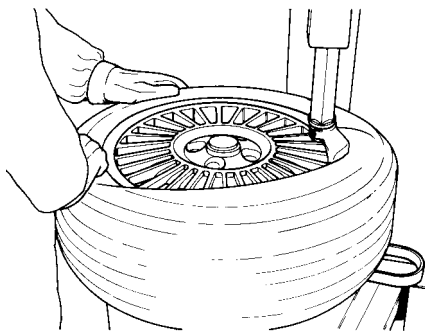
4.1-4



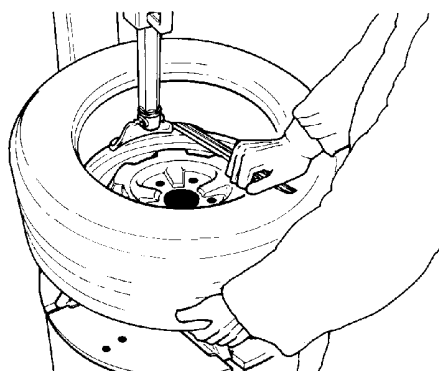
4.1-5



4.1-6



4.1-7



4.1-8

**C.** Positionner les griffes d'une façon convenable: griffes fermées pour bloquer la roue par l'intérieur et griffes ouvertes pour bloquer la roue par l'extérieur. Quand on bloque de l'extérieur des roues, positionner les griffes à un diamètre proche de celui de la jante avant de positionner la roue sur l'autocentreur. Cela évite le risque de pincer l'enveloppe.

**AVERTISSEMENT ! BLOQUER LES JANTES EN ALLIAGE PAR L'EXTÉRIEUR POUR RÉDUIRE LE RISQUE D'ENDOMMAGEMENT.**

**AVERTISSEMENT :**  
**GARDEZ VOS DOIGTS ET MAINS LOIN DE LA JANTE.**

**D.** Lubrifier les deux talons.  
Positionner la roue sur l'autocentreur **AVEC LE CREUX DE LA JANTE VERS LE HAUT** (Fig. 4.1-4) et la bloquer. Tenir le pneu et la roue pendant le blocage.

**E.** Mettre l'outil en contact avec le bord de la jante et le bloquer: l'outil s'éloigne automatiquement du bord de la jante en sens vertical. Tourner la poignée de réglage jusqu'à ce que l'outil s'éloigne du bord de la jante à peu près de  $1/25''$  (1 mm): cela est nécessaire pour éviter des dommages à la jante (Fig. 4.1-5).

**REMARQUE :** La pièce intercalaire en plastique à l'intérieur de l'outil de montage/démontage doit être remplacée périodiquement. Chaque machine est fournie de différentes pièces intercalaires de rechange (dans la boîte des accessoires). Si on le désire, la pièce intercalaire en plastique peut être remplacée par une molette en acier contenue dans la boîte des accessoires. Suivre les instructions jointes aux pièces de rechange.

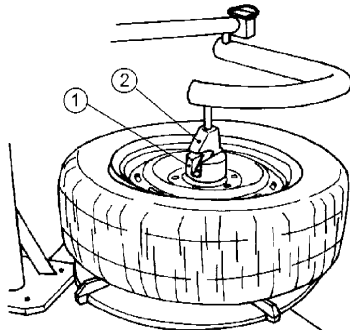
**REMARQUE:** Quand l'outil de montage/démontage a été correctement positionné, les roues identiques peuvent être montées sans devoir régler l'outil de nouveau.

**F.** Introduire le levier pour soulever l'enveloppe en-dessous du talon et au-dessus du support de l'outil. Soulever le talon sur la languette de montage. Pour rendre l'opération plus facile, appuyer, de la main gauche, sur le flanc du pneu dans une position opposée à celle de l'outil. Si l'on veut, on peut enlever le levier pour soulever l'enveloppe après avoir soulevé le talon sur la languette de montage (Fig. 4.1-6).

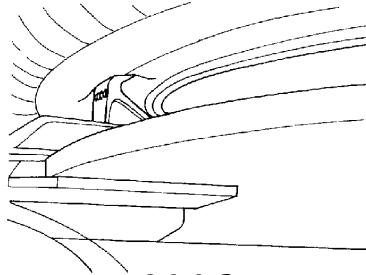
**G.** Faire tourner l'autocentreur dans le sens des aiguilles d'une montre et en même temps, appuyer sur le flanc du pneu pour maintenir le talon dans le creux (Fig. 4.1-7).

**H.** Démontez le deuxième talon en exécutant les mêmes opérations.  
Soulever le pneu de la main gauche dans une position opposée à l'outil pour maintenir le talon dans le creux (Fig. 4.1-8). Déplacer le bras déporté latéralement et enlever le pneu.

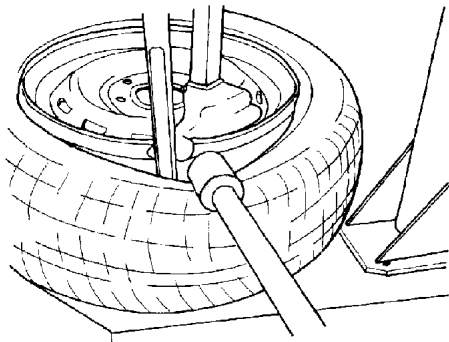
### 4.1.1 Utilisation du presse-talon pendant la phase de démontage.



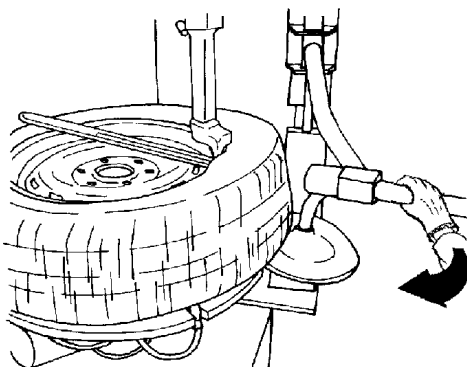
4.1.1-1



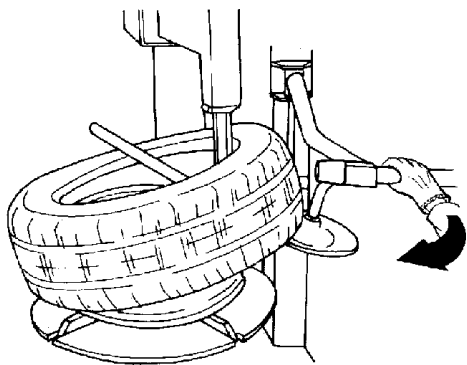
4.1.1-2



4.1.1-3



4.1.1-4



4.1.1-5

**A.** Afin de faciliter le blocage des roues avec pneus durs ou rabaissés, on pourrait utiliser le presse-jante du presse-talon. Appliquer le presse-jante (pos. 1, Fig.4.1.1-1) sur l'outil presse-talon (pos. 2), le positionner au centre de la jante (Fig.4.1.1-1) et descendre la jante jusqu'à quand l'on permet aux coins de bloquer la jante (Fig.4.1.1-2).

**B.** Positionner le rouleau à peu près à 2 cm. (3/4") du bord de la jante. Baisser le flanc du pneu pour rendre plus facile l'introduction du levier lève-talon (Fig.4.1.1-3). Mettre le rouleau en position de repos.

A fin de faciliter le soulèvement du talon sur la languette de l'outil, positionner le disque près du bord de la jante inférieure, tenir la tige du disque avec fermeté et actionner la monté du dispositif (Fig.4.1.1-4).

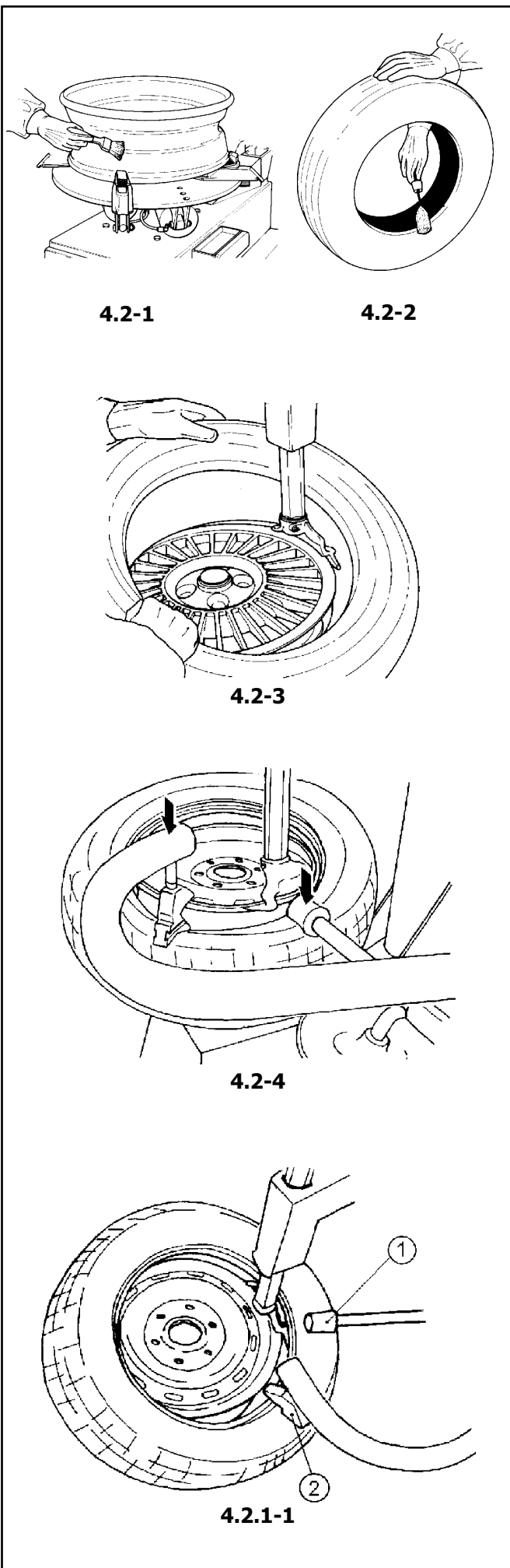
Démontez le premier talon comme il est décrit dans le manuel d'emploi du démonte-pneu.

**C.** Positionner le disque inférieur près du bord de la jante inférieure. Tenir solidement la poignée du presse-talon inférieur, faire monter le dispositif en agissant sur le levier et en même temps tourner l'autocentreur (Fig. 4.1.1-5). Cette manoeuvre permet de détacher la talon s'il s'est entalonné de nouveau et aide à soulever l'enveloppe

**REMARQUE :** Un certain effort en direction radiale sur la poignée du disque inférieur est normal pour faire obstacle à l'action de l'autocentreur qui, à cause de la rotation, tend à pousser le disque vers l'extérieur.

**LE DISQUE INFÉRIEUR NE PEUT PAS ÊTRE BLOQUÉ POUR DES MOTIFS DE SÉCURITÉ.**

## 4.2 Montage pneus sans chambre (tubeless)



4.2-1

4.2-2

4.2-3

4.2-4

4.2.1-1

**A.** Lubrifier toute la surface de la jante (Fig. 4.2-1).  
Lubrifier les deux talons du pneu à l'intérieur et à l'extérieur avec un lubrifiant pour pneus (Fig. 4.2-2).

**AVERTISSEMENT !** UNE LUBRIFICATION ABONDANTE EST NÉCESSAIRE POUR MONTER LE PNEU CORRECTEMENT ET OBTENIR UN BON CENTRAGE SUR LA JANTE. UTILISER SEULEMENT DES LUBRIFIANTS SPÉCIFIQUES POUR PNEUS.

**AVERTISSEMENT !** CONTRÔLER LE SENS DE ROTATION DU PNEU S'IL EST IMPOSÉ. CERTAINS PNEUS ONT UN POINT COLORÉ QUI DOIT ÊTRE TENU SUR LE FLANC EXTÉRIEUR DU PNEU

**B.** Bloquer la jante sur l'autocentreur et la tourner pour avoir la vanne sur 5h. Mettre le pneu sur la jante. Approcher le bras déporté et mettre l'outil en position de travail.

Engager le talon inférieur AU-DESSUS de l'ailette de montage et EN-DESSOUS de la languette de l'outil. Faire tourner l'autocentreur dans le sens des aiguilles d'une montre et pousser le talon dans le creux en position opposée à l'outil (Fig.4.2-3)

**C.** Monter le talon supérieur de la même façon. Pour les pneus taille basse, utiliser l'outil de montage à actionnement pneumatique "MH320 Pro" (Fig. 4.2-4).

### 4.2.1 Utilisation du presse-talon pendant la phase de montage.

**A.** Monter le premier talon.  
Positionner le rouleau (pos. 1) et l'outil presseur (pos. 2) selon l'image 4.2.1-1.

**B.** Descendre le presse talon de façon que la pression du rouleau et de l'outil presseur sur le pneu aident à garder le talon dans le canal de la jante (Fig. 4.2-4).  
L'outil presseur suit la rotation du pneu pendant le montage. Porter le rouleau et l'outil presseur en position de repos.

## 4.3 Enjantage du talon des pneus

Par enjantage du talon, on entend l'adhérence initiale du talon du pneu à la jante, de manière à permettre la suite des opérations à savoir le gonflage et une parfaite pénétration du talon dans le logement de la jante.

**Consignes de sécurité:**

**ATTENTION : NE PAS UTILISER LE DEMONTE-PNEUS COMME DISPOSITIF DE GONFLAGE.**

**LES DISPOSITIFS DE GONFLAGE A AIR COMPRI ME, PRESENTS SUR LE DEMONTE-PNEUS ONT COMME BUT DE FACILITER L'ENJANTAGE DU TALON DU PNEU TUBELESS.**

IL EST ABSOLUMENT INTERDIT DE DEPASSER LA PRESSION MAXIMALE ADMISSIBLE PAR LE FABRICANT DU PNEUMATIQUE.

L'OPERATEUR DOIT RESTER A UNE DISTANCE DE SECURITE QUAND IL PROCEDE L'ENJANTAGE DU TALON DU PNEU. LA PRESSION DOIT ETRE CONTROLEE FREQUEMMENT POUR EVITER UN GONFLAGE EXCESSIF.

AVANT D'ENJANTER LE TALON DU PNEU, CONTROLER L'ETAT DU CAOUTCHOUC ET DE LA JANTE.

S'ASSURER DE L'ETANCHEITE ENTRE LE RACCORD DE LA VALVE ET L'EXTREMIT E DU TUBE D'AIR COMPRI ME. UNE FUITE D'AIR PEUT DETERMINER UNE LECTURE ERRONEE DE LA PRESSION ET UNE SITUATION DE DANGER.

VERIFIER SI L'AIGUILLE DU MANOMETRE EST SUR ZERO, EN CONDITION DE REPOS.

LA PHASE AU COURS DE LAQUELLE LE TALON VIENT PRENDRE PARFAITEMENT SA PLACE DANS LE LOGEMENT DE LA JANTE EST UNE PHASE EXTREMEMENT DANGEREUSE DU MONTAGE D'UN PNEU.

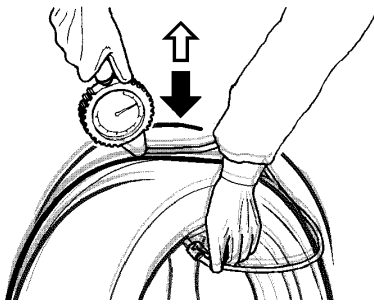
POUR COMPLETER L'ENJANTAGE DU TALON ET GONFLER LA ROUE CORRECTEMENT, LA PLACER DANS UNE CABINE HOMOLOGUEE.

QUELLE QU'EN SOIT L'ORIGINE, L'EXPLOSION D'UN PNEU PEUT PROVOQUER DES BLESSURES GRAVES VOIRE MORTELLES.

MEMES'IL EST POSSIBLE D'INTRODUIRE DES PNEUS AYANT UN DIAMETRE DE 1/2" PLUS PETIT QUE LA JANTE, LA TENUE DES TALONS DANS LES LOGEMENTS DE LA JANTE DANS UN TEL CAS N'EST PAS GARANTIE ET PEUT REPRESENTER UN DANGER POUR LES OCCUPANTS DU VEHICULE.







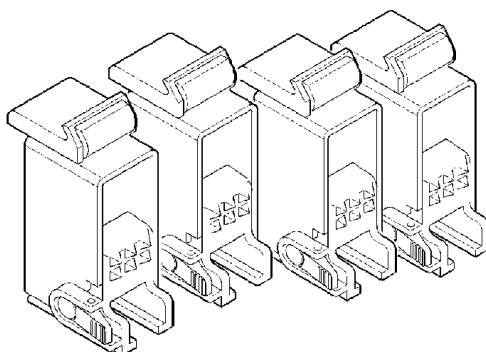
4.3-1



4.3-2



4.3-3



4.3-4

- Placer la roue dans une dispositif homologuée pour terminer le gonflage et faire en sorte que les talons pénètrent bien dans leur logement sur la jante.

Il arrive parfois que les pneus tubeless soient difficiles à enjanger, les talons ayant été forcés au cours du stockage, ce qui ne facilite pas la tenue sur la jante.

Dans ce cas, il peut être utile de poser la roue sur le sol et de la faire sauter en position verticale au moment où on envoie avec la pédale ou le pistolet de l'air comprimé (Figura 4.3-1).

#### Enjantage talon avec dispositif GP:

La machine peut être équipée d'un dispositif GP, nécessaire pour le montage des pneus tubeless sur jante.

(Fig. 4.3-2)

- Bloquer la roue sur l'autocentreur par l'intérieur de préférence (le blocage par l'extérieur réduit l'efficacité du dispositif).
- Raccorder le tube de l'air comprimé à la valve (2).
- Soulever le pneu des deux mains afin que le talon supérieur s'accroche contre le bord de la jante (Fig. 4.3-2).
- Appuyer à fond d'une façon rapide sur la pédale (1) de gonflage. Une grande quantité d'air est expulsée par les injecteurs placés sur les griffes et le talon inférieur adhère au bord de la jante en permettant le gonflage.

ARRETER LA COMMANDE DES QUE LES TALONS ADHERENT PARFAITEMENT A LA JANTE.

- Placer la roue dans une cage homologuée pour procéder au gonflage et faire en sorte que le talon pénètre bien dans son logement sur la jante.

(Fig. 4.3-3)

**ATTENTION :** QUAND LE DISPOSITIF D'ENJANTAGE TALON EST EN MARCHE, LE PORT D'EQUIPEMENTS DE PROTECTION DES YEUX ET DES OREILLES EST OBLIGATOIRE, LES GICLEURS D'AIR POUVANT PROJETER IMPURETES ET POUSSIERES.

## 4.4 Montage et Démontage Pneus Moto (en option)

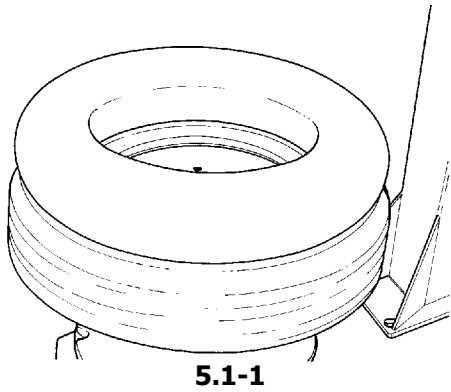
Pour opérer sur les pneus pour motocyclette, motoscooters/ATV il faut monter le kit adaptateurs à prise rapide sur les griffes de l'autocentreur (EAA0329G53A) (Figure 4.3-4) et la petite Palette Detallonneur.

La technique de détalonnage, de montage et de démontage est la même que pour les pneus pour auto.

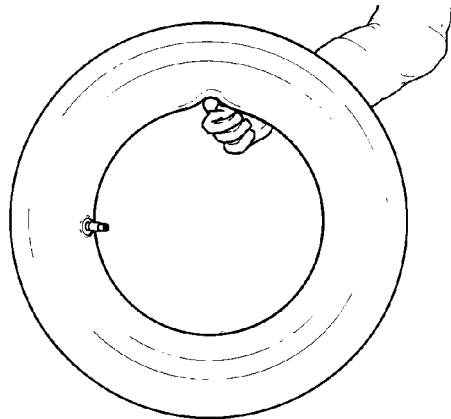
**REMARQUE :** En cas de difficultés pour le montage du talon supérieur suivre les instructions données au chapitre 4.2.1.

**ATTENTION**  
LES JANTES MOTO DOIVENT ÊTRE BLOQUÉES TOUJOURS PAR L'EXTÉRIEUR.

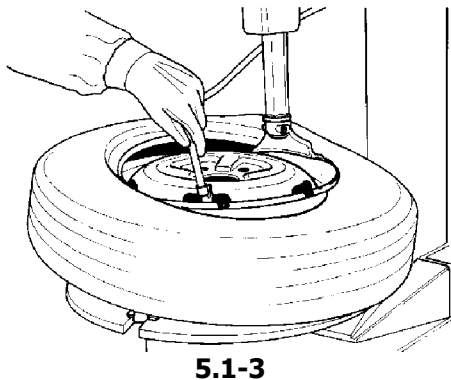
## 5.0 Démontage pneus avec chambre



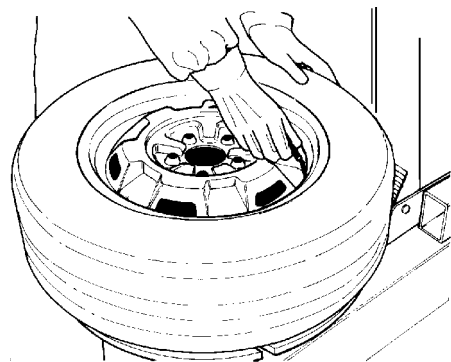
5.1-1



5.1-2



5.1-3



5.2-1

**A.** Pour le démontage opérer comme décrit pour les pneus sans chambre au § 4.1 A to 4.1.F.

Dans ce cas la vanne ne peut pas être remplacée car elle est unie à la chambre à air.

**AVERTISSEMENT ! NE PAS ENDOMMAGER LA CHAMBRE À AIR PENDANT L'OPÉRATION DE DÉTALONNAGE. LA VANNE DOIT ÊTRE EN POSITION OPPOSÉE À LA PALETTE DU DÉTALONNEUR.**

**REMARQUE :** Afin d'éviter tout endommagement de leur surface, les jantes en alliage léger sont serrées uniquement de l'extérieur. Des capuchons spéciaux en matière plastique sont disponibles en option pour les mors de serrage afin que les jantes en alliage léger puissent être serrées sans être endommagées.

**B.** Pour démonter le premier talon, la vanne devra être positionnée sur 3h.

**AVERTISSEMENT ! NE PAS PINCER LA CHAMBRE À AIR AVEC LE LEVIER QUAND ON SOULÈVE LE TALON SUR LA LANGUETTE DE L'OUTIL.**

Après avoir démonté le premier talon, enlever la chambre à air avant de démonter le deuxième talon, comme décrit au § 4.1

## 5.1 Montage pneus avec chambre

**A.** Opérer comme décrit au § 4.2.A.

NE PAS lubrifier la chambre à air. Si on le désire, utiliser de la poudre de talc pour faciliter le positionnement de la chambre à air dans le pneu.

**B.** Monter la vanne sur la chambre à air et l'appuyer sur l'enveloppe pour contrôler si la mesure est correcte (**Fig. 5.1-1**).

**C.** Gonfler un peu la chambre à air: si on la soutient de l'index elle doit se plier un peu (**Fig. 5.1-2**).

**D.** Monter le premier talon comme décrit au §4.2.B. Mettre la chambre à air dans le pneu et accrocher la vanne avec la pince du tuyau de gonflage (**Fig. 5.1-3**). Monter le deuxième talon comme le premier.

## 5.2 Gonflage pneus avec chambre

Débloquer la jante et commencer à gonfler le pneu en poussant la vanne vers l'intérieur pour éviter la formation de poches d'air entre la chambre à air et l'enveloppe (**Fig. 5.2-1**).

Contrôler si le pneu est bien centré sur la jante et terminer le gonflage comme décrit au § 4.3.

## 6.0 Entretien

**AVERTISSEMENT ! AVANT DE COMMENCER TOUTE OPÉRATION D'ENTRETIEN ET DE RÉPARATION DÉBRANCHER LA MACHINE DU RÉSEAU ÉLECTRIQUE ET DE L'AIR COMPRIMÉ.**

**A.** Nettoyer périodiquement la tige hexagonale avec un détergent liquide non inflammable. Lubrifier avec de l'huile (**Fig. 6.0-1**).

**B.** Nettoyer périodiquement toutes les parties métalliques en mouvement et lubrifier.

**C.** Nettoyer avec une brosse en acier les dents des griffes et contrôler les protections en plastique: si celles-ci sont détériorées les remplacer avec de nouvelles protections (**Fig. 6.0-2**).

**D.** Remplacer périodiquement les parties en plastique dans l'outil de montage/démontage.

**E.** Lubrifier les manchons des cylindres pneumatiques si nécessaire.

**F.** Laver périodiquement toutes les parties en plastique à l'eau froide et savon ou avec du produit pour les vitres.

**G.** Contrôler les supports du détalonneur et remplace si nécessaire.

**H.** Vider l'eau du filtre à air tous les jours.

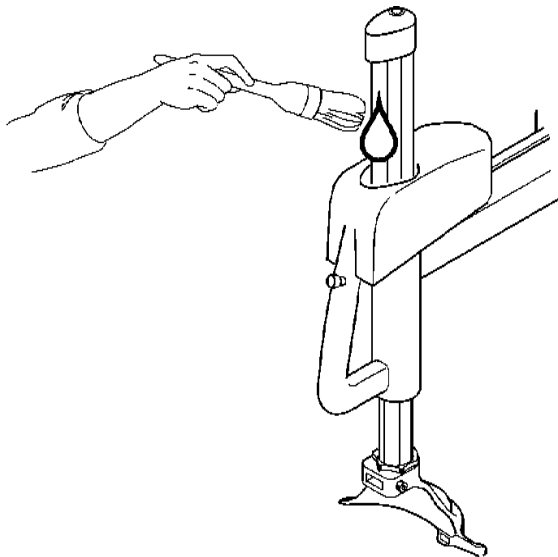
**I.** La machine est équipée d'un huileur automatique, contrôler régulièrement le niveau de l'huile (**Fig. 6.0-3**). Quand on ajoute de l'huile au graisseur, il faut tout d'abord débrancher le réseau de l'air comprimé, enlever ensuite la vis 'A' et ajouter de l'huile en quantité suffisante. S'assurer que les joints soient en position quand on monte l'embaîtement de nouveau . Vider tous les jours le filtre de l'eau en tirant la décharge rapide 'B' vers le bas.

**AVERTISSEMENT ! MAINTENIR HAUT LE NIVEAU DU HUILEUR, EN PARTICULIER POUR LES MACHINES ACTIONNÉES D'UN MOTEUR PNEUMATIQUE.**

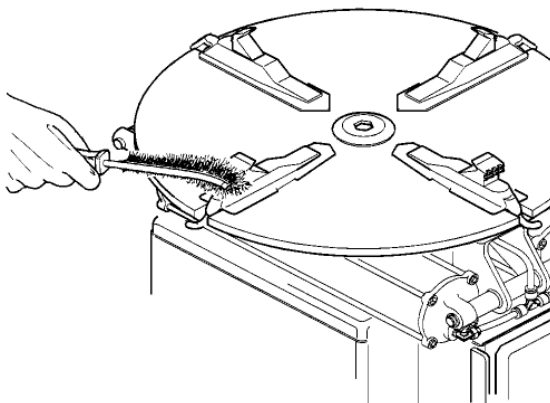
**AVERTISSEMENT ! UTILISER EXCLUSIVEMENT DES HUILES POUR DISPOSITIFS PNEUMATIQUES, NE PAS UTILISER DE LIQUIDE POUR FREINS OU D'AUTRE LUBRIFIANTS NON CONSEILLÉS.**

Huiles conseillées pour filtre/ huileur:  
WHITE MINERAL OIL: 15 cSt

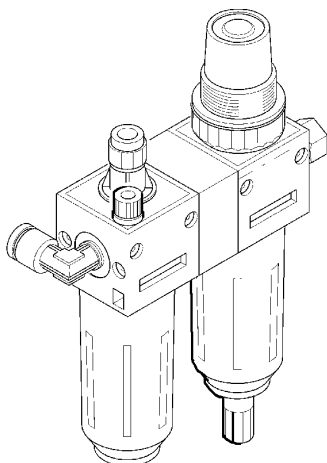
TAMOIL	: WHITE MINERAL OIL 15
SHELL	: ONDINA OIL 15
BP	: ENERGOL WT 3
TOTAL	: LOBELIA SB 15
ESSO	: MARCOL 82



6.0-1



6.0-2



6.0-3

## 7.0 VENTE

Pour la mise à la décharge de l'équipement arrivé en fin de vie, contacter le revendeur pour une offre ou pour connaître les instructions utiles à son démantèlement.



Ce symbole indique l'obligation d'effectuer le tri sélectif des appareils électriques et électroniques au moment de sa mise à la décharge.

## 7.1 Consignes de démolition

**Pour les équipements électriques et électroniques, voir la Directive européenne 2002/95/CE, 2002/96/CE et 2003/108/CE (RAEE)**

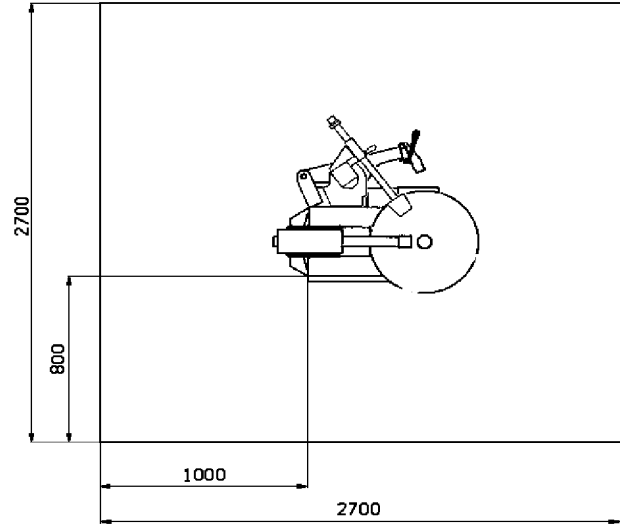
Au moment de la mise à la décharge, à la fin de la vie de cet équipement, il est obligatoire de :

1. Mettre la machine hors service ; ôter la fiche et couper le câble d'alimentation à proximité de sa sortie de la machine.
2. **NE PAS SE DÉFAIRE** de l'équipement comme s'il s'agissait d'un déchet urbain mais effectuer le tri sélectif en apportant les matériaux aux centres de collecte et de tri agréés.
3. S'informer auprès du revendeur pour connaître les endroits de collecte, de recyclage et de tri autorisés ou pour une éventuelle reprise de l'équipement en cas d'achat d'un neuf (obligation du « un pour un »).
4. Respecter les normes sur la gestion des déchets pour éviter tout risque probable de nuisances à l'environnement et à la santé des personnes. En cas de mise à la décharge illicite, le transgresseur est passible de sanctions administratives.

## i Conditions requises pour l'installation

L'INSTALLATION DOIT ÊTRE EFFECTUÉE PAR DU PERSONNEL QUALIFIÉ DANS LE RESPECT DES INSTRUCTIONS DONNÉES.

Installer la machine dans un lieu couvert et sec. L'installation de la machine nécessite un espace de 270x270cm (106"x106") (**Fig.i-1**).



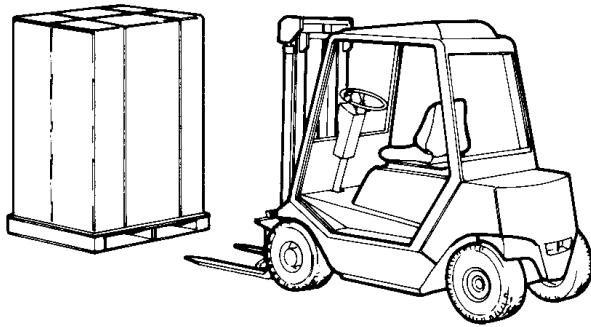
**i-1**

S'assurer que l'opérateur soit à même de visualiser tout l'appareil et la zone environnante de sa position de travail.

L'opérateur doit interdire, dans cette zone, la présence de personnes non autorisée et d'objets qui pourraient être une source de danger. La machine doit être montée sur un plan horizontal, lisse de préférence. Éviter les plans souples ou disjoints. Si la machine doit être installée sur des entresols ou des soupentes, les plans doivent avoir une portée de 5000N/m<sup>2</sup> (500 kg/m<sup>2</sup> ou 110lbsxsqft) au moins. La machine doit être fixée au sol par les logements spéciaux troués placés sur l'empattement.

On doit utiliser des chevilles de 12x120. On doit faire des trous en correspondance des ouvertures prévues avec une perceuse avec un foret de 12 mm. Ensuite, introduire les chevilles et placer la machine en correspondance des trous ainsi préparés. Introduire les vis et serrer avec une clé dynamométrique étalonnée à 70Nm.

## ii Transport – Déballage - Déplacement de la machine

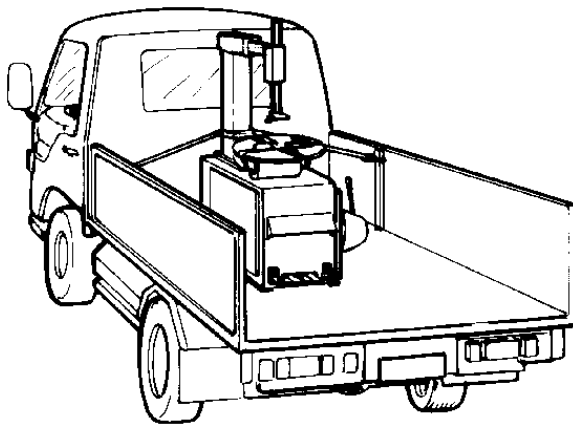


ii-1

### Transport

La machine est emballée dans une boîte de carton de robustesse adéquate. Cette boîte est montée sur une palette pour le transport. Le transport de la machine emballée doit être effectué avec un dispositif de levage spécial (chariot élévateur) (**Fig.ii-1**).

La machine peut aussi être montée sur une palette avec la potence montée. En ce cas, la machine doit être ancrée au moyen de transport par des courroies de robustesse appropriée accrochées à la potence (**Fig. ii-2**).



ii-2

### Déballage

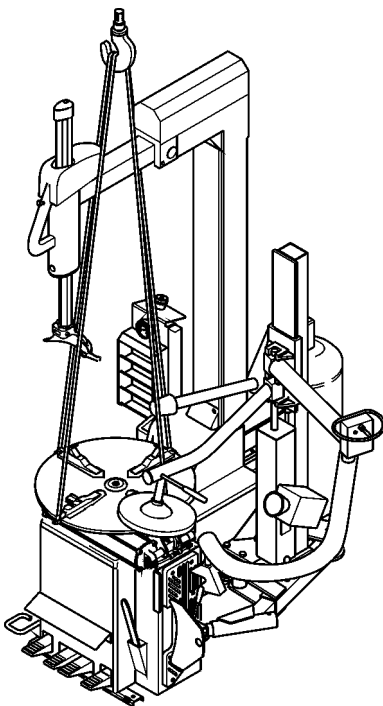
Il faut effectuer l'opération de déballage en faisant particulièrement attention au découpage des feuillards ou à toute autre opération qui puisse être dangereuse. Après avoir enlevé l'emballage, s'assurer de l'intégrité de la machine et de ses pièces, en contrôlant s'il y a des dommages visibles. En cas de doutes, ne pas utiliser la machine et s'adresser au personnel professionnellement qualifié.

Les éléments de l'emballage (sachets en plastique, polystyrène expansé, clous, vis, bois, etc.) ne doivent pas être abandonnés. Mettre les matériaux susmentionnés dans les lieux de ramassage spéciaux et les éliminer selon les règles locales en vigueur.

---

METTRE TOUJOURS DES GANTS PENDANT LE DÉBALLAGE POUR ÉVITER DES GRIFFURES OU DES ÉGRATIGNURES DUES AU CONTACT AVEC LE MATÉRIEL DE L'EMBALLAGE.

---



ii-3

### Déplacement de la machine

Si la machine doit être déplacée d'une position à une autre, procéder suivant les indications ci-dessous:

Debrancher les sources d'alimentation électrique et pneumatique.

Enlever du plateau de la machine les éventuels dispositifs ou les pièces qui pourraient tomber pendant le déplacement et causer ainsi des dangers.

Ne pas utiliser des cordages métalliques pour l'élingage. Utiliser des courroies de 3000 mm (10') de longueur et de Kg 500 (1100 lbs) de portée. Elinguer la machine comme montré dans la (**Fig. ii-3**).

### iii Procédures d'installation

#### Branchement électrique

**ATTENTION!** TOUTE INTERVENTION SUR LE SYSTÈME ÉLECTRIQUE ET LA CONNEXION D'UNE FICHE LORSQUE CELA EST NÉCESSAIRE, DOIT ÊTRE EFFECTUÉE EXCLUSIVEMENT PAR UN ÉLECTRICIEN QUALIFIÉ, CONFORMÉMENT À LA RÉGLEMENTATION EN LA MATIÈRE ET SUIVANT LES LOIS NATIONALES ET/OU LES RÈGLEMENTS LOCAUX EN VIGUEUR.

Les modèles standards des démonte-pneus possèdent des caractéristiques électriques spécifiques et sont conçus en fonction des différents réseaux d'alimentation en énergie électrique auxquels ils sont susceptibles d'être branchés: Voir la table de côté.

Les moteurs électriques admettent une tolérance égale à plus ou moins 10% environ de la tension.

Le câble de raccordement au réseau dont la machine est équipée, doit être muni d'une fiche homologuée, correctement dimensionnée, dans le respect des réglementations en vigueur dans le pays auquel la machine est destinée.

#### Pour le Technicien Installateur

L'électricien qualifié, dans le cas où il serait amené à installer une fiche, doit se référer aux données clairement reportées sur la plaquette apposée sur le câble d'alimentation électrique de la machine.

La mise en conformité du réseau électrique qui alimentera la machine **115 V** est à la charge de l'utilisateur. Il est recommandé d'installer des fusibles lents de **30 A**.

**20 A (25 A pour le Japon)** dans le cas d'une machine connecté au secteur **230 V** avec INVERTER ou interrupteur automatique équivalent (magnéto-thermique).

Vérifier s'il existe une mise à la terre et si elle fonctionne correctement.

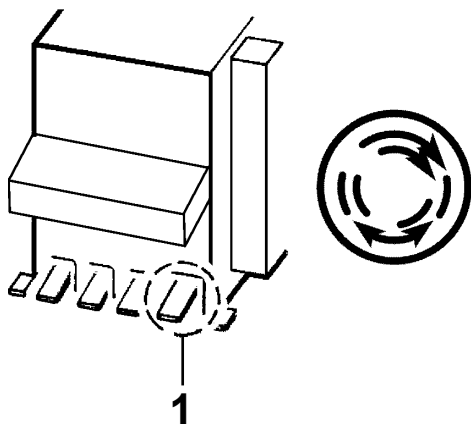
Le raccordement effectué, actionner vers le bas la pédale de commande de la rotation de l'autocentrant (**1, Fig. iii-1**) et vérifier s'il tourne dans le sens horaire.

Contrôler si le réseau électrique qui alimentera la machine est muni d'un dispositif d'interruption automatique contre les surintensités avec un différentiel réglé sur 30 mA.

**AVERTISSEMENT:** EN PRESENCE D'UN CONVERTISSEUR, IL EST CONSEILLÉ D'UTILISER EXCLUSIVEMENT DES INTERRUPTEURS DIFFÉRENTIELS DE TYPE **B**.

**Modèles standard**  
**1 Phase - 1 Vitesse**  
115 VAC, 1Ph, 60Hz, 12A

**Modèles standard**  
**1 Phase - 2 Vitesses**  
230 VAC, 1Ph, 50/60Hz, 16A



iii-1

## Branchement pneumatique

L'INSTALLATION PNEUMATIQUE DOIT ÊTRE EFFECTUÉE PAR DU PERSONNEL PROFESSIONNELLEMENT QUALIFIÉ.

La machine, comme le montre la plaquette du constructeur et l'étiquette mise à proximité du branchement de l'air, fonctionne avec alimentation pneumatique à une pression de 8 à 12 bar.

Contrôler si la pression du réseau est dans les limites demandées.

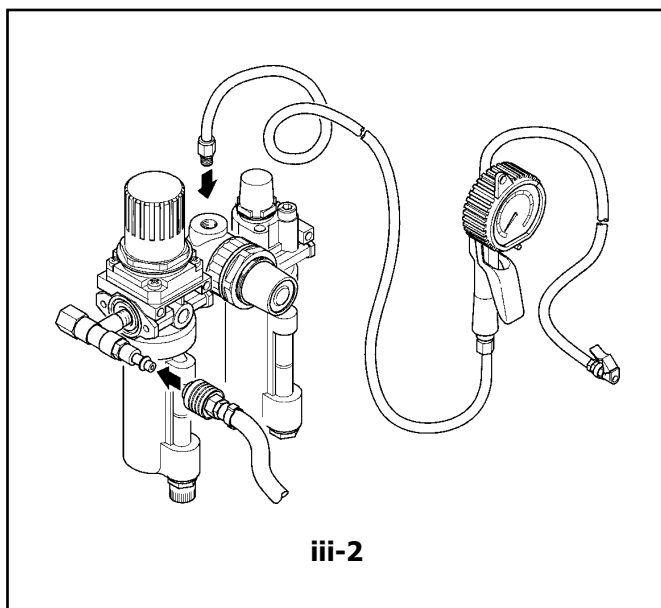
Si la pression de l'air est plus basse que le minimum demandé de 8 bar (110 psi) la force de blocage de l'autocentreur et la force du détalonneur peuvent être insuffisantes pour certains pneus. Si la pression est supérieure à 12 bar (170 psi), il faut installer un régulateur de pression avant la prise d'air de la machine (sur demande #4002916).

On conseille de monter sur le réseau de l'air comprimé un filtre supplémentaire pour réduire la quantité d'eau dans le réseau.

AVANT DE RELIER LA MACHINE AU RÉSEAU DE L'AIR COMPRIMÉ, CONTRÔLER QUE RIEN NE SOIT LAISSÉ SUR L'AUTOCENTREUR (UTILISÉTE).

Après avoir effectué tous ces contrôles, procéder comme il suit:

- Réliser le tuyau en caoutchouc au pistolet de gonflage et au plot d'alimentation, comme le montre la Fig.iii-2.
- Si l'on veut installer n'importe quel accessoire en option, il faut suivre les instructions de montage jointes.
- Relier la machine à la ligne de l'air comprimé (réglée à la pression max. de 12 bar) avec un tuyau en caoutchouc (à même de supporter la pression) de 6 mm de diamètre intérieur (**Fig. iii-2**).



- Si l'on installe un épurateur d'air, contrôler s'il fonctionne bien.

## iv Procédure de test

### Contrôle du sens de rotation du moteur

La pression de la première pédale sur la droite doit faire tourner l'autocentreur dans le sens des aiguilles d'une montre. En cas de rotation dans le sens inverse, arrêter les opérations et consulter le service après-vente du distributeur autorisé.

TOUT DOMMAGE DU AU NON RESPECT DE CES INDICATIONS NE SERA PAS ATTRIBUABLE AU CONSTRUCTEUR ET PROVOQUERA L'ÉCHEANCE DE LA GARANTIE.

### Contrôle des tuyaux pneumatiques

Pendant la première mise en service, contrôler si les raccords du tuyau pneumatique présentent des fuites.

## v Formation de l'Opérateur

(Cela s'applique seulement si la machine est installée par un technicien de service)

- Expliquer à l'opérateur la façon de mettre en marche et d'arrêter l'unité.

FR

**Remarque:** L'information contenue dans ce document est sujette à des modifications sans préavis. **John Bean** n'offre aucune garantie quant à ce matériel. **John Bean** ne sera pas tenu pour responsable des erreurs contenues ici ou des dommages indirects occasionnés par les accessoires, la performance ou l'utilisation de ce matériel.

Ce document contient des renseignements commerciaux protégés par droit d'auteur et brevets. Tous droits réservés. Aucune partie de ce document ne peut être photocopiée, reproduite ou traduite sans autorisation écrite de **John Bean**.



# HOFMANN®



## *monty 3550*

---

Manual de Operador

Desmontador Automático de Neumáticos



FAMILIA	NOMBRE	DESCRIPCIÓN / CARACTERÍSTICAS PRINCIPALES
3550	3550 3550 smartSpeed	Basic type - 115 V - single Speed. smartSpeed type - 230 V - two speeds.

## INFORMACIÓN DE SEGURIDAD

**Para su seguridad, lea este manual detenidamente antes de accionar la desmontadora de neumáticos**

Esta desmontadora de neumáticos debe ser utilizada solo por técnicos del sector automovilístico adecuadamente formados. Los mensajes de seguridad descritos en esta sección y en todo el manual recuerdan al operador que debe prestar la máxima atención durante el uso de estos equipos con los neumáticos.

Existen muchas variantes en cuanto a procedimientos, técnicas, herramientas y componentes para el montaje y desmontaje de los neumáticos, así como las capacidades personales del operador. A causa del elevado número de aplicaciones y usos potenciales de ruedas y neumáticos, el fabricante no puede prever ni garantizar recomendaciones o mensajes de seguridad que cubran cualquier situación. Es responsabilidad del técnico especializado conocer bien las ruedas con las que trabaja.

Es fundamental seguir los métodos de reparación y mantenimiento de manera adecuada y aceptable, evitando cualquier riesgo para la seguridad del operador, de las demás personas en la zona de trabajo y del vehículo mismo.

Se supone que, antes de utilizar la desmontadora de neumáticos, el operador conozca de manera completa las ruedas y los neumáticos que manipula. Además, se supone que conozca adecuadamente el funcionamiento y las características de seguridad del caballete, elevador o gato utilizado, y cuente con las herramientas manuales y eléctricas necesarias para un mantenimiento seguro del vehículo.

Antes de utilizar esta desmontadora de neumáticos, consultar y respetar siempre los mensajes de seguridad y los procedimientos indicados por los fabricantes de los equipos utilizados y del vehículo en cuestión.

 ¡IMPORTANTE! CONSERVAR ESTAS INSTRUCCIONES - ¡NO ELIMINARLAS!

# INSTRUCCIONES DE SEGURIDAD IMPORTANTES

Durante el uso de este equipo, respetar siempre las precauciones de seguridad básicas, que incluyen las siguientes:

1. Leer todas las instrucciones.
2. No poner en marcha un equipo con cable de alimentación dañado o que haya sufrido daños, hasta que un técnico cualificado y autorizado no lo haya examinado.
3. Si resultara necesaria una extensión, usar un cable con capacidad de corriente igual o superior al utilizado para el equipo. Un cable con capacidad inferior podría sobrecalentarse. Prestar atención a colocar el cable de manera que no sea posible tirarlo o tropezar.
4. Desconectar siempre el equipo de la toma de corriente cuando no se utiliza. Para hacerlo, no tirar nunca del cable, sino de la clavija. Agarrar el enchufe y tirar para desconectarlo.
5. Para reducir el riesgo de incendio, no utilizar el equipo cerca de recipientes abiertos de líquidos inflamables (gasolina).
6. Mantener cabello, prendas no ajustadas, dedos y cualquier parte del cuerpo lejos de las partes móviles.
7. Asegurar una ventilación adecuada durante el trabajo con motores de combustión interna.
8. Para reducir el riesgo de electrocución, no utilizar en superficies húmedas ni exponer a la lluvia.
9. No golpear ninguna parte de la máquina, no ha sido diseñada para soportar golpes.
10. No permitir que personal no autorizado utilice el equipo.
11. No desactivar ni eludir los sistemas de seguridad y respetar los procedimientos necesarios.
12. Seguir las instrucciones del presente manual. Utilizar exclusivamente los accesorios recomendados por el fabricante.
13. Bloquear siempre firmemente la llanta antes de activar la rotación.
14. **UTILIZAR SIEMPRE LAS GAFAS DE SEGURIDAD.** Las gafas normales solo tienen lentes resistentes al impacto, pero **NO** son gafas de seguridad.
15. El equipo solo debe utilizarse en lugares cerrados.

**CONSERVAR ESTAS INSTRUCCIONES**

## ÍNDICE DE CONTENIDOS

	INFORMACIÓN DE SEGURIDAD	Page 5
	Señales de seguridad	Page 6
1.0	Introducción	Page 7
1.1	Nombres de los componentes	Page 7
1.2	Especificaciones	Page 8
1.3	Dimensiones de la máquina	Page 8
1.4	Accesorios	Page 8
1.5	Advertencias generales	Page 9
1.5.1	Precauciones	Page 9
2.0	Instalación de los accesorios	Page 10
2.1	Instalación del kit: - GARRAS DESLIZABLES +4"	Page 10
2.2	SUSTITUCIÓN RÁPIDA PARA HERRAMIENTA	Page 11
2.3	Barra hexagonal con rodillo descentrado	Page 13
3.0	Mandos	Page 14
4.0	Precauciones de montaje y desmontaje	Page 16
4.1	Desmontaje de neumáticos sin cámara (tubeless)	Page 16
4.1.1	Uso del aprieta talón para facilitar el desmontaje	Page 18
4.2	Montaje de neumáticos sin cámara (tubeless)	Page 19
4.2.1	Uso del aprieta talón para facilitar el montaje	Page 19
4.3	Entalonado de los neumáticos	Page 20
4.4	Montaje y desmontaje de neumáticos de motocicletas	Page 21
5.0	Desmontaje de neumáticos con cámara	Page 22
5.1	Montaje de neumáticos con cámara	Page 22
5.2	Inflado de neumáticos con cámara	Page 22
6.0	Mantenimiento	Page 23
7.0	Eliminación del dispositivo	Page 24
7.1	Información para la eliminación	Page 24
i	Requisitos de Instalación	Page 24
ii	Transporte – Desembalaje - Transporte	Page 25
iii	Procedimiento de Instalación	Page 26
iv	Procedimiento de prueba	Page 27
v	Instrucciones para el operador	Page 27

**⚠ DANGER**

Neumáticos y llantas de diámetros distintos son incompatibles y no se pueden combinar.

- **No intentar NUNCA montar o inflar un neumático con una llanta incompatible.**
- **Comprobar SIEMPRE que el diámetro del neumático coincida con el de la llanta.**

*Un neumático con una llanta incompatible puede explotar causando lesiones personales graves o incluso la muerte*

**⚠ WARNING**

Los neumáticos demasiado presurizados pueden explotar proyectando residuos.

- **Leer y entender el contenido del Manual del operador antes del uso.**
- **Mantener las personas ajenas lejos del área de trabajo.**
- **Utilizar SIEMPRE las gafas de seguridad.**
- **Comprobar SIEMPRE que el diámetro del neumático coincida con el de la llanta.**
- **No intentar NUNCA montar o inflar un neumático con una llanta de diámetro distinto.**
- **Inspeccionar los neumáticos y no inflarlos NUNCA si están dañados, desgastados o deteriorados.**
- **No inflar NUNCA llantas "de dos piezas" en esta desmontadora, quitarlas y utilizar exclusivamente una jaula de inflado de seguridad diseñada y aprobada para este fin.**
- **Antes de intentar inflar el neumático, bloquear la garra del plato autocentrante en la parte interior de la llanta.**
- **Aplicar lubricante específico para talones antes de quitar o instalar el neumático en la llanta.**
- **Posicionar SIEMPRE el "brazo de sujeción de seguridad" encima de la rueda, para bloquearla en el plato autocentrante durante el inflado.**
- **Si un neumático explotara en la desmontadora, INTERRUMPIR el uso del equipo y sustituir el "brazo de sujeción de seguridad", aunque no se noten daños visibles.**
- **No colocar NUNCA la cabeza o el cuerpo encima de un neumático durante su inflado.**
- **Suministrar aire en intervalos cortos para que los talones se introduzcan en su alojamiento, controlar a menudo la presión del neumático.**
- **No superar NUNCA los límites de presión indicados por el fabricante del neumático.**
- **No intentar NUNCA eludir o manipular el limitador de presión integrado. Inflar el neumático exclusivamente con el tubo flexible suministrado con la desmontadora. No utilizar NUNCA tubos presentes en el taller para el inflado.**
- **La desmontadora de neumáticos, si está equipada con un "brazo de sujeción de seguridad", debe anclarse al suelo.**

*La explosión de un neumático puede causar lesiones graves.*

## INSTRUCCIONES: Interpretación de las señales de seguridad ¡IMPORTANTE! CONSERVAR ESTAS INSTRUCCIONES



El inflado excesivo o el montaje en llantas de dimensión equivocada puede provocar la explosión del neumático con proyección de residuos.

- Leer y comprender las instrucciones de uso antes de utilizar la desmontadora de neumáticos.
- No montar nunca un neumático en una llanta con diámetro distinto.
- No superar nunca la presión de inflado máxima indicada en el lado del neumático.
- Utilizar siempre el brazo de sujeción de seguridad para mantener la rueda bloqueada durante el inflado.
- Utilizar siempre el tubo específico suministrado para el inflado.

La explosión de un neumático puede causar lesiones graves o incluso la muerte.



Riesgo de descargas eléctricas.

- No poner en marcha un equipo con cable de alimentación dañado o que haya sufrido caídas o daños, hasta que un técnico cualificado no lo haya examinado.
- Si resultara necesaria una extensión, usar un cable con capacidad de corriente igual o superior al utilizado para el equipo. Un cable con capacidad inferior podría sobrecalentarse.
- Desconectar siempre el equipo de la toma de corriente cuando no se utiliza. Para hacerlo, no tirar nunca del cable, sino de la clavija.
- No exponer el equipo a la lluvia. No utilizar en superficies húmedas.
- Conectar el equipo a una toma de corriente adecuada.
- No quitar ni excluir la toma de tierra.

El contacto con el alta tensión puede causar lesiones graves o incluso la muerte.



Riesgo de descargas eléctricas. El equipo funciona con alta tensión.

- El equipo no incluye partes que puedan ser reparadas o mantenidas por el usuario.
- Cualquier operación de mantenimiento y reparación debe ser realizada por personal cualificado.
- No abrir partes del equipo con acceso no autorizado.
- Apagar el equipo y desconectarlo de la alimentación antes de mantenimiento o reparaciones.

El contacto con el alta tensión puede causar lesiones graves o incluso la muerte.



Riesgo de aplastamiento.

- Familiarizarse con todos los mandos antes de utilizar el equipo.
- Mantenerse a distancia del brazo destalonador, cuando está en marcha.
- Si es necesario, suministrar aire al destalonador de manera discontinua, para controlar la profundidad del brazo.
- No permitir que personas ajenas se acerquen al equipo.

El contacto con partes móviles puede provocar lesiones.



Riesgo de atrapamiento o aplastamiento de manos y dedos.

- Mantener manos y dedos alejados del borde de la llanta durante las fases de montaje y desmontaje.
- Mantener manos y dedos alejados de la cabeza de montaje/desmontaje durante el funcionamiento.
- Mantener manos y otras partes del cuerpo alejadas de las superficies móviles.
- No utilizar herramientas distintas de las suministradas con la desmontadora de neumáticos.
- No utilizar accesorios no aprobados.
- No eludir ningún dispositivo de seguridad.
- Utilizar un lubricante apropiado para evitar el roce del neumático.

El contacto con partes móviles puede provocar lesiones.



Riesgo de lesiones oculares. De los neumáticos pueden caer residuos, suciedad y líquidos.

- Eliminar cualquier residuo de la banda de rodamiento y de las superficies del neumático.
- Eliminar cualquier exceso de lubricante antes del inflado.
- Quitar los residuos sueltos. Si es necesario, limpiar las superficies para evitar la caída de material.
- Utilizar gafas de seguridad adecuadas durante las fases de montaje y desmontaje.

La proyección de residuos, suciedad y líquidos puede provocar lesiones oculares graves.



Riesgo de lesiones. En caso de uso o mantenimiento incorrecto, las herramientas pueden romperse o resbalar.

- Utilizar la herramienta correcta para la tarea que se realiza.
- Inspeccionar, limpiar y lubricar (si procede) frecuentemente todas las herramientas.
- Para llevar a cabo las operaciones de mantenimiento y reparación, seguir los procedimientos recomendados.

La rotura o el resbalamiento de las herramientas puede causar lesiones.



Peligro de golpe y arrastre:

- no hacer girar el plato autocentrante sin rueda montada
- no acercarse a la brida en movimiento
- prestar atención a las garras cuando salen de la brida
- no colocar objetos salientes en la brida
- no colocar objetos salientes cerca de la brida

El contacto con partes en movimiento podría causar lesiones

## 1.0 Introducción

Enhorabuena por comprar la desmontadora de neumáticos eléctrica/neumática “**John Bean EHP Sys V**”.

Esta desmontadora ha sido diseñada para garantizar facilidad de uso, manipulación segura de las llantas, fiabilidad y velocidad.

Esta combinación de características brindará más provecho y versatilidad al taller, permitiendo trabajar con ruedas de aluminio o aleación de magnesio sin dañar las llantas del cliente.

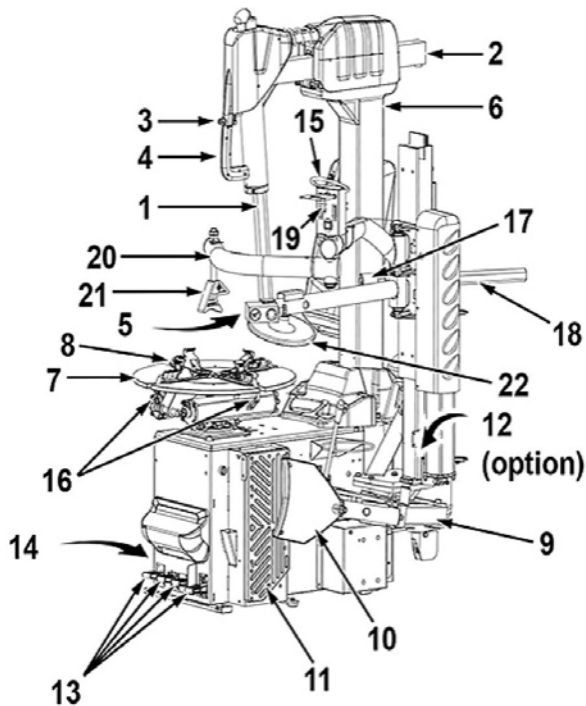
Con un mantenimiento y un cuidado muy limitados, la desmontadora de neumáticos ofrecerá muchos años de funcionamiento sin interrupciones.

Leer con atención el presente manual antes de utilizar el equipo. Su contenido incluye instrucciones para el uso y requisitos de mantenimiento y funcionamiento de la máquina.

**GUARDAR EL MANUAL EN UN LUGAR SEGURO PARA CONSULTAS FUTURAS. LEER ATENTAMENTE EL PRESENTE MANUAL ANTES DE UTILIZAR LA MÁQUINA.**

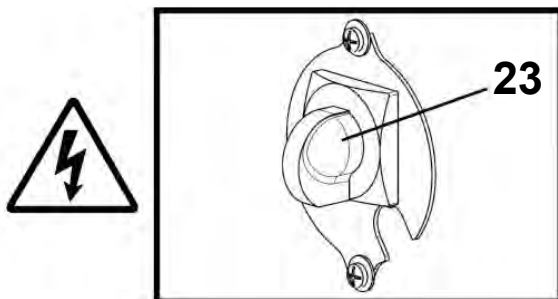
### 1.1 Nombres de los componentes

Antes de instalar y utilizar la desmontadora de neumáticos eléctrica/neumática, se recomienda familiarizar con los nombres de sus componentes (**Fig. 1.1-1**).



1.1-1

- 1 Guía vertical
- 2 Brazo de montaje, deslizante horizontalmente
- 3 Palanca con botón
- 4 Asa
- 5 Herramienta de montaje/desmontaje
- 6 Torre o columna
- 7 Plato autocentrante
- 8 Garra multi-posición
- 9 Brazo destalonador
- 10 Paleta destalonador
- 11 Soportes destalonador
- 12 Caja lubricante
- 13 Pedales
- 14 Pedal dispositivo de entalonado/inflador
- 15 Manómetro de inflado
- 16 Boquilla (EN OPCION)
- 17 Rodillo talón superior
- 18 Brazo horizontal talón
- 19 Palanca de mando subida/bajada
- 20 Brazo aprieta talón
- 21 Herramienta aprieta talón
- 22 Rodillo talón inferior
- 23 Encendido y apagado (solo para 220V)



1.1-2

**Nota:** Cuando la unidad no tiene un interruptor para encender o apagar la máquina (**23, Fig. 1.1-2**), desconecte y vuelva a conectar el enchufe de alimentación.

**ATENCIÓN:** SE RECOMIENDA APAGAR LA UNIDAD AL TERMINAR LA JORNADA DE TRABAJO.

## 1.2 Especificaciones

Esta desmontadora de neumáticos eléctrica/neumática para coches, vehículos comerciales ligeros y motocicletas ha sido diseñada para llantas de una pieza.

**Peso** 925 lbs (420 Kg)  
**Presión aire** psi 110-170 (8-12 bar)  
**Fuerza destalonador** lbs 3300 (15 kN)

**Especificaciones Eléctricas:** 115 V, 1Ph, 60Hz, 12A  
**Motor power** kW 0.75 (HP 1)  
**Vitesse de rotation de l'autocentreur:** 7 t/min

**Especificaciones Eléctricas:** 230 V, 1Ph, 50/60 Hz, 16A  
**Motor monofásico** kW 0.75 (HP 1)  
**Velocidad de rotación del centrador:** 7-18 rpm  
**Par máximo** lbf-ft 738 (Nm 1000)

**Diám. máx. rueda** 47" (mm 1270)  
**Anchura máx. de llanta** 16" (mm 405)  
**Bloqueo desde el exterior** 12"-26"  
**Bloqueo desde el interior** 14"-28"  
**Bloqueo con adaptadores moto** 10"-25"  
**Bloqueo con adaptadores moto** 8"-23"

**Presión acústica** <70dBA  
**Presión acústica - hichador de Tubeless** 120dBA

## 1.3 Dimensiones de la máquina

**L** - Anchura maxima 67"3/4 (mm 1720)  
**P** - profundidad maxima 75"1/2 (mm 1920)  
**H** - Altura maxima 85" (mm 2160)

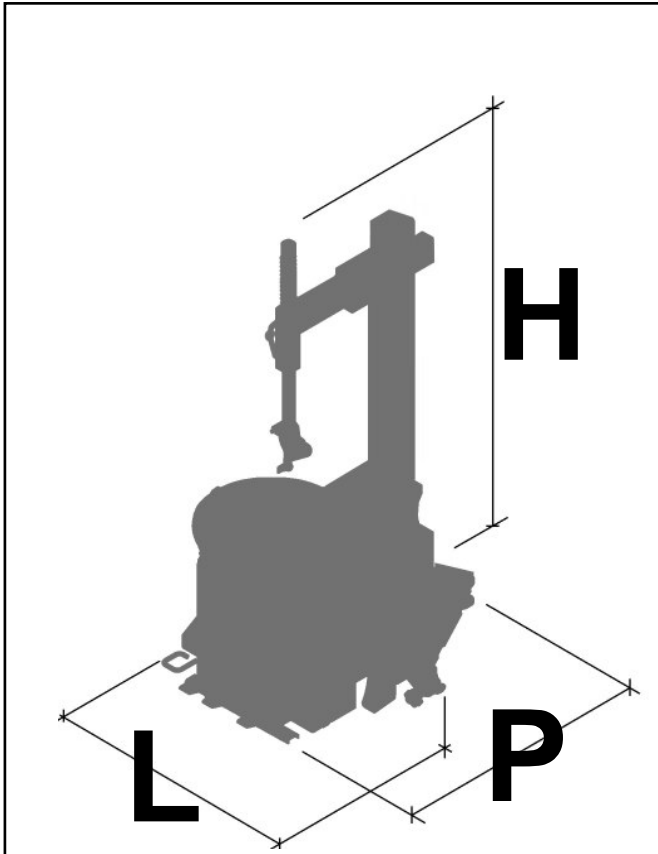
## 1.4 Accesorios

La máquina dispone de una serie de accesorios. Todos los accesorios están enumerados en el sitio web: <http://service.snapon-equipment.net/>

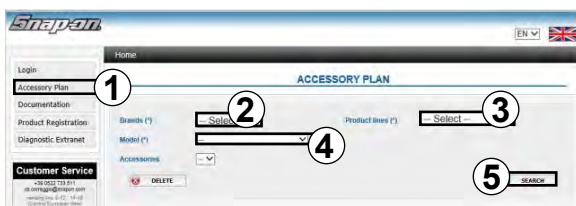
Después de acceder a la página web (**Fig.1.1-4**), realizar las siguientes operaciones:

- Seleccionar Accessory Plan (**1**).
- Seleccionar la Marca en el campo **Brands** (**2**).
- Seleccionar el Tipo producto "Tyre changers" en el campo **Product lines** (**3**).
- Abrir el campo **Model** (**4**) y seleccionar el propio modelo de máquina entre los de la lista.
- Introducir "**SEARCH**" (**5**) para visualizar la lista de los accesorios disponibles.

- Utilizar los códigos de la lista para realizar los pedidos de compra.



1.1-3



1.1-4



## 1.5 Advertencias generales



**B**



**D**

**A.** DURANTE EL USO Y EL MANTENIMIENTO DE LA MÁQUINA, CUMPLIR CON TODAS LAS LEYES Y LOS REGLAMENTOS PARA LA PREVENCIÓN DE ACCIDENTES.

**B.** LA FUENTE DE ALIMENTACIÓN DEBE DISPONER DE UN CABLE DE MASA, AL CUAL SE DEBERÁ CONECTAR EL CABLE DE MASA DE LA MÁQUINA (AMARILLO Y VERDE).

**C.** ANTES DE REALIZAR CUALQUIER OPERACIÓN DE MANTENIMIENTO O REPARACIÓN, DESCONECTAR LA MÁQUINA DE LA ALIMENTACIÓN ELÉCTRICA Y NEUMÁTICA.

**D.** NO LLEVAR NUNCA CORBATAS, COLLARES O ACCESORIOS PARECIDOS DURANTE EL USO, EL MANTENIMIENTO O LA REPARACIÓN DE LA MÁQUINA. EL PELO LARGO TAMBIÉN PUEDE SUPONER UN RIESGO Y DEBE LLEVARSE RECOGIDO EN UN GORRO. EL USUARIO DEBE UTILIZAR EQUIPOS DE PROTECCIÓN INDIVIDUAL ADECUADOS, COMO: GUANTES, CALZADO Y GAFAS DE SEGURIDAD.

**E.** MANTENER TODOS LOS CABLES ELÉCTRICOS EN BUEN ESTADO.

**F.** MANTENER LOS DISPOSITIVOS DE SEGURIDAD MONTADOS Y EN CONDICIONES OPERATIVAS.

**G.** MANTENER LIMPIA LA ZONA DE TRABAJO. UN ENTORNO DESORDENADO FAVORECE LOS ACCIDENTES.

**H.** EVITAR SITUACIONES PELIGROSAS. NO UTILIZAR HERRAMIENTAS O EQUIPOS ELÉCTRICOS EN LUGARES HÚMEDOS O MOJADOS, NI EXPONERLOS A LA LLUVIA.

**J.** ASEGURAR UNA BUENA ILUMINACIÓN EN LA ZONA DE TRABAJO.

### 1.5.1 Precauciones

EL USO DE ESTE DISPOSITIVO ESTÁ PERMITIDO SOLO A PERSONAL ADECUADAMENTE FORMADO POR UN DISTRIBUIDOR AUTORIZADO *JOHN BEAN*.

CUALQUIER USO INCORRECTO O ALTERACIÓN DEL DISPOSITIVO O DE SUS COMPONENTES SIN LA AUTORIZACIÓN PREVIA DEL FABRICANTE EXIME AL MISMO DE TODA RESPONSABILIDAD POR DAÑOS CONSECUENTES O RELACIONADOS CON DICHO USO INDEBIDO.

CUALQUIER USO INCORRECTO O CUALQUIER ALTERACIÓN DEL DISPOSITIVO O SUS COMPONENTES NO SERÁN AUTORIZADOS POR EL FABRICANTE. EL FABRICANTE SERÁ LIBERADO DE CUALQUIER RESPONSABILIDAD POR DAÑOS CONSECUENTES O RELACIONADOS CON DICHO USO.

LA ELIMINACIÓN O EXCLUSIÓN DE LOS DISPOSITIVOS DE SEGURIDAD O DE LAS ETIQUETAS DE ADVERTENCIA DE LA MÁQUINA VIOLA LAS NORMAS DE SEGURIDAD.

EL USO DEL DISPOSITIVO ESTÁ PERMITIDO SOLO EN LUGARES SIN RIESGO DE EXPLOSIÓN NI INCENDIO.

UTILIZAR SOMENTE REPUESTOS Y ACCESORIOS ORIGINALES.

LA MÁQUINA DEBE SER INSTALADA SOLO POR PERSONAL CUALIFICADO Y SIGUIENDO LAS INSTRUCCIONES DEL PRESENTE MANUAL.

SI SE DETECTARA UN FUNCIONAMIENTO INCORRECTO, INTERRUMPIR EL USO DE LA MÁQUINA Y CONTACTAR CON EL DISTRIBUIDOR AUTORIZADO *JOHN BEAN* PARA RECIBIR ASISTENCIA.

## 2.0 Instalación de los accesorios

### 2.3.1 Instalación del kit: EAA0332G91A - KIT DE GARRAS DESLIZABLES +4" (opcional)

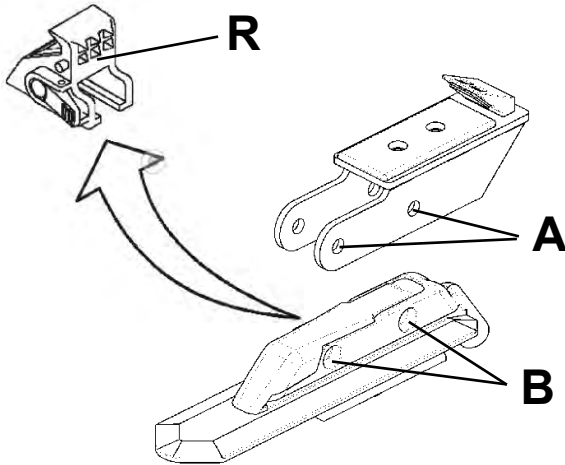
**ADVERTENCIA**

**ANTES DE LA INSTALACIÓN, DESCONECTAR LA DESMONTADORA DE NEUMÁTICOS DE LA ALIMENTACIÓN ELÉCTRICA Y DE AIRE COMPRIMIDO.**

Véase la **figura 2.0-1**

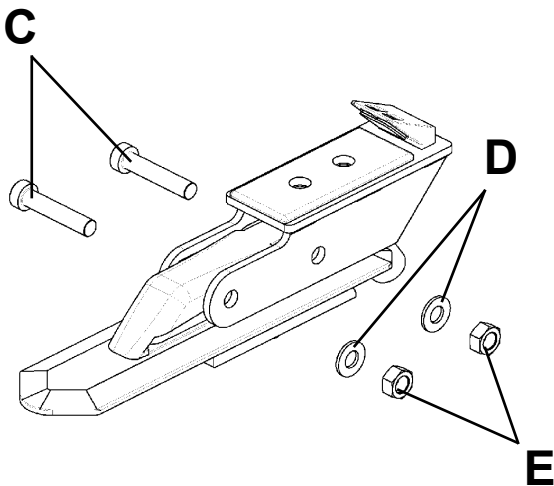
1) Quitar las garras estándar (**R**), presentes en el plato autocentrante de la desmontadora.

2) Introducir las garras +4" suministradas con el kit en las partes deslizables del plato autocentrante, alineando sus orificios laterales (**A**) con los orificios (**B**) de dichas partes.



**2.0-1**

**ATENCIÓN:** FIJAR LAS PARTES DESLIZABLES CON TORNILLOS EN AMBOS ORIFICIOS.



**2.0-2**

Véase la **figura 2.0-2**

3) Introducir los tornillos (**C**) en los orificios laterales de las garras, por el lado opuesto colocar las arandelas (**D**) y atornillar las tuercas (**E**).

**NOTA:** Si los orificios (**B**) en las partes deslizables están obstruidos por la suciedad, limpiarlos introduciendo **MANUALMENTE** varias veces una broca helicoidal de 8 mm de diámetro.

**ATENCIÓN:** UNA VEZ INSTALADAS, LAS GARRAS DEBEN RESULTAR EQUIDISTANTES DEL CENTRO DEL PLATO AUTOCENTRANTE.

## 2.2 Instalación del kit: EAA0304G80A - KIT DE SUSTITUCIÓN RÁPIDA PARA HERRAMIENTA CON EXTENSIÓN +4" (opcional)

### ADVERTENCIA

**ANTES DE LA INSTALACIÓN, DESCONECTAR LA DESMONTADORA DE NEUMÁTICOS DE LA ALIMENTACIÓN ELÉCTRICA Y DE AIRE COMPRIMIDO.**

### Operaciones preliminares

Véase la **figura 2.0-3**

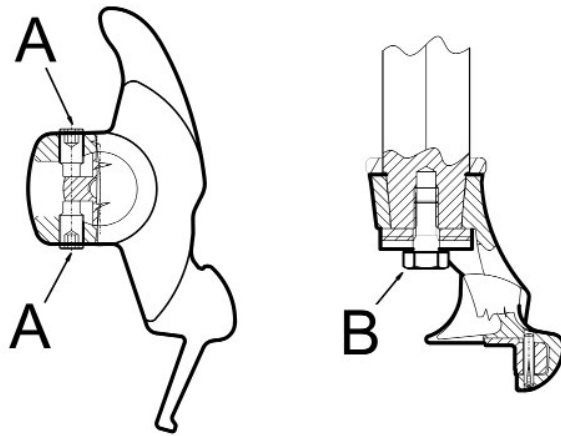
- 1) Quitar los dos tornillos (A) de la herramienta montada en la desmontadora de neumáticos.
- 2) Desatornillar y quitar el tornillo de fijación (B) debajo de la herramienta.
- 3) Si la desmontadora cuenta con una palanca mecánica para bloquear el vástago hexagonal, utilizarla para apretar el vástago. Memorizar la posición de la herramienta y quitarla del vástago hexagonal.

**NOTA:** Sujetar el vástago hexagonal con las manos para evitar que el muelle vertical lo empuje hacia arriba.

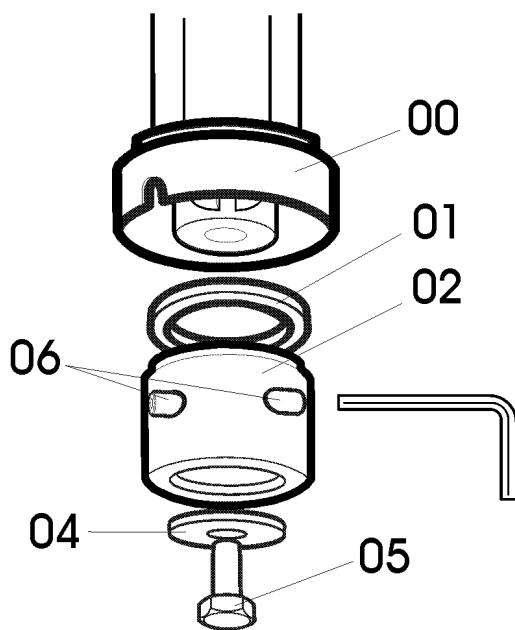
### Instalación del kit

Véase la **figura 2.0-4**

- 4) Introducir la virola roscada (C) y la arandela 41x53x2 (D), luego posicionar el casquillo de conexión (E) en el vástago hexagonal, de manera que los orificios para los tornillos de regulación estén hacia arriba y alineados con los orificios en el vástago.
- 5) Introducir la arandela 10x32 (H) y el tornillo 10x20 (G) a mano, sin ajustarlo.
- 6) Atornillar los dos tornillos (F) suministrados en el kit de manera uniforme, sin ajustarlos, para que el casquillo quede centrado.
- 7) Ajustar los tornillos (F) a tope, apretándolos poco a poco de manera alternativa, y finalmente ajustar el tornillo inferior (G).



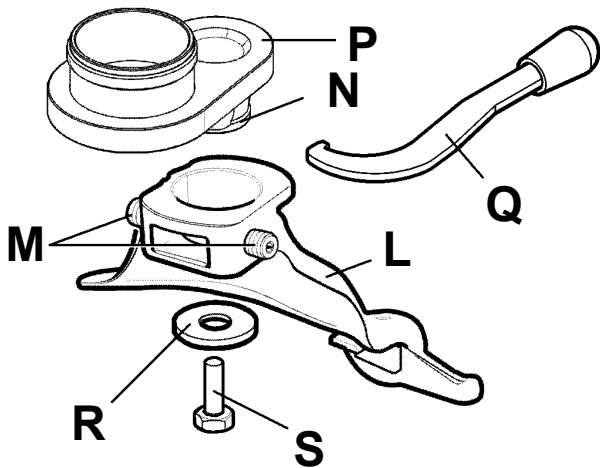
2.0-3



2.0-4

## Instalación de la herramienta suministrada en el kit

Véase la **figura 2.0-5**



2.0-5

8) Montar la herramienta suministrada (L) en la conexión rápida para la extensión, de manera que los tornillos de regulación (M) estén alineados con los alojamientos (N) en el cubo de la conexión.

9) Atornillar los tornillos (M) en la herramienta de manera uniforme, sin ajustarlos.

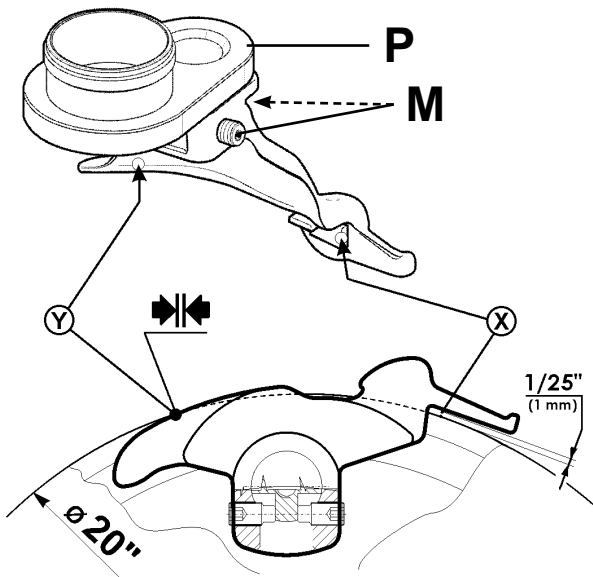
10) Atornillar el tornillo 10x30 (S) con la arandela 10x38 (R) a mano, sin ajustarlo.

11) Introducir este conjunto en el casquillo montado anteriormente. Ajustar la virola con la llave suministrada en el kit (Q).

**NOTA:** Colocar la herramienta en la desmontadora, en la misma posición donde se encontraba la original que se ha quitado.

## Regulación de la herramienta:

Véase la **figura 2.0-6**



2.0-6

Una vez montada la herramienta en la conexión rápida, es necesario regularla utilizando los dos tornillos (M), para que se encuentre en la posición más adecuada para las ruedas que se montarán.

12) Conectar la desmontadora de neumáticos a la alimentación eléctrica y de aire comprimido.

13) Colocar y fijar en el plato autocentrante una nueva llanta o una llanta en buen estado de 20" de diámetro.

14) Aflojar los dos tornillos (M) y el tornillo inferior, de manera que la herramienta no esté firmemente bloqueada y pueda efectuar una pequeña rotación en su cubo de soporte (P).

15) Acercar la herramienta al borde de la llanta, como se hace normalmente, y bloquearla en esta posición.

16) Ajustar uno de los dos tornillos de regulación de manera que la parte interior del gancho de la herramienta se encuentre a aprox. 1/25" (1 mm) del borde de la llanta, como indica el punto (X), y el borde opuesto de la herramienta esté alineado con el de la llanta, como indica el punto (Y).

17) Ajustar ambos tornillos, manteniendo la herramienta en esta posición. Alejar la herramienta del borde de la llanta, luego ajustar a tope el tornillo (S fig. 2.0-5) con un par de 35 Nm.

## Instalación y regulación de la herramienta original de la desmontadora

Véase la **figura 2.0-7**

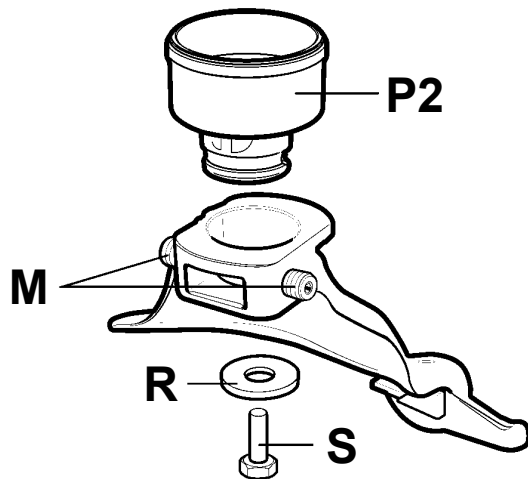
18) Fijar la herramienta anteriormente desmontada de la máquina en la segunda conexión rápida (**P2**) suministrada en el kit. Repetir las operaciones de instalación descritas en los puntos de 8 a 11.

19) Regularla como se describe en los puntos 14 y 15.

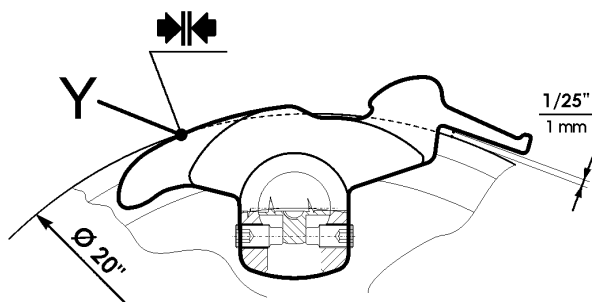
20) Ajustar uno de los dos tornillos de regulación de manera que la parte interior del gancho de la herramienta se encuentre a aprox. 1/25" (1 mm) del borde de la llanta, y al mismo tiempo, el borde opuesto de la herramienta esté alineado con el de la llanta, como se indica en la figura (punto **Y** fig. 2.0-8).

21) Completar el procedimiento de regulación como se indica en el punto 17.

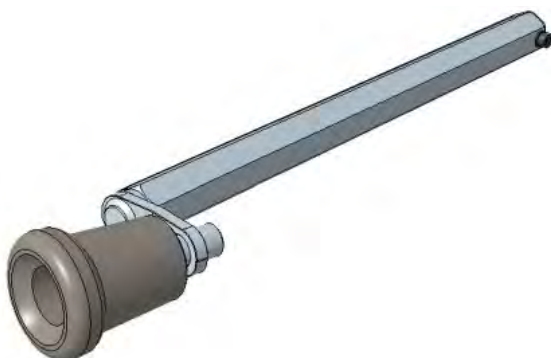
22) Quitar la llanta del plato autocentrante.



**2.0-7**



**2.0-8**



**2.0-9**

### Ahora el kit está listo para el uso.

Es posible utilizar la herramienta estándar para llantas normales, o sustituirla rápidamente con la herramienta con la extensión de +4" si se trabaja con llantas de diámetro superior a la capacidad nominal de la desmontadora de neumáticos.

La sustitución de la herramienta es realmente rápida, permitiendo trabajar con llantas de hasta cuatro pulgadas más grandes del diámetro máximo admitido por la máquina.

### 2.3 Barra hexagonal con rodillo offset Kit: EAA0507G98A (opcional)

#### Instalar la barra hexagonal horizontal:

- Introduzca la varilla hexagonal con rodillo en la sede inferior de la guía móvil, orientándola como muestra al figura 2.0-9.

**ATENCIÓN: EL MONTAJE INCORRECTO DE LA VARILLA PUEDE PROVOCAR DAÑOS AL NEUMÁTICO.**

### 3.0 Mandos

Antes de utilizar la máquina, asegurarse de haber comprendido bien el funcionamiento de todos los mandos (fig. 3.0-1).

**A.** Presionar y soltar, CON EL PIE IZQUIERDO, el primer pedal desde la izquierda: la columna se inclina hacia atrás. Repetir la operación: la columna se inclina hacia adelante.

**ATENCIÓN:**  
**¡PELIGRO DE APLASTAMIENTO DEL CUERPO!**

PARA MINIMIZAR EL RIESGO DE ARAÑAR LAS LLANTAS DE ALEACIÓN, BLOQUEARLAS EXTERIORMENTE.

**B.** Presionar y soltar, CON EL PIE IZQUIERDO, el segundo pedal desde la izquierda: las garras del plato autocentrante se cierran. Repetir la operación: las garras se abren. Es posible detenerlas en cualquier posición, presionando y soltando el pedal antes de que lleguen al final de su carrera.

**ATENCIÓN:**  
**¡MANTENGA LAS MANOS Y LOS DEDOS ALEJADOS DE LA LLANTA!**

**C.** Presionar y mantener presionado, CON EL PIE DERECHO, el primer pedal desde la derecha: el plato autocentrante gira hacia la derecha.

1. 3/4 aproximadamente, el plato gira a la velocidad mínima. En esta condición, el par es máximo.

2. Hasta el fondo, el plato gira a la velocidad máxima (solo para 220V).

Levantar el pedal para una rotación hacia la izquierda.

**D.** Abrir el brazo destalonador. Presionar y mantener presionado, CON EL PIE DERECHO, el segundo pedal desde la derecha: así se pone en marcha la paleta destalonador y el brazo se acerca a la máquina. Soltar el pedal: la paleta destalonador se retrae.

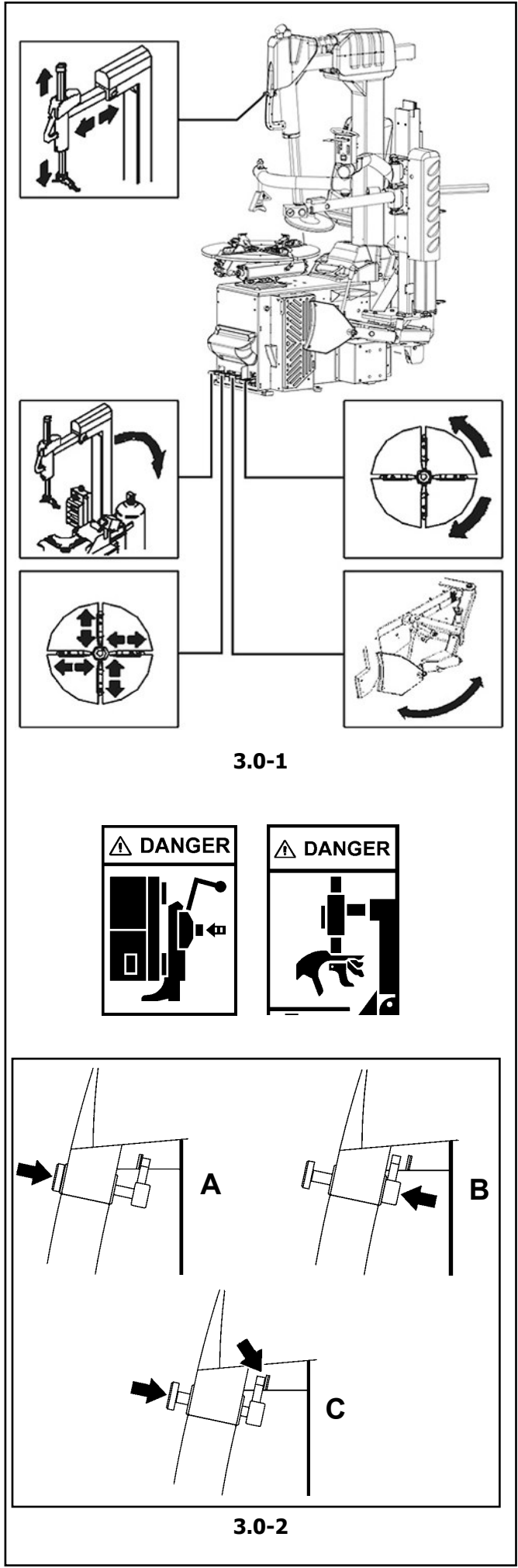
**E.** El botón en el asa permite desbloquear los brazos y colocar la herramienta de montaje/desmontaje en la posición correcta.

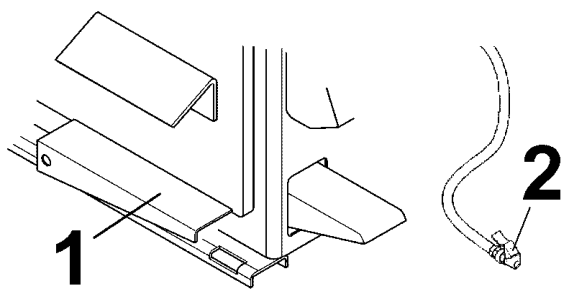
1. Para desbloquear la herramienta y permitir su deslizamiento hacia arriba: presionar el botón con el índice, en la dirección que indica la flecha (A fig. 3.0-2).

2. Para desbloquear la herramienta y permitir su deslizamiento hacia abajo: presionar el botón con el pulgar en la dirección que indica la flecha, hasta que aumente la resistencia (B fig. 3.0-2).

3. Para bloquear: presionar el botón a fondo con el pulgar (C fig. 3.0-2).

**ATENCIÓN:**  
**¡PELIGRO DE APLASTAMIENTO DE LA MANO!**

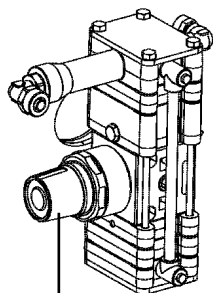




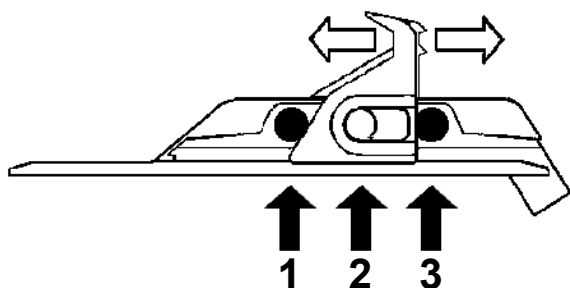
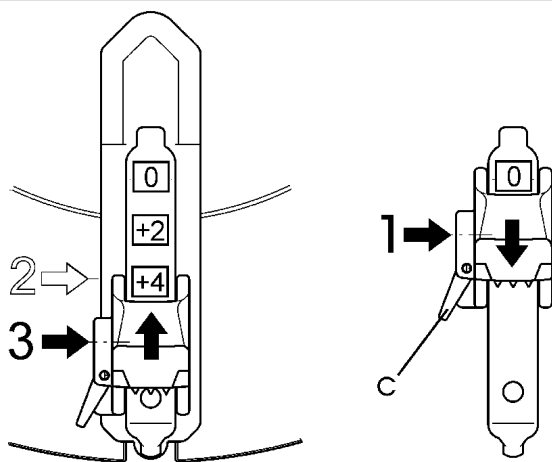
3.0-3



1062.tif



4,5 bar



3.0-4

**F.** Presionar el pedal del dispositivo de entalonado/inflador a la izquierda de la máquina (1, fig. 3.0-3) para que salga aire del extremo del tubo de inflado.

**Solo para neumáticos sin cámara (tubeless):**

**F1.** Presionar a mitad el pedal del dispositivo de entalonado/inflador (1, fig. 3.0-3) a la izquierda de la máquina para que salga aire del extremo del tubo de inflado (2, fig. 3.0-3).

**F2.** Presionar el pedal a fondo y rápidamente para activar un chorro de aire desde las boquillas del inflador. El aire seguirá saliendo también del tubo de inflado (2, fig. 3.0-3).

**Nota:** Al mismo tiempo, el aire seguirá saliendo por el tubo conectado al neumático.

**ADVERTENCIA:**  
UNA VEZ COMPLETADO EL ENTALONADO, INTERRUPIR INMEDIATAMENTE LA INTRODUCCIÓN DE AIRE.

DURANTE EL ACCIONAMIENTO DEL DISPOSITIVO DE ENTALONADO, ES OBLIGATORIO EL USO DE PROTECCIONES AUDITIVAS Y GAFAS DE PROTECCIÓN PARA EVITAR LA CONTAMINACIÓN CON RUIDO, POLVO Y FRAGMENTOS EMITIDOS POR LA BOQUILLA.

**PELIGRO DE EXPLOSIÓN DEL NEUMÁTICO**

Por motivos de seguridad, se ha montado una válvula para el hinchado rápido, programada a 4,5 bar, para el dispositivo de hinchado de pedal.

**Preajuste de las garras de bloqueo:**

**Nota:** puede modificarse la capacidad del autocentrador antes de accionar el pedal.

Las garras del autocentrador pueden colocarse manualmente en tres posiciones diferentes (Fig. 3.0-4). Presionar la palanca (C) por el lado izquierdo de cada garra y desplazarlas todas del mismo modo (0/+2"/4").

**MUY IMPORTANTE:** HACER UNA CORRECTA INSERCIÓN DE PIN

**¡ATENCIÓN!** COMPRUEBE QUE LAS CUATRO QUIJADAS DE BLOQUEO ESTÉN MONTADAS EN LA MISMA POSICIÓN (FIG. 4.1-5, POS. 1 O POS. 2). ¡DE LO CONTRARIO, LA LLANTA PUEDE AFLOJARSE Y CAUSAR LESIONES!

## 4.0 Precauciones de montaje y desmontaje

**¡IMPORTANTE!**  
**ANTES DE MONTAR UN NEUMÁTICO EN UNA LLANTA, RESPETAR LAS SIGUIENTES REGLAS:**

**A. LA LLANTA DEBE ESTAR LIMPIA Y EN BUEN ESTADO: SI FUERA NECESARIO, LIMPIARLA DESPUÉS DE HABER QUITADO TODOS LOS CONTRAPESOS, INCLUIDOS LOS PESOS ADHESIVOS APLICADOS EN SU INTERIOR.**

**B. EL NEUMÁTICO DEBE ESTAR LIMPIO Y SECO, SIN DAÑOS EN EL TALÓN O EN LA RUEDA.**

**C. SUSTITUIR EL VÁSTAGO DE LA VÁLVULA DE GOMA CON OTRO NUEVO O SUSTITUIR LA JUNTA TÓRICA SI EL VÁSTAGO DE LA VÁLVULA FUERA METÁLICO.**

**D. SI EL NEUMÁTICO REQUIERE UNA CÁMARA, ASEGURARSE DE QUE ESTÉ SECA Y EN BUEN ESTADO.**

**E. PARA EL CORRECTO MONTAJE Y CENTRADO DEL NEUMÁTICO, ES NECESARIA LA LUBRICACIÓN. UTILIZAR SOLO LUBRICANTES APROBADOS PARA NEUMÁTICOS.**

**F. ASEGURARSE DE QUE LA DIMENSIÓN DEL NEUMÁTICO SEA CORRECTA PARA LA LLANTA.**

### 4.1 Desmontaje de neumáticos sin cámara (tubeless)

**A. Quitar todos los contrapesos de la llanta. Quitar el vástago de la válvula y desinflar el neumático (fig. 4.1-1).**

**NOTA:** Si el neumático es más ancho de 13" (340 mm), primero colocar el destalonador en posición de "extenso" de la siguiente manera:

**1)** Tirar y mantener el perno (1, fig. 4.1-2), luego tirar el grupo destalonador hasta la posición de "extenso".

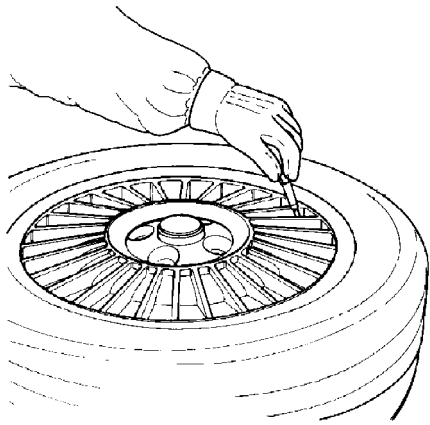
**2)** Soltar el perno (1, fig. 4.1-2) en su orificio para bloquear el destalonador en la nueva posición.

**3)** Para bloquear o desbloquear la rotación de la paleta, introducir o extraer el perno (2, fig. 4.1-2).

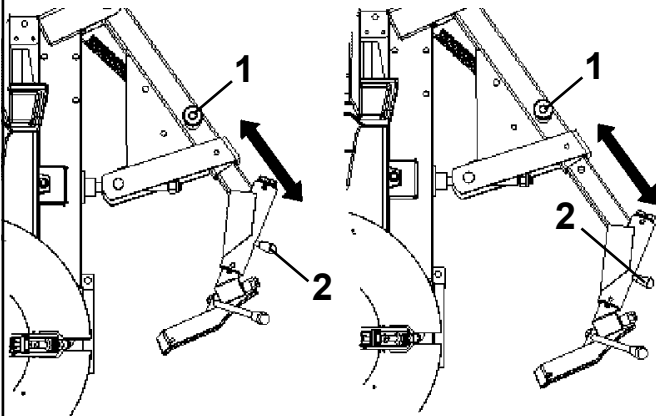
**B. Destalonar ambos talones.**  
 Durante esta operación, prestar especial atención a no mantener el pedal del destalonador presionado durante demasiado tiempo.  
 Esto podría causar daños inmediatos a los talones (fig. 4.1-3)

#### ADVERTENCIA

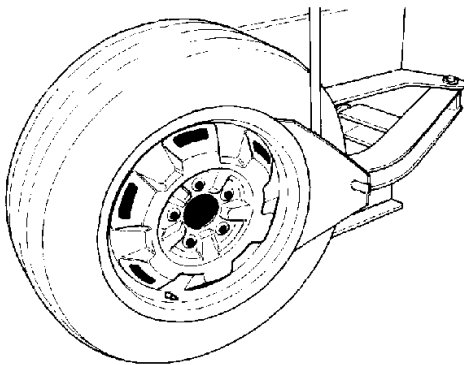
PARA LAS RUEDAS DE LA CHEVROLET CORVETTE CON EL SENSOR DE PRESIÓN BAJA OPCIONAL INSTALADO, DESTALONAR CON UNA SEPARACIÓN DE 90 GRADOS DEL VÁSTAGO DE LA VÁLVULA. EN CASO DE ROTURA DEL TALÓN O DE OTROS PUNTOS DE LA LLANTA, LA RUEDA RESULTARÁ DAÑADA



4.1-1

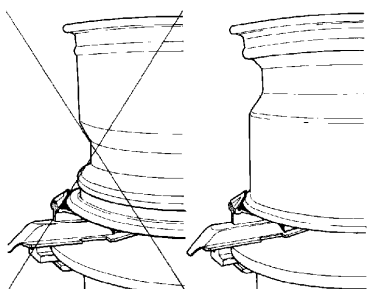


4.1-2

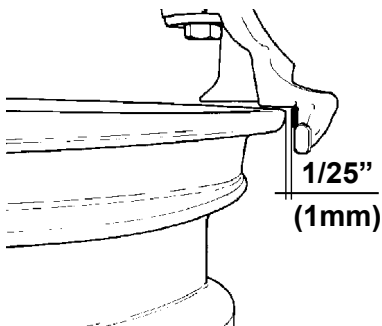


4.1-3

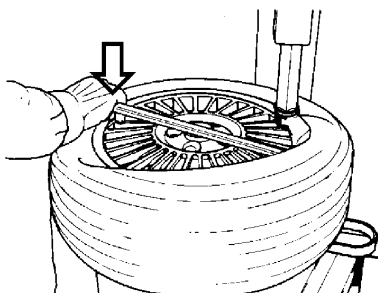




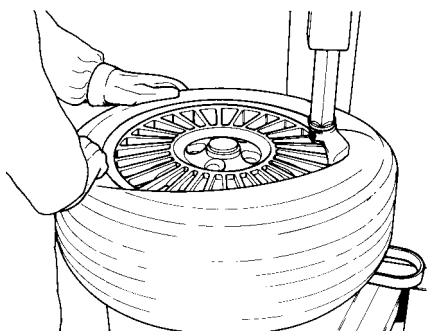
4.1-4



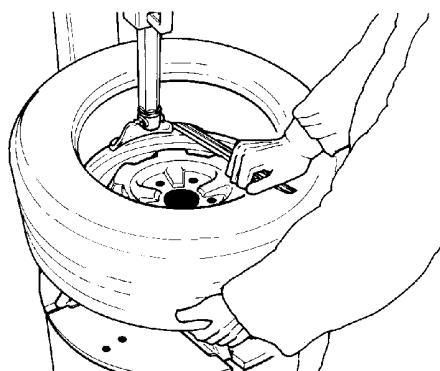
4.1-5



4.1-6



4.1-7



4.1-8

**C.** Colocar las garras en la posición correcta en la llanta: cerrarlas para bloquear la rueda interiormente y abrirlas para bloquearla exteriormente.

En caso de bloqueo exterior, antes de posicionar la rueda ajustar las garras con un diámetro muy parecido al de la llanta. Así se evitará el riesgo de pellizcar el neumático.

#### ADVERTENCIA

PARA MINIMIZAR EL RIESGO DE ARAÑAR LAS LLANTAS DE ALEACIÓN, BLOQUEARLAS EXTERIORMENTE.

**ATENCIÓN: ¡MANTENGA LAS MANOS Y LOS DEDOS ALEJADOS DE LA LLANTA!**

**D.** Lubricar abundantemente ambos talones.

Colocar la rueda en el plato autocentrante **CON EL CANAL DE LA LLANTA HACIA ARRIBA** (fig. 4.1-4) y bloquearla con las garras. Mantener neumático y llanta en posición durante el bloqueo.

**E.** Posicionar la cabeza de montaje/desmontaje en contacto con el borde de la llanta y bloquearla: la herramienta se aleja automáticamente del borde en dirección vertical. Girar el mando de regulación hasta que la cabeza de montaje/desmontaje se aleje del borde de la llanta unos 1/25" (1 mm): esto es necesario para evitar daños a la llanta (fig. 4.1-5).

#### NOTA:

El encaje de plástico dentro de la herramienta de montaje/desmontaje debe sustituirse periódicamente. Todas las máquinas están provistas de varios encajes de repuesto (en la caja de equipamiento estándar). Si se desea, este encaje de plástico puede sustituirse con el rodillo de acero, incluido en la caja. Seguir las instrucciones suministradas con los repuestos.

#### NOTA:

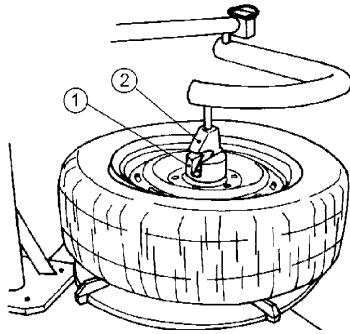
Una vez posicionada correctamente la cabeza de montaje/desmontaje, es posible utilizarla para desmontar ruedas del mismo tipo sin tener que ajustarla nuevamente.

**F.** Introducir la palanca que levanta la cubierta debajo del talón y encima del soporte de la herramienta de montaje/desmontaje. Levantar el talón sobre la lengüeta de montaje. Para facilitar la operación, apretar con la mano izquierda el talón en la posición diametralmente opuesta a la herramienta. Si se desea, una vez levantado el talón sobre la lengüeta, es posible quitar la palanca que levanta la cubierta (fig. 4.1-6).

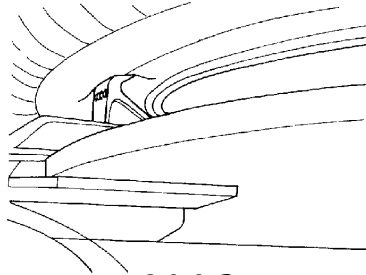
**G.** Girar el plato autocentrante hacia la derecha y al mismo tiempo presionar el flanco del neumático para que el talón entre en el canal de la llanta (fig. 4.1-7).

**H.** Repetir el procedimiento para el talón inferior. Con la mano izquierda, levantar el talón en la posición diametralmente opuesta a la herramienta para mantenerlo en el canal de la llanta (fig. 4.1-8). Desplazar el brazo oscilante lateralmente y extraer el neumático.

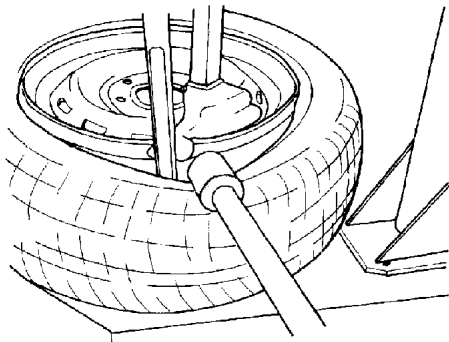
### 4.1.1 Uso del aprieta talón para facilitar el desmontaje.



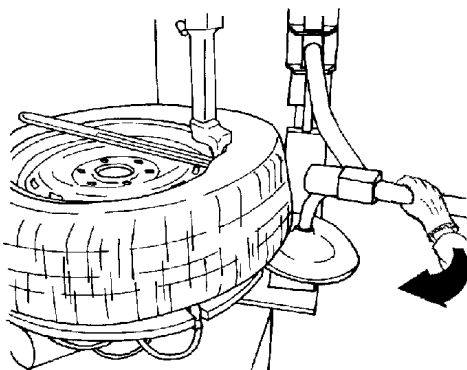
4.1.1-1



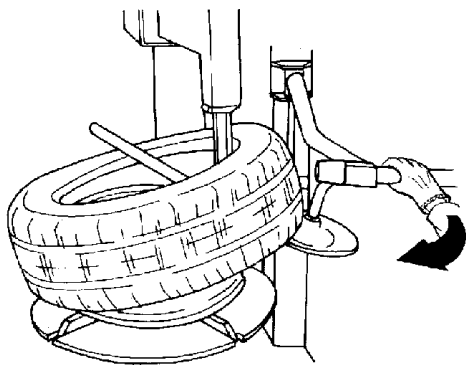
4.1.1-2



4.1.1-3



4.1.1-4



4.1.1-5

**A.** Para facilitar el bloqueo de ruedas con neumáticos duros o rebajados, es posible utilizar el aprieta llanta con el aprieta talón correspondiente. Aplicar el aprieta llanta (elemento 1, fig. 4.1.1-1) en el aprieta talón (elemento 2), colocarlo en el centro de la llanta (fig. 4.1.1-1) y bajar la llanta para permitir el bloqueo con las garras (fig. 4.1.1-2).

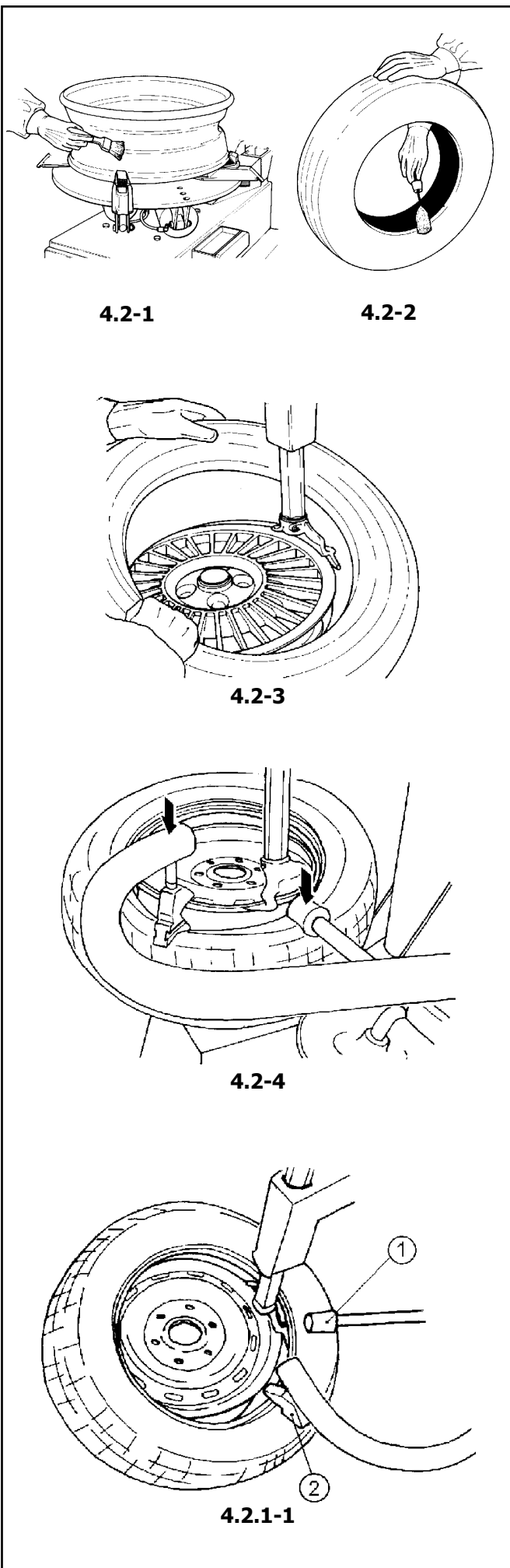
**B.** Posicionar el rodillo a una distancia de aprox. 2 cm (3/4") del borde de la llanta. Presionar el flanco del neumático para facilitar la introducción de la palanca (fig. 4.1.1-3). Colocar el rodillo en posición de reposo. Para facilitar el levantamiento del talón sobre la herramienta, posicionar el disco inferior cerca del borde inferior de la llanta, sujetar firmemente el brazo del disco y accionar la subida del dispositivo (fig. 4.1.1-4). Desmontar el primer talón como se describe en el manual operador de la desmontadora de neumáticos.

**C.** Posicionar el disco inferior cerca del borde inferior de la llanta. Sujetar firmemente el brazo y al mismo tiempo girar el plato autocentrante (fig. 4.1.1-5). Esta operación permite soltar el talón si está encastrado y ayuda a levantar el neumático.

**NOTA:** Es normal que sea necesario cierto esfuerzo en dirección radial el brazo del disco inferior para contrastar la acción del plato autocentrante, que al girar empuja el disco hacia el exterior.

EL DISCO INFERIOR NO SE PUEDE BLOQUEAR POR RAZONES DE SEGURIDAD.

## 4.2 Montaje de neumáticos sin cámara (tubeless)



4.2-1

4.2-2

4.2-3

4.2-4

4.2.1-1

**A.** Lubricar toda la superficie de la llanta (fig. 4.2-1).  
Lubricar ambos talones, interior y exteriormente (fig. 4.2-2).

### ADVERTENCIA

UNALUBRICACIÓNABUNDANTEDE NEUMÁTICO Y LLANTA ES NECESARIA PARA MONTAR Y CENTRAR CORRECTAMENTE EL NEUMÁTICO EN LA LLANTA. ASEGURARSE DE UTILIZAR UN LUBRICANTE ESPECÍFICO.

### ADVERTENCIA

SI ES NECESARIO, RESPETAR LA DIRECCIÓN DE ROTACIÓN DEL NEUMÁTICO. ALGUNOS NEUMÁTICOS TIENEN UN PUNTO DE COLOR QUE DEBE QUEDAR EN EL LADO EXTERIOR DE LA RUEDA.

**B.** Bloquear la llanta en el plato autocentrante y girarla para que la válvula se encuentre a las 5 h. Colocar el neumático en la llanta. Mover hacia adelante el brazo de montaje de manera que la herramienta de montaje/desmontaje esté en posición de trabajo. Colocar el talón inferior ENCIMA de la aleta de montaje y DEBAJO de la lengüeta de la herramienta. Girar el plato autocentrante hacia la derecha y empujar el talón en el canal, en posición opuesta a la herramienta (fig. 4.2-3).

**C.** Montar el talón superior siguiendo las instrucciones del punto B (fig. 4.2-4). Para los neumáticos de perfil rebajado, el aprieta talón y la herramienta de montaje "MH320 Pro" pueden facilitar el montaje del talón superior.

### 4.2.1 Uso del aprieta talón para facilitar el montaje.

**A.** Montar el primer talón.  
Posicionar el rodillo (elemento 1) y el aprieta talón (elemento 2) como ilustra la fig. 4.2.1-1.

**B.** Bajar el aprieta talón en el neumático de manera que, junto al rodillo, ayude a mantener el talón en el canal de la llanta (fig. 4.2-4).

El aprieta talón sigue la rotación del neumático durante el montaje.

Colocar nuevamente rodillo y aprieta talón en posición de reposo.

### 4.3 Entalonado de los neumáticos

El **entalonado** es la adherencia inicial de los talones del neumático a la llanta, que permite continuar con la operación de inflado y sucesivo asentamiento de los mismos en sus alojamientos en la llanta.

**Precauciones de seguridad:**

**ADVERTENCIA:** NO UTILIZAR LA DESMONTADORA DE NEUMÁTICOS PARA EL INFLADO.

**LOS DISPOSITIVOS DE AIRE COMPRIMIDO PRESENTES EN LA MÁQUINA SÓLO TIENEN EL OBJETIVO DE FACILITAR EL ENTALONADO DE LOS NEUMÁTICOS SIN CÁMARA.**

NO SUPERAR NUNCA LA PRESIÓN MÁXIMA PERMITIDA POR EL FABRICANTE DEL NEUMÁTICO.

EL OPERADOR TIENE QUE MANTENERSE A CIERTA DISTANCIA DEL NEUMÁTICO DURANTE EL ENTALONADO, Y CONTROLAR FRECUENTEMENTE LA PRESIÓN PARA EVITAR SOBREPRESIONES.

ANTES DEL ENTALONADO, CONTROLAR EL ESTADO DE NEUMÁTICO Y LLANTA.

COMPROBAR LA CORRECTA ESTANQUEIDAD ENTRE LA VÁLVULA Y EL EMPALME EN EL EXTREMO DEL TUBO FLEXIBLE. UNA FUGA DE AIRE PUEDE GENERAR LECTURAS INCORRECTAS DE LA PRESIÓN Y GENERAR PELIGROS PARA LA SEGURIDAD

COMPROBAR QUE EN AUSENCIA DE PRESIÓN LA LECTURA EN EL MANÓMETRO SEA DE "CERO".

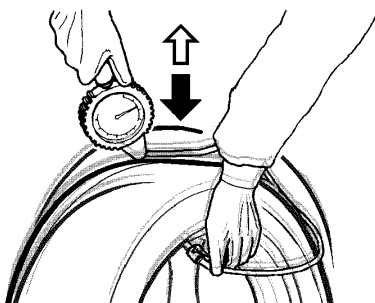
LA INTRODUCCIÓN COMPLETA DEL TALÓN EN LA LLANTA ES UNA FASE MUY PELIGROSA DEL PROCESO DE MONTAJE DEL NEUMÁTICO.

PARA REALIZARLA E INFLAR EL NEUMÁTICO CORRECTAMENTE, UTILIZAR UNA JAULA DE SEGURIDAD DE TIPO ADECUADO.

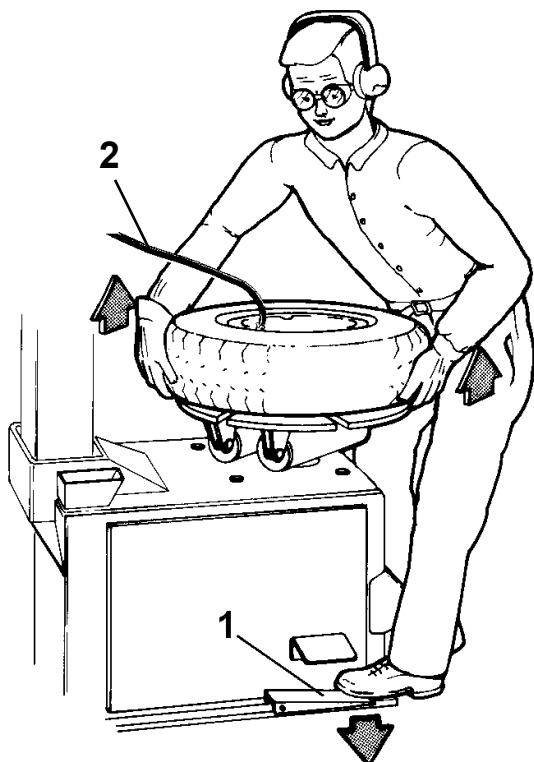
LA EXPLOSIÓN DE UN NEUMÁTICO, INDEPENDIEMENTE DE LA CAUSA, PUEDE CAUSAR LESIONES GRAVES O MUERTE.

NO MONTAR NEUMÁTICOS CON DIÁMETRO 1/2" INFERIOR CON RESPECTO A LA LLANTA, PORQUE NO SE PUEDE GARANTIZAR QUE LOS TALONES SE INTRODUCAN CORRECTAMENTE EN SUS ALOJAMIENTOS: ESTA PUEDE SER UNA FUENTE DE PELIGRO DURANTE LA CONDUCCIÓN.





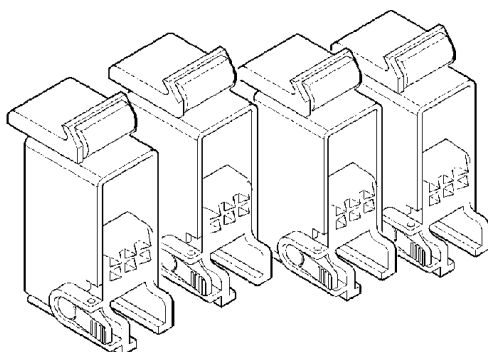
4.3-1



4.3-2



4.3-3



4.3-4

- Para introducir completamente los talones en sus alojamientos e inflar el neumático, posicionarlo en un dispositivo específico aprobado.

El entalonado de los neumáticos sin cámara (tubeless) puede resultar difícil porque los talones están muy cercanos (por ej. a causa de un almacenamiento incorrecto) y no se adhieren suficientemente a la llanta.

En este caso, puede ser útil poner la rueda en el suelo en posición vertical y hacerla "saltar", introduciendo al mismo tiempo aire con el pedal o con el inflador (**figura 4.3-1**).

**Entalonado con el dispositivo GP:**

La máquina puede estar equipada con un dispositivo GP, necesario para el entalonado de los neumáticos sin cámara.

**(Figura 4.3-2)**

- Si es posible, bloquear la rueda con las garras interiormente. El bloqueo exterior reduce la eficiencia del entalonado.
- Conectar el tubo de aire comprimido a la válvula (**2**).
- Levantar el neumático con ambas manos de manera que el talón superior se adhiera al borde de la llanta (**fig. 4.3-2**).
- Presionar el pedal de inflado (**1**) a fondo. El talón superior ya se encuentra en su alojamiento gracias al movimiento de levantamiento. El aire de las boquillas rebota en la parte inferior del neumático, llevando el talón inferior en su lugar y garantizando su adherencia.

**INTERRUMPIR EL FLUJO DE AIRE COMPRIMIDO EN CUANTO LOS TALONES SE ADHIERAN BIEN A LA LLANTA.**

- Para introducir completamente los talones en sus alojamientos e inflar el neumático, posicionarlo en una jaula de seguridad específica aprobada.

**(Figura 4.3-3)**

**ADVERTENCIA: DURANTE EL ACCIONAMIENTO DEL DISPOSITIVO DE ENTALONADO, ES OBLIGATORIO EL USO DE PROTECCIONES AUDITIVAS PARA EL RUIDO Y GAFAS DE PROTECCIÓN PARA EVITAR LA CONTAMINACIÓN CON POLVO Y OTRAS IMPUREZAS EMITIDAS POR LAS BOQUILLAS.**

**4.4 Montaje y desmontaje de neumáticos de motocicletas (opcional)**

Para montar y desmontar neumáticos de motocicletas, scooters o vehículos de transporte automático, es necesario el kit de adaptadores opcional (EAA0329G53A) (**figura 4.3-4**) y la paleta del destalonador más pequeña. La técnica de destalonado, montaje y desmontaje es la misma descrita para los neumáticos de automóvil.

**NOTA:** Si el montaje del talón superior resultara difícil, véase el párrafo 4.2.1.

**¡ADVERTENCIA!**  
**LAS LLANTAS DE MOTOCICLETAS SIEMPRE DEBEN BLOQUEARSE EXTERIORMENTE CON LAS GARRAS.**

## 5.0 Desmontaje de neumáticos con cámara

**A.** Para el destalonado, operar como se describe para los neumáticos sin cámara en los párrafos de 4.1.A a 4.1.F.

En este caso, la válvula forma parte de la cámara.

### ADVERTENCIA

PRESTAR ATENCIÓN A NO DAÑAR LA CÁMARA DURANTE EL DESTALONADO. LA VÁLVULA DEBE ENCONTRARSE EN EL LADO OPUESTO DE LA PALETA DEL DESTALONADOR.

**NOTA:** Para evitar daños al acabado de las superficies, las llantas de aleación deben bloquearse siempre exteriormente.

Están disponibles como accesorios opcionales unas protecciones de plástico para que las garras no dañen este tipo de llantas.

**B.** Para desmontar el primer talón, posicionar la válvula a las 3 h.

ADVERTENCIA: NO ATRAPAR LA CÁMARA CON LAPALANCA CUANDO SE LEVANTA LA CUBIERTA CON LA LENGÜETA DE MONTAJE

Una vez desmontado el primer talón, quitar la cámara antes de desmontar el segundo, como se describe en el párrafo 4.1.

## 5.1 Montaje de neumáticos con cámara

**A.** Proceder como se describe en el párrafo 4.2.A.

NO lubricar la cámara. Para facilitar el posicionamiento de la cámara se puede usar talco.

**B.** Montar el vástago de la válvula y apoyar la cámara en el neumático para comprobar que sea de la dimensión correcta (fig. 5.1-1).

**C.** Inflar la cámara ligeramente: levantándola con el índice debería plegarse un poco (fig. 5.1-2).

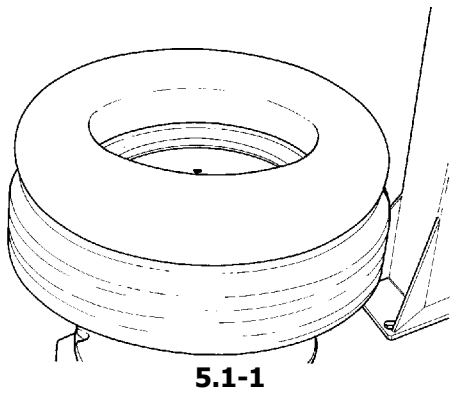
**D.** Montar el primer talón como se describe en el párrafo 4.2.B. Introducir la cámara en el neumático y enganchar la válvula con la pinza del tubo de inflado (fig. 5.1-3).

Montar el talón superior siguiendo las instrucciones anteriores.

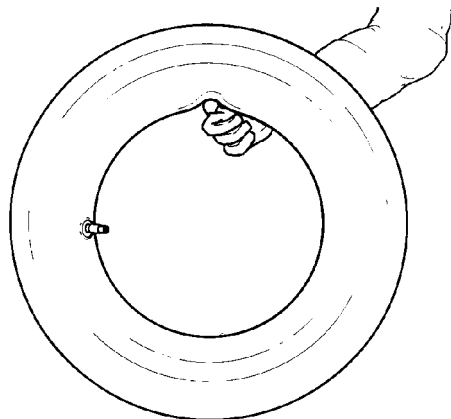
## 5.2 Inflado de neumáticos con cámara

Para inflar los neumáticos, desbloquear la llanta y empezar el inflado empujando la válvula hacia adentro. Esto evitará que se formen burbujas de aire entre la cámara y la cubierta (fig. 5.2-1).

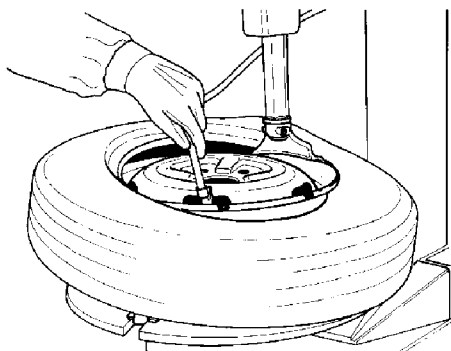
Asegurarse de que el neumático esté bien centrado en la llanta y completar el inflado como se describe en el párrafo 4.3.



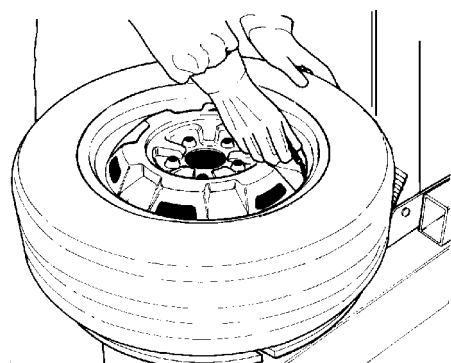
5.1-1



5.1-2



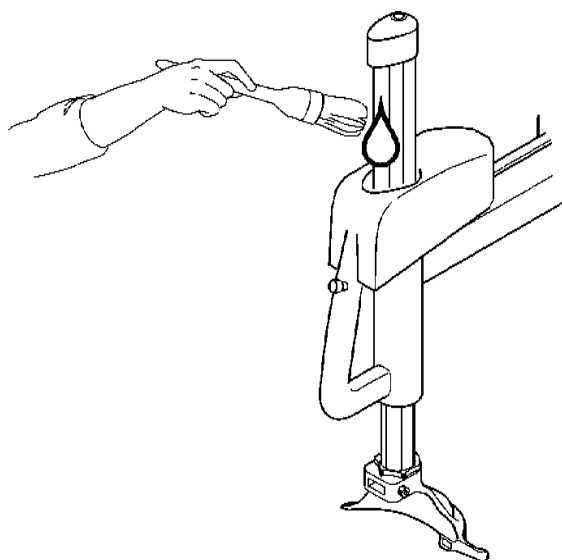
5.1-3



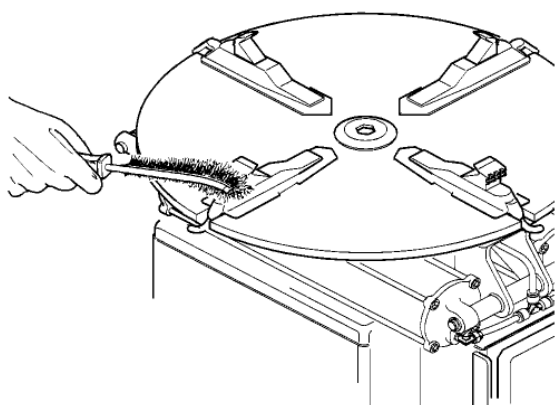
5.2-1

## 6.0 Mantenimiento

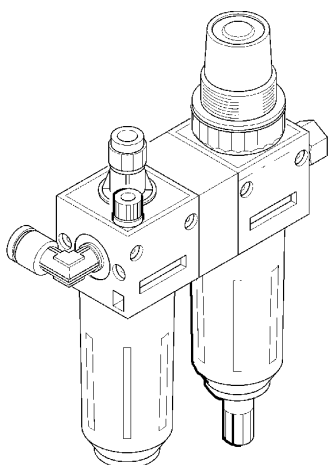
**ADVERTENCIA**  
**ANTES DE INTENTAR CUALQUIER OPERACIÓN DE MANTENIMIENTO O REPARACIÓN, DESCONECTAR LA MÁQUINA DE LA ALIMENTACIÓN ELÉCTRICA Y NEUMÁTICA.**



6.0-1



6.0-2



6.0-3

**A.** Limpiar periódicamente el vástago hexagonal vertical con un detergente líquido no inflamable. Lubricar con aceite (**fig. 6.0-1**).

**B.** Limpiar periódicamente todas las partes móviles de metal y lubricar con aceite.

**C.** Limpiar los dientes de las garras con un cepillo de metal, controlar las protecciones de plástico de la llanta y sustituirlas si están dañadas (**fig. 6.0-2**).

**D.** Sustituir periódicamente el encaje de plástico en la herramienta de montaje/desmontaje.

**E.** Lubricar los vástagos de los cilindros neumáticos con aceite cuando sea necesario.

**F.** Lavar periódicamente todas las partes de plástico con agua fría y jabón o detergente para cristales.

**G.** Controlar los soportes del destalonador. Sustituílos en caso de desgaste.

**H.** Descargar el agua del filtro de aire a diario.

**I.** La máquina cuenta con un lubricador automático. Controlar el nivel de aceite cada semana (**fig. 6.0-3**). Antes de introducir aceite en el lubricador, desconectar la alimentación neumática, quitar el tapón "A" y añadir el aceite necesario. Cuando se vuelve a posicionar el tapón, asegurarse de que las juntas estén en su lugar. Descargar el agua del separador de humedad a diario. Para hacerlo, tirar el cierre 'B' hacia abajo.

**¡ADVERTENCIA!**

**ASEGURARSE DE QUE EL DEPÓSITO DEL LUBRICADOR ESTÉ SIEMPRE LLENO, SOBRE TODO PARA LAS MÁQUINAS DE MOTOR NEUMÁTICO.**

**¡ADVERTENCIA!**

**UTILIZAR EXCLUSIVAMENTE ACEITE PARA DISPOSITIVOS NEUMÁTICOS, NO UTILIZAR LÍQUIDO PARA FRENSOS NI OTROS LUBRICANTES NO RECOMENDADOS.**

Aceites recomendados para la unidad filtro/lubricador:  
**ACEITE MINERAL BLANCO: 15 cSt**

TAMOIL	: WHITE MINERAL OIL 15
SHELL	: ONDINA OIL 15
BP	: ENERGOL WT3
TOTAL	: LOBELIA SB 15
ESSO	: MARCOL 82

## 7.0 ELIMINACIÓN DE LA UNIDAD

Para el desguace del aparato al final de su vida útil, póngase en contacto con el revendedor para que le haga una oferta o para conocer las normas aplicables en materia de eliminación de la unidad.



Este símbolo indica la obligación de llevar a cabo una recogida diferenciada de los aparatos eléctricos y electrónicos al momento del desguace.

### 7.1 Instrucción para la Eliminación

Para aparatos eléctricos y electrónicos Directivas europeas 2002/95/CE, 2002/96/CE y 2003/108/CE (RAEE)

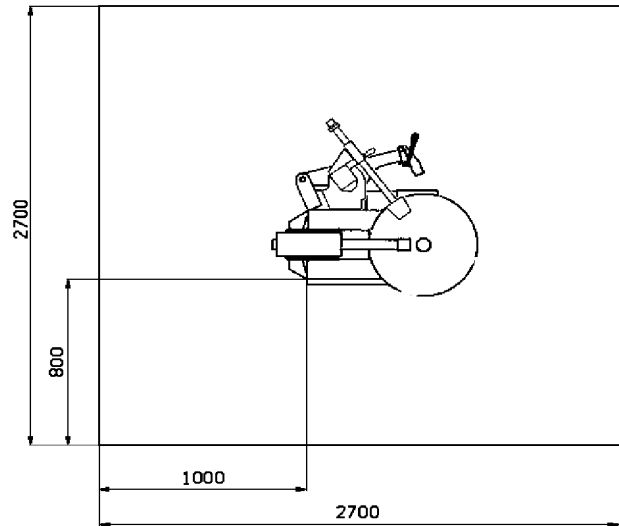
Al momento de la eliminación, es decir, al final de la vida de este aparato, es obligatorio:

1. Inutilice la unidad. Quite el enchufe y corte el cable de alimentación cerca del punto en el que sale de la máquina.
2. NO elimine el aparato como residuo urbano, proceda a su eliminación separada y entregue los distintos materiales en los centros de recogida separada.
3. Solicite información al distribuidor sobre los puntos de recogida autorizados para la la eliminación y para la entrega en caso de compra de un nuevo aparato (intercambio uno por uno).
4. Atenerse a las normas sobre la correcta gestión de los desechos, para evitar dañar el ambiente y la salud de las personas. La eliminación irregular implica sanciones administrativas para los infractores.

## i. Requisitos de Instalación

LA INSTALACIÓN TIENE QUE SER EFECTUADA POR PERSONAL CALIFICADO EN EL TOTAL RESPETO DE LAS INSTRUCCIONES DADAS EN ESTE MANUAL.

Instalar la máquina en un sitio cubierto y seco. La instalación de la máquina necesita un espacio útil de 270x270 cm (**Fig.i-1**).



**i-1**

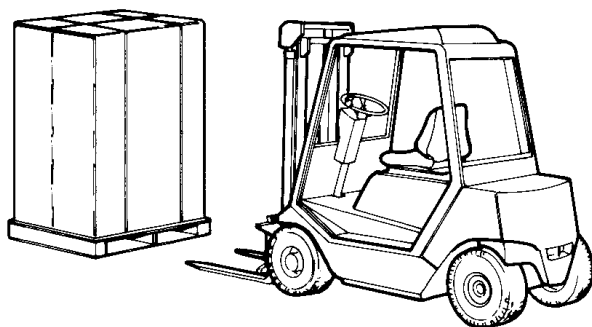
Fijarse que desde su posición de mando el trabajador pueda ver todo el aparato y el area que lo rodea. El trabajador tiene que impedir que se acerque a tal sitio toda persona no autorizada o que se coloquen objetos que podrían ser fuente de peligro. La máquina tiene que ser ensamblada en un plano horizontal preferentemente nivelado. No instalar la máquina en terrenos o planos que puedan ceder o irregulares. En el caso de que la máquina tuviera que ser instalada en planos sobreelevados o plataformas de cierta altura, los planos tienen que tener una capacidad de por lo menos 5000 N/m<sup>2</sup> (500 kg/ m<sup>2</sup> o 110lbsxsqft). La máquina tiene que ser fijada al suelo usando los expresos agujeros de la base.

Hay que emplear tacos para tornillos de 12x120 mm y hacer agujeros que coincidan con las aberturas previstas, usando un taladro con una punta de 12 mm.

Después de esto colocar los tarugos y ubicar la máquina haciendo coincidir los agujeros. Colocar los tornillos y apretarlos con una llave manométrica de 70 Nm



## ii. Transporte – Desembalaje - Transporte



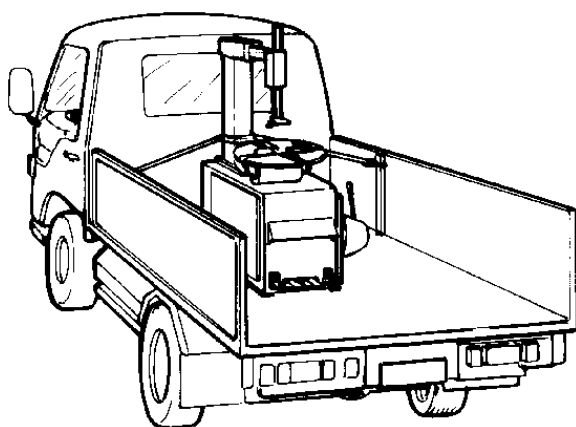
ii-1

### Transporte

La máquina se entrega embalada en una caja de cartón de resistencia adecuada.

Esta caja a su vez está colocada en un pallet de transporte. Para el transporte de la máquina embalada hay que emplear un medio adecuado de elevación (carretilla elevadora - Fig.ii-1).

La máquina puede ser colocada, como alternativa, en el pallet de transporte con la columna ya ensamblada. En tal caso hay que fijar la máquina al medio de transporte con una correa apta y resistente, enganchada en la columna (Fig.ii-2)



ii-2

### Desembalaje

Efectuar la operación de desembalaje con mucho cuidado al cortar las fajas o cualquier otra operación que pueda ser objeto de riesgo.

Después de haber quitado el embalaje fijarse que la máquina se encuentre íntegra y que las piezas de la misma no presenten daños visibles.

En caso de dudas no hay que utilizar la máquina sino dirigirse a personal profesionalmente calificado.

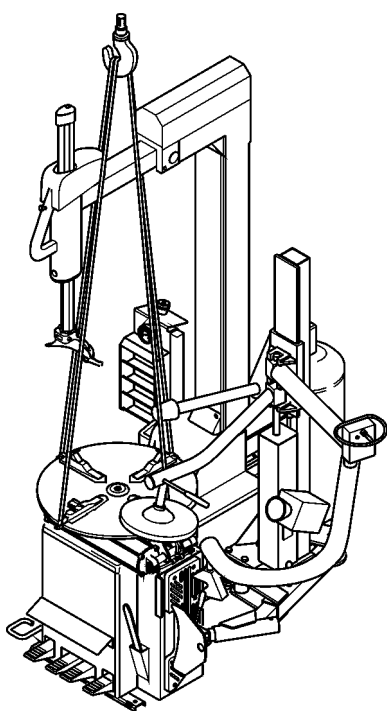
Los elementos del embalaje (bolsas de plástico, espuma de poliestirol, clavos, tornillos, trozos de maderas, etc.) no tienen que ser abandonados.

Colocar todos estos materiales en los expresos lugares de recolección de residuos de acuerdo con las leyes locales vigentes.

---

USAR SIEMPRE GANTES DURANTE EL DESEMBALAJE PARA EVITAR RAYADURAS O ABRASIONES DEBIDAS AL CONTACTO CON EL MATERIAL DE EMBALAJE.

---



ii-3

### Transport

En el caso de que la máquina tuviera que ser transportada de una posición de trabajo a otra proceder de la siguiente manera:

Desconectar las fuentes de alimentación, eléctrica y neumática.

Quitar del borde de la máquina los accesorios o piezas que podrían caer durante el transporte, creando situaciones de peligro.

No utilizar cables metálicos para atarla. Utilizar correas de carga de 3000 mm. de longitud y de 500 Kg de capacidad. Atar bien la máquina como se muestra en la (Fig. ii-3).

### iii Procedimiento de Instalación

#### Conexión eléctrica

**ATENCIÓN:** LOS TRABAJOS EN EL SISTEMA ELÉCTRICO Y LA CONEXIÓN DE UN ENCHUFE (CUANDO SEAN NECESARIO), DEBEN SER REALIZADOS EXCLUSIVAMENTE POR EL PERSONAL TÉCNICO ELECTRICISTA CUALIFICADO, DE ACUERDO CON LA NORMATIVA ESPECÍFICA Y LAS LEYES NACIONALES Y/O LOS REGLAMENTOS LOCALES EN VIGOR.

Los modelos estándar de desmontadora de neumáticos poseen características eléctricas específicas y se suministran en función del tipo de alimentación de red presente en la instalación a la que se han de conectar. Consulte las tablas de un lado.

Los motores eléctricos trabajan con una tolerancia de tensión del 10% aproximadamente.

En el cable de conexión de la máquina a la red de suministro de energía eléctrica se ha de conectar una clavija homologada y con la capacidad suficiente, según lo previsto por las normas vigentes en el país de instalación.

#### Para el técnico instalador

Antes de conectar la clavija al cable, el electricista cualificado debe consultar los datos de la etiqueta aplicada en el cable eléctrico de conexión de la máquina.

En la instalación eléctrica a la tensión de **115 V** a la que se conectará la máquina, se recomienda instalar fusibles de **30 A** de acción retardada.

Para la tensión de **230 V**: Fusibles de **20 A** (**25 A** para Japón) en presencia de INVERSOR o un interruptor automático equivalente (magnético).

Dicha instalación es a cargo del usuario.

Comprobar la eficacia de la toma de tierra.

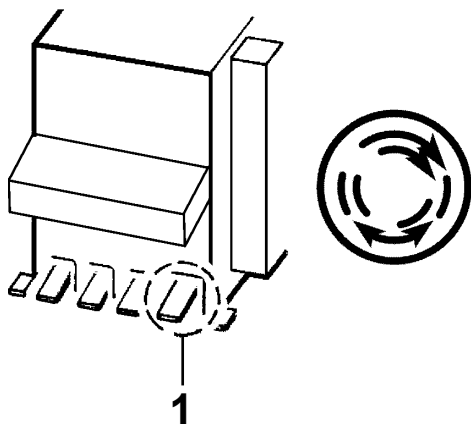
Una vez completada la conexión, accionar el pedal de rotación del autocentrador hacia abajo (**1**, Fig. iii-1) y comprobar que gire hacia la izquierda.

Comprobar que el sistema de alimentación disponga de un dispositivo de corte automático en caso de sobrecorriente, con interruptor diferencial con protección de 30 mA.

**AVISO:** EN PRESENCIA DE INVERSOR, SE ACONSEJA UTILIZAR EXCLUSIVAMENTE INTERRUPTORES DIFERENCIALES DE TIPO **B**.

**Modelos standard**  
**1 Pase - 1 Velocidad**  
115 VAC, 1Ph, 60Hz, 12A

**Modelos standard**  
**1 Pase - 2 velocidades**  
230 VAC, 1Ph, 50/60Hz, 16A



iii-1

## Conexión neumática

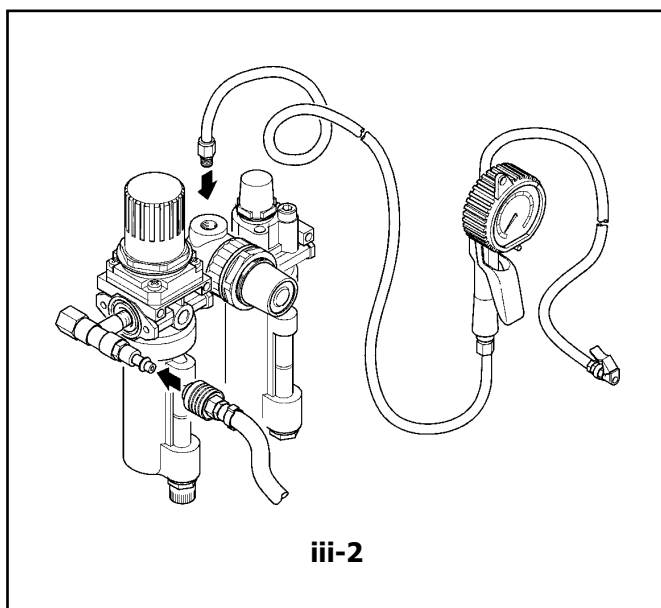
**LA INSTALACIÓN NEUMÁTICA TIENE QUE SER REALIZADA POR PERSONAL ESPECIALIZADO.**

La máquina, como muestra la placa del constructor y la correspondiente etiqueta situada cerca de la conexión del aire, funciona con alimentación neumática a una presión de 8 a 12 bar. Controlar que la presión de la línea se encuentre dentro de los límites requeridos por la máquina. Si la presión del aire es menor que el mínimo necesario de 8 bar (110 psi) la fuerza de bloqueo del autocentrante y la fuerza del destalonador pueden resultar insuficientes para algunas ruedas. Si la presión supera los 12 bar (170 psi) es obligatorio instalar un regulador de presión antes de la toma de aire de la máquina (a pedido #4002916). Se aconseja colocar un filtro en la línea de aire comprimido para reducir la cantidad de agua en la línea.

**ANTES DE CONECTAR LA MÁQUINA CON LA LÍNEA DE AIRE COMPRIMIDO CONTROLAR QUE NO HAYANADA SOBRE EL AUTOCENTRANTE (HERRAMIENTAS, ETC.).**

Después de haber hecho todos los controles mencionados, realizar las siguientes operaciones:

- Conectar el tubo de goma a la pistola de hinchado y al bloque de alimentación, como se muestra en la (Fig. iii-2).
- Para la instalación de cualquier accesorio (piezas), seguir las instrucciones anexas.
- Conectar la máquina a la línea del compresor (regulada a la presión máxima de 12 bar) con una manguera de plástica (en grado de soportar la presión) de 6 mm de diámetro interno (Fig. iii-2).



- En el caso venga instalado un filtro lubricador, controlar el funcionamiento.

## iv Procedimiento de prueba

### Control de la dirección de rotación del motor

La presión del primero pedal de la derecha tiene que hacer girar el autocentrante en dirección horaria. En caso de rotación en dirección antihoraria hay que invertir la dirección de rotación del motor, interrumpir las operaciones y llamar al servicio de asistencia del revendedor autorizado.

**EL CONSTRUCTOR NO SERA RESPONSABLE DE LOS DATOS QUE PUDIERAN DERIVAR DE LA FALTA DE OBSERVACIÓN DE LAS CITADAS INDICACIONES, LO CUAL CONSTITUIRA ADEMÁS CAUSAS DE CADUCIDAD DE LA GARANTÍA.**

### Control de los tubos de enlace

Cuando se mete en función la máquina por la primera vez, controlar pérdidas eventuales de aire de los tubos y de los empalmes de enlace.

## v Instrucciones para el operador

*(Los siguientes puntos solamente proceden si la unidad ha sido instalada por un técnico)*

- Explique el funcionamiento para encender y apagar la unidad.

EN  
FR  
ES

309 Exchange Ave.  
Conway, AR 72032  
Ph: 501-450-1500  
Fax: 501-450-2085

*Aviso:* La información contenida en este documento está sujeta a cambio sin aviso previo. **John Bean** no ofrece ninguna garantía sobre esta documentación. **John Bean** no podrá ser considerado responsable por errores contenidos en esta publicación ni por daños consecuenciales incidentales en relación con el equipamiento, rendimiento o uso de este material.

Este documento contiene información propiedad de la empresa protegida por la legislación sobre derechos de autor y patentes. Todos los derechos reservados. Ninguna parte de este documento puede ser fotocopiada, reproducida o traducida sin el consentimiento previo por escrito de **John Bean**.

**Notice:** The information contained in this document is subject to change without notice. **John Bean** makes no warranty with regard to present documentation. **John Bean** shall not be liable for errors contained herein or for incidental consequential damages in connection with furnishings, performance, or use of this material.

This document contains proprietary information which is protected by copyright and patents. All rights are reserved. No part of this document may be photocopied, reproduced, or translated without prior written consent of **John Bean**.

- Manufacturing Facilities -  
· Snap-on Equipment Srl · Via Per Carpi 33 - 42015 Correggio RE - Italy ·  
· Snap-on Equipment · 309 Exchange Avenue Conway, Arkansas 72032 ·  
- Technical alterations reserved - Refer to the data plates for effective manufacturing location -