

HOFMANN®



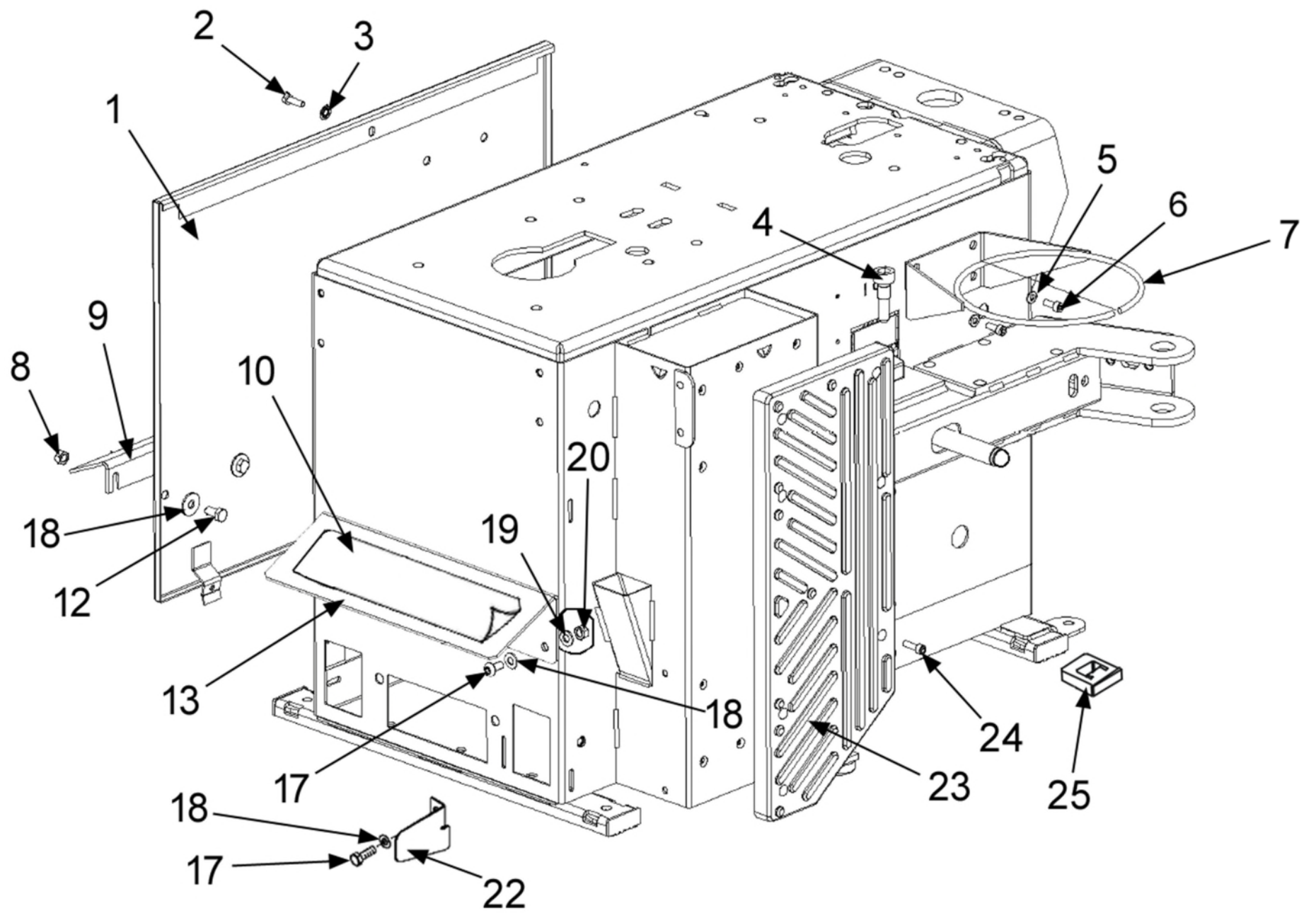
monty 1575 CSA

Spare Parts List



BOM EEWH790AUA Monty 1575 CSA

Part Number	Quantity	Description
EAA0270J77A	1	TC Assy EEWH790AUA CSA
ZEEWH790AU9	1	Tech Doc Monty 1575 CSA
EAC0097G47A	1	Wave Tire Mounting Lever
5-14126A	1	Brush Tire Lube Applicator
8-03229A	1	Lubricant - Tire Mounting 75N
EAA0350G07A	1	Plastic Protection Kit for head
EAK0329G86A	1	Lightalloy Rim Protector Front Only
EAL0352J21A	1	Decal Add Oil
EAL0383G01A	1	Rotation Direction Label
EAL0383G34A	1	Label Danger
EAL0408G12A	1	Label Patents
EAL0408G21A	1	Label Drain
EAL0408G24A	1	Label Oil
EAL0408G25A	1	Label Pressure Min Max
EAL0412G13A	1	Stickers Pedal
EAL0413G31A	1	Label Ground
EAL0413G34A	1	Label Inflator
EAL0425G79A	1	Label Hofmann 1575
EAL0443G66A	1	Decal - Entrapment Warning
EAL0467G12A	1	Label Danger
EAL0467G92A	1	Decal TC Lever Warning
EAL0476G31A	1	Label Air Tubing Line



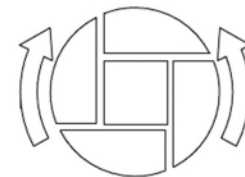
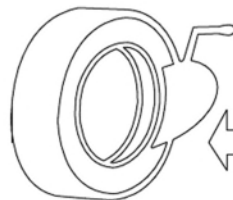
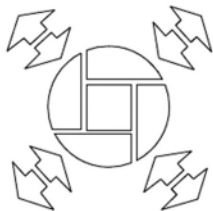
EAL0425G79A

HOFMANN®

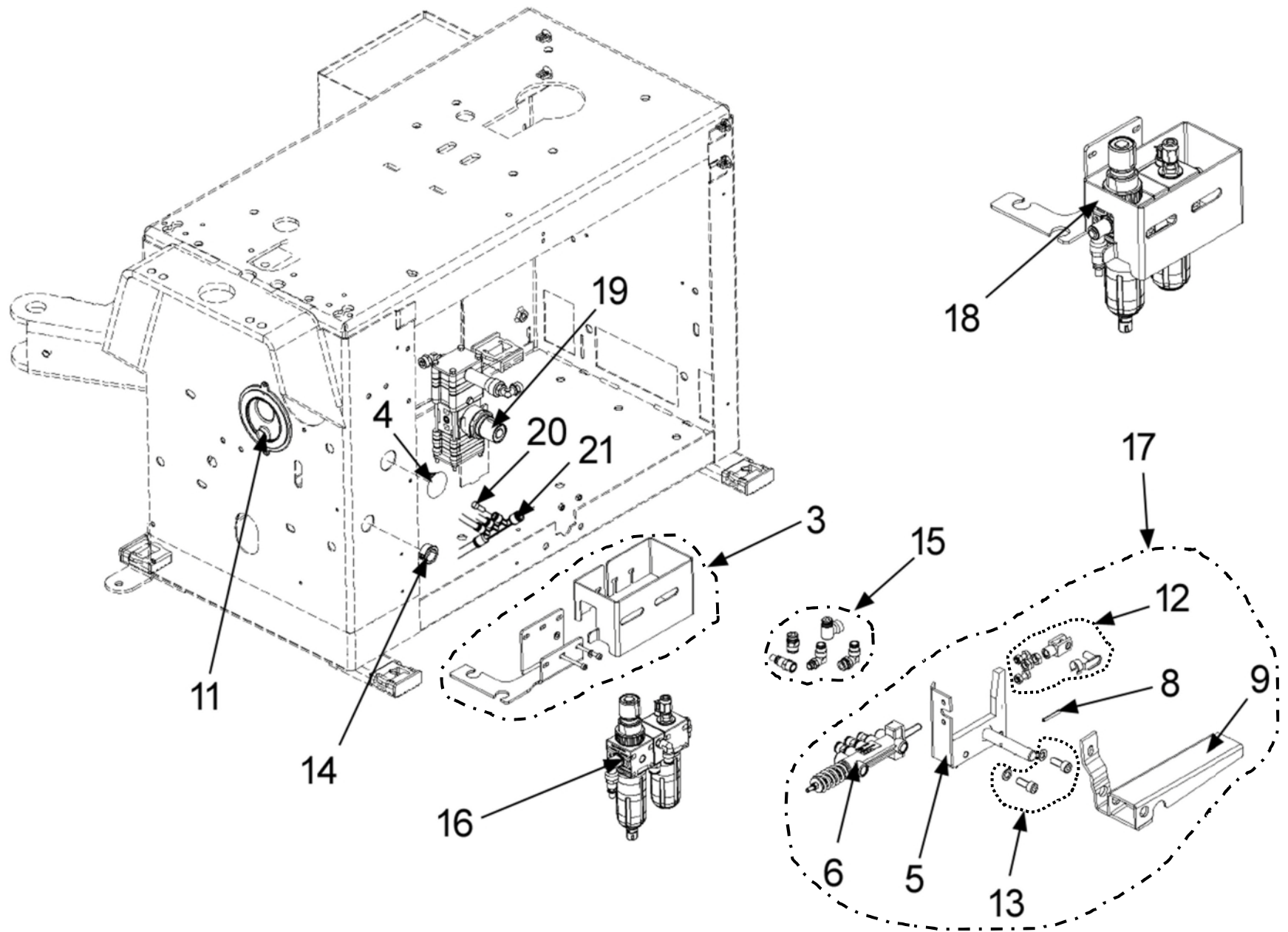


monty 1575

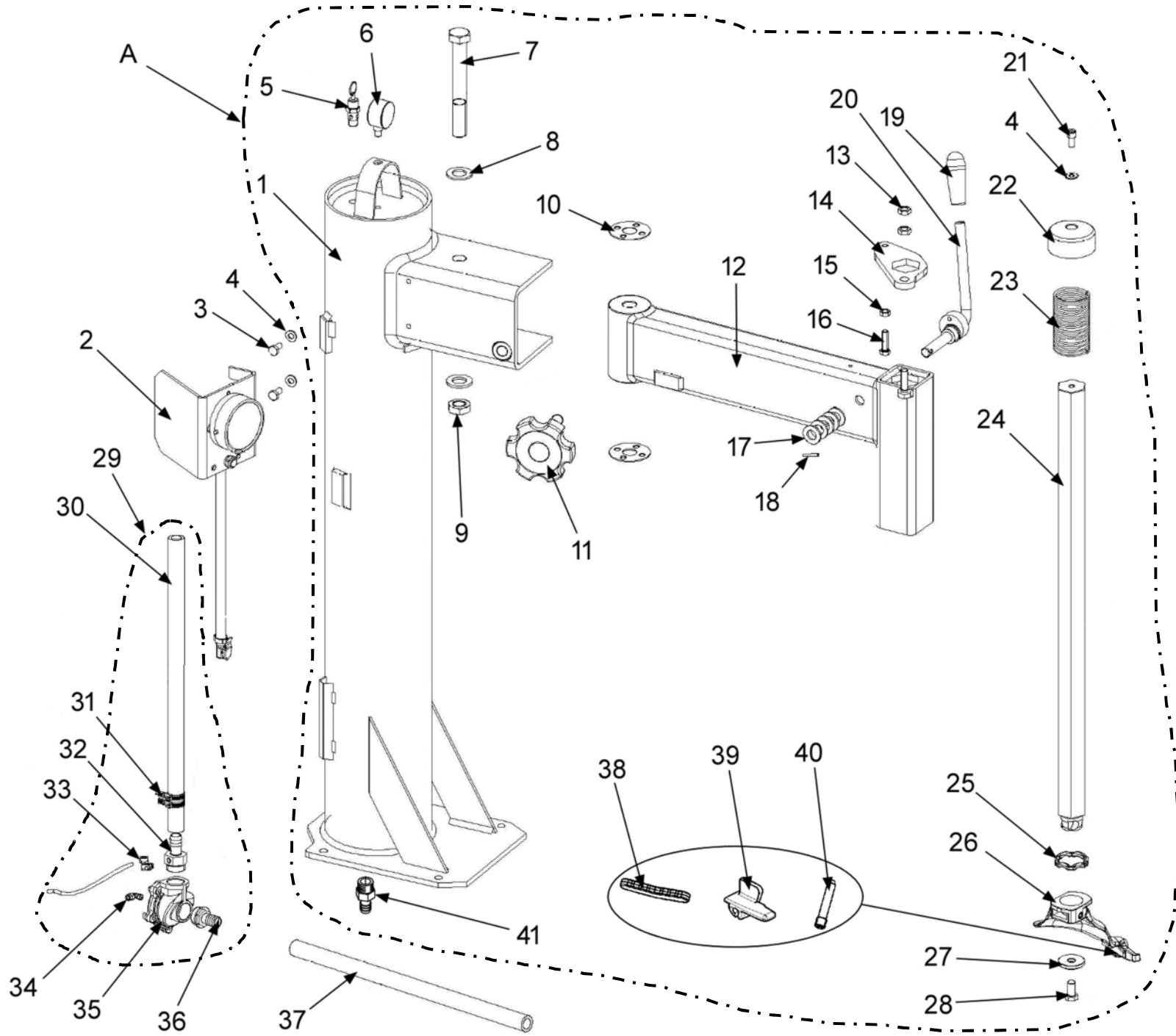
EAL0412G13A



Ref	Qty	Part Number	Description
1	1	EAS2238G37A	Side Panel W/Protections
2	1	1-30901A2	Screw 6 x 20 Hex Head
3	1	1-1548	Washer - Lock D 6
4	2	EAM0067G34A	Screw, Fitting - Cylinder B/Break
5	2	1-9841	Washer, Plain D 6 Zinc.
6	2	1-16409A	Screw 6 x 20
7	1	EAA0349G76A	Ring - Box, Grease
8	2	1-11733A	Nut M8 Black
9	1	EAS2115G83A	Protector, Pedal
10	1	EAL0412G13A	Sticker Pedals
12	2	1-32601	Screw M8 x 20
13	1	EAA0524G18A	Pedal Protection W/Foam
17	3	1-32701	Screw - M8 x 25 mm Hex Head
18	5	1-10041	Washer, Plain M8
19	2	1-3048	Lock Washer
20	2	1-15933A	Nut Hex M8 - 1.25 mm
22	1	EAS2100G95A	Pedal - Reverser Protection
23	1	EAC0099G22A	Pad - Support, Bead Breaker
24	7	1-09624A	Screw M6 x 20
25	4	EAC0097G52A	Foot Square

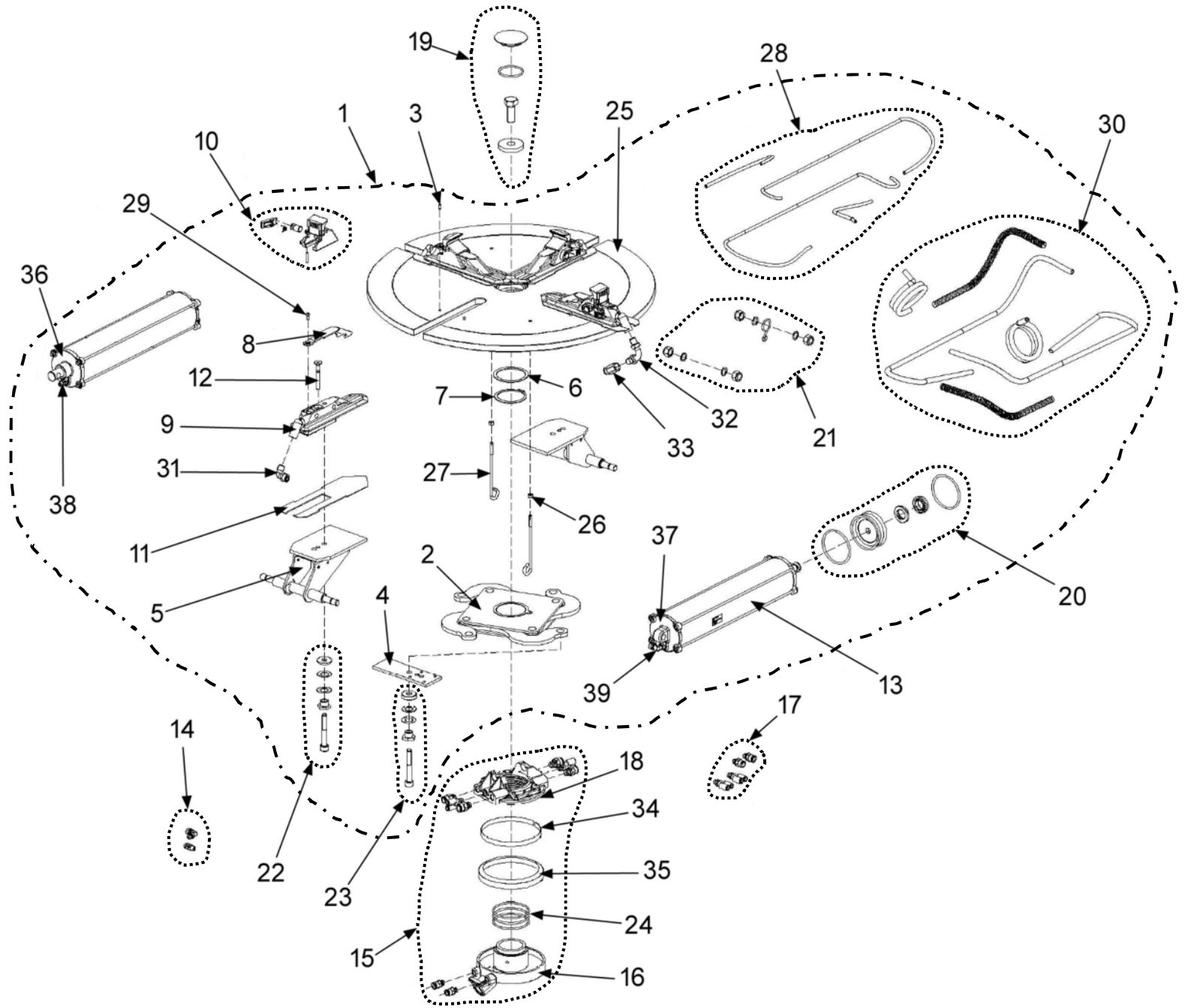


Ref	Qty	Part Number	Description	
3	1	EAK0330G49A	NA Lubricator Filter Fixing Kit	
4	1	1-08676A	Cap, Closing	
5	1	EAS2134G52A	GT Pedal Support	
6	1	ST4029115	Valve, Bead Inflating	EAA0329G75A
8	1	ST7023119	Pin - Straight Slotted 4 x 30	1-6652
9	1	ST4029114	Inflator Pedal Cataphor	EAS2068G87A
11	1	EAC0100G22A	Cable Protection	
12	1	EAK0306G32A	Screws And Bolts For GT Valve	
13	1	EAK0306G33A	Screws And Bolts For GT Pedal	
14	1	8-11616A	Snap Bushing	
15	1	EAK0315G99A	Fittings Kit For Filter	
16	1	EAA0439G90A	Filter - Pressure Regulator	
17	1	EAA0384G14A	Group, Bead Inflating Pedal	
18	1	EAA0489G30A	Lubricator Filter Group	
19	1	EAA0384G22A	Valve, Air Control	
20	1	1-09176A	Cap, Fitting D 6	
21	1	1-12379A	Multi - Tee 08-06	



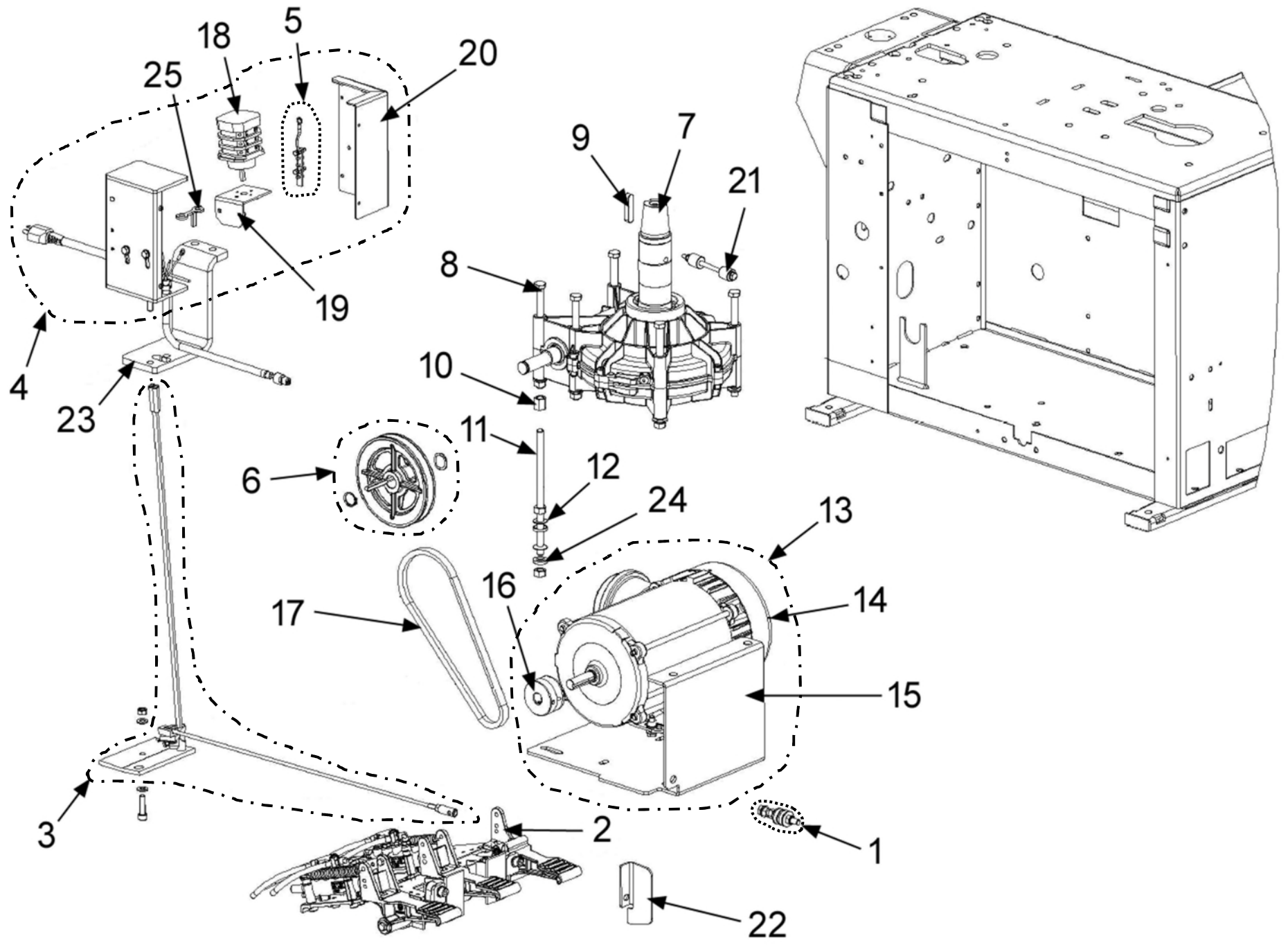
Ref	Qty	Part Number	Description	
A	1	EAA0270J42A	TC Tower Air Assy	
1	1	EAS2141J15A	Tower	
2	1	EAA0332G46A	Assy, Gauge - Pressure	
3	2	1-32501A	Screw 8 x 16 8G	
4	3	1-10041	Washer, Plain M8	
5	1	1-31381A	Valve, Asme Safety, 1/4" Bspt	
6	1	8-06120A	Manometer - Radial 0-16 D 40	
7	1	EAM0067G25A	Screw, Swing Arm Support	
8	2	1-10641	Washer	
9	1	1-21633A	Nut	
10	2	EAM0067G29A	Washer - Adjustment	
11	1	EAA0270J79A	Screw - Arm, Swing - Register	EAC0097G55A
12	1	EAM0010J39A	Swing Arm	
13	2	1-19633B	Nut - M10 6S	
14	1	EAM0010J43A	Locking Lever	
15	1	1-15933A	Nut Hex M8 - 1.25	
16	1	EAM0067G26A	Screw, Adjustment - Rod	
17	5	1-10341	Washer - D.14	
18	1	1-6452	Pin, Straight Slotted	
19	1	EAC0078G04A	Handle - Rubber	
20	1	EAS2108G36A	Lever, Register	

Ref	Qty	Part Number	Description	
21	1	1-17609A	Screw, 8 x 16 8.8	
22	1	EAM0140G92A	Cover For Hex Bar	
23	1	EAM0055G22A	Spring, Recall - Tower, Vertical	25457
24	1	EAM0046G11A	Axel Verticale Ch. 38	24905
25	1	EAC0094G01A	Shock Absorber - Rod	
26	1	EAA0329G95A	Mounting / Demounting Tool	
27	1	EAM0032G02A	Washer - Tool Clamping	
28	1	1-44901A	Screw	
29	1	EAA0351G06A	Kit Valve Pneumatic	
30	mr	2072705	Hose, Air - High Pressure	sold by the meter
31	4	EAM0075G29A	Clip, Locking - Hose	
32	1	15658	Fitting, Rub. Holder 1" Long	
33	1	1-17279A	Fitting "L" 6 x 8 1/8	
34	1	1-17179A	Elbow Fitting "L" 4 x 6 1/4"	
35	1	1-29581A	Valve, Air - Controlled	
36	1	EAM0071G99A	Fitting, Support M1" - 20	
37	mr	2072705	Hose, Air sold by the meter	
38*	1	EAC0078G13A	Back Plastic Rim Protection	
39*	1	EAC0113G61A	Plastic Rim Protection	
40*	1	EAM0043G53A	Pin M5 Hexagonal Socket	
41	1	1-41880A	3/4" Male NPT to 3/4" Hose Barb	
* Note - Included with EAA0329G95A item #26				

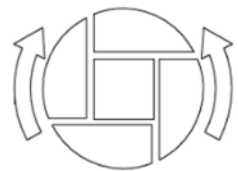
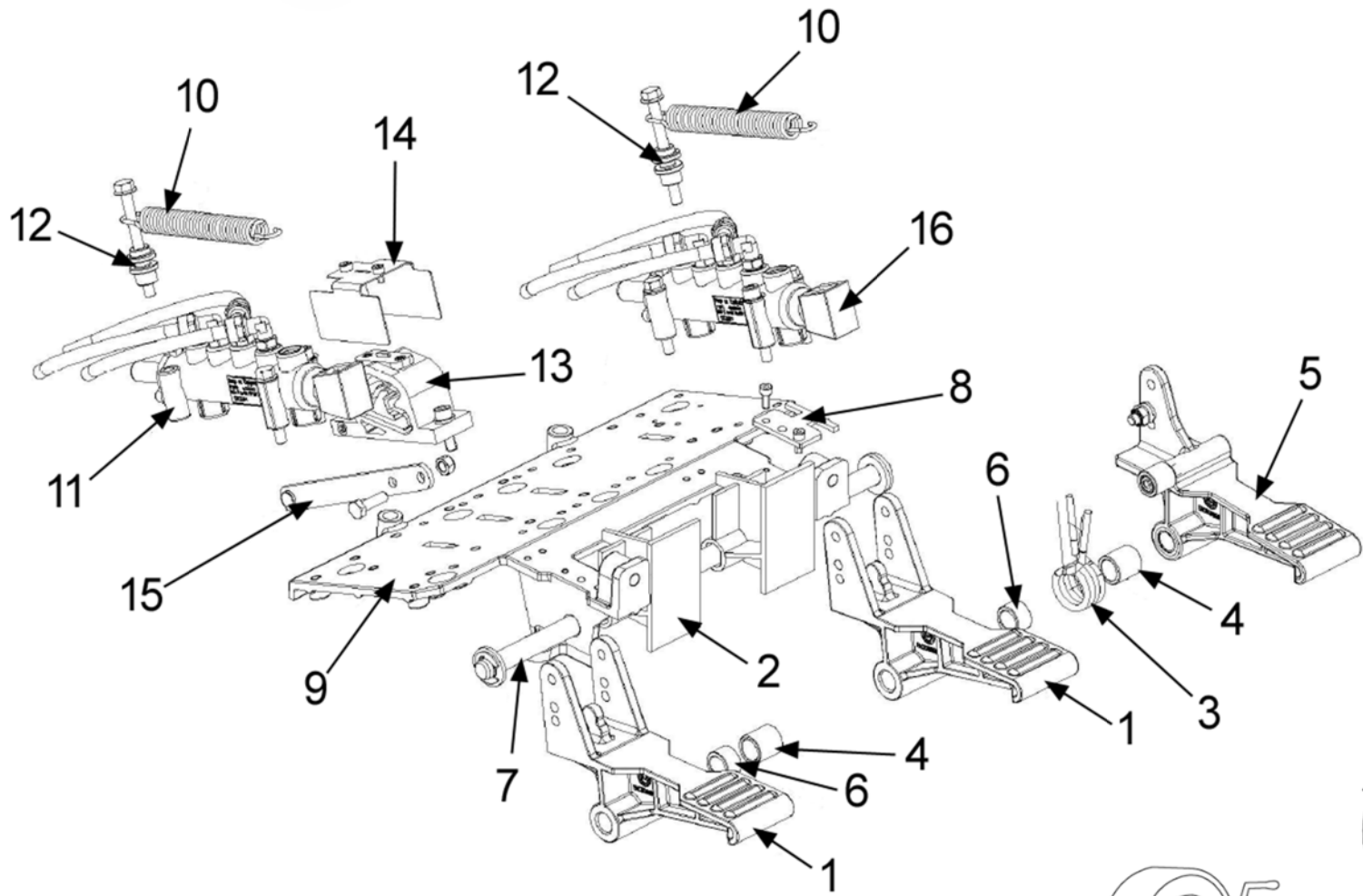


Ref	Qty	Part Number	Description	
1	1	EAA0409G85A	Turntable 24" Center Type No Gt	EAA0489G97A
2	1	EAA0351G73A	Clamp Actioning Plate	EAA0489G39A
3	8	1-25952A	Pin Dowel 5 x 10 Uni En 28734	
4	2	EAM0043G49A	Plate, Register - Clamp	
5	2	EAA0377G79A	Bracket Cylinders	
6	1	EAM0051G85A	Support, Ring	
7	1	1-18677A	Ring - Stop D 60	
8	4	EAC0099G90A	Protection Jaws New	
9	4	ST0029428	Clamp, Sliding W/Centre 20"	EAM0075G00A
10	4	EAA0408G23A	Assembled Sliding Jaw C/Type V2	
11	4	EAM0051G00A	Sliding Clamp Guide	EAS2201G51A
12	4	1-24603A	Screw Tsei 8 x 60 12.9	
13	2	EAA0410G31A	Cylinder, Turntable	
14	1	EAK0330G35A	Tt Cylinder Fittings Kit	
15	1	EAA0304G69A	Revolving Manifold, Tubeless Inflator	
16	1	EAA0338G27A	Ring - Inside, With Supports	
17	1	EAK0330G28A	Revolving Manifold Fittings Kit	
18	1	EAA0338G76A	Ring, Outer - Manifold	
19	1	EAK0306G25A	Turntable Fixing Kit	

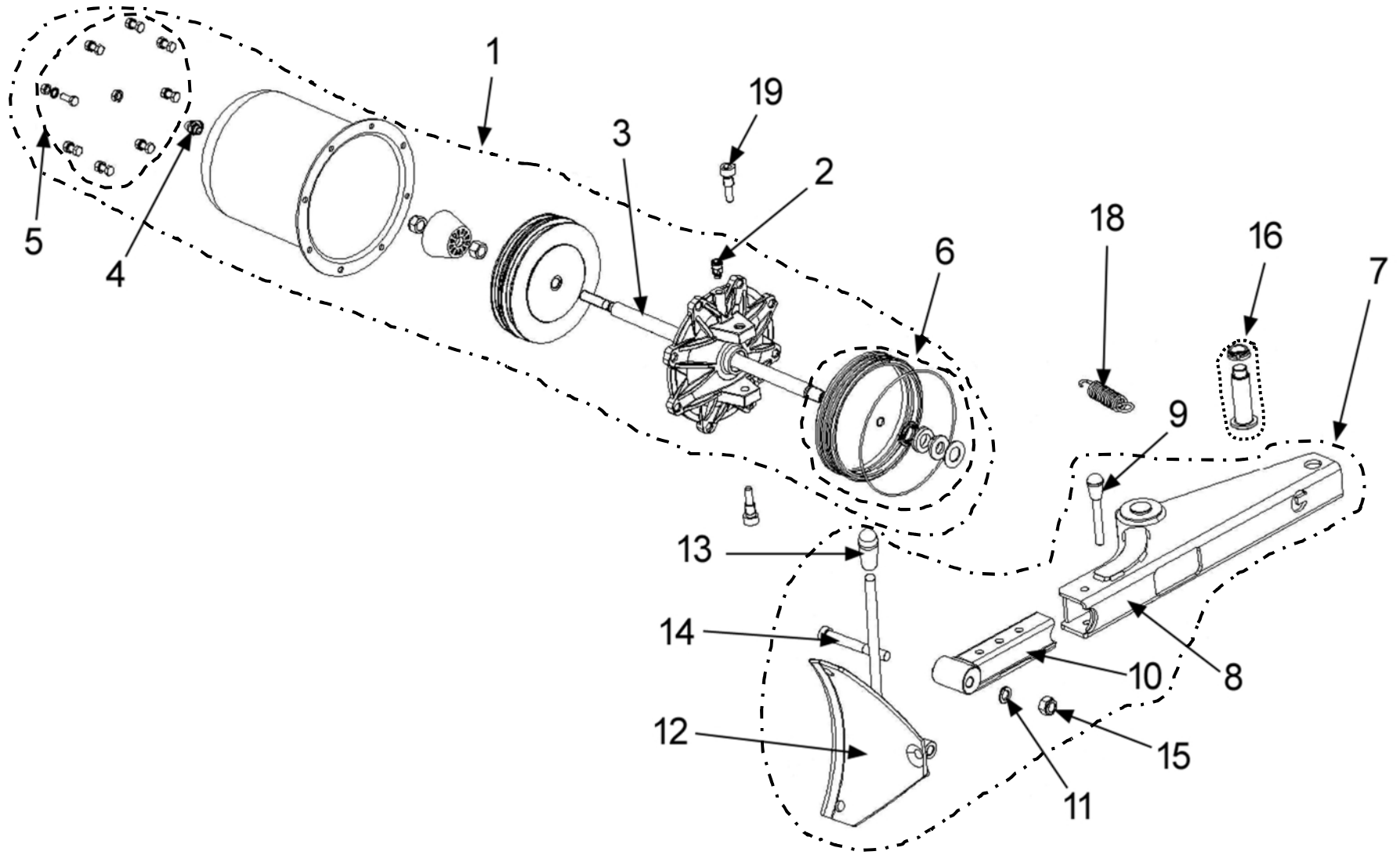
Ref	Qty	Part Number	Description	
20	2	EAK0317G36A	Seal For Round Cylinder	
21	1	EAK0306G27A	Screws And Bolts For Turntable Cyl.	
22	2	EAK0329G89A	Screws And Bolts For Clamps	
23	2	EAK0329G88A	Screws And Bolts With Eccentric	
24	3	ST0013161	Seal O-Ring D 69.44 x 3.53	8-10814A
25	1	EAS2153G40A	Turntable Flange, C/Type	EAA0481G73A
26	2	1-11633A	Nut - Hex M6 6S	
27	2	EAM0051G90A	Support, Pipe Gt (White Galvan.)	
28	1	EAK0341G62A	Turntables Hoses Kit	
29	4	1-36109A2	Screw 5 x 10	
30	1	EAK0341G63A	Turntable Hoses Kit For Gt	
31	2	1-14379A	Fitting - 90 Deg L 1/4 8 x 10	
32	2	EAM0051G83A	Pipe For Terminal Gt	
33	2	1-27379A	Fitting, Swift F 8 x 10 1/4"	1-14479A
34	1	EAA0338G77A	Spring, Joint Sealing	
35	1	EAC0087G50A	Seal Tubeless Inflator - Front Joint	
36	2	ST0019653	Front Cylinder Flange, Shaft end	
37	2	ST0019652	Rear Cylinder Flange	
38	2	ST0001368	Straight Fitting 4 x 6 mm 1/8" (Nut & Ferrule)	1-27179A
39	2	1-18879A	Elbow Fitting 4 x 6 mm 1/8" (Nut & Ferrule)	



Ref	Qty	Part Number	Description
1	1	EAK0279G66A	Belt Tightener Kit
2	1	EAA0523G18A	Foot Pedal Asm 3P
3	1	EAA0523G19A	Group, Switch Transmission
4	1	EAA0523G06A	CSA Inverter Box Assy
5	1	EAK0279G40A	Nuts / Bolts For Switch
6	1	EAK0341G09A	Reduction Unit Pulley Kit
7	1	EAA0457G27A	New Gear Box TC
8	1	EAK0306G75A	Screws Kit For Gearbox
9	1	1-1572	Key - 10 x 8 x 45
10	1	EAM0192G21A	Coupling, Connection - M10
11	1	EAM0192G20A	Tension Rod - Fitting, Plate
12	2	1-41241A	Spherical Washer
13	1	EAA0523G16A	1Ph 115V Motor Assy
14	1	2-97266A	Motor 1Ph 115V - 60Hz - 1Hp Hazloc
15	1	EAS2238G35A	Motor Support
16	1	EAM0154G58A	Pulley Dp=2" Hole D 5/8"
17	1	EAC0103G74A	V Belt, A-25
18	1	2-16759A	One Phase Rotary Switch
19	1	EAS2126G72A	Support Reverse Gear
20	1	EAA0524G19A	Switch Box Cover
21	1	EAK0279G67A	Antirotaion Kit
22	1	EAS2100G95A	Pedal - Reverser Protection
23	1	EAS2089G36A	Sheet, Upper Fixing, Black
24	2	1-41341A	Conical Washer
25	1	EAS2239G99A	Flat Plug



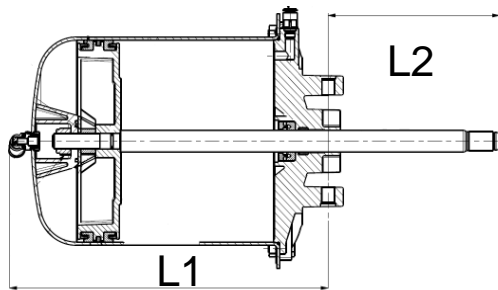
Ref	Qty	Part Number	Description
1	2	EAM0068G95A	Standard Pedal - Machined
2	2	EAC0096G11A	Spacer - Pedal
3	1	EAM0075G56A	Spring, Pedal Switch 2 Speed
4	2	EAM0048G79A	Bushing, Centering - Spring
5	1	EAA0356G92A	Right Switch Foot Pedal
6	1	EAM0070G46A	Spacer L=11 mm
7	1	EAM0068G10A	Shaft - Hinge, Pedal
8	1	EAM0070G32A	Commutator Spring Guide
9	1	EAM0068G80A	Pedal Asm Support - Machined
10	2	EAM0147G64A	Spring Recall Pedals
11	1	EAA0440G88A	Turntable Pedal Hoses + Valve
	1	EAA0356G94A	Turntable Valve
12	2	EAC0099G82A	Spring Fixing Pawl
13	1	EAC0103G56A	Cam For Pedal
14	1	EAS2115G09A	Protection Sheet For Cam
15	1	EAS2111G73A	Rod Positioner Pedal
16	1	EAA0440G87A	Bead Breaker Pedal Hoses + Valve
	1	EAA0356G94A	Bead Breaker Valve



Bead Breaker Assembly

July 2021 (90AGQxxx) to Feb 2023 (90ABSxxx)

Ref	Qty	Part Number	Description	
1	1	EAA0377G31A	TC 22" Bead Breaker Cylinder	
3	1	EAM0085G80A	Rod Bead - Breaker Cylinder	
7	1	EAA0338G44A	Complete Bead Breaker Arm	
8	1	ST4025385	Arm Support, Bead - Breaker Support	EAS2108G27A
10	1	ST4022408	Extension - Arm, B/Breaker	EAS2087G90A
12	1	ST4021305	Blade, Beadbreaker	EAS2087G93A



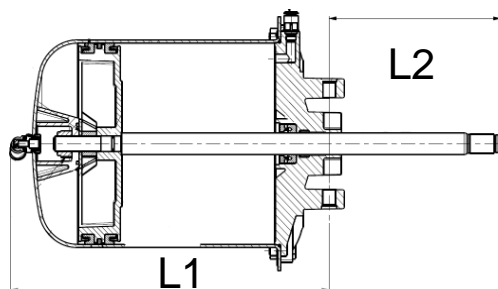
L1 12.2"

L2 8.5" in & 14.5" out

Bead Breaker Assembly

March 2023 (90ACSxxx) to Present

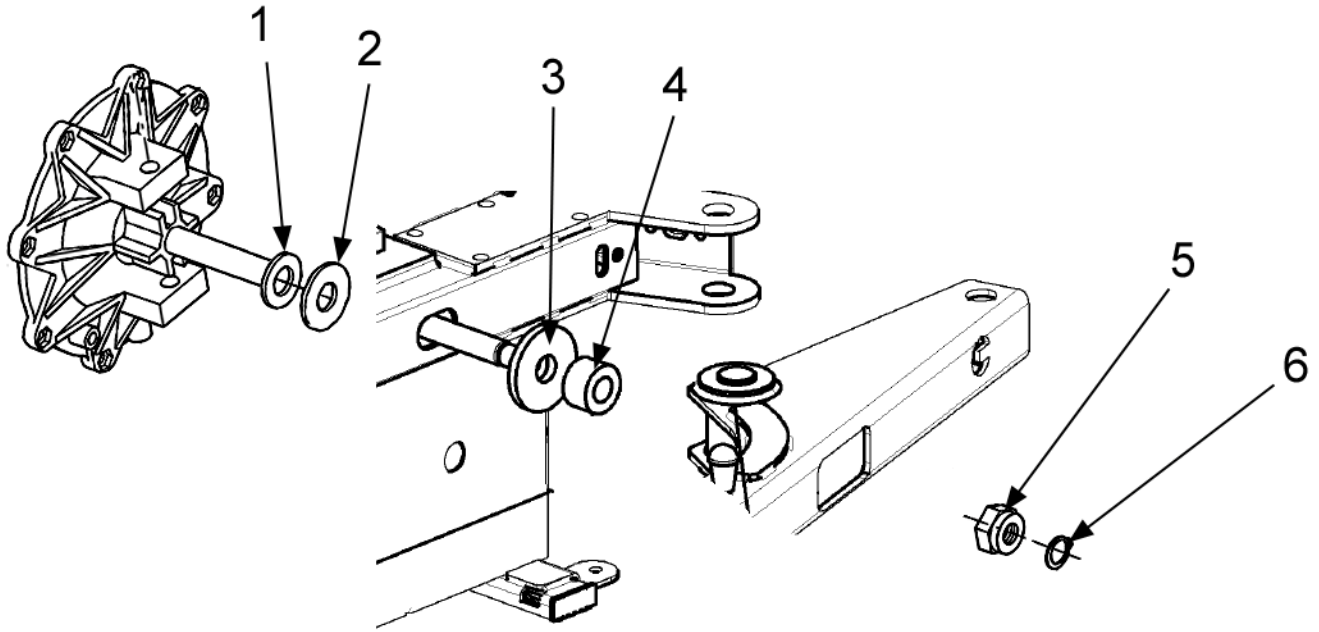
Ref	Qty	Part Number	Description
1	1	EAA0490G01A	TC 22" Bead Breaker Cylinder
3	1	EAM0167G42A	Rod Bead-Breaker Cylinder
7	1	EAA0490G02A	Complete Bead Breaker Arm
8	1	EAS2196G59A	Arm Support, Bead - Breaker Support
10	1	EAS2169G69A	Extension - Arm, B/Breaker
12	1	EAS2153G37A	Blade, Beadbreaker



L1 12.2"

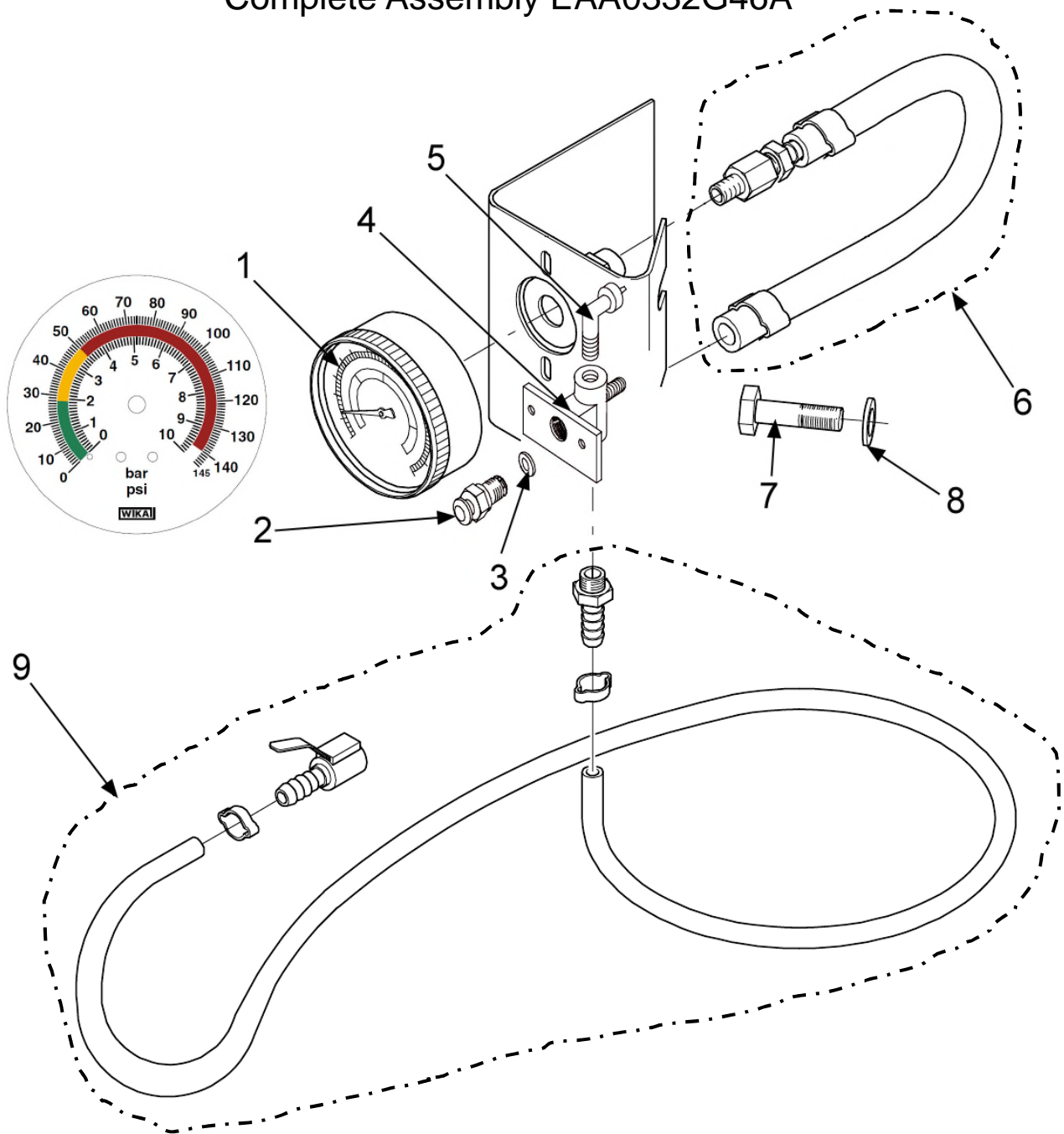
L2 9" in & 15" out

Ref	Qty	Part Number	Description	
2	1	ST0001924	Fitting - St 6 x 8 1/8	1-11379A
4	1	1-20179A	Fitting "L" 6 x 8	
5	1	EAK0306G16A	Screws And Bolts For Bead Breaker	
6	1	EAK0306G19A	Seals For Bead Breaker Cyl.	
9	1	EAA0328G72A	Pin - Lock	
11	2	ST7021329	Washer 14 mm	1-5246
13	1	EAC0078G04A	Handle - Rubber	
14	1	1-22609	Screw Tcei M14 x 110 8.8	
15	1	ST7020409	Nut - S Lock, Low - M14	1-10433
16	1	EAK0306G20A	Fulcrum Kit For Bead Breaker Arm	
	1	1-02138A	Ring Nut Metal S Lock M20	
	1	EAM0086G16A	Bead Breaker Arm Pin	
18	1	EAM0067G69A	Spring - Recall Arm, Bead Breaker	
19	2	EAM0067G34A	Screw, Fitting - Cylinder B/Break	



Ref	Qty	Part Number	Description
1	1	EAM0075G25A	Washer, Felt
2	1	EAM0075G26A	Washer, Black Plastic
3	1	EAM0167G43A	Spacer Bead Breaker Arm
4	1	EAC0097G51A	Washer - Shock Absorber
5	1	1-20933A	Nut (Lock) M18 - 1.5
6	1	1-3977	Retaining Ring

Complete Assembly EAA0332G46A



Ref	Qty	Part Number	Description
1	1	8-06820A	Gauge - Air BAR / PSI
2	1	EAA0328G57A	Bleeder Valve
3	1	EAM0043G64A	Washer, Bleeder Valve
4	1	EAC0078G59A	Body Bleeder Valve
5	1	1-11479A	Fitting - L 6 x 8 1/8
6	1	EAH0049G12A	Hose - Gauge Fitting
7	2	1-32501A	Screw 8 x 16
8	2	1-10041	Washer, Plain M8



Notice: The information contained in this document is subject to change without notice. Hofmann makes no warranty with regard to this material. Hofmann shall not be liable for errors contained herein or for incidental consequential damages in connection with furnishings, performance, or use of this material.

309 Exchange Ave
Conway, AR 72032
501-450-1500

Monty 1575 CSA Spare Parts List

TEEWH790AUA3_TS

DSS

02/2025