

# HOFMANN®



## *monty 1685*

---

**Spare Parts**

**Pieces de rechange**

**Tabla de repuestos**



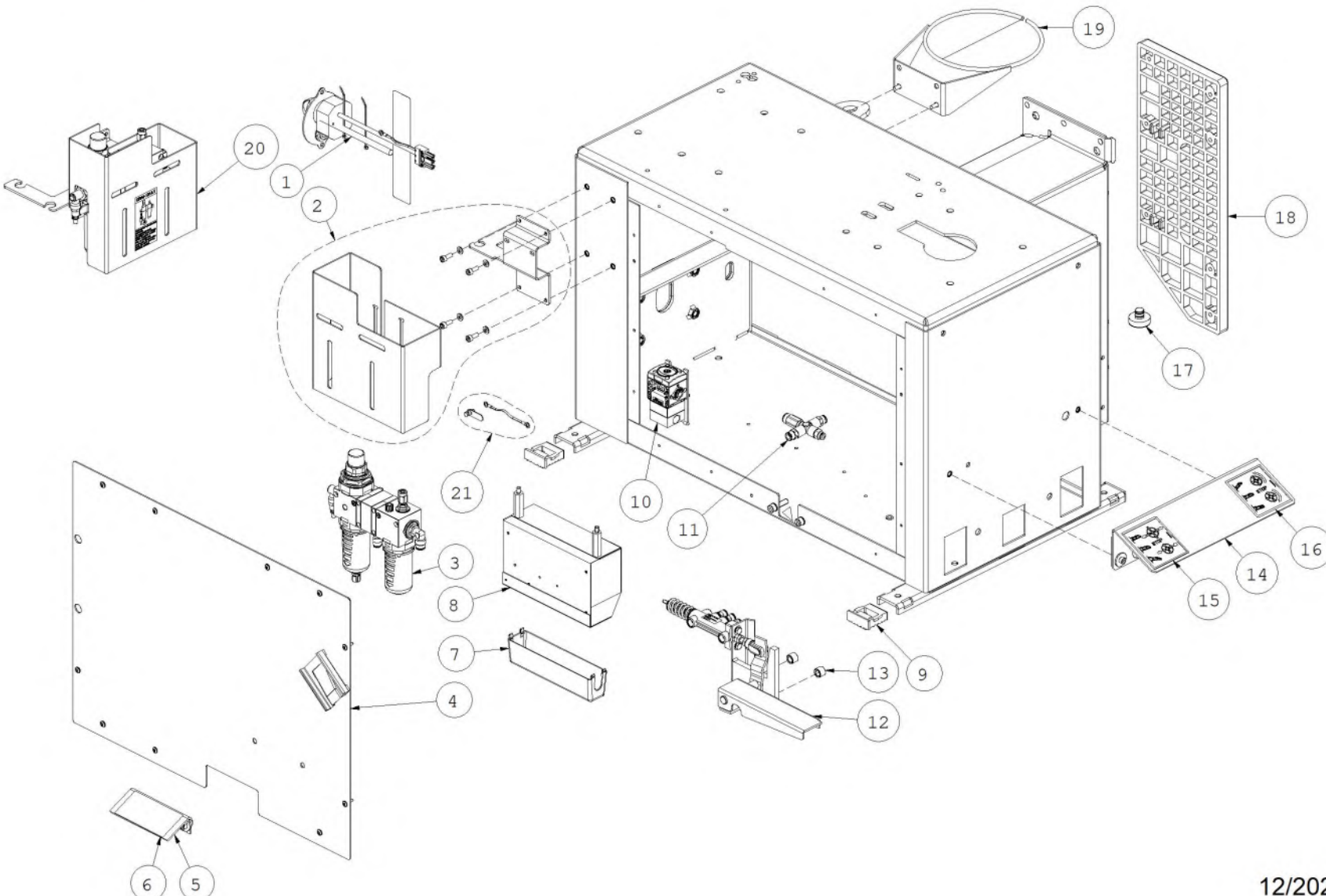


INDEX		Page
EAZ0163G47A_A1	CABINET AND AIR UNITS	4
EAZ0163G48A_A1	CABINET AND AIR UNITS	7
EAZ0163G49A_A1	SWING TOWER WITH TOOLBOX	9
EAZ0163G50A_B	24" TURNTABLE GT	12
EAZ0122G84A_A3	MOTOR AND GEAR BOX	16
EAZ0122G83A_A	PEDAL UNIT 2P-CTS	18
EAZ0132G97A_A1	PEDAL UNIT 2P-115V	21
EAZ0138G19A_C	PEDAL ASSY AND TRANSMISSION 115V	24
EAZ0138G20A_C	PEDAL UNIT AND TRANSMISSION 230V	27
EAZ0138G21A_A	2P PEDAL ASSY 115/230V	29
EAZ0163G51A_A	BEAD BREAKER SYSTEM	32
EAZ0163G52A_A	BEAD ASSIST	34
TEEWH003S_A	PNEUMATIC DIAGRAM - SWING	36
TEEWH588ACWD_A	ELECTRIC DIAGRAM CSA 1ph – 230V	37
TEEWH784AWD_B	ELECTRIC DIAGRAM 1 PHASE MOTOR 115V	38

**UPDATING GUIDE:**

Jan. 25: EAZ0122G84A\_A2 > EAZ0122G84A\_A3

EAZ0163G47A.A



12/2023

Pos	Code	Designation	Désignation	Designación	N.	Note	Nota	A	B	C
1	EAA0481G43A	ROTARY CAM SWITCH GROUP - UL	GROUPE SECTIONNEUR	GROUPE SECTIONNEUR	1			X		X
2	EAK0390G48A	FILTER PROTECTION KIT	KIT PROTECTION FILTRE	KIT PROTECCIÓN FILTRO	1				X	
3	EAA0370G46A	FILTER REDUC. GROUP +LUBRIC.3/8	GROUPE FILTRE REDUCTEUR+LUBRIF.	GRUPO FILTRO REDUCTOR+LUBRIF.	1				X	
4	EAS2259G96A	SIDE PANEL	PANNEAU LATERAL	LATERAL	1	RAL 9005			X	
5	EAS2115G83A	PEDAL PROTECTOR	PROTECTION PEDALE	PROTECCIÓN PEDAL NEGRO RECUBIERTO	1				X	
6	EAL0413G34A	STICKER INFLATOR	ETIQUETTE GONFLEUR	ETIQUETA INFLADOR	1				X	
7	EAC0103G88A	COVER FOR INVERTER BOX	COUVERCLE BOITE CONVERTISSEUR	TAPA CAJA INVERTER	1			X		
8	EAK0341G06A	INVERTER GROUP - 230V	GROUPE ONDULEUR DEMONTE-PNEUS - 230V	GRUPO INVERTER DESMONTADOR - 230V	1			X		X
9	EAC0097G52A	FOOT-SQUARE	SUPPORT CARRE	SOPORTE PIE CUADRADO	4				X	
10	EAK0375G82A	ASSY, INFLATION VALVE	KIT VANNE GONFLAGE GT	KIT VÁLVULA INFLADO	1			X		X
11	EAA0556G50A	FITTINGS GROUP	KIT RACCORDS	KIT RACORES	1				X	
12	EAA0384G14A	GROUP, BEAD INFLATING PEDAL	GROUPE PEDALE POMPE	GRUPO,PEDAL INFLADOR	1				X	
13	EAM0048G21A	SPACER D9X15 L12 MM	ENTRETOISE D9X15 L12 MM	RIOSTRA D9X15 L 12MM	2			X		X
14	EAA0556G52A	PEDAL PROTECTION WITH FOAM	PROTECTION PEDALE	PROTECCIÓN PEDAL	1	RAL 9005			X	
15	EAL0462G94A	LABEL,FOOT PEDAL CLAMP	ETIQUETTE, BORNE PEDALE	ETIQUETA PEDAL BORNE	1			X		X
16	EAL0467G01A	LABEL,FOOT PEDAL ROTATION	ETIQUETTE, ROTATION PEDALE	ETIQUETA PEDAL ROTACIÓN	1			X		X
17	EAC0078G03A	CIRCULAR RUBBER FOOT	SABOT CIRCULAIRE	PIE CIRCULAR	1				X	

**A** = available - disponible - disponible

**B** = on request - sur demande - a petición

**C** = suggested - suggeré - sugerido

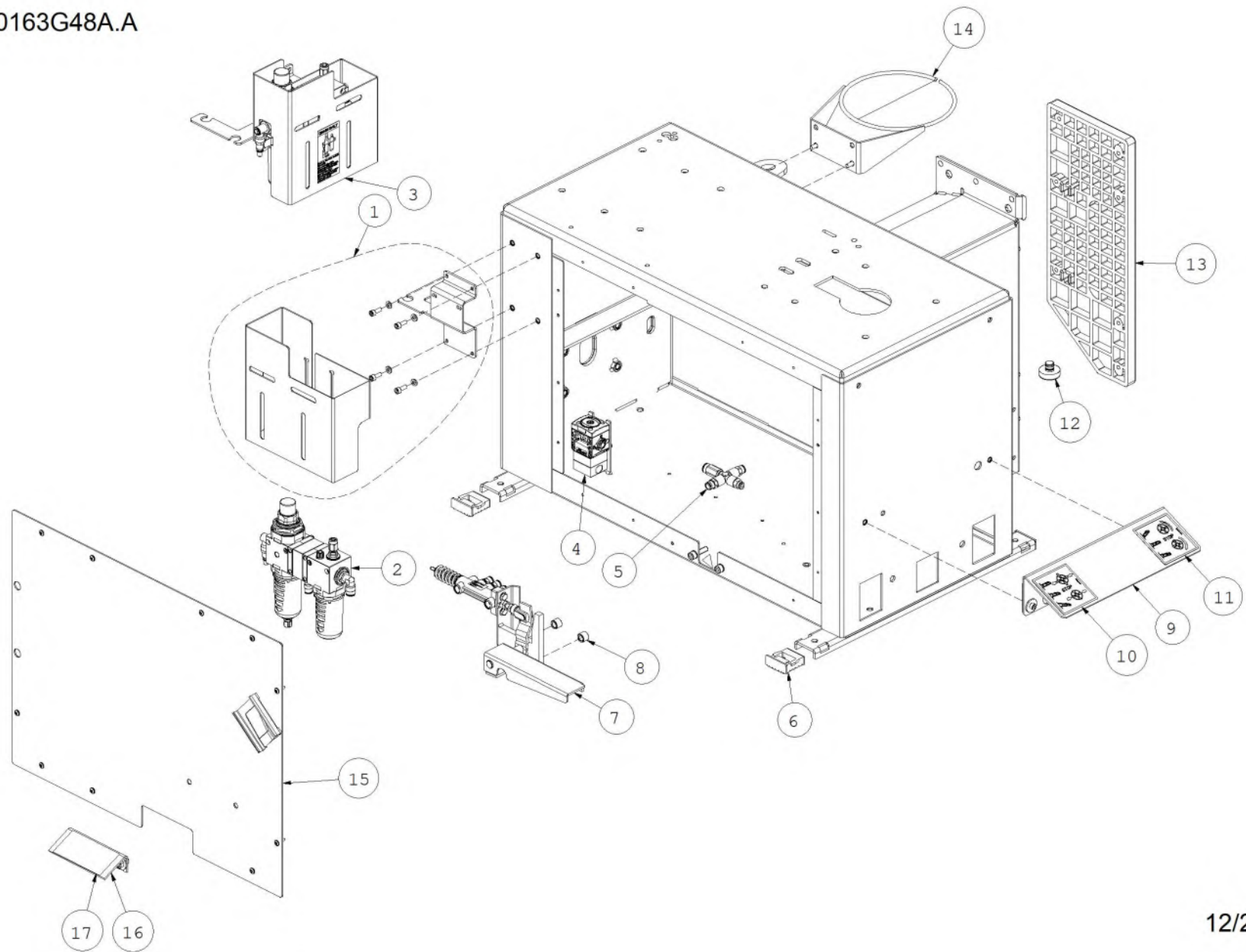
Pos	Code	Designation	Désignation	Designaciòn	N.	Note	Nota	A	B	C
18	EAC0099G22A	PAD- SUPPORT, BEADBREAKER	PALIER APPUI DETALONNEUR	TAMPÓN SOPORTE DESTALONADOR	1			X		X
19	EAA0349G76A	RING- BOX, GREASE	COURONNE BOITE GRAISSE	ANILLO PORTAGRASA GALVANIZADO	1				X	
20	EAA0537G17A	LUBRICATOR FILTER NA GROUP	GROUPE FILTRE LUBRIFICATEUR	GRUPO FILTRO LUBRIFICADOR	1	NA			X	
21	EAK0330G91A	GROUND AND CABLE LABLE KIT	KIT PLAQUETTE TERRE ET CABLE	KIT PLACA TIERRA Y CABLE	1				X	

**A** = available - disponible - disponible

**B** = on request - sur demande - a petición

**C** = suggested - suggeré - sugerido

EAZ0163G48A.A



12/2023

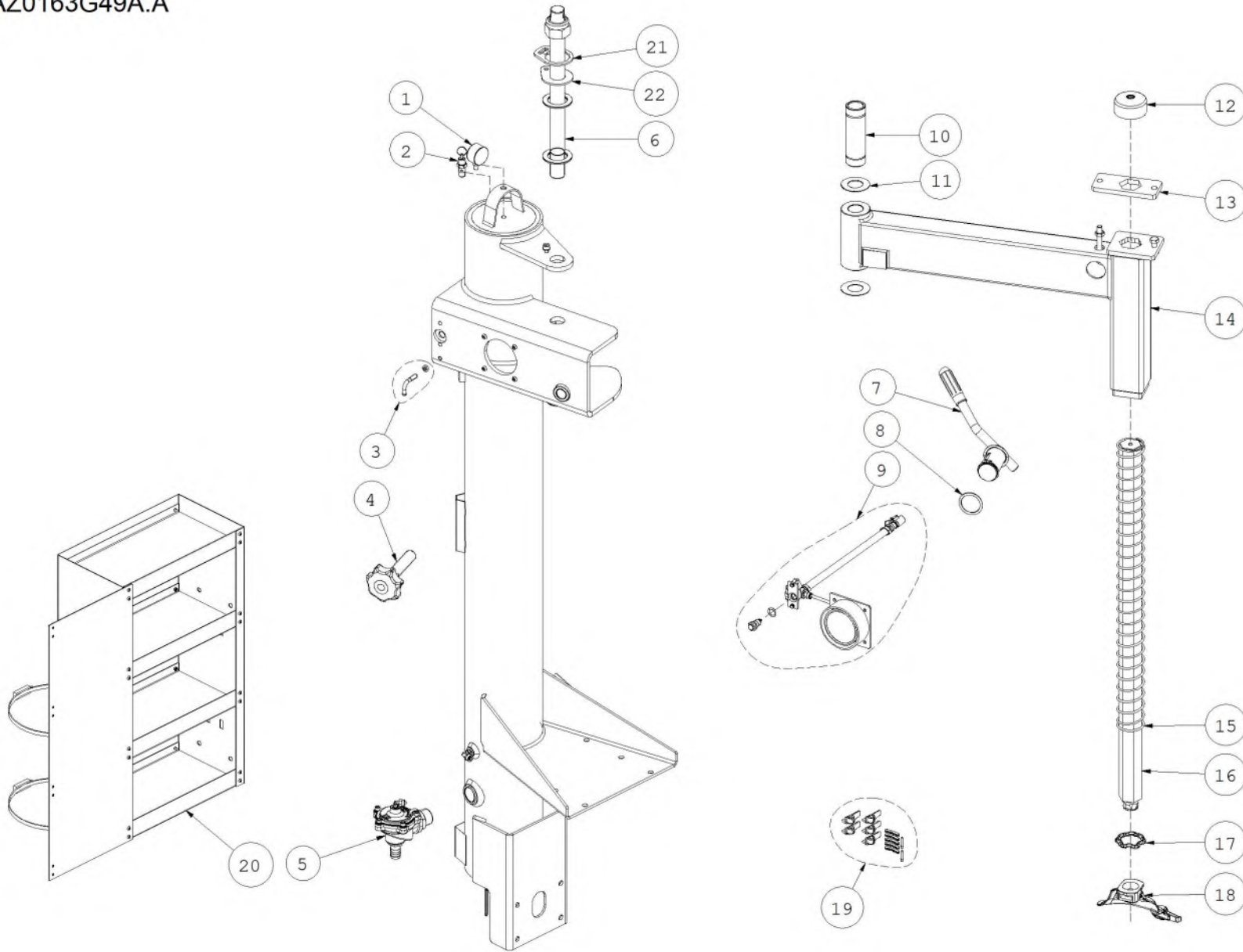
Pos	Code	Designation	Désignation	Designación	N.	Note	Nota	A	B	C
1	EAK0390G48A	FILTER PROTECTION KIT	KIT PROTECTION FILTRE	KIT PROTECCIÓN FILTRO	1				X	
2	EAA0370G46A	FILTER REDUC. GROUP +LUBRIC.3/8	GROUPE FILTRE REDUCTEUR+LUBRIF.	GRUPO FILTRO REDUCTOR+LUBRIF.	1				X	
3	EAA0537G17A	LUBRICATOR FILTER NA GROUP	GROUPE FILTRE LUBRIFICATEUR	GRUPO FILTRO LUBRIFICADOR	1	NA			X	
4	EAK0375G82A	ASSY, INFLATION VALVE	KIT VANNE GONFLAGE GT	KIT VÁLVULA INFLADO	1			X		X
5	EAA0556G50A	FITTINGS GROUP	KIT RACCORDS	KIT RACORES	1				X	
6	EAC0097G52A	FOOT-SQUARE	SUPPORT CARRE	SOPORTE PIE CUADRADO	4				X	
7	EAA0384G14A	GROUP, BEAD INFLATING PEDAL	GROUPE PEDALE POMPE	GRUPO, PEDAL INFLADOR	1				X	
8	EAM0048G21A	SPACER D9X15 L12 MM	ENTRETOISE D9X15 L12 MM	RIOSTRA D9X15 L 12MM	2			X		X
9	EAA0556G52A	PEDAL PROTECTION WITH FOAM	PROTECTION PEDALE	PROTECCIÓN PEDAL	1	RAL 9005			X	
10	EAL0462G94A	LABEL, FOOT PEDAL CLAMP	ETIQUETTE, BORNE PEDALE	ETIQUETA PEDAL BORNE	1			X		X
11	EAL0467G01A	LABEL, FOOT PEDAL ROTATION	ETIQUETTE, ROTATION PEDALE	ETIQUETA PEDAL ROTACIÓN	1			X		X
12	EAC0078G03A	CIRCULAR RUBBER FOOT	SABOT CIRCULAIRE	PIE CIRCULAR	1				X	
13	EAC0099G22A	PAD- SUPPORT, BEADBREAKER	PALIER APPUI DETALONNEUR	TAMPÓN SOPORTE DESTALONADOR	1			X		X
14	EAA0349G76A	RING- BOX, GREASE	COURONNE BOITE GRAISSE	ANILLO PORTAGRASA GALVANIZADO	1				X	
15	EAS2259G96A	SIDE PANEL	PANNEAU LATERAL	LATERAL	1	RAL 9005			X	
16	EAS2115G83A	PEDAL PROTECTOR	PROTECTION PEDALE	PROTECCIÓN PEDAL NEGRO RECUBIERTO	1				X	
17	EAL0413G34A	STICKER INFLATOR	ETIQUETTE GONFLEUR	ETIQUETA INFLADOR	1				X	

**A** = available - disponible - disponible

**B** = on request - sur demande - a petición

**C** = suggested - suggeré - sugerido

EAZ0163G49A.A



12/2023

Pos	Code	Designation	Désignation	Designación	N.	Note	Nota	A	B	C
1	8-06120A	MANOMETER-RADIAL 0-16 D.40	MANOMETRE RADIAL 0-16 D.40	MANÓMETRO RADIAL 0-16BAR D.40	1			X		
2	1-31381A	VALVE, ASME SAFETY, 1/4" BSPT	SOUPAPE DE SURETE	VALVULA DE SEGURIDAD	1			X		X
3	EAK0330G99A	FIXING KIT FOR INFLATING GAUGE	KIT FIXATION PISTOLET	KIT CONEXIÓN PISTOLA	1				X	
4	EAA0471G40A	SCREW, ANGULAR ADJUSTMENT	VIS REGLAGE ANGULAIRE	TORNILLO REGULACIÓN ANGULAR	1				X	
5	EAK0341G00A	VALVE,AIR-CONTROLLED KIT	KIT VANNE COMMANDE PNEUMATIQUE	KIT VÁLVULA MANDO NEUMÁTICO	1			X		x
6	EAM0210G34A	FULCRUM FOR SWING ARM	KIT PIVOT POUR EQUILIBRAGE	KIT PIVOTE POSTE SWING	1			X		
7	EAK0341G02A	REGISTER LEVER KIT	KIT LEVIER REGLAGE	KIT PALANCA REGULACIÓN	1			X		
8	EAM0070G15A	WASHER- ADJUSTMENT	RONDELLE DE REGLAGE	ARANDELA DE REGULACION	1			X		
9	EAK0390G49A	MANOMETER AND HOSE INFLATING KIT	KIT MANOMETRE ET TUYAU GONFLAGE	KIT MANÓMETRO Y TUBO INFLADO	1				X	
10	EAM0209G32A	BUSHING FOR PBA FULCRUM	DOUILLE	CASQUILLO	1				X	
11	EAM0210G33A	ADJUSTMENT WASHER	RONDELLE DE REGLAGE	ARANDELA DE REGULACION	2		1,5mm TH	X		
11	EAM0221G37A	ADJUSTMENT WASHER	RONDELLE DE REGLAGE	ARANDELA DE REGULACION	2		1mm TH.	X		
12	EAM0140G92A	COVER FOR HEX BAR	COUVERCLE TIGE HEXAGONALE	TAPA VARILLA HEXAGONAL	1				X	
13	EAS2195G88A	PLATE ROD LOCKING SPANNER CH41	CLE DE SERRAGE TIGE PATEAU CH41	PALANCA ESTRANGULACIÓN CH41	1				X	
14	EAA0537G12A	SWING ARM	BRAS POTENCE	BRAZO BANDERA	1				X	
15	EAS2153G47A	SPRING-RECALL, TOWER,VERTICAL	RESSORT RETOUR TIGE VERTICALE	RESORTE REGRESO BARRA VERTICAL	1			X		
16	EAM0153G92A	ROD, VERTICAL SP. 41	TIGE VERTICALE, EP. 41	VARILLA VERTICAL CH. 41	1			X		

**A** = available - disponible - disponible

**B** = on request - sur demande - a petición

**C** = suggested - suggeré - sugerido

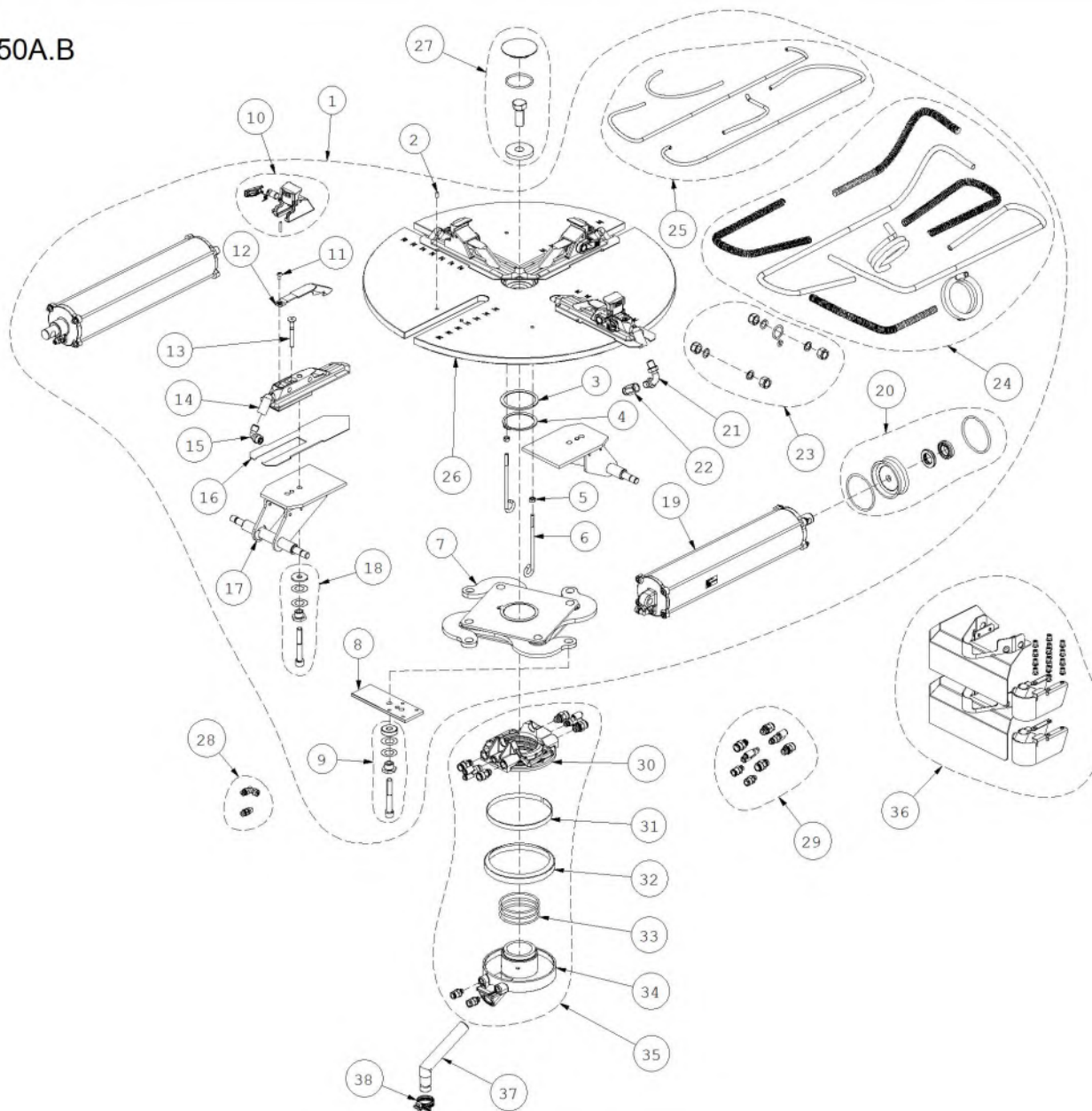
Pos	Code	Designation	Désignation	Designación	N.	Note	Nota	A	B	C
17	EAC0094G02A	RING, SHOCK-ABSORBER	BOUCLE AMORTISSEUR	ANILLO AMORTIGUADOR	1			X		X
18	EAA0329G95A	MOUNTING/DEMOUNTING TOOL	OUTIL P. MONTAGE ET DEMONTAGE	HERRAMIENTA P. MONTAJE Y DESMONTAJE	1			X		x
19	EAA0350G07A	SET PLASTIC PROTECTION FOR RIM	JEU PROTECTION JANTES	GRUPO PROTECCION LLANTAS	1			X		X
20	EAK0330G93A	TOOL BOX ASSY	GROUPE BOITE A OUTILS	GRUPO CAJA PORTAOBJETOS	1			X		
21	EAS2259G93A	PLATE- RETAINER	PLAQUETTE ARRET	ARANDELA PISTONERA	2			X		
22	EAS2258G35A	WASHER FOR SWING ARM	RONDELLE	ARANDELA	2			X		

**A** = available - disponible - disponible

**B** = on request - sur demande - a petición

**C** = suggested - suggeré - sugerido

EAZ0163G50A.B



10/2024

Pos	Code	Designation	Désignation	Designación	N.	Note	Nota	A	B	C
1	EAA0556G45A	TURNTABLE 24" CENTER TYPE GT	AUTOCENTRANT 24" CONV. CENT. GT	AUTOCENTRADO 24" CONV. CENTR. GT	1	24"			X	
2	1-25952A	PIN DOWEL 5x10 UNI EN 28734	GOUPILLE	PASADOR	8			X		
3	EAM0051G85A	WASHER	BAGUE DE SOUTIEN	ARANDELA DE SOPORTE	1			X		
4	1-18677A	RING- STOP D.60	ANNEAU D'ARRET	ANILLO DE PARO PARA ÁRBOL D.60	1			X		
5	1-11633A	NUT-HEX. M6 6S	ECROU M6 6S	TUERCA M6 CL.8 BR-MEDIO	2	M6		X		
6	EAM0051G90A	SUPPORT, PIPE GT ( WHITE GALVAN.)	SUPPORT POUR TUYAU (ZINGAG. BLANC) GT	SOPORTE POR TUBO (GALV. BLANC) GT	2			X		
7	EAA0489G39A	20"/24" CLAMP ACTIONING PLATE	PLAQUETTE REGLAGE ETAUX	PLATO REGLAJE GARRAS	1				X	
8	EAM0043G49A	CLAMP ADJUSTMENT PLATE	PLATEAU REGLAGE ETAU	PLATO REGLAJE GARRA	2			X		
9	EAK0329G88A	SCREWS AND BOLTS WITH ECCENTRIC	KIT VIS AVEC EXCENTR.PLAQUE BORNES	KIT TORNILLOS EXCÉNTR.PLACA BORNES	2			X		
10	EAA0408G23A	ASSEMBLED SLIDING JAW C/TYPE V2	CALE COULISSANTE C/C ASSEMBLEE V2	CUÑA DESLIZANTE C/C MONTADO V2	4			X		
11	1-36109A2	SCREW TBEI 5X10 8G	VIS BHc	TORNILLO TBEI	4			X		
12	EAC0099G90A	JAWS PROTECTION	PROTECTION ETAUX	PROTECCIÓN ABRAZADERA NUEVO ST.	4			X		X
13	1-24603A	SCREW TSEI 8X60 12.9	VIS FHc	TORNILLO TSEI	4			X		
14	EAM0075G00A	SLIDING CLAMP FOR CENTER TYPE TURNTA	ETAU COULISSANT A/CENTRE 20"-S2	ABRAZADERA CORREDERA C/CENTRO 20"-S2	4			X		
15	1-14379A	FITTING-90 DEG L 1/4 8X10	RACCORD A L 1/4 8X10	CONEXIÓN EN L 1/4 BX10	2			X		
16	EAS2201G51A	24" SLIDING CLAMP GUIDE	GUIDE ETAU COULISSANT 24"	GUÍA MORS. CORRED. 24"	4			X		
17	EAA0377G79A	BRACKET CYLINDERS	SIEGE VERINS	ESTRIBO CILINDROS	2			X		

**A** = available - disponible - disponible

**B** = on request - sur demande - a petición

**C** = suggested - suggeré - sugerido

Pos	Code	Designation	Désignation	Designación	N.	Note	Nota	A	B	C
18	EAK0329G89A	SCREWS AND BOLTS FOR CLAMPS	KIT VIS PATEAU COMMANDE BORNES	KIT TORNILLOS PLACA MANDO BORNES	2			X		
19	EAA0410G31A	CYLINDER, TURNTABLE	CYLINDRE AUTOCENTRANT	CILINDRO AUTOCENTRADOR	2			X		
20	EAK0317G36A	TURNTABLE CYLINDER SEALS KIT	KIT JOINTS CYLINDRES RONDS	KIT JUNTAS CILINDROS REDONDOS	2			X		
21	EAM0051G83A	PIPE FOR TERMINAL GT	TUYAU POUR BORNE GT	TUBO POR BORNE GT	2			X		
22	1-14479A	FITTING, SWIFT F.8X10 1/4"	RACCORD RAPIDE F. 8X10 1/4"	CONEXIÓN RÁPIDA F.8X10 1/4"	2			X		
23	EAK0306G27A	SCREWS AND BOLTS FOR TURNTABLE CYL.	KIT VIS VERINS AUTOCENTRANT	KIT TORNILLOS CILINDROS AUTOCENTRADOR	1			X		
24	EAK0341G63A	TURNTABLE HOSES KIT FOR GT	KIT TUBES AUTOCENTRANT GT	KIT TUBOS GT	1				X	
25	EAK0341G62A	TURNTABLES HOSES KIT	KIT TUBES AUTOCENTRANT	KIT TUBOS AUTOCENTRADOR	1				X	
26	EAA0556G44A	TURNTABLE FLANGE, C/TYP	PLATEAU AUTOCENTRANT CONV.CENT.	PLATO AUTOCENTRANTE CONV.CENT.	1	20"/24"		X		
27	EAK0306G25A	TURNTABLE FIXING KIT	KIT RACCORDEMENT AUTOCENTRANT	KIT CONEXIÓN AUTOCENTRADOR	1			X		
28	EAK0330G35A	TT CYLINDER FITTINGS KIT	KIT RACCORDS CYLINDRE AUTOCENTRANT	KIT RACORES CILINDRO AUTOCENTRADOR	1			X		
29	EAK0330G28A	REVOLVING MANIFOLD FITTINGS KIT	KIT RACCORDEMENT DISTRIB.TOURNANT	KIT RACORES DISTRIB. GIRATORIO	1				X	
30	EAA0338G76A	RING, OUTER - MANIFOLD	COLLIER EXTERIEUR COLLECTEUR	ARO EXTERIOR COLECTOR	1			X		
31	EAA0338G77A	SPRING, JOINT SEALING	RESSORT RETENUE JOINT	MUELLE SUJECIÓN JUNTA	1			X		
32	EAC0087G50A	GASKET SEAT	JOINT FRONTAL GONFLEUR	JUARNICIÓN FRONTAL HINCHADOR TUBELES	1			X		X
33	8-10814A	SEAL OR D.69.44X3.53	JOINT TORIQUE	JUARNICIÓN OR	1			X		
34	EAA0338G27A	RING-INSIDE, WITH SUPPORTS	COLLIER INTERIEUR AVEC ROULEMEN	RUEDA CON CONEXIÓNS	1			X		

**A** = available - disponible - disponible

**B** = on request - sur demande - a petición

**C** = suggested - suggéré - sugerido

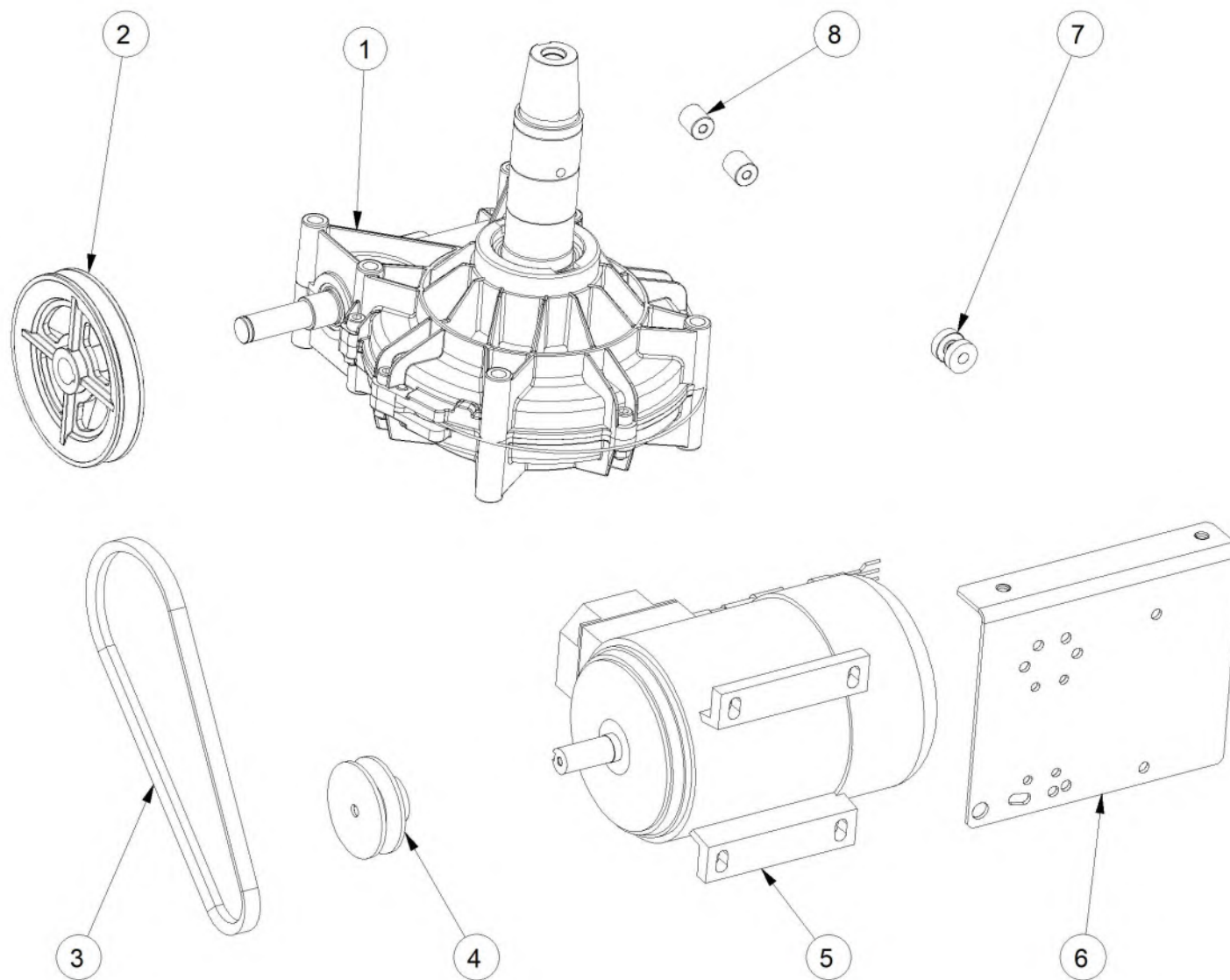
Pos	Code	Designation	Désignation	Designaciòn	N.	Note	Nota	A	B	C
35	EAA0304G69A	REVOLVING MANIFOLD, TUBELESS INFLATOF	DISTRIBUTEUR TOURNANT GT	DISTRIBUIDOR GIRATORIO GT	1			X		
36	EAA0458G96A	ANTI ENTRAPMENT PROTECT. KIT, 24" - 26"	KIT DE PROTECTION ANTI-ENTRAINEMENT	KIT DE PROTECCIÓN ANTI-ARRASTRE	1	24" - 26"		X		
37	EAS2138G25A	HOSE, CONNECTION- RUBBER	TUYAU ACCROCHEMENT CAOUTCHOUC	TUBO DE CONNECTION EN GOMA	1			X		
38	EAM0075G29A	CLIP, LOCKING-HOSE	BANDE SERRAGE TUYAU	ABRAZADERA SERRAJE TUBO	2	20>32 MM		X		

**A** = available - disponible - disponible

**B** = on request - sur demande - a petición

**C** = suggested - suggeré - sugerido

EAZ0122G84A.A



Pos	Code	Designation	Désignation	Designación	N.	Note	Nota	A	B	C
1	EAA0457G27A	GEARBOX	REDUCTEUR	REDUCTOR	1			X		
2	EAM0125G94A	PULLEY	POULIE	POLEA	1				X	
3	EAC0099G95A	BELT A27	COURROIE A27	CORREA A27	1			X		x
3	EAC0078G58A	V BELT, A-26	COURROIE A-26	CORREA A-26	1			X		x
4	EAM0125G93A	PULLEY,1 GROOVE 60Hz,MACHINED	POULIE, 1 RAINURE 60Hz, USINEES	POLEA,1 GARGANTA, 60Hz,TRABAJADOS	1	230V			X	
4	EAM0154G58A	PULLEY DP=2" HOLE D.5/8"	POULIE MOTEUR DP=2" - ORIF. D.5/8"	POLEA MOTOR DP=2" - ORIFICIO D.5/8"	1	115V			X	
5	EAA0410G01A	HIGH SPEED MOTOR W/CABLE FOR INVERTE	MOTEUR AVEC CABLE POUR ONDULEUR HS	MOTOR CON CABLE PARA INVERTER HS	1			X		
5	EAA0534G62A	1 PHASE US MOTOR CABLE ASSEMBLY	GROUPE CABLE MOTEUR 1F US	GRUPO CABLE MOTOR 1F US	1	115V		X		
6	EAS2131G28A	MOTOR SUPPORT	SUPPORT MOTEUR	SOPORTE MOTOR	1			X		
7	EAC0097G54A	WASHER SHOCK ABSORBER	RONDELLE-AMORTISSEMENT	ARANDELA DE AMORTIGUACIÓN	2				X	
8	EAM0032G93A	ANTIROTATION BUSHING	BUTEE ANTIROTATION	CASQUILLO ANTI-ROTACIÓN	2				X	

**A** = available - disponible - disponible

**B** = on request - sur demande - a petición

**C** = suggested - suggeré - sugerido



Pos	Code	Designation	Désignation	Designación	N.	Note	Nota	A	B	C
1	EAM0068G95A	STANDARD PEDAL - MACHINED	PEDAL STD.	PEDAL STD	1			X		
2	EAC0096G11A	SPACER-PEDAL	ENTRETOISE PÉDALES	DISTANCIADOR PEDALES	3			X		
3	EAM0048G79A	BUSHING, CENTERING- SPRING	COQUILLE SIEGE RESSORT	CASQUILLO CENTRADO MUELLE	2			X		
4	EAM0075G56A	SPRING, PEDAL SWITCH 2SPEED	RESSORT INTERRUPTEUR PÉDALE 2SP	MUELLE PEDAL INTERRUPTOR 2SP	1			X		x
5	EAA0356G92A	RIGHT SWITCH FOOT PEDAL	PEDALE INTERRUPTEUR DROIT	PEDAL INTERRUPTOR DER.	1				X	
6	EAM0068G80A	PEDAL ASM SUPPORT - MACHINED	SUPPORT JEU PÉDALES - USINÉ	SOPORTE JUEGO DE PEDALES-MECANIZADO	1				X	
7	EAM0075G91A	SPRING RECALL PEDALS	RESSORT RETOUR PEDALES	MUELLE DE RETORNO PEDALES	1				X	
8	EAM0068G10A	SHAFT-HINGE, PEDAL	PIVOT PEDALES	EJE PEDALES	1			X		
9	EAM0070G32A	COMMUTATOR SPRING GUIDE	GUIDE RESSORT INVERSEUR	GUÍ MUELLE INVERTIDOR	1			X		
10	EAS2140G74A	END STROKE FOR PEDAL	FIN DE COURSE PEDAL	FINAL CARRERA PEDAL	1				X	
11	EAS2132G66A	ROD PEDAL POTENTIOMETER	BIELLE POTENTIOMETRE	BIELA POTENCIÓMETRO	1				X	
12	EAK0330G64A	POTENTIOMETER GROUP KIT	KIT GROUPE POTENTIOMETRE	KIT GRUPO POTENCIÓMETRO	1	CTS		X		x
13	EAC0103G56A	CAM FOR PEDAL	CAME PEDALE	LEVA PEDAL	1			X		
14	EAS2115G09A	PROTECTION SHEET FOR CAM	TOLE PROTECTION CAME	CHAPA PROTECCIÓN EXCÉNTRICO	1				X	
15	EAW0286G08A	CABLE FOR CTS POTENTIOMETER	CABLE POUR POTENTIOMETRE CTS	CABLE POTENCIÓMETRO CTS	1			X		x
16	EAS2111G73A	ROD POSITIONER PEDAL	BIELLE POSITIONNEMENT PEDALE	BIELA DE POSICIONAMIENTO PEDAL	1			X		x
17	EAA0440G88A	TURNTABLE PEDAL HOSES + VALVE	TUYAUX PEDALE PLATEAU TOURNANT + VANI	CONJ.TUBOS Y VÁLVULA PEDAL AUTOCENTR.	1			X		

**A** = available - disponible - disponible

**B** = on request - sur demande - a petición

**C** = suggested - suggeré - sugerido

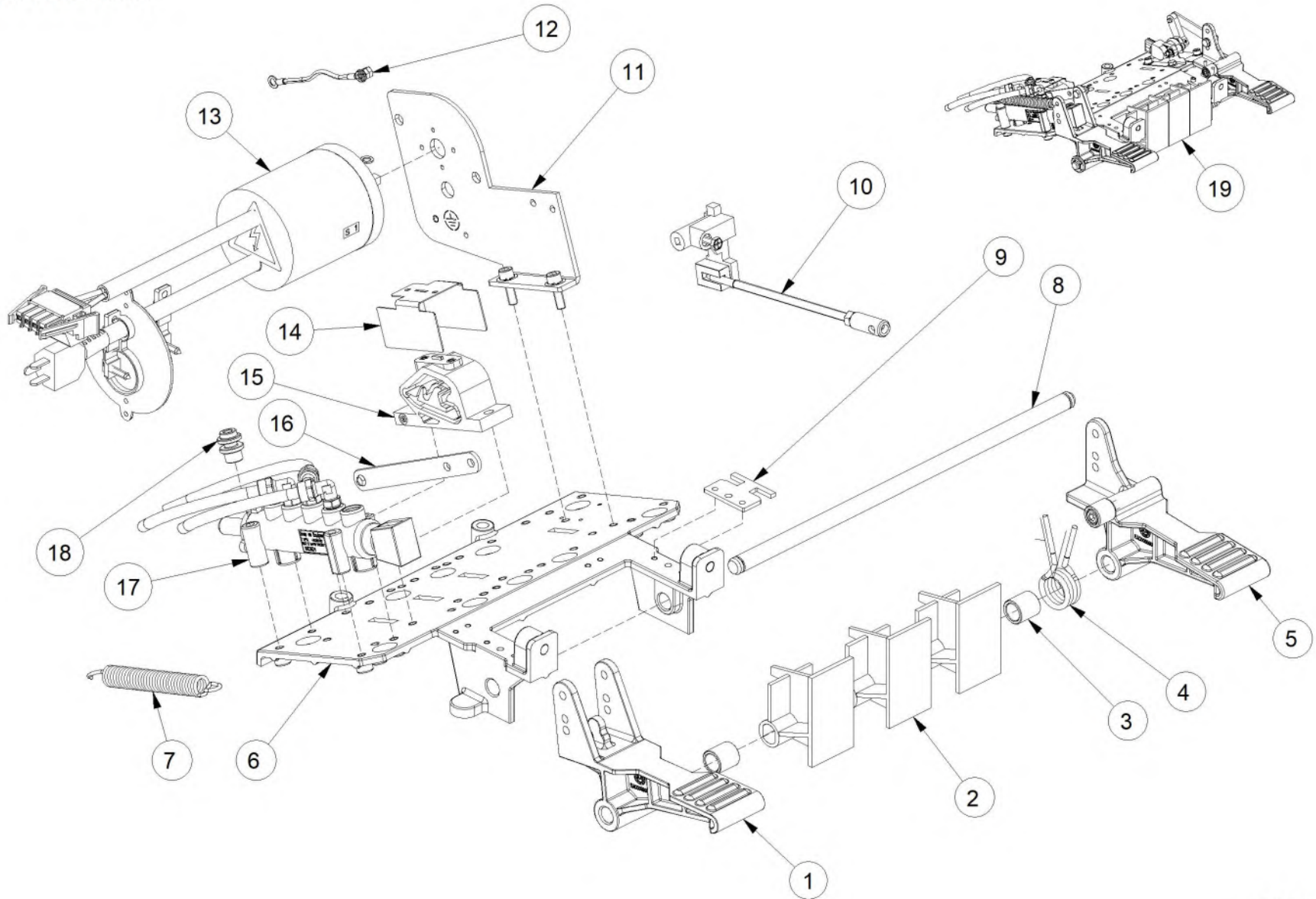
Pos	Code	Designation	Désignation	Designaciòn	N.	Note	Nota	A	B	C
18	EAC0099G82A	SPRING FIXING PAWL	CLIQUET RACCORD RESSORT	GARRA DE ENGANCHE MUELLE	1			X		
19	EAA0471G42A	FOOT PEDAL ASM 2 PEDALS	JEU PEDAL 2 PEDALS	JUEGO PEDAL 2 PEDALS	1				X	

**A** = available - disponible - disponible

**B** = on request - sur demande - a petición

**C** = suggested - suggeré - sugerido

EAZ0132G97A.A



10/2018

Pos	Code	Designation	Désignation	Designación	N.	Note	Nota	A	B	C
1	EAM0068G95A	STANDARD PEDAL - MACHINED	PEDAL STD.	PEDAL STD	1			X		
2	EAC0096G11A	SPACER-PEDAL	ENTRETOISE PÉDALES	DISTANCIADOR PEDALES	3			X		
3	EAM0048G79A	BUSHING, CENTERING- SPRING	COQUILLE SIEGE RESSORT	CASQUILLO CENTRADO MUELLE	2			X		
4	EAM0048G78A	SPRING, PEDAL SWITCH	RESSORT, PEDAL INTERRUPTEUR	MUELLE PEDAL INTERRUPTOR	1			X		X
5	EAA0536G27A	RIGHT SWITCH FOOT PEDAL	PEDALE INTERRUPTEUR DROIT	PEDAL INTERRUPTOR DER.	1				X	
6	EAM0068G80A	PEDAL ASM SUPPORT - MACHINED	SUPPORT JEU PÉDALES - USINÉ	SOPORTE JUEGO DE PEDALES-MECANIZADO	1				X	
7	EAM0147G64A	SPRING RECALL PEDALS	RESSORT RETOUR PEDALES	MUELLE DE RETORNO PEDALES	2			X		
8	EAM0068G10A	SHAFT-HINGE, PEDAL	PIVOT PEDALES	EJE PEDALES	1			X		
9	EAM0070G32A	COMMUTATOR SPRING GUIDE	GUIDE RESSORT INVERSEUR	GUÍ MUELLE INVERTIDOR	1			X		
10	EAA0347G61A	ROD, REGISTER-REVERSING GEAR	BIELLE COMMANDE INVERSEUR	BIELA COMANDO INVERSOR	1			X		
11	EAA0394G63A	1S SWITCH SUPPORT ASM	SUPPORT INTERRUPTEUR 1S D	GRUPO SOPORTE INTERRUPTOR 1S DX	1	RIGHT			X	
12	EAK0279G40A	NUTS/BOLTS FOR SWITCH	KIT VIS FIXATION INVERSEUR	KIT TORNILLOS CONEXIÓN INTERRUPTOR	1			X		
13	EAA0394G36A	1 PHASE SWITCH-CABLE ASSY. DX US	GR. CABLE INVERSEUR MONOPHASE US DRO	GR. CABLE-INVERSOR MONOFASE US DERECH	1	RIGHT		X		
14	EAS2115G09A	PROTECTION SHEET FOR CAM	TOLE PROTECTION CAME	CHAPA PROTECCIÓN EXCÉNTRICO	1				X	
15	EAC0099G29A	CAM FOR PEDAL B	CAME PEDALE	LEVA PEDAL	1			X		
16	EAS2111G73A	ROD POSITIONER PEDAL	BIELLE POSITIONNEMENT PEDALE	BIELA DE POSICIONAMIENTO PEDAL	1			X		X
17	EAA0440G88A	TURNTABLE PEDAL HOSES + VALVE	TUYAUX PEDALE PLATEAU TOURNANT + VANI	CONJ.TUBOS Y VÁLVULA PEDAL AUTOCENTR.	1			X		

**A** = available - disponible - disponible

**B** = on request - sur demande - a petición

**C** = suggested - suggeré - sugerido

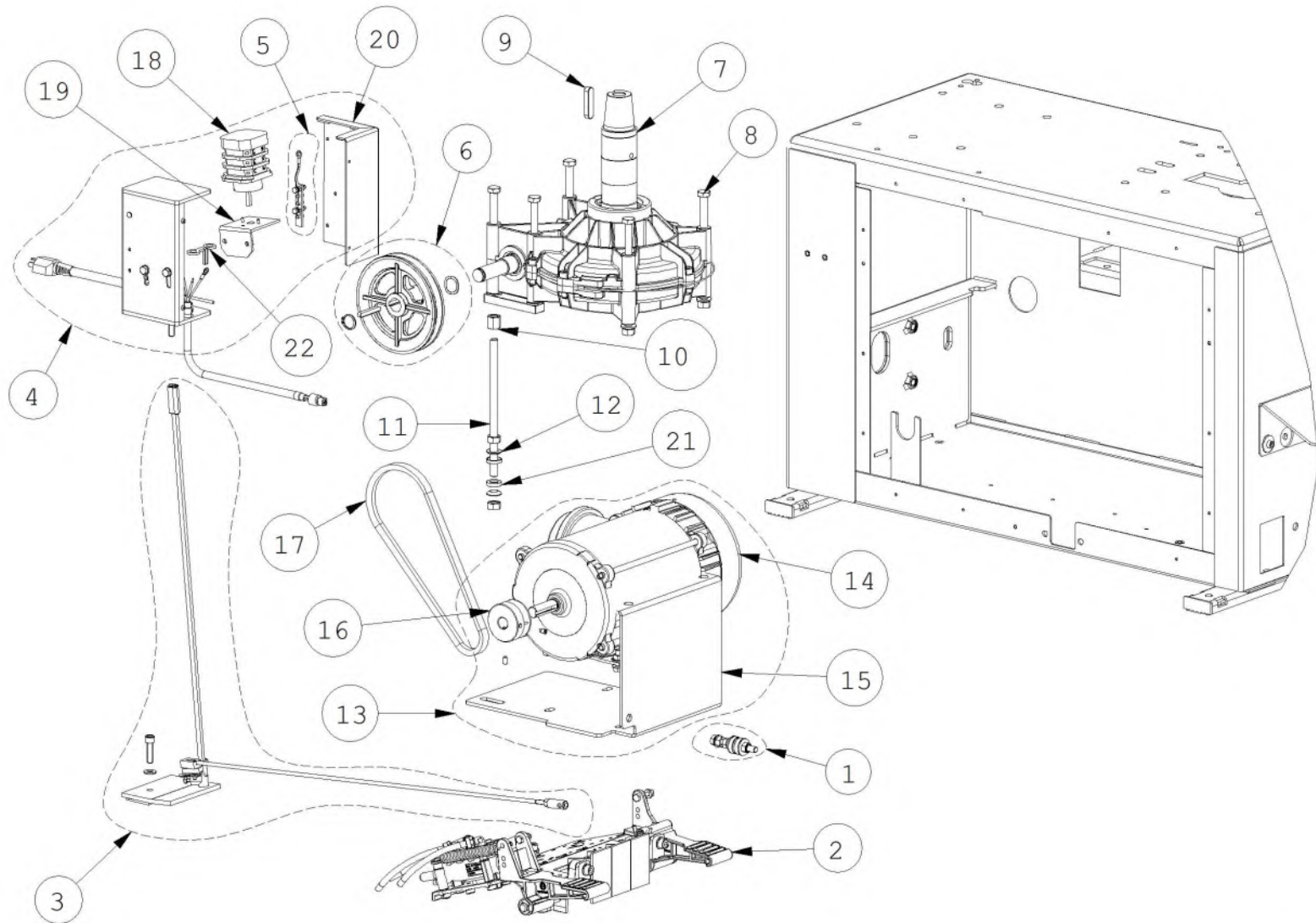
Pos	Code	Designation	Désignation	Designaciòn	N.	Note	Nota	A	B	C
18	EAC0099G82A	SPRING FIXING PAWL	CLIQUET RACCORD RESSORT	GARRA DE ENGANCHE MUELLE	1			X		
19	EAA0489G60A	FOOT PEDAL ASM 2P 1PH US 115V	JEU PEDAL 2 PEDALS 1PH US 115V	JUEGO DE PEDALES 2P 1PH 115V US	1			X		

**A** = available - disponible - disponible

**B** = on request - sur demande - a petición

**C** = suggested - suggeré - sugerido

EAZ0138G19A.C



10/2021

Pos	Code	Designation	Désignation	Designación	N.	Note	Nota	A	B	C
1	EAK0279G66A	BELT TIGHTENER KIT	KIT TENDEUR-COURROIE	KIT TENSOR DE CORREA	1			X		
2	EAA0523G23A	FOOT PED. ASM 2P 1PH 115V	JEU PEDAL 2 PEDALS 1PH 115V	JUEGO DE PEDALES ASM 2P 1PH 115V	1	1PH 115V CSA		X		
3	EAA0523G22A	GROUP, CSA SWITCH TRANSMISSION	JEU INVERSEUR TRANSMISSION	GRUPO INVERSOR TRANSMISSION	1	CSA			X	
4	EAA0523G06A	CSA INVERTER BOX ASSY	ENSEMBLE BOITE CONVERTISSEUR	GRUPO CAJA INVERSOR	1				X	
5	EAK0279G40A	NUTS/BOLTS FOR SWITCH	KIT VIS FIXATION INVERSEUR	KIT TORNILLOS CONEXIÓN INTERRUPTOR	1			X		
6	EAK0341G09A	REDUCTION UNIT PULLEY KIT	KIT POULIE REDUCTEUR	KIT POLEA REDUCTOR	1			X		
7	EAA0457G27A	GEARBOX	REDUCTEUR	REDUCTOR	1			X		
8	EAK0306G75A	SCREWS KIT FOR GEARBOX	KIT VIS REDUCTEUR	KIT TORNILLOS REDUCTOR	1				x	
9	1-1572	KEY-10x8x45	LANGUETTE	LENGUETA	1			X		
10	EAM0192G21A	COUPLING, CONNECTION-M10	MANCHON RACCORD M10	CASQUILLO CONEXIÓN M10	1				X	
11	EAM0192G20A	TENSION ROD- FITTING, PLATE	TIRANT FIXAJE TOLE	TIRANTE FIJACIÓN CHAPA	1				X	
12	1-41241A	SPHERICAL WASHER	RONDELLE SPHERIC	ARANDELA ESFERICA	2	DIN 6319-C			X	
13	EAA0523G16A	1PH 115V MOTOR ASSY	GROUPE MOTEUR	GRUPO MOTOR	1				X	
14	2-97266A	MOTOR 1PH 115V-60HZ-1HP HAZLOC	MOTEUR	MOTOR	1				X	
15	EAS2238G35A	MOTOR SUPPORT	SUPPORT MOTEUR	SOPORTE MOTOR	1				X	
16	EAM0154G58A	PULLEY DP=2"HOLE D.5/8"	POULIE MOTEUR DP=2"- ORIF.D.5/8"	POLEA MOTOR DP=2"- ORIF. D.5/8"	1				X	
17	EAC0103G74A	V BELT, A-25	COURROIE A-25	CORREA A-25	1				X	x

**A** = available - disponible - disponible

**B** = on request - sur demande - a petición

**C** = suggested - suggeré - sugerido

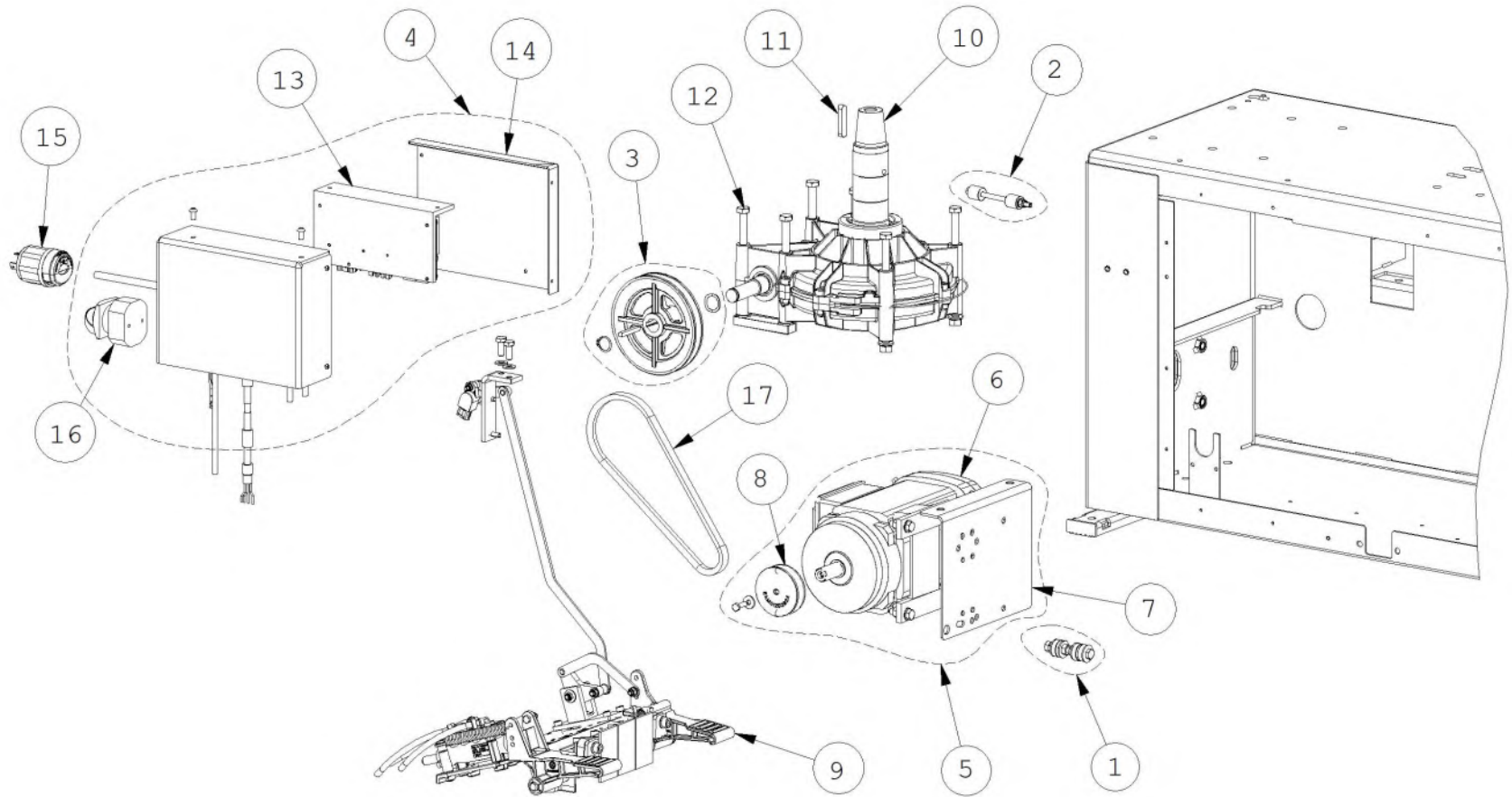
Pos	Code	Designation	Désignation	Designación	N.	Note	Nota	A	B	C
18	2-16759A	ONE PHASE ROTARY SWITCH	INVERSEUR ROTATIF 1 PHASE	INVERSOR ROTATORIO MONOFÁSICO	1			X		
19	EAS2126G72A	SUPPORT REVERS.GEAR	SUPPORT INVERSEUR	SOPORTE INVERSOR	1				X	
20	EAA0524G19A	SWITCH BOX COVER	CARTER FERMETURE BOITE	CHAPA DE CIERRE CAJA	1				X	
21	1-41341A	CONICAL WASHER	RONDELLE CONIQUE	ARANDELA CÓNICA	2		DIN 6319-D		X	
22	EAS2239G99A	FLAT PLUG	CONNECTEUR PLAT	CONECTOR PLATO	1				X	

**A** = available - disponible - disponible

**B** = on request - sur demande - a petición

**C** = suggested - sugeré - sugerido

EAZ0138G20A.C



08/2023

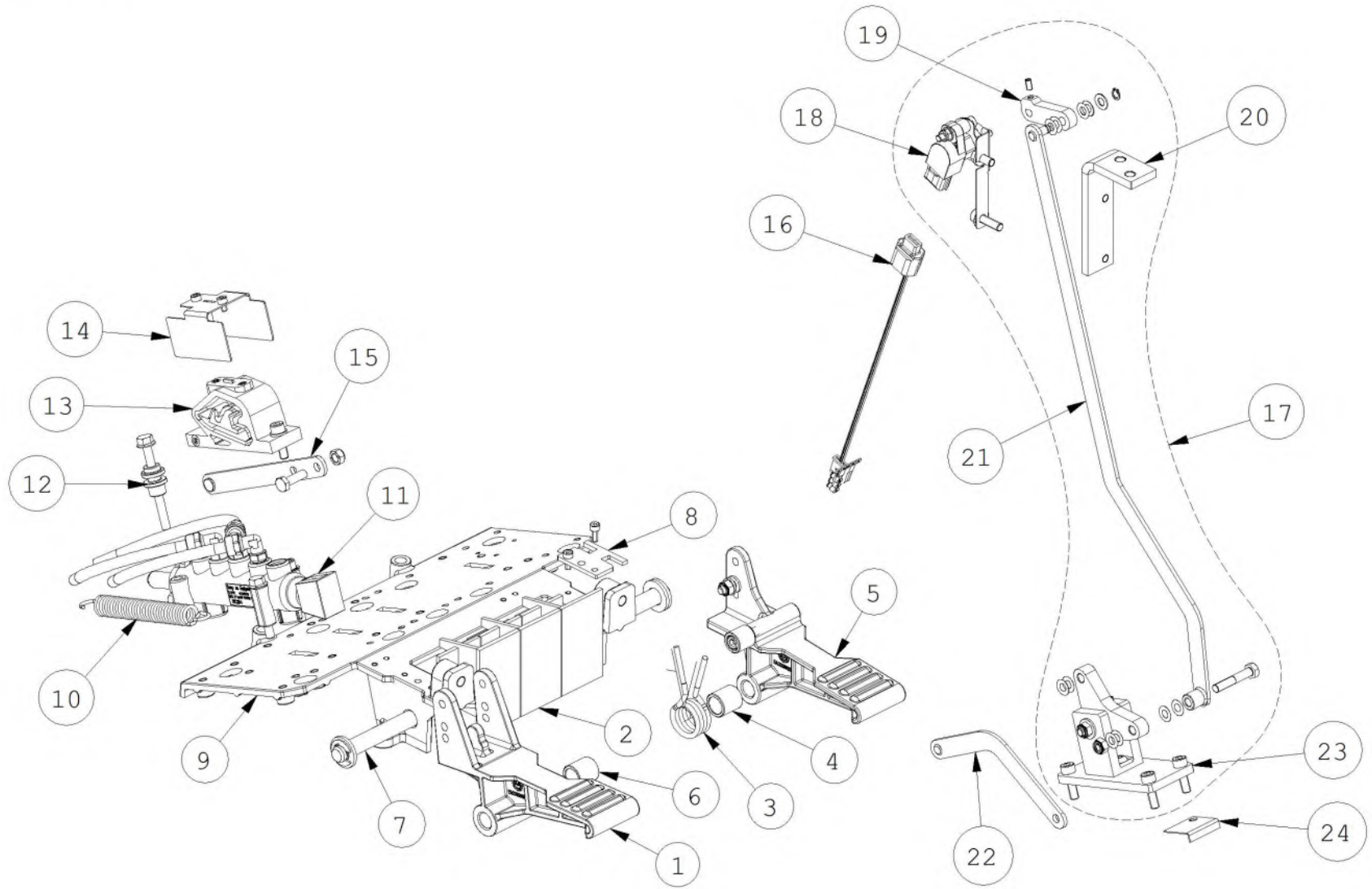
Pos	Code	Designation	Désignation	Designación	N.	Note	Nota	A	B	C
1	EAK0279G66A	BELT TIGHTENER KIT	KIT TENDEUR-COURROIE	KIT TENSOR DE CORREA	1			X		
2	EAK0279G67A	ANTIROTATION KIT	KIT ANTIROTATION	KIT ANTIRROTACIÓN	1			X		
3	EAK0341G09A	REDUCTION UNIT PULLEY KIT	KIT POULIE REDUCTEUR	KIT POLEA REDUCTOR	1			X		
4	EAA0523G10A	CSA INVERTER BOX ASSY	ENSEMBLE BOITE CONVERTISSEUR	GRUPO CAJA INVERSOR	1	CSA			x	
5	EAA0523G08A	MOTOR ASSY	GROUPE MOTEUR	GRUPO MOTOR	1	CSA - Sew			x	
6	2-97366A	MOTOR 3PH 60HZ	MOTEUR 3PH 60HZ	MOTOR 3F 60HZ	1	CSA HAZLOC			x	
7	EAS2131G28A	MOTOR SUPPORT	SUPPORT MOTEUR	SOPORTE MOTOR	1			X		
8	EAM0125G93A	PULLEY,1 GROOVE 60Hz,MACHINED	POULIE, 1 RAINURE 60Hz, USINEES	POLEA,1 GARGANTA, 60Hz,TRABAJADOS	1	230V			X	
9	EAA0524G09A	PEDAL UNIT - 2P, REMOTE POTENT.	JEU PEDAL 2 PEDALS + POTENTIOMETRE	JUEGO DE PEDALES 2P + POTENCIÓMETRO	1	CSA		X		
10	EAA0457G27A	GEARBOX	REDUCTEUR	REDUCTOR	1			X		
11	1-1572	KEY-10x8x45	LANGUETTE	LENGUETA	1			x		
12	EAK0306G75A	SCREWS KIT FOR GEARBOX	KIT VIS REDUCTEUR	KIT TORNILLOS REDUCTOR	1				x	
13	EAA0481G15A	INVERTER FOR ENHANCED POTENTIOMETEF	ONDULEUR POTENTIOMÈTRE ÉVOLUÉ	INVERTER POTENCIÓMETRO EVOLUCIONADC	1			x		
14	EAA0524G20A	INVERTER BOX COVER	CARTER FERMETURE BOITE	CHAPA DE CIERRE CAJA	1			x		
15	2-28647A	1 PHASE LOCKING PLUG 250V 20A	GOUPILLE MONOPHASE AMERIQUE DU NORI	PASADOR MONOFASE NA	1				x	
16	2-14861A	BIPOLAR POWER SWITCH	INTERRUPTEUR BIPOLAIRE 25A	INTERRUPTOR BIPOLAR 25A	1			x		
17	EAC0099G95A	BELT, A27	COURROIE A27	CORREA A27	1			x		X

**A** = available - disponible - disponible

**B** = on request - sur demande - a petición

**C** = suggested - suggeré - sugerido

EAZ0138G21A



03/2021

Pos	Code	Designation	Désignation	Designación	N.	Note	Nota	A	B	C
1	EAM0068G95A	STANDARD PEDAL - MACHINED	PEDAL STD.	PEDAL STD	1			X		
2	EAC0096G11A	SPACER-PEDAL	ENTRETOISE PÉDALES	DISTANCIADOR PEDALES	3			X		
3	EAM0048G78A	SPRING, PEDAL SWITCH	RESSORT, PEDAL INTERRUPTEUR	MUELLE PEDAL INTERRUPTOR	1			X		x
3	EAM0075G56A	SPRING, PEDAL SWITCH 2SPEED	RESSORT INTERRUPTEUR PÉDALE 2SP	MUELLE PEDAL INTERRUPTOR 2SP	1			X		x
4	EAM0048G79A	BUSHING, CENTERING- SPRING	COQUILLE SIEGE RESSORT	CASQUILLO CENTRADO MUELLE	1			X		
5	EAA0356G92A	RIGHT SWITCH FOOT PEDAL	PEDALE INTERRUPTEUR DROIT	PEDAL INTERRUPTOR DER.	1				X	
6	EAM0048G79A	BUSHING, CENTERING- SPRING	COQUILLE SIEGE RESSORT	CASQUILLO CENTRADO MUELLE	1			X		
7	EAM0068G10A	SHAFT-HINGE, PEDAL	PIVOT PEDALES	EJE PEDALES	1			X		
8	EAM0070G32A	COMMUTATOR SPRING GUIDE	GUIDE RESSORT INVERSEUR	GUÍ MUELLE INVERTIDOR	1			X		
9	EAM0068G80A	PEDAL ASM SUPPORT - MACHINED	SUPPORT JEU PÉDALES - USINÉ	SOPORTE JUEGO DE PEDALES-MECANIZADO	1				X	
9	EAM0068G80A	PEDAL ASM SUPPORT - MACHINED	SUPPORT JEU PÉDALES - USINÉ	SOPORTE JUEGO DE PEDALES-MECANIZADO	1				X	
10	EAM0147G64A	SPRING RECALL PEDALS	RESSORT RETOUR PEDALES	MUELLE DE RETORNO PEDALES	1			X		
11	EAA0440G88A	TURNTABLE PEDAL HOSES + VALVE	TUYAUX PEDALE PLATEAU TOURNANT + VANI	CONJ.TUBOS Y VÁLVULA PEDAL AUTOCENTR	1			X		
12	EAC0099G82A	SPRING FIXING PAWL	CLIQUET RACCORD RESSORT	GARRA DE ENGANCHE MUELLE	1			X		
13	EAC0103G56A	CAM FOR PEDAL	CAME PEDALE	LEVA PEDAL	1			X		
14	EAS2115G09A	PROTECTION SHEET FOR CAM	TOLE PROTECTION CAME	CHAPA PROTECCIÓN EXCÉNTRICO	1				X	
15	EAS2111G73A	ROD POSITIONER PEDAL	BIELLE POSITIONNEMENT PEDALE	BIELA DE POSICIONAMIENTO PEDAL	1			X		X

**A** = available - disponible - disponible

**B** = on request - sur demande - a petición

**C** = suggested - suggeré - sugerido

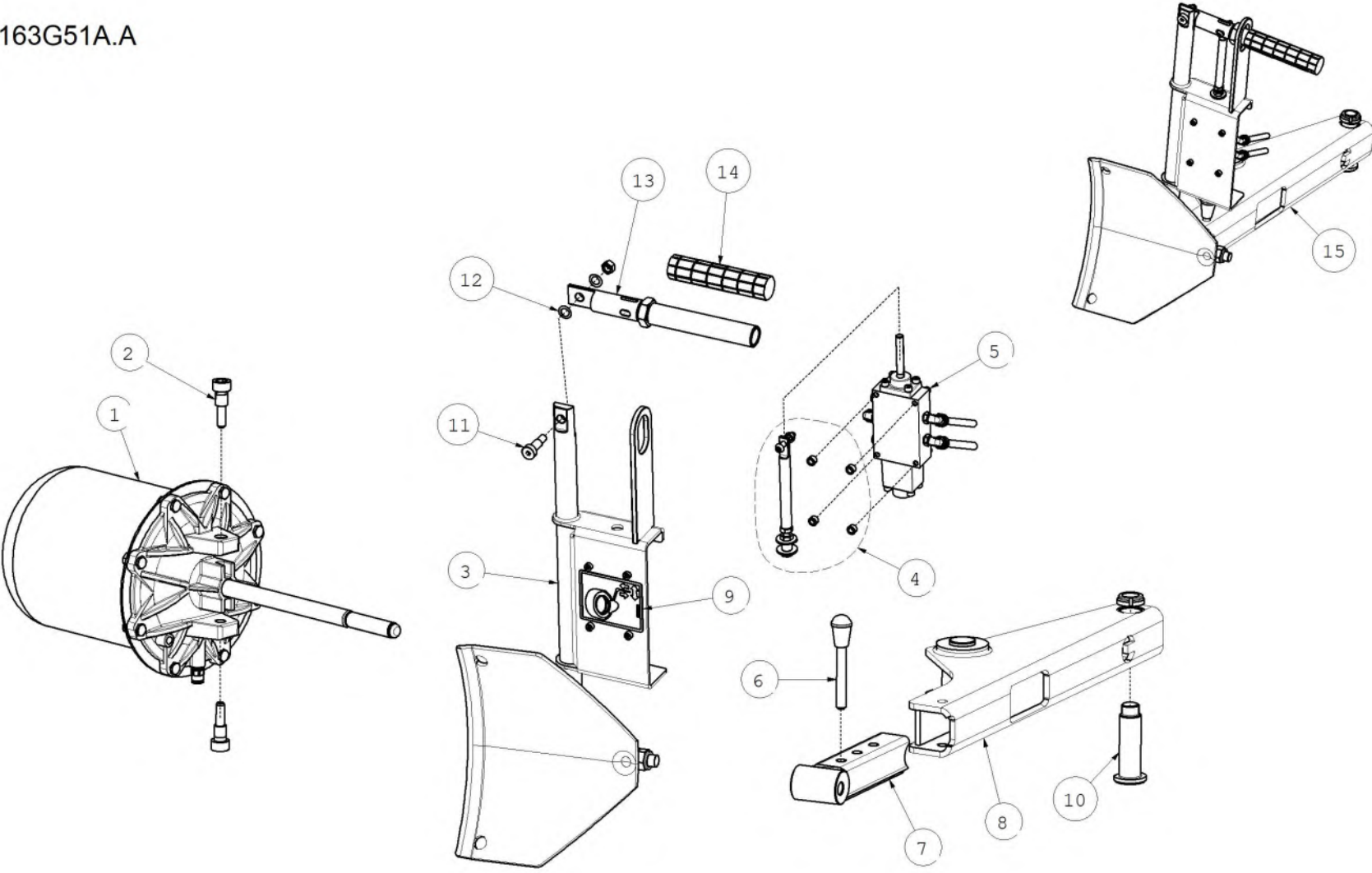
Pos	Code	Designation	Désignation	Designaciòn	N.	Note	Nota	A	B	C
16	EAW0286G08A	CABLE FOR CTS POTENTIOMETER	CABLE POUR POTENTIOMETRE CTS	CABLE POTENCIÓMETRO CTS	1			X		
17	EAA0524G08A	ASSY, REMOTE POTENTIOMETER	GROUPE POTENTIOMETRE	GRUPO POTENCIÓMETRO	1	230V			X	
18	EAA0425G42A	PEDAL CABLE WITH POTENTIOMETER	CABLE PEDALIER AVEC POTENTIOMETRE	CABLE PEDALERA CON POTENCIÓMETRO	1				X	
19	EAC0115G55A	POTENTIOMETER ROD	BIELLE POTENTIOMETRE	BIELA POTENCIÓMETRO	1			X		
20	EAM0192G58A	POTENTIOMETER SUPPORT	SUPPORT POTENTIOMETRE	SOPORTE POTENCIÓMETRO	1				X	
21	EAS2238G21A	SUPPORT FOR PEDAL UNIT	SUPPORT GROUPE PEDALES	SOPORTE GRUPO PEDALES,	1				X	
22	EAS2238G73A	FOOT PEDAL CONNECTING ROD	BIELLE PEDALE	BARRA PEDAL	1				X	
23	EAA0523G48A	SUPPORT	SUPPORT	SOPORTE	1				X	
24	EAS2140G74A	END STROKE FOR PEDAL	FIN DE COURSE PEDAL	FINAL CARRERA PEDAL	1				X	

**A** = available - disponible - disponible

**B** = on request - sur demande - a petición

**C** = suggested - suggeré - sugerido

EAZ0163G51A.A



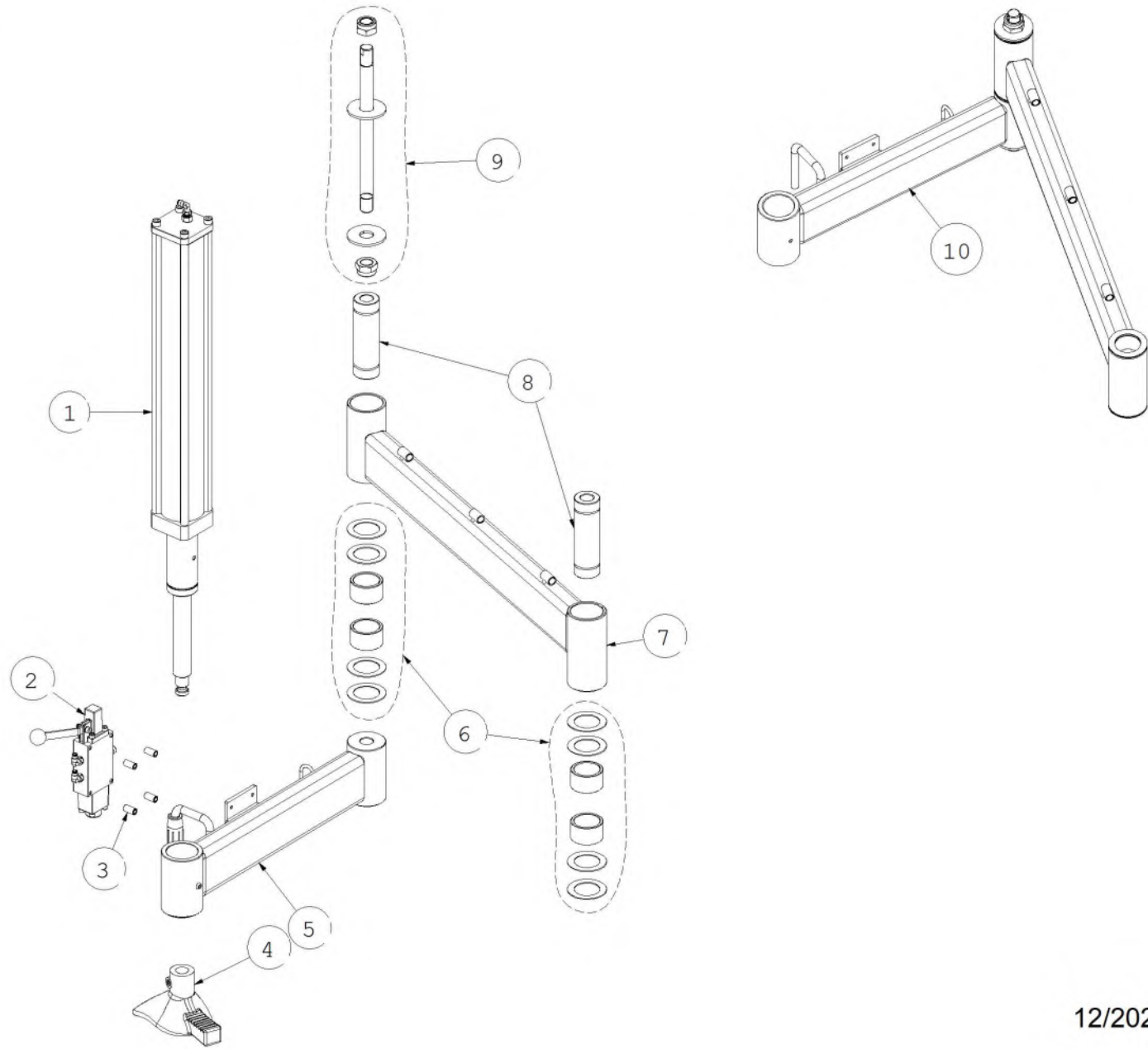
Pos	Code	Designation	Désignation	Designación	N.	Note	Nota	A	B	C
1	EAA0556G48A	CYLINDER, BEAD BREAKER	VERIN DETALONNEUR	CILINDRO DESTALONADOR	1			X		X
2	EAM0067G34A	BEAD BREAKER CYLINDER FITTING SCREW	FIS FIXATION VERIN DETALONNEUR	TORNILLO FIJACIÓN CIL.DESTALON.	2			X		
3	EAK0390G44A	KIT BLADE AND HANDLE	PALETTE + POIGNEE	PALETA + MANILLA	1				X	
4	EAK0390G45A	FIXING KIT BEAD BREAKER VALVE	KIT FIXATION VANNE DETALONNEUR	KIT FIJACIÓN VÁLVULA DESTALONADOR	1				X	
5	EAA0537G62A	BEAD BREAKER VALVE	VANNE DETALONNEUR	VÁLVULA DESTALONADOR	1			X		X
6	EAA0328G72A	PIN - LOCK	GOUPILLE DE REGLAGE	ESPINA DE REGLAJE	1			X		
7	EAS2169G69A	EXTENSION FOR B/BREAKER ARM	RALLONGE BRAS DETALONNEUR	ALARGADOR BRAZO DESTALONADOR	1			X		
8	EAS2196G59A	ARM SUPPORT BEAD BREAKER	SUPPORT BRAS DETALONNEUR	SOPORTE BRAZO DESTALONADOR R9005	1			X		
9	EAL0462G95A	BEAD BREAKER LABEL	ETIQUETTE DETALONNEUR	PLACA DESTALONADOR	1				X	
10	EAM0086G16A	FULCRUM-PIN BEAD-BREAKER	AXE PIVOT DETALONNEUR	PERNO PIVOTE DESTALONADOR	1			X		
11	1-05711A	SCREW UNI-ISO 7379	VIS	TORNILLO	1	UNI-ISO 7379			X	
12	1-29441A	WASHER	RONDELLE	ARANDELA	2	10.2x16x0.25 DIN 988			X	
13	EAA0537G63A	ASSEMBLED HANDLE	GROUPE POIGNEE	GRUPO MANILLA	1				X	
14	8-10633A	HANDGRIP, PULL HANDLE	POIGNEE EN GOMME	POMO DE GOMA	1				X	
15	EAA0537G60A	BEAD BREAKER ARM WITH VALVE	BRAS DETALONNEUR + VANNE	BRAZO DESTALONADOR + VÁLVULA	1				X	

**A** = available - disponible - disponible

**B** = on request - sur demande - a petición

**C** = suggested - sugeré - sugerido

EAZ0163G52A.A



12/2023

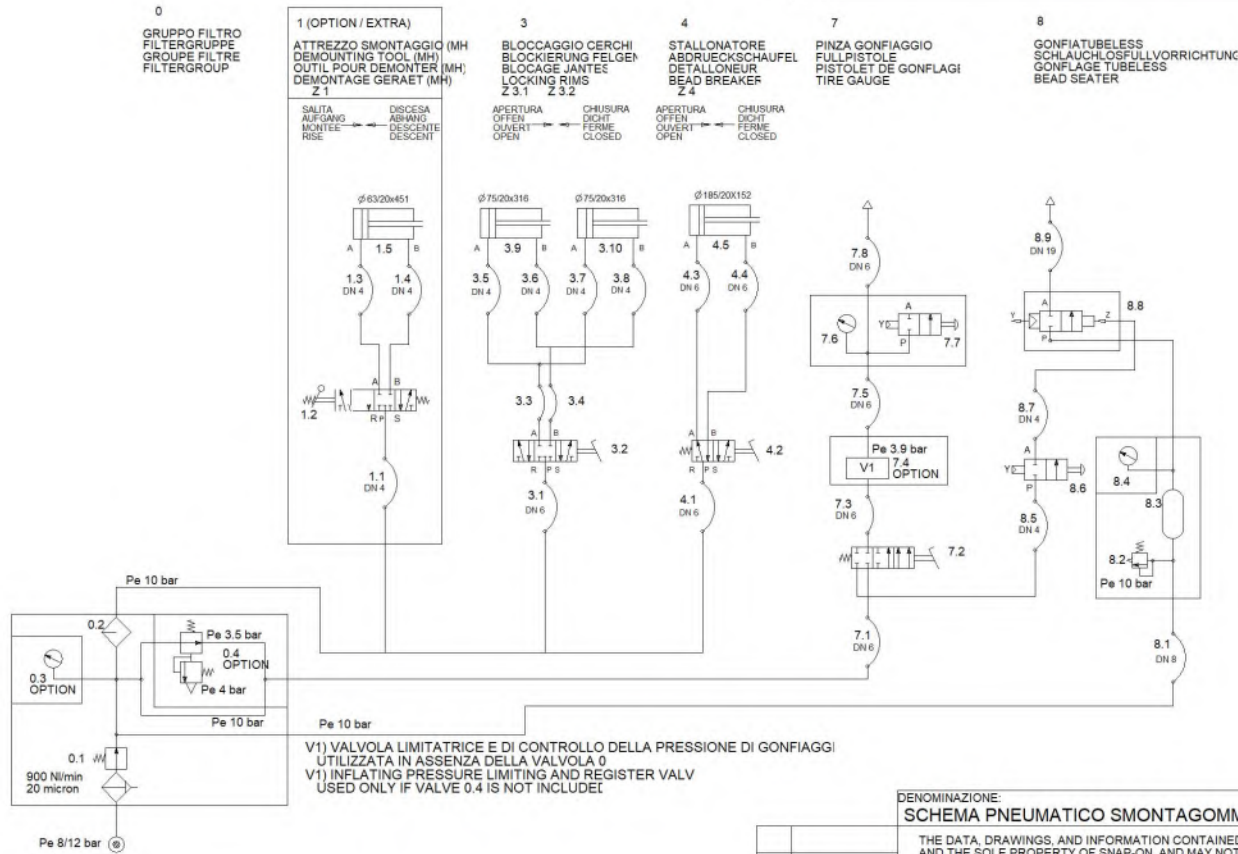
Pos	Code	Designation	Désignation	Designación	N.	Note	Nota	A	B	C
1	EAA0471G32A	CYLINDER FOR MH, SWING TC	VERIN POUR PRESSE TALON, EQUILIBRAGE T	CILINDRO PARA PRESIONATALÓN, SWING TC	1			X		x
2	EAA0537G64A	VALVE FOR BEAD ASSIST	SOUPAPE PRESSE-TALON	VÁLVULA APRIETA-TALÓN	1			X		X
3	EAM0153G95A	SPACER	ENTRETOISE	SEPARADOR	4				X	
4	EAC0113G76A	BEAD PUSHER TOOL	OUTIL PRESSE-BOURRELET	HERRAMIENTA EMPUJE TALÓN	1				X	
5	EAA0537G08A	ARM, PNEUMATIC BEAD ASSIST	BRAS PRESSE-TALON	BRAZO PRESIONATALÓN	1	RAL 9005			X	
6	EAK0390G46A	BUSHINGS AND WASHERS KIT	KIT BAGUES ET RONDELLES	KIT NIVELADORES Y COJINETES	2				X	
7	EAA0556G55A	JOINT ARM	BRAS D'ARTICULATION	BRAZO DE ARTICULACIÓN	1				X	
8	EAM0210G37A	BUSHING	DOUILLE	CASQUILLO	2				X	
9	EAK0390G47A	FULCRUM KIT FOR MH DEVICE	KIT PIVOT POUR DISPOSITIF MH	KIT PIVOTE DISPOSITIVO MH	1				X	
10	EAA0535G57A	ASSEMBLED PBA ARMS	BRAS ASSEMBLÉS	BRAZOS PREMONTADOS	1	ASSEMBLED			X	

**A** = available - disponible - disponible

**B** = on request - sur demande - a petición

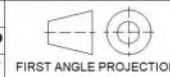
**C** = suggested - suggeré - sugerido

REV	CHANGES - MODIFICHE	DATE	NAME
A	Rilascio per produzione Release for manufacturing	2018 Oct 02	M. Neri



DENOMINAZIONE: <b>SCHEMA PNEUMATICO SMONTAGOMME SWING</b>		FAMIGLIA: <b>TEEWH003S</b>	COD. GS: <b>TEEWH003S</b>
THE DATA, DRAWINGS, AND INFORMATION CONTAINED IN THIS DOCUMENT IS CONFIDENTIAL AND THE SOLE PROPERTY OF SNAP-ON, AND MAY NOT BE REPRODUCED, USED, OR DISCLOSED WITHOUT WRITTEN PERMISSION OF AN OFFICER OF SNAP-ON.			
UNLESS OTHERWISE SPECIFIED DIMENSIONS ARE IN MILLIMETERS GENERAL TOLERANCES		MATERIAL	
LASER CUT ISO 2768-mk MACHINING ISO 2768-mk BENDING ISO 2768-mk WELDING ISO 13920-AE PLASTIC (MOULD) DIN 16901 PLASTIC (ROTO) ± 1% CASTING ISO 8062-3 G8 MICRO-CASTING VDG-P690 D2		CORREGGIO, ITALY	
FINISH -		SCALE 1,000	
PROJ NO		2018 May 25	
DR M. Neri		2018 May 25	
CK M. Mariani		2018 May 25	
APP P. Sotgiu		2018 May 25	
QUALITY DOC N/A		RELEASE	
SUPERCEDES N/A		REV A	
A 18G0321 1 18G058P		TEEWH003S SHEET 1 OF 1	

REV	PCN HISTORY
-----	-------------



A3  
PROJ  
1:1

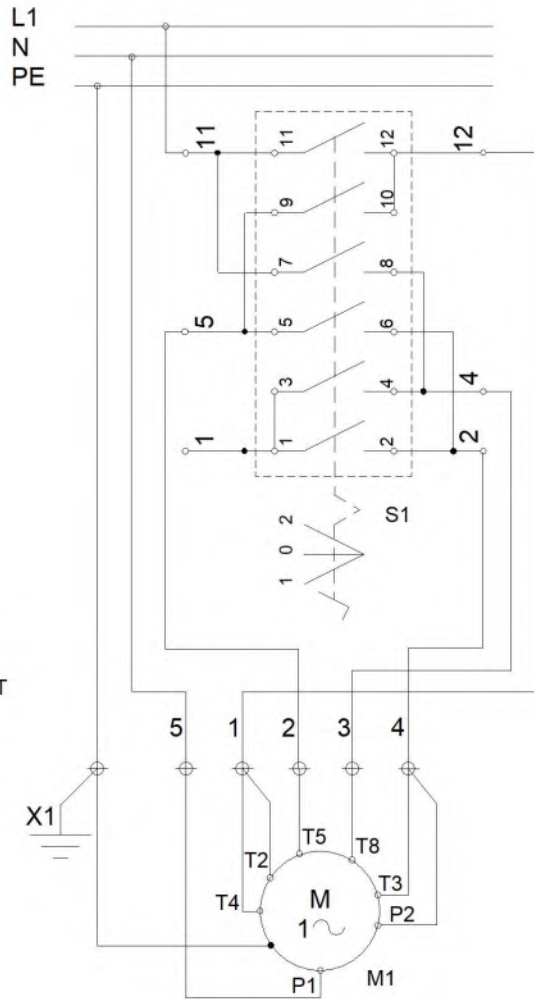


REV	CHANGES - MODIFICHE	DATE	NAME
A	Production release.	2020.11.24	F. Cagnolati
B	Changed motor connection to 5 wires.	2021.02.17	F. Cagnolati

3	11-12	X	X	
	9-10		X	
2	7-8	X		
	5-6	X		
1	3-4		X	
	1-2	X	X	
		1	0	2

SWITCHING TABLE  
TABELLA COMMUTAZIONI

S1 INVERTITORE ROTARY SWITCH  
M1 MOTORE MOTOR  
X1 MESSA A TERRA GROUNDING POINT



NIDEC MOTOR

DENOMINAZIONE: SCHEMA ELETTRICO MOTORE MONOFASE 115V      FAMIGLIA:      COD. GS: TEEWH784AWD

UNLESS OTHERWISE SPECIFIED  
DIMENSIONS ARE IN MILLIMETERS  
GENERAL TOLERANCES  
OVER 0.5 TO 6.0 ± 0.1  
OVER 6.0 TO 30 ± 0.2  
OVER 30 TO 120 ± 0.3  
OVER 120 TO UP ± 0.5  
ANGULAR ± 1°  
HOLES ± 0.1  
SHEET METAL ± 0.5  
SURFACE: ISO 1302

MATERIAL  
ALL MATERIALS MUST COMPLY WITH RoHS,  
REACH, CA PROP 65, AND CONFLICT MINERALS.

FINISH  
PROJ NO  
DR F. Cagnolati 2020.11.24  
CK

*Snap-on*

CORREGGIO, ITALY

1 PHASE MOTOR 115V  
ELECTRIC DIAGRAM

B	21G0021		A4	APP	RELEASE	REV B
A	20G0232		DWG	QUALITY DOC	TEEWH784AWD	
REV	PCN HISTORY	FIRST ANGLE PROJECTION	DWG	SUPERCEDES	SHEET 1 OF 1	



**Notice:** The information contained in this document is subject to change without notice. **Snap-on Equipment** makes no warranty with regard to present documentation. **Snap-on Equipment** shall not be liable for errors contained herein or for incidental consequential damages in connection with furnishings, performance, or use of this material.

**Attention:** Les informations figurant dans le présent document peuvent faire l'objet de modifications sans préavis. **Snap-on** ne délivre aucune garantie sur le présent matériel. **Snap-on** décline toute responsabilité des erreurs que ces matériaux de documentation pourraient contenir et en cas de dommages accidentels ou indirects dérivant de leur fourniture, de leur interprétation et de leur utilisation.

**Nota:** La información aquí contenida está sujeta a cambios sin aviso. **Snap-on** no ofrece ninguna garantía sobre esta documentación. **Snap-on** no podrá ser considerado responsable por errores contenidos en esta publicación ni por daños consecuenciales incidentales en relación con el equipamiento, rendimiento o uso de este material.

---

• Manufacturing Facilities • Sites de production • Instalaciones de fabricación •

**Snap-on Equipment SrL · Via Per Carpi 33 - 42015 Correggio RE - Italy**  
**Snap-on Equipment · 309 Exchange Avenue Conway, Arkansas 72032**

• Technical alterations reserved - Refer to the data plates for effective manufacturing location • Modifications techniques réservées - Consulter les plaques signalétiques pour connaître le lieu de fabrication • Modificaciones técnicas reservadas – Consultar las placas de datos para la ubicación efectiva de la fabricación •