

ATC 970/980

Spare Parts

Pieces de rechange

Tabla de repuestos

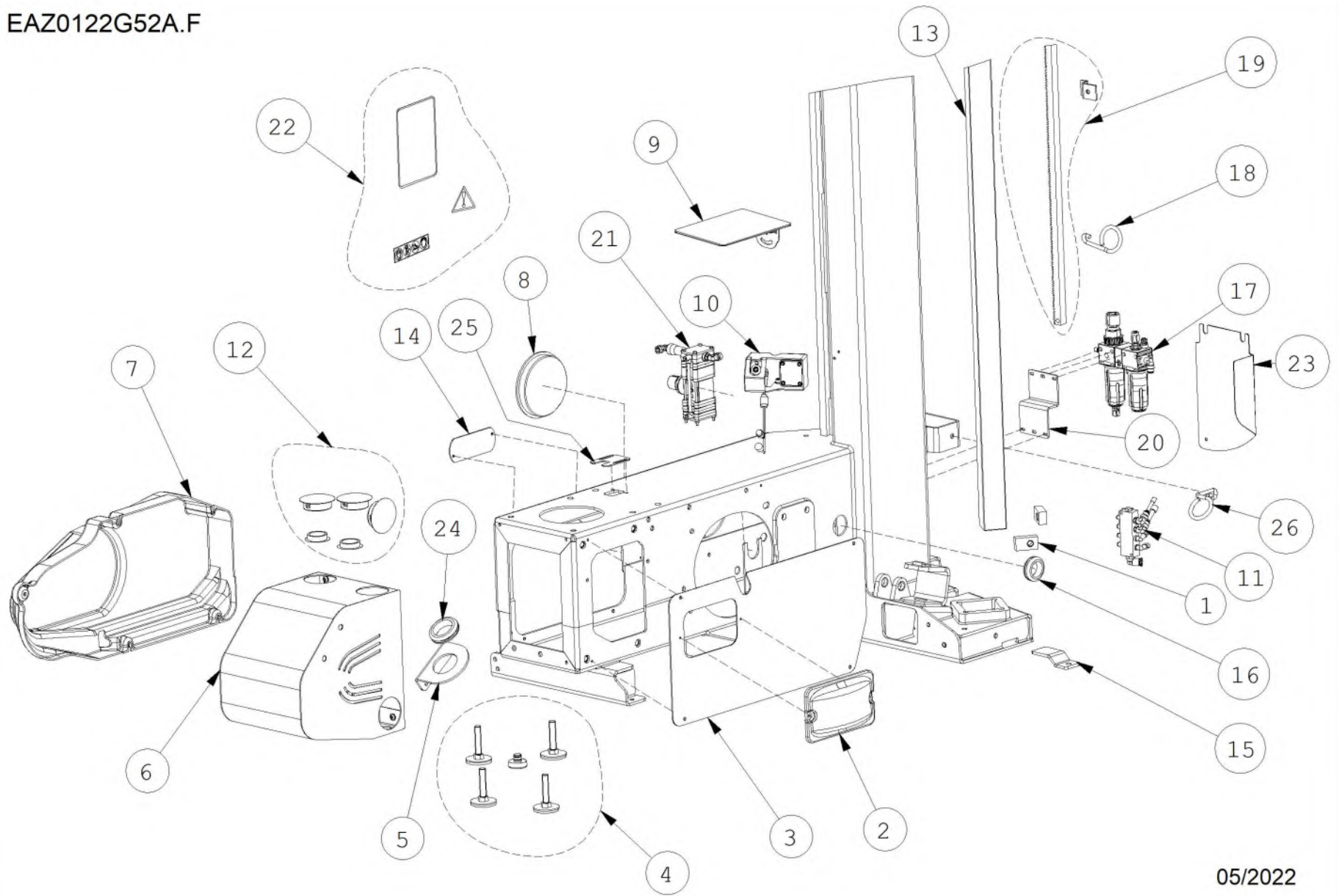


INDEX		Page
EAZ0122G52A_F	CABINET - NO ON FLOOR BB	4
EAZ0122G54A_G	CABINET	7
EAZ0122G59A_B3	TOOL CARRIAGE	10
EAZ0122G76A_A3	TRANSMISSION UNIT	13
EAZ0137G95A_A	PEDAL UNIT	15
EAZ0137G96A_A	PEDAL UNIT - NO ON FLOOR BB	18
EAZ0138G16A_A	PEDAL UNIT CSA	21
EAZ0138G17A_A	PEDAL UNIT CSA WITH BEAD BREAKER	24
EAZ0138G09A_C	CONTROL PANEL	27
EAZ0122G61A_C	UPPER BEAD BREAKER CARRIAGE	30
EAZ0122G60A_D	LOWER BEAD BREAKER	33
EAZ0122G57A_A	ON FLOOR BEAD BREAKER DEVICE	37
EAZ0122G77A_A1	CLAMPING DEVICE-MANUAL	39
EAZ0122G80A_B1	CLAMPING DEVICE-QUICKLOCK STD	41
EAZ0122G68A_C	WHEEL SUPPORT- MANUAL	43
EAZ0137G83A_E	WHEEL SUPPORT QUICKKLOK(TM)	45
EAZ0122G58A_B1	BEAD PUSHER	48
EAZ0137G22A_B	TUBELESS INFLATION UNIT - ASME	50
EAZ0122G63A_A	SUPPORT FOR CONES	53
EAZ0122G71A_C	WHEEL LIFT	55
EAZ0132G86A_B5	ELECTRIC BOX - UL/CSA	58
TEEWH923AWD_B1	ELECTRIC DIAGRAM	62
TEEWH923AWD_B2	ELECTRIC DIAGRAM	63
TEEWH924AWD_B1	ELECTRIC DIAGRAM	64
TEEWH924AWD_B2	ELECTRIC DIAGRAM	65
TEEWH778APD_C	PNEUMATIC SCHEME	66
EAZ0144G16A_B FRONT	CE_SOT TC DECLARATION-RED	69
EAZ0144G16A_B BACK	CE_SOT TC DECLARATION-RED	70
EAZ0144G17A_C	UKCA_SOT TTC DECLARATION-RED	71

UPDATING GUIDE:

July 23: EAZ0144G16A_A > B, EAZ0144G17A_A > C

EAZ0122G52A.F



05/2022

Pos	Code	Designation	Désignation	Designaciòn	N.	Note	Nota	A	B	C
1	EAM0062G14A	FIXING PLATE	BLOQUE FIXATION	BLOQUEO AJUSTE	4			X		
2	EAC0125G95A	SIDE COVER	COUVERTURE LATERALE	COBERTURA LATERAL	1				X	
3	EAS2195G49A	LEFT SIDE SHEET METAL COVER	COUVERTURE LATERALE GAUCHE	COBERTURA LATERAL IZQUIERDA	1				X	
4	EAK0330G87A	SUPPORT FEET KIT	KIT PIEDS DE SUPPORT	KIT PIES DE SOPORTE	1				X	
5	EAS2200G87A	SUPPORT LOCKING SHAFT	SUPPORT VERROUILLAGE ARBRE	SOPORE LOCKING SHAFT	1				X	
5	EAS2238G53A	SUPPORT LOCKING SHAFT	SUPPORT VERROUILLAGE ARBRE	SOPORE LOCKING SHAFT	1	CSA			X	
6	EAK0341G83A	FRONT COVER KIT	KIT COUVERTURE AVANT	KIT CÁRTER DELANTERO	1				X	
6	EAK0375G14A	FRONT COVER KIT	KIT COUVERTURE AVANT	KIT CÁRTER DELANTERO	1	CSA			X	
7	EAC0127G06A	BELT COVER - CSA	CARTER COURROIE	CÁRTER CORREA	1	CSA			X	
7	EAC0127G14A	BELT COVER	CARTER COURROIE	CÁRTER CORREA	1				X	
8	1-15476A	PLASTIC CAP-Ø120mm HOLE	BOUCHON EN PLAST.ORIFICE Ø120mm	TAPÓN DE PLÁST.ORIFICIO Ø120mm	1				X	
9	EAA0373G18A	ADJUSTABLE MIRROR	MIROIR ORIENTABLE	ESPEJO ORIENTABLE	1				X	
10	EAK0375G56A	MICROCAM GROUP KIT	KIT GROUPE MICROCAMERA	KIT GRUPO MICROCÁMARA	1				X	
10	EAK0375G57A	MICROCAM GROUP KIT	KIT GROUPE MICROCAMERA	KIT GRUPO MICROCÁMARA	1	CSA			X	
11	EAK0341G22A	KIT MANIFOLD 1/4-4D-1/8	DISTRIBUTEUR 1/4-4D-1/8	DISTRIBUDOR GIRATORIO 1/4-4D-1/8	1				X	
12	EAK0330G88A	PLUG KIT	KIT BOUCHONS	KIT TAPONES	1				X	
13	EAM0080G67A	GUIDE BAR	TIGE GUIDE	VARILLA GUÍA CARROS	1				X	

A = available - disponible - disponible

B = on request - sur demande - a petición

C = suggested - suggeré - sugerido

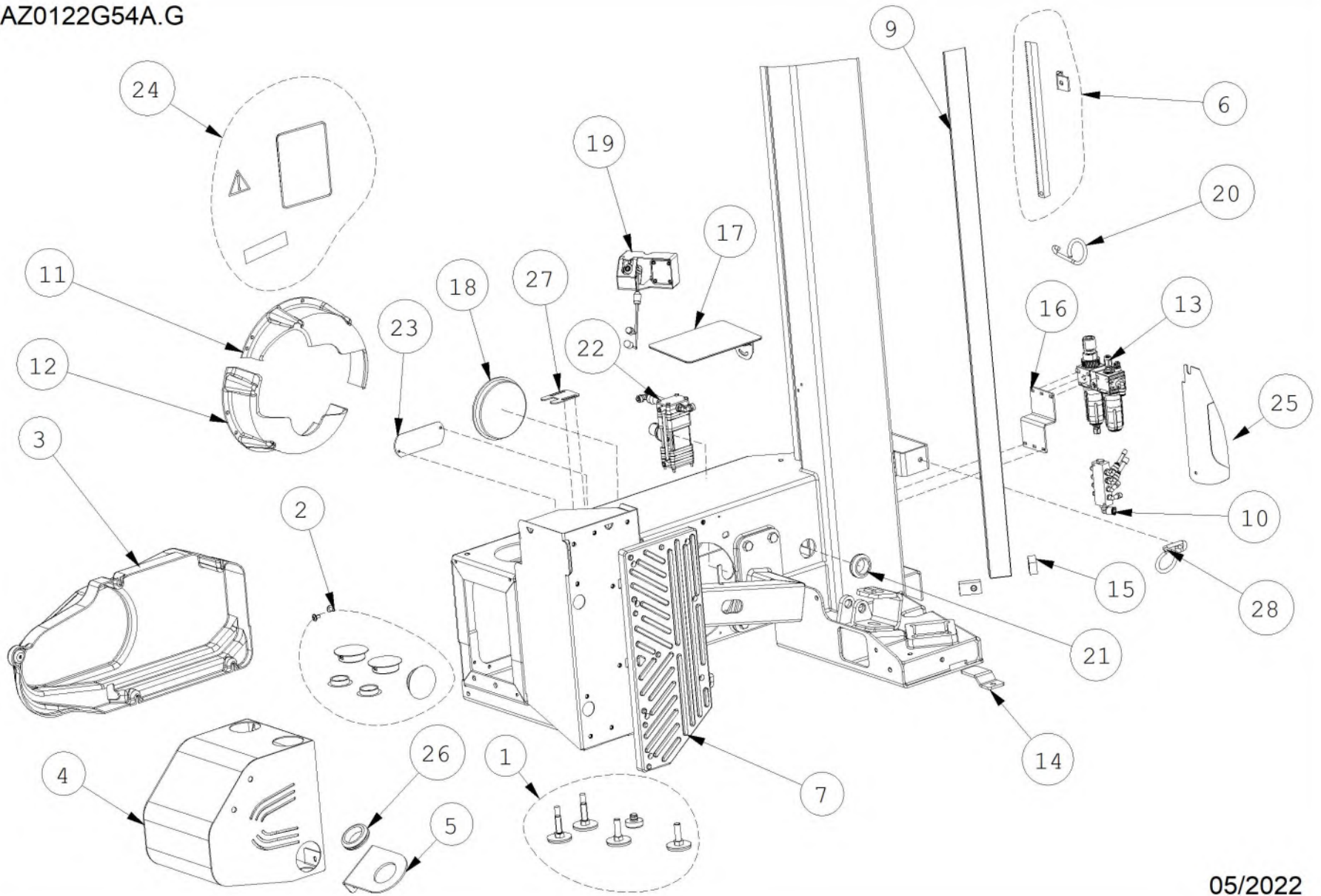
Pos	Code	Designation	Désignation	Designación	N.	Note	Nota	A	B	C
14	EAS2175G35A	COVER ,METAL	PROTECTION	PROTECCIÓN	1				X	
15	EAS2131G98A	FOOT FRAME	PIED ANCRAGE CHASSIS	PIE DE ANCLAJE BASTIDOR	1				X	
16	8-11416A	GROMMET	PASSE-CABLE CAOUTCHOUC D. 40	PASACABLE GOMA D.40	1				X	
17	EAA0439G83A	AIR FILTER GROUP	GROUPE FILTRE	GRUPO FILTRO	1				X	
18	EAM0147G62A	SUPPORT FOR PIPE	SUPPORT POUR TUYAUX	SOPORTE PARA TUBOS	1				X	
19	EAK0330G86A	RACK MOUNTING KIT	KIT MONTAGE CREMAILLERE	KIT MONTAJE CREMALLERA	1				X	
20	EAS2107G67A	BRACKET,CATAPHORESIS FILTER FIXING	ETRIER FIXATIONFILTRE CATAPHORESIS	ESTRIBO AJUSTE FILTRO CATAFORESIS	1				X	
21	EAA0384G22A	VALVE, AIR CONTROL	CLAPET REDUCTEUR DE PRESSION	VÁLVULA LIMITADORA PRESIÓN	1				x	X
22	EAK0330G63A	CABINET LABEL KIT	KIT ETIQUETTES CAISSON	KIT ETIQUETAS CAJÓN	1				X	
23	EAS2201G99A	PROTECTION PLATE	PROTECTEUR EN TOLE	CHAPA DE PROTECCIÓN	1				X	
24	8-12216A	GROMMET OPEN HOLE 52 mm, EDPM	PASSE-CABLE CAOUTCHOUC D. 52	PASACABLE GOMA D.52	1	D.52			X	
25	EAS2239G61A	COVER ,METAL	PROTECTION	PROTECCIÓN	1				X	
26	EAM0192G72A	SUPPORT FOR PIPE	SUPPORT POUR TUYAUX	SOPORTE PARA TUBOS	1				X	

A = available - disponible - disponible

B = on request - sur demande - a petición

C = suggested - suggeré - sugerido

EAZ0122G54A.G



05/2022

Pos	Code	Designation	Désignation	Designación	N.	Note	Nota	A	B	C
1	EAK0330G87A	SUPPORT FEET KIT	KIT PIEDS DE SUPPORT	KIT PIES DE SOPORTE	1				X	
2	EAK0330G88A	PLUG KIT	KIT BOUCHONS	KIT TAPONES	1				X	
3	EAC0127G06A	BELT COVER - CSA	CARTER COURROIE	CÁRTER CORREA	1	CSA			X	
3	EAC0127G14A	BELT COVER	CARTER COURROIE	CÁRTER CORREA	1				X	
4	EAK0341G83A	FRONT COVER KIT	KIT COUVERTURE AVANT	KIT CÁRTER DELANTERO	1				X	
4	EAK0375G14A	FRONT COVER KIT	KIT COUVERTURE AVANT	KIT CÁRTER DELANTERO	1	CSA			X	
5	EAS2200G87A	SUPPORT LOCKING SHAFT	SUPPORT VERROUILLAGE ARBRE	SOPORE LOCKING SHAFT	1				X	
5	EAS2238G53A	SUPPORT LOCKING SHAFT	SUPPORT VERROUILLAGE ARBRE	SOPORE LOCKING SHAFT	1	CSA			X	
6	EAK0330G86A	RACK MOUNTING KIT	KIT MONTAGE CREMAILLERE	KIT MONTAJE CREMALLERA	1				X	
7	EAC0099G22A	PAD- SUPPORT, BEADBREAKER	PALIER APPUI DETALONNEUR	TAMPÓN SOPORTE DESTALONADOR	1				X	
9	EAM0080G67A	GUIDE BAR	TIGE GUIDE	VARILLA GUÍA CARROS	1				X	
10	EAK0341G22A	KIT MANIFOLD 1/4-4D-1/8	DISTRIBUTEUR 1/4-4D-1/8	DISTRIBUDOR GIRATORIO 1/4-4D-1/8	1				X	
11	EAM0117G74A	UPPER COVER FOR BB CYLINDER	COUVERTURE SUPERIEURE VERIN BB	CÁRTER SUPERIOR CILINDRO BB	1				X	
12	EAM0117G73A	LOWER COVER FOR BB CYLINDER	COUVERTURE INFERIEURE VERIN BB	CÁRTER INFERIOR CILINDRO BB	1				X	
13	EAA0439G83A	AIR FILTER GROUP	GROUPE FILTRE	GRUPO FILTRO	1				X	
14	EAS2131G98A	FOOT FRAME	PIED ANCRAGE CHASSIS	PIE DE ANCLAJE BASTIDOR	1				X	
15	EAM0062G14A	FIXING PLATE	BLOQUE FIXATION	BLOQUEO AJUSTE	4				X	

A = available - disponible - disponible

B = on request - sur demande - a petición

C = suggested - suggeré - sugerido

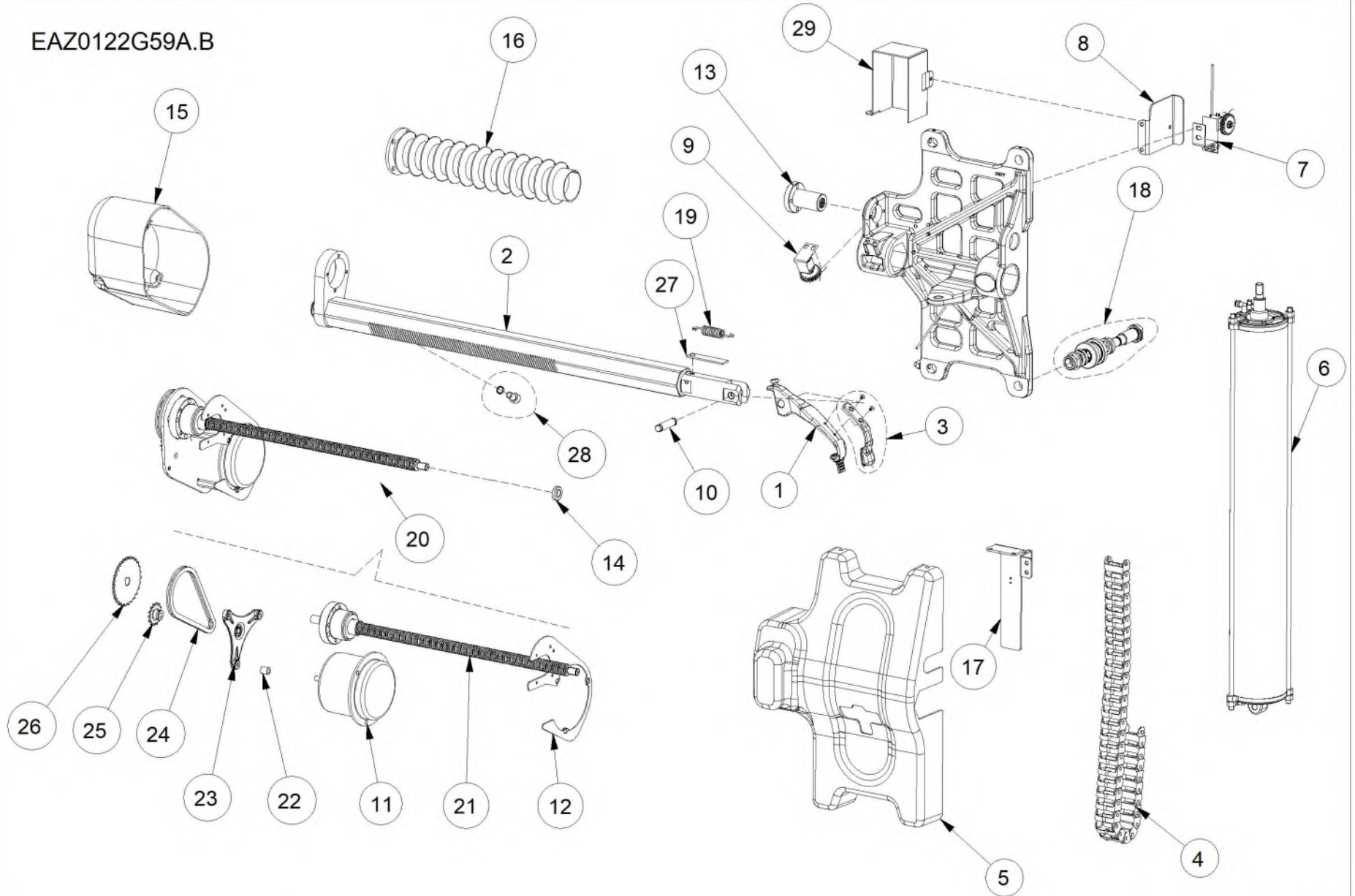
Pos	Code	Designation	Désignation	Designación	N.	Note	Nota	A	B	C
16	EAS2107G67A	BRACKET,CATAPHORESIS FILTER FIXING	ETRIER FIXATIONFILTRE CATAPHORESIS	ESTRIBO AJUSTE FILTRO CATAFORESIS	1				X	
17	EAA0373G18A	ADJUSTABLE MIRROR	MIROIR ORIENTABLE	ESPEJO ORIENTABLE	1				X	
18	1-15476A	PLASTIC CAP-Ø120mm HOLE	BOUCHON EN PLAST.ORIFICE Ø120mm	TAPÓN DE PLÁST.ORIFICIO Ø120mm	1				X	
19	EAK0375G56A	MICROCAM GROUP KIT	KIT GROUPE MICROCAMERA	KIT GRUPO MICROCÁMARA	1				X	
19	EAK0375G57A	MICROCAM GROUP KIT	KIT GROUPE MICROCAMERA	KIT GRUPO MICROCÁMARA	1	CSA			X	
20	EAM0147G62A	SUPPORT FOR PIPE	SUPPORT POUR TUYAUX	SOPORTE PARA TUBOS	1				X	
21	8-11416A	GROMMET	PASSE-CABLE CAOUTCHOUC D. 40	PASACABLE GOMA D.40	1				X	
22	EAA0384G22A	VALVE, AIR CONTROL	CLAPET REDUCTEUR DE PRESSION	VÁLVULA LIMITADORA PRESIÓN	1				x	X
23	EAS2175G35A	COVER ,METAL	PROTECTION	PROTECCIÓN	1				X	
24	EAK0330G63A	CABINET LABEL KIT	KIT ETIQUETTES CAISSON	KIT ETIQUETAS CAJÓN	1				X	
25	EAS2201G99A	PROTECTION PLATE	PROTECTEUR EN TOLE	CHAPA DE PROTECCIÓN	1				X	
26	8-12216A	GROMMET OPEN HOLE 52 mm, EDPM	PASSE-CABLE CAOUTCHOUC D. 52	PASACABLE GOMA D.52	1	D.52			X	
27	EAS2239G61A	COVER ,METAL	PROTECTION	PROTECCIÓN	1				X	
28	EAM0192G72A	SUPPORT FOR PIPE	SUPPORT POUR TUYAUX	SOPORTE PARA TUBOS	1				X	

A = available - disponible - disponible

B = on request - sur demande - a petición

C = suggested - suggeré - sugerido

EAZ0122G59A.B



10/2018

Pos	Code	Designation	Désignation	Designación	N.	Note	Nota	A	B	C
1	EAM0161G88B	M/D TOOL	OUTIL MONTEGE ET DEMONTAGE	HERRAMIENTA MONTAJE-DESMONT.	1	IMPROVED			X	
2	EAA0481G93A	TOOL CARRIAGE ARM ASSY	GROUPE BRAS OUTIL	GRUPO BRAZO HERRAMIENTA	1				X	
3	EAK0341G32A	powerMONT TOOL PROTECTOR KIT	KIT PROTECTION OUTIL powerMONT	KIT PROTECCIÓN HERRAMIENTA powerMONT	1	powerMONT		X		X
4	8-05931A	IGUS EASYCHAIN	CHAINE IGUS EASYCHAIN	CADENA IGUS EASYCHAIN	1				X	
5	EAC0115G31A	TOOLS CARRIAGE COVER	PROTECTION CHARIOT OUTIL	PROTECCIÓN CARRO HERRAMIENTA	1				X	
6	EAA0408G99A	Ø90 CYLINDER STROKE 611MM	VERIN Ø90 COURSE 611 MM	CILINDRO Ø90 CARRERA 611MM	1			X		X
7	EAK0330G82A	POTENTIOMETER GROUP KIT	KIT GROUPE POTENTIOMETRE	KIT GRUPO POTENCIÓMETRO	1			X		X
7	EAK0375G06A	POTENTIOMETER GROUP KIT	KIT GROUPE POTENTIOMETRE	KIT GRUPO POTENCIÓMETRO	1	CSA		X		X
8	EAS2169G59A	COVER POTENTIOMETER ,MONTY 8700	PROTECTION POTENTIOMETRE	PROTECCIÓN POTENCIÓMETRO	1				X	
9	EAA0409G02A	POTENTIOMETER GROUP	GROUPE POTENTIOMETRE	GRUPO POTENCIÓMETRO	1			X		X
9	EAA0503G34A	POTENTIOMETER GROUP	GROUPE POTENTIOMETRE	GRUPO POTENCIÓMETRO	1	UL/CSA		X		X
10	EAM0117G55A	SHAFT-HINGE TOOL M/D	PIVOT D'APPUI OUTIL	PERO PIVOTE HERRAMIENTA	1				X	
11	EAA0439G00A	MOTOR 48VDC WITH CONNECTOR	MOTEUR 48 VCC AVEC CONNECTEUR	MOTOR 48VCC CON CONECTOR	1			X		X
12	EAS2169G52A	PROTECTION FOR MOTOR	PROTECTION MOTEUR	PROTECCIÓN MOTOR	1				X	
13	EAM0102G59A	LEAD SCREW NUT Tr20x4 HDL20 AR	ECROU DEE VIS Tr20X4 AR	CÓCLEA Tr20X4 AR	1				X	
14	EAM0117G57A	SPACER	ENTRETOISE	SEPARADOR	1				X	
15	EAC0115G25A	MOTOR COVER	COUVERTURE MOTEUR	CÁRTER MOTOR	1			X		X

A = available - disponible - disponible

B = on request - sur demande - a petición

C = suggested - sugeré - sugerido

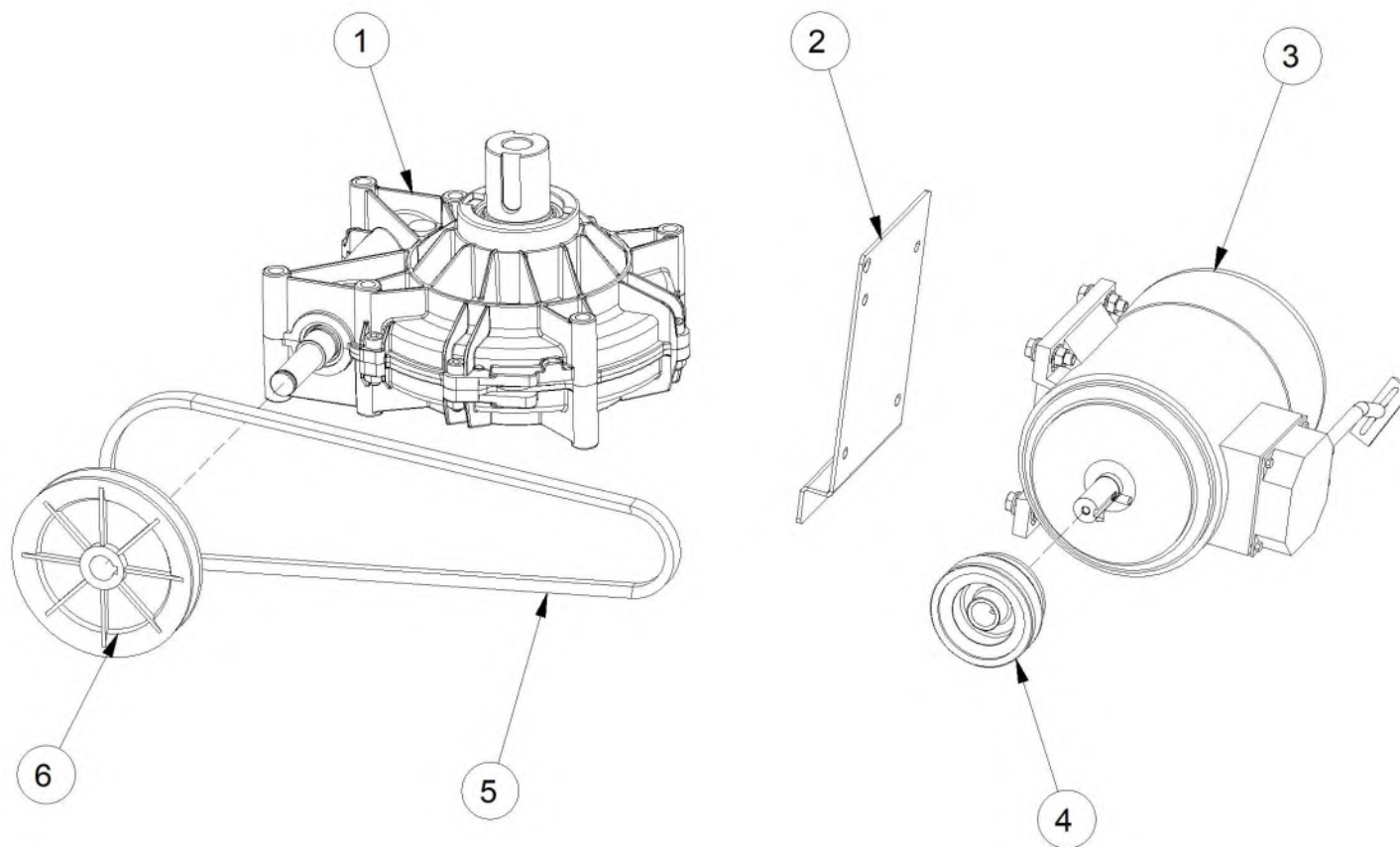
Pos	Code	Designation	Désignation	Designación	N.	Note	Nota	A	B	C
15	EAC0126G72A	MOTOR COVER	COUVERTURE MOTEUR	CÁRTER MOTOR	1	CSA		X		X
16	EAC0114G69A	BELLOW COVER FOR TRAPEZOIDAL SCREW	SOUFFLET POUR VIS TRAPEZE	FUELLE PARA TORNILLO TRAPEZOIDAL	1				X	
17	EAM0075G08A	MOBILE CATENARY SUPPORT	SUPPORT CATENAIRE MOBILE	SOPORTE CADENA MÓVIL	1				X	
18	EAK0330G81A	TOOL CARRIAGE ROLLER KIT	KIT ROUE CHARIOT OUTIL	KIT RUEDA CARRO HERRAMIENTA	4				X	
19	EAM0117G56A	SPRING,RECALL TOOL M/D	RESSORT RETOUR OUTIL	MUELLE RETORNO HERRAMIENTA	1				X	
20	EAA0408G94A	ACTUATOR MOTOR GROUP FOR TOOL ASSY	GRUPE MOTEUR/ACTIONNEUR OUTIL	GRUPO MOTOR/ACTUADOR HERRAMIENTA	1				X	
21	EAA0408G92A	ASSY TRAPEZOIDAL SCREW	GRUPE VIS TRAPEZE	GRUPO TORNILLO TRAPEZOIDAL	1				X	
22	EAM0093G79A	SPACER	ENTRETOISE	SEPARADOR	3				X	
23	EAA0393G84A	ASSY BEARING SUPPORT	GRUPE SUPPORT ROULEMENT	GRUPO SOPORTE COJINETE	1			X		
24	8-08131A	SINGLE ROLLER CHAIN	CHAINE A ROULEAUX A BAGUE FERMEE	CADENA DE RODILLOS ANILLO CERRADO	1				X	
25	EAM0125G98A	MACHINED SPROCKET 14 TEETH	PIGNON 14 DENTS USINE	PIÑÓN 14 DIENTES TRABAJADO	1				X	
26	EAM0147G60A	MACHINED SPROCKET 27 TEETH	PIGNON 27 DENTS USINE	PIÑÓN 27 DIENTES TRABAJADO	1				X	
27	EAM0180G16A	ENDSTROKE PLATE	PLATEAU FIN DE COURSE	PLATO FINAL DE CARRERA	1				X	
28	EAK0330G92A	END STROKE FOR TOOL ARM KIT	KIT FIN DE COURSE BRAS OUTIL	KIT FINAL DE CARRERA BRAZO HERRAM.	1				X	
29	EAS2208G05A	COVER POTENTIOMETER	PROTECTION POTENTIOMETRE	PROTECCIÓN POTENCIÓMETRO	1				X	

A = available - disponible - disponible

B = on request - sur demande - a petición

C = suggested - suggeré - sugerido

EAZ0122G76A.A



04/2018

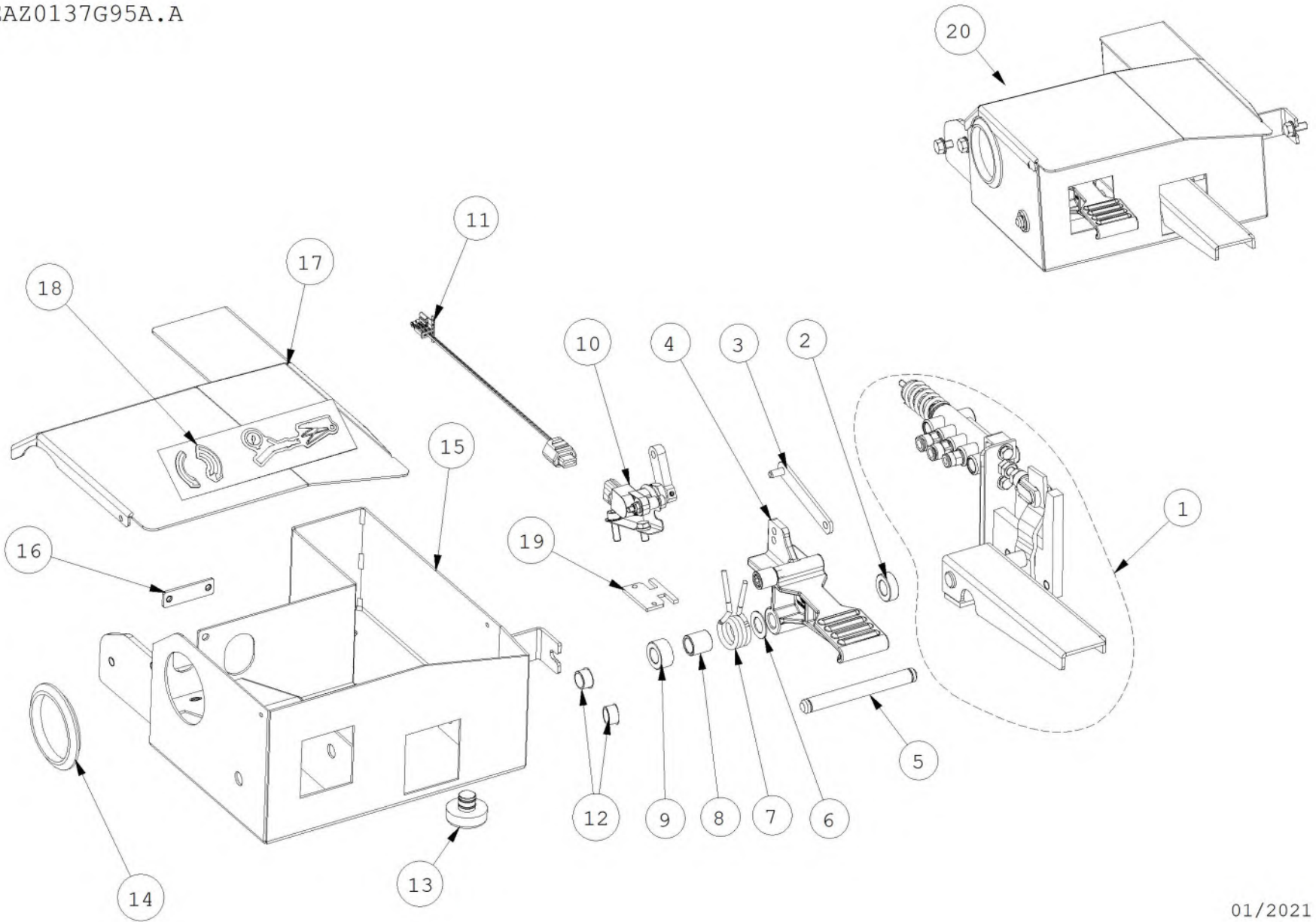
Pos	Code	Designation	Désignation	Designación	N.	Note	Nota	A	B	C
1	EAA0508G10A	GEARBOX FOR SEMI-AUTOM. TC	REDUCTEUR DEMONTE-PNEUS SEMI-AUTOM	REDUCTOR DESMONT. RUEDAS SEMIAUTOM.	1			X		
2	EAS2130G25A	MOTOR SUPPORT	SUPPORT MOTEUR	CHAPA SOPORTE MOTOR	1				X	
2	EAS2238G54A	MOTOR SUPPORT	SUPPORT MOTEUR	CHAPA SOPORTE MOTOR	1	CSA			X	
3	EAA0438G95A	HS MOTOR WITH CABLE FOR INVERTER	MOTEUR HS AVEC CABLE POUR ONDULEUR	MOTOR HS CON CABLE PARA INVERSOR	1				X	
3	EAA0439G20A	HIGH SPPED MOTOR GROUP	GROUPE MOTEUR HAUTE VIT.	GRUPO MOTOR ALTA VEL.	1	UL/CSA			X	
3	EAA0523G28A	HIGH SPPED MOTOR GROUP	GROUPE MOTEUR HAUTE VIT.	GRUPO MOTOR ALTA VEL.	1	CSA			X	
4	EAM0043G99A	PULLEY, DOUBLE	POULIE DOUBLE	POLEA DOBLE	1				X	
5	8-06831A	TRAPEZOIDAL DIRVING BELT A38 1/2	COURROIE TRAPEZOIDALE	CORREA TRAPEZOIDAL A38 1/2	1				X	X
6	EAK0341G09A	REDUCTION UNIT PULLEY KIT	KIT POULIE REDUCTEUR	KIT POLEA REDUCTOR	1				X	

A = available - disponible - disponible

B = on request - sur demande - a petición

C = suggested - suggeré - sugerido

EAZ0137G95A.A



01/2021

Pos	Code	Designation	Désignation	Designación	N.	Note	Nota	A	B	C
1	EAA0509G92A	INFLATOR PEDAL	PEDALE POMPE	PEDAL HINCHADOR	1			X		
2	EAM0192G55A	SPACER	ENTRETOISE	DISTANCIADOR	1				X	
3	EAS2132G66A	ROD PEDAL POTENTIOMETER	BIELLE POTENTIOMETRE	BIELA POTENCIÓMETRO	1			X		
4	EAA0471G28A	RIGHT SWITCH FOOT PEDAL	INTERRUPTEUR PEDALE DROITE	PEDAL INTERRUPTOR DERECHO	1			X		
5	EAM0082G14A	PIN	AXE	PERNO	1				x	
6	EAM0043G64A	WASHER, BLEEDER VALVE	RONDELLE SOUPAPE DEGONFLAGE	ARANDELA PARA BLOQUE DESHINCHADOR	1			X		
7	EAM0075G56A	SPRING, PEDAL SWITCH 2SPEED	RESSORT INTERRUPTEUR PÉDALE 2SP	MUELLE PEDAL INTERRUPTOR 2SP	1			X		X
8	EAM0048G79A	BUSHING, CENTERING- SPRING	COQUILLE SIEGE RESSORT	CASQUILLO CENTRADO MUELLE	1				X	
9	EAM0167G76A	SPACER	ENTRETOISE	DISTANCIADOR	1				X	
10	EAK0330G64A	PEDAL CABLE WITH POTENTIOMETER	CABLE PEDALIER AVEC POTENTIOMETRE	CABLE PEDALERA CON POTENCIÓMETRO	1			X		X
11	EAW0286G08A	CABLE FOR CTS POTENTIOMETER	CABLE POUR POTENTIOMETRE CTS	CABLE POTENCIÓMETRO CTS	1			X		X
12	EAC0060G00A	CAP	BOUCHON	TAPÓN	1			X		
13	EAC0078G03A	CIRCULAR RUBBER FOOT	SABOT CIRCULAIRE	PIE CIRCULAR	3			X		
14	1-11376A	D64.5 SNAP-IN PLUG FOR PLATE	BOUCHON D64.5 X PERÇAGES SUR TOLE	TAPÓN D64.5 PARA ORIFICIOS SOBRE CHAPA	1				X	
15	EAA0509G97A	PEDAL UNIT BOX	CORPS PEDALIER	CUERPO GRUPO PEDALES	1				X	
16	EAM0192G56A	PLATE	PLAQUE DE FIXATION	PLACA DE FIJACIÓN	1				X	
17	EAS2238G02A	TOP COVER PEDAL UNIT	COUVERTURE PEDALE	CÁRTER PEDAL	1				X	

A = available - disponible - disponible

B = on request - sur demande - a petición

C = suggested - suggeré - sugerido

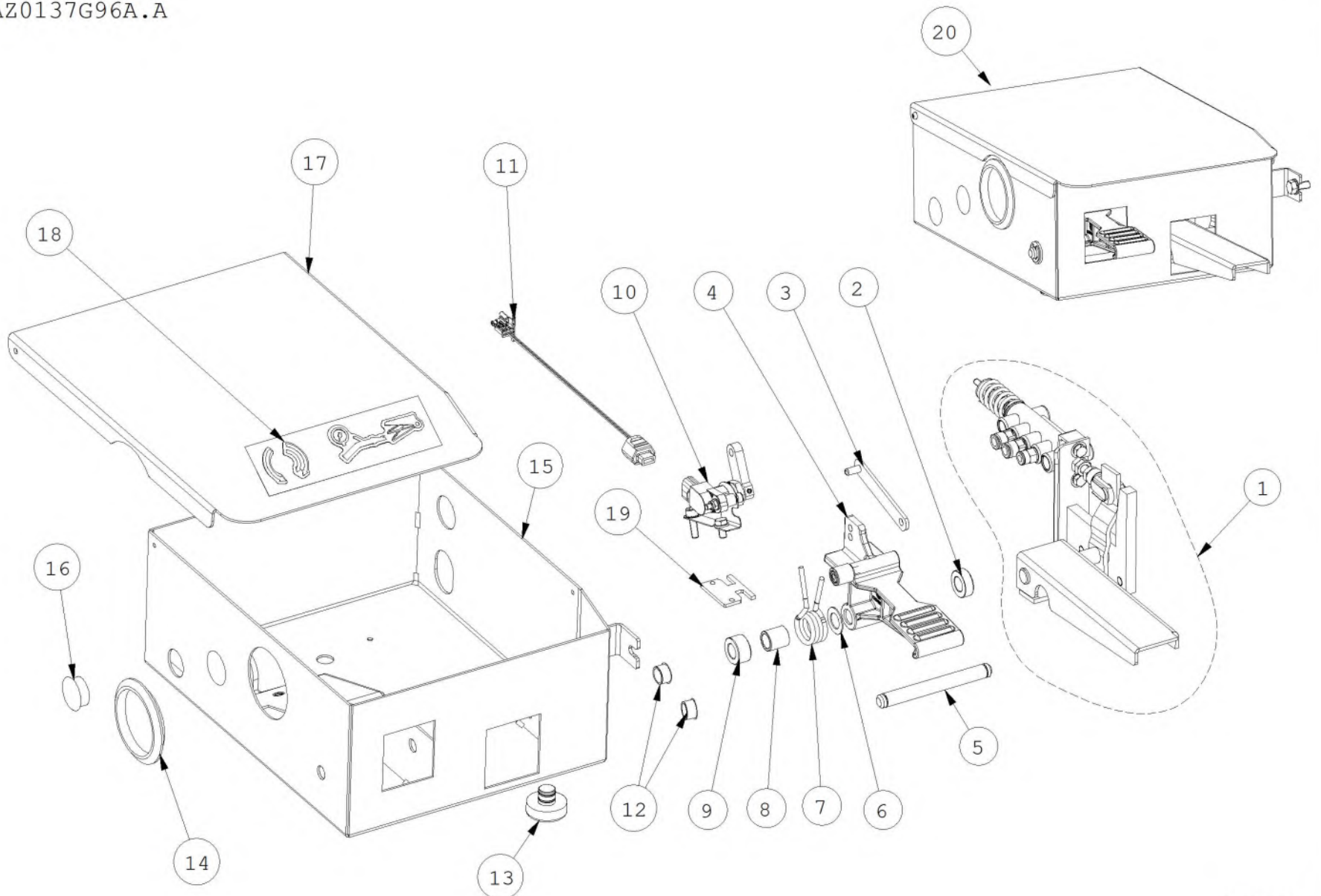
Pos	Code	Designation	Désignation	Designaciòn	N.	Note	Nota	A	B	C
18	EAL0462G09A	PEDAL LABEL	PLAQUE PEDALIER	PLACA GRUPO PEDALES	1				X	
19	EAS2175G82A	COMMUTATOR SPRING GUIDE	GUIDE RESSORT COMMUTATEUR	GUÍA MUELLE INVERSOR	1				X	
20	EAA0509G94A	PEDAL UNIT	PEDALE	PEDAL	1				X	

A = available - disponible - disponible

B = on request - sur demande - a petición

C = suggested - suggeré - sugerido

EAZ0137G96A.A



01/2021

Pos	Code	Designation	Désignation	Designaciòn	N.	Note	Nota	A	B	C
1	EAA0509G92A	INFLATOR PEDAL	PEDALE POMPE	PEDAL HINCHADOR	1			X		
2	EAM0192G55A	SPACER	ENTRETOISE	DISTANCIADOR	1				X	
3	EAS2132G66A	ROD PEDAL POTENTIOMETER	BIELLE POTENTIOMETRE	BIELA POTENCIÓMETRO	1			X		
4	EAA0471G28A	RIGHT SWITCH FOOT PEDAL	INTERRUPTEUR PEDALE DROITE	PEDAL INTERRUPTOR DERECHO	1			X		
5	EAM0082G14A	PIN	AXE	PERNO	1				x	
6	EAM0043G64A	WASHER, BLEEDER VALVE	RONDELLE SOUPAPE DEGONFLAGE	ARANDELA PARA BLOQUE DESHINCHADOR	1			X		
7	EAM0075G56A	SPRING, PEDAL SWITCH 2SPEED	RESSORT INTERRUPTEUR PÉDALE 2SP	MUELLE PEDAL INTERRUPTOR 2SP	1			X		X
8	EAM0048G79A	BUSHING, CENTERING- SPRING	COQUILLE SIEGE RESSORT	CASQUILLO CENTRADO MUELLE	1				X	
9	EAM0167G76A	SPACER	ENTRETOISE	DISTANCIADOR	1				X	
10	EAK0330G64A	PEDAL CABLE WITH POTENTIOMETER	CABLE PEDALIER AVEC POTENTIOMETRE	CABLE PEDALERA CON POTENCIÓMETRO	1			X		X
11	EAW0286G08A	CABLE FOR CTS POTENTIOMETER	CABLE POUR POTENTIOMETRE CTS	CABLE POTENCIÓMETRO CTS	1			X		X
12	EAC0060G00A	VIBRATORY SYSTEM HOLES CUP	BOUCHON, GROUPE MESURE	TAPON-GRUPO MEDIDAS	1				X	
13	EAC0078G03A	CIRCULAR RUBBER FOOT	SABOT CIRCULAIRE	PIE CIRCULAR	3			X		
14	1-11376A	D64.5 SNAP-IN PLUG FOR PLATE	BOUCHON D64.5 X PERÇAGES SUR TOLE	TAPÓN D64.5 PARA ORIFICIOS SOBRE CHAPA	1				X	
15	EAA0523G01A	PEDAL UNIT BOX	CORPS PEDALIER	CUERPO GRUPO PEDALES	1				X	
16	1-06376A	HOLE PLUG	COUVERCLE TROU	TAPA AGUJERO	1			X		
17	EAS2238G19A	TOP COVER PEDAL UNIT	COUVERTURE PEDALE	COBERTURA PEDAL	1			X		

A = available - disponible - disponible

B = on request - sur demande - a petición

C = suggested - suggeré - sugerido

Pos	Code	Designation	Désignation	Designaciòn	N.	Note	Nota	A	B	C
18	EAL0462G09A	PEDAL LABEL	PLAQUE PEDALIER	PLACA GRUPO PEDALES	1				X	
19	EAS2175G82A	COMMUTATOR SPRING GUIDE	GUIDE RESSORT COMMUTATEUR	GUÍA MUELLE INVERSOR	1			X		
20	EAA0523G00A	PEDAL UNIT	PEDALE	PEDAL	1			X		

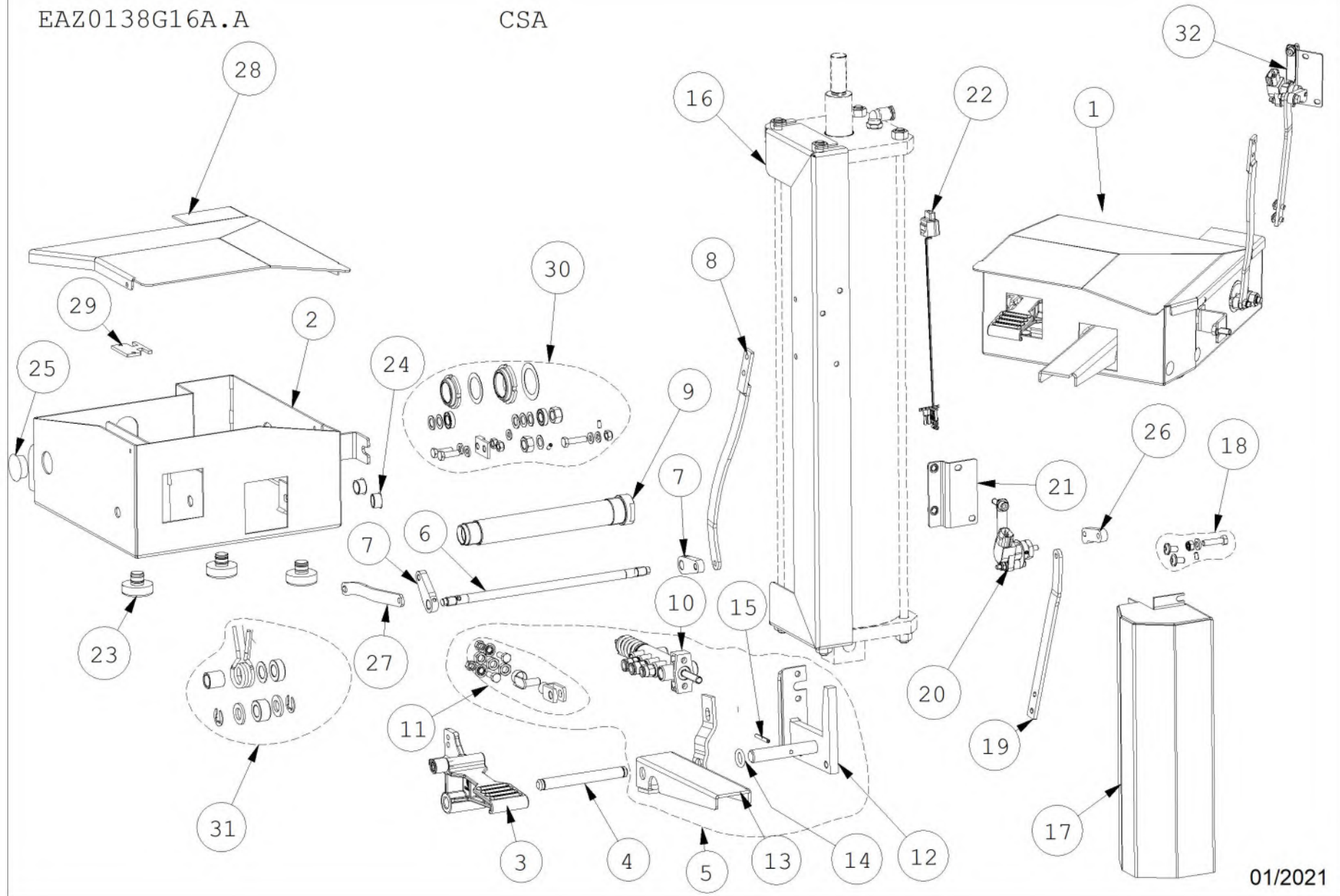
A = available - disponible - disponible

B = on request - sur demande - a petición

C = suggested - suggeré - sugerido

EAZ0138G16A.A

CSA



01/2021

Pos	Code	Designation	Désignation	Designación	N.	Note	Nota	A	B	C
1	EAA0523G51A	PEDAL UNIT	PEDALE	PEDAL	1	ATC 980 CSA		X		
2	EAS2238G64A	WELDED BASE FOR PEDAL UNIT	GROUPE SOCLE POUR PEDALIER	GRUPO BANCADA PARA GRUPO PEDALES	1	WELDED			X	
3	EAA0471G28A	RIGHT SWITCH FOOT PEDAL	INTERRUPTEUR PEDALE DROITE	PEDAL INTERRUPTOR DERECHO	1			X		
4	EAM0082G14A	PIN	AXE	PERNO	1				x	
5	EAA0509G92A	INFLATOR PEDAL	PEDALE POMPE	PEDAL HINCHADOR	1			X		
6	EAM0192G40A	SHAFT FOR TRANSMISSION	ARBRE	ÁRBOL	1				X	
7	EAM0192G41A	POTENTIOMETER ROD	BIELLE POTENTIOMETRE	BIELA POTENCIÓMETRO	2				X	
8	EAS2239G24A	LOWER POT. ROD WELDED	BIELLE INFERIEURE POTENTIOMETRE	BIELA INFERIOR POTENCIÓMETRO	1				X	
9	EAM0192G39A	HUB FOR TRANSMISSION	MOYEU	CUBO	1				X	
10	EAA0329G75A	VALVE, BEAD INFLATING	SOUPAPE CONTROLE GONFLE PNEU S/CHAM	VALVULA MANDO INFLACION NEUM.S/CAMA	1			X		X
11	EAK0306G32A	SCREWS AND BOLTS FOR GT VALVE	KIT VIS SOUPAPE GT	KIT TORNILLOS VÁLVULA GT	1			X		
12	EAA0509G93A	GT PEDAL SUPPORT	SUPPORT PEDALE	SOPORTE PEDAL	1			X		
13	EAS2068G87A	INFLATOR PEDAL CATAPHOR. BLK	PEDALE POMPE LAQUAGE HEPOXY NOIR	PEDAL HINCHADOR TUBEL.NEGRO	1			X		
14	8-19514A	O-RING 4055	JOINT OR	JUNTA OR	1	4055			X	
15	1-6652	PIN - STRAIGHT SLOTTED 4X30	BROCHE ELASTIQUE	PASADOR ELÁSTICA	1	4X30 DIN 1481		X		X
16	EAS2238G61A	BRACKET FOR SUPPORT	PLAQUETTE SUPPORT	PLAQUETA SOPORTE	1			X		
17	EAS2238G70A	PROTECTION FOR POTENTIOMETER	PROTECTION POTENTIOMETER	PROTECCIÓN POTENCIÓMETRO	1				X	

A = available - disponible - disponible

B = on request - sur demande - a petición

C = suggested - suggeré - sugerido

Pos	Code	Designation	Désignation	Designaciòn	N.	Note	Nota	A	B	C
18	EAK0375G21A	KIT POTENTIOMETER ROD	KIT BIELLE POTENTIOMETRE	KIT BIELA POTENCIÓMETRO	1				X	
19	EAS2239G25A	UPPER ROD FOR POTENTIOMETER	BIELLE SUPERIEURE POTENTIOMETRE	BIELA SUPERIOR POTENCIÓMETRO	1				X	
20	EAA0425G42A	PEDAL CABLE WITH POTENTIOMETER	CABLE PEDALIER AVEC POTENTIOMETRE	CABLE PEDALERA CON POTENCIÓMETRO	1				X	
21	EAA0524G02A	ASSY-BRACKET FOR POTENTIOMETER	GROUPE FLASQUE POTENTIOMETRE	GRUPO ESTRIBO POTENCIÓMETRO	1				X	
22	EAW0286G08A	CABLE FOR CTS POTENTIOMETER	CABLE POUR POTENTIOMETRE CTS	CABLE POTENCIÓMETRO CTS	1			X		
23	EAC0078G03A	CIRCULAR RUBBER FOOT	SABOT CIRCULAIRE	PIE CIRCULAR	3			X		
24	EAC0060G00A	VIBRATORY SYSTEM HOLES CUP	BOUCHON, GROUPE MESURE	TAPON-GRUPO MEDIDAS	2				X	
25	1-06376A	HOLE PLUG	COUVERCLE TROU	TAPA AGUJERO	2			X		
26	EAC0115G55A	POTENTIOMETER ROD	BIELLE POTENTIOMETRE	BIELA POTENCIÓMETRO	1			X		
27	EAS2238G58A	POTENTIOMETER ROD	BIELLE POTENTIOMETRE	BIELA POTENCIÓMETRO	1				X	
28	EAS2238G68A	TOP COVER PEDAL UNIT	COUVERTURE PEDALE	COBERTURA PEDAL	1				X	
29	EAS2175G82A	COMMUTATOR SPRING GUIDE	GUIDE RESSORT COMMUTATEUR	GUÍA MUELLE INVERSOR	1			X		
30	EAK0375G19A	KIT HUB FIXING	KIT FXATION MOYEU	KIT FIJACIÓN CUBO	1				X	
31	EAK0375G20A	KIT PEDAL FIXING	KIT FIXATION PEDALE	KIT FIJACIÓN PEDAL	1				X	
32	EAA0524G00A	POTENTIOMETER ASSY	KIT POTENTIOMETRE	KIT POTENCIÓMETRO	1		REMOTE POT.		X	

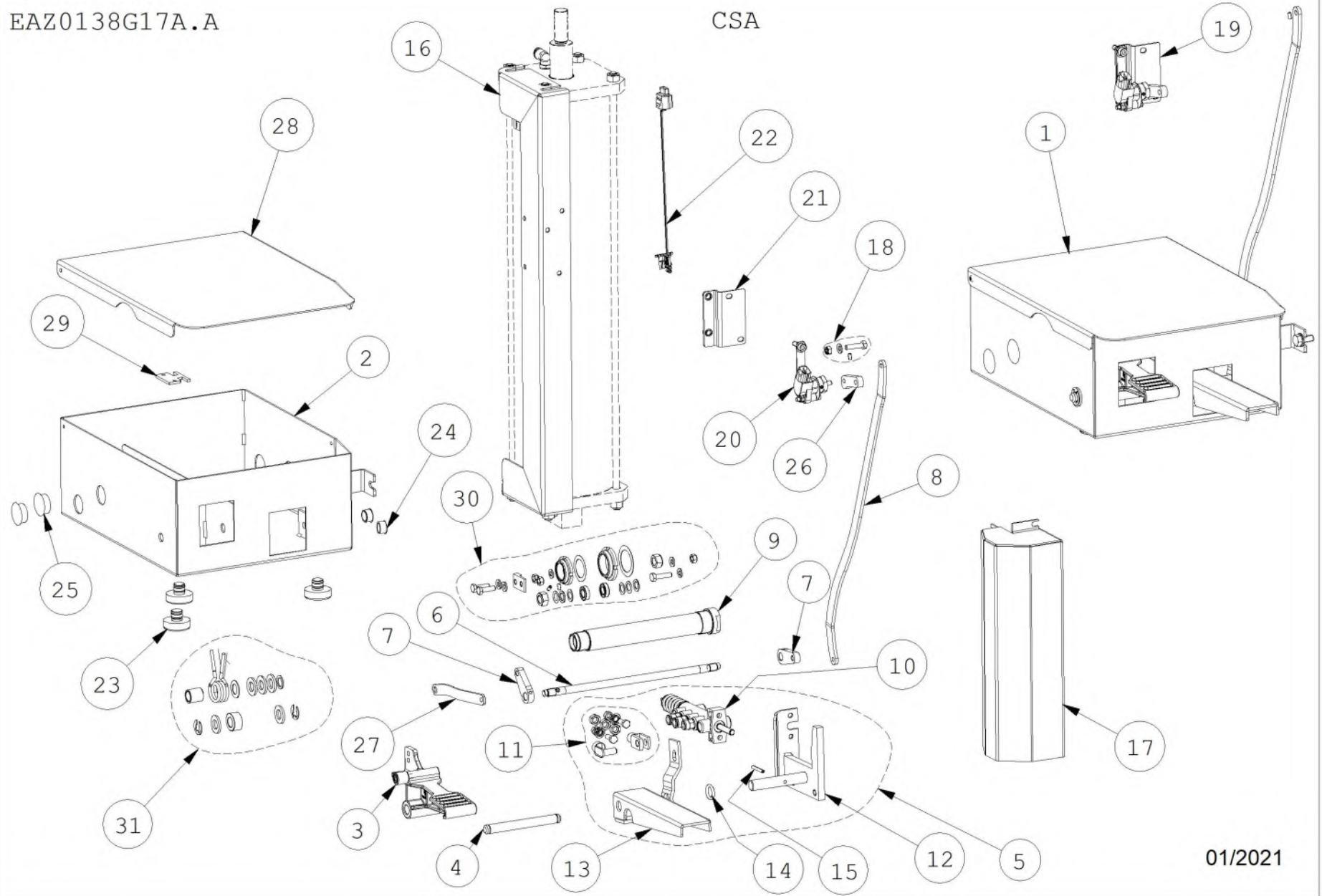
A = available - disponible - disponible

B = on request - sur demande - a petición

C = suggested - suggeré - sugerido

EAZ0138G17A.A

CSA



01/2021

Pos	Code	Designation	Désignation	Designación	N.	Note	Nota	A	B	C
1	EAA0523G52A	PEDAL UNIT	PEDALE	PEDAL	1	ATC 970 CSA		X		
2	EAS2238G90A	WELDED BASE FOR PEDAL UNIT	GROUPE SOCLE POUR PEDALIER	GRUPO BANCADA PARA GRUPO PEDALES	1	WELDED			X	
3	EAA0471G28A	RIGHT SWITCH FOOT PEDAL	INTERRUPTEUR PEDALE DROITE	PEDAL INTERRUPTOR DERECHO	1			X		
4	EAM0082G14A	PIN	AXE	PERNO	1				x	
5	EAA0509G92A	INFLATOR PEDAL	PEDALE POMPE	PEDAL HINCHADOR	1			X		
6	EAM0192G40A	SHAFT FOR TRANSMISSION	ARBRE	ÁRBOL	1				X	
7	EAM0192G41A	POTENTIOMETER ROD	BIELLE POTENTIOMETRE	BIELA POTENCIÓMETRO	2				X	
8	EAS2238G62A	ROD FOR TRANSMISSION	BIELLE TRANSMISSION	BIELA TRANSMISIÓN	1				X	
9	EAM0192G39A	HUB FOR TRANSMISSION	MOYEU	CUBO	1				X	
10	EAA0329G75A	VALVE, BEAD INFLATING	SOUPAPE CONTROLE GONFLE PNEU S/CHAM	VALVULA MANDO INFLACION NEUM.S/CAMA	1			X		X
11	EAK0306G32A	SCREWS AND BOLTS FOR GT VALVE	KIT VIS SOUPAPE GT	KIT TORNILLOS VÁLVULA GT	1			X		
12	EAA0509G93A	GT PEDAL SUPPORT	SUPPORT PEDALE	SOPORTE PEDAL	1			X		
13	EAS2068G87A	INFLATOR PEDAL CATAPHOR. BLK	PEDALE POMPE LAQUAGE HEPOXY NOIR	PEDAL HINCHADOR TUBEL.NEGRO	1			X		
14	8-19514A	O-RING 4055	JOINT OR	JUNTA OR	1	4055			X	
15	1-6652	PIN - STRAIGHT SLOTTED 4X30	BROCHE ELASTIQUE	PASADOR ELÁSTICA	1	4X30 DIN 1481		X		X
16	EAS2238G61A	BRACKET FOR SUPPORT	PLAQUETTE SUPPORT	PLAQUETA SOPORTE	1			X		
17	EAS2238G70A	PROTECTION FOR POTENTIOMETER	PROTECTION POTENTIOMETER	PROTECCIÓN POTENCIÓMETRO	1				X	

A = available - disponible - disponible

B = on request - sur demande - a petición

C = suggested - suggeré - sugerido

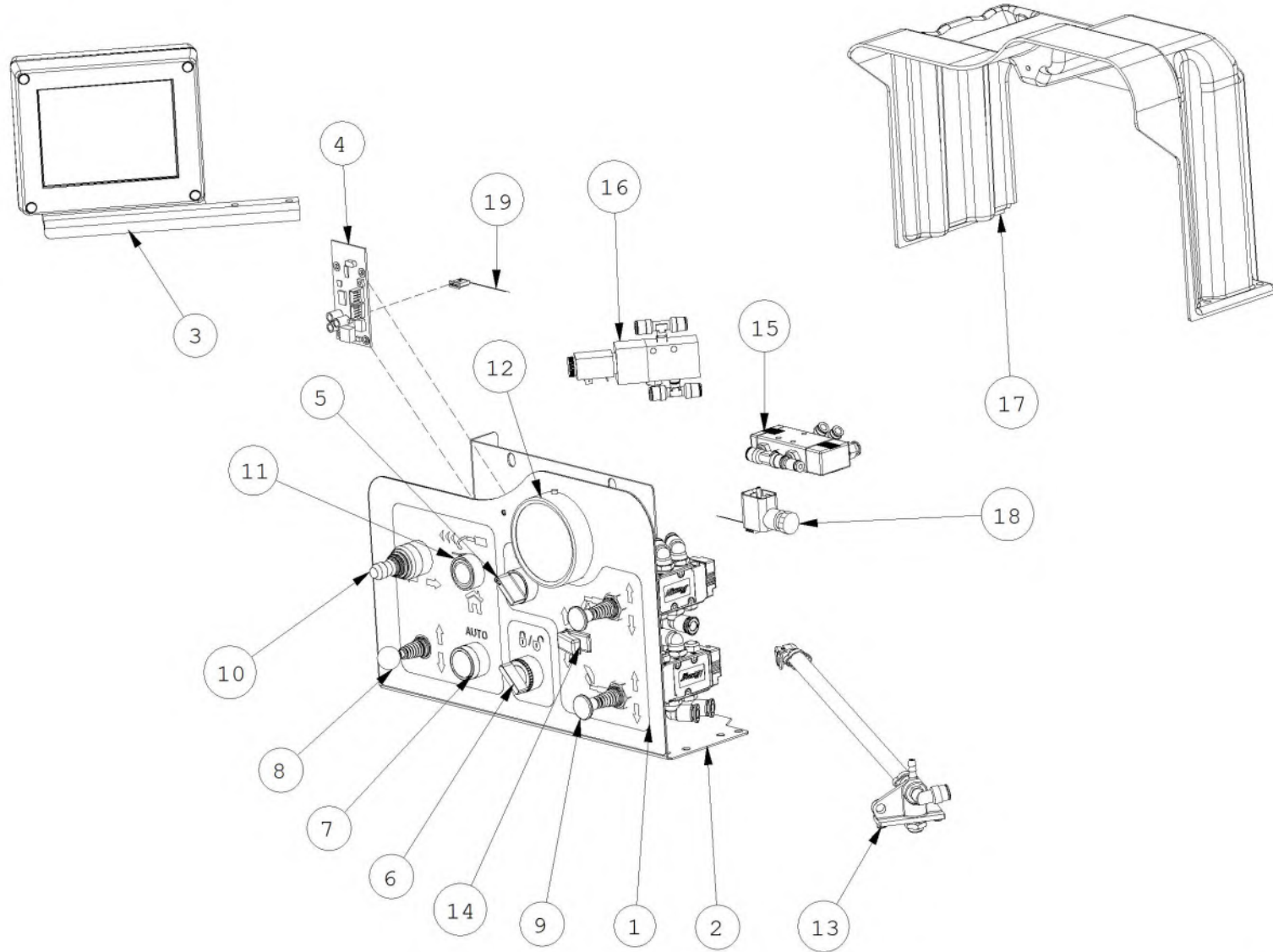
Pos	Code	Designation	Désignation	Designacìon	N.	Note	Nota	A	B	C
18	EAK0375G22A	KIT POTENTIOMETER ROD	KIT BIELLE POTENTIOMETRE	KIT BIELA POTENCIÓMETRO	1				X	
19	EAA0524G07A	POTENTIOMETER ASSY	KIT POTENTIOMETRE	KIT POTENCIÓMETRO	1	REMOTE			X	
20	EAA0425G42A	PEDAL CABLE WITH POTENTIOMETER	CABLE PEDALIER AVEC POTENTIOMETRE	CABLE PEDALERA CON POTENCIÓMETRO	1				X	
21	EAA0524G02A	ASSY-BRACKET FOR POTENTIOMETER	GROUPE FLASQUE POTENTIOMETRE	GRUPO ESTRIBO POTENCIÓMETRO	1				X	
22	EAW0286G08A	CABLE FOR CTS POTENTIOMETER	CABLE POUR POTENTIOMETRE CTS	CABLE POTENCIÓMETRO CTS	1				X	
23	EAC0078G03A	CIRCULAR RUBBER FOOT	SABOT CIRCULAIRE	PIE CIRCULAR	3				X	
24	EAC0060G00A	VIBRATORY SYSTEM HOLES CUP	BOUCHON, GROUPE MESURE	TAPON-GRUPO MEDIDAS	2				X	
25	1-06376A	HOLE PLUG	COUVERCLE TROU	TAPA AGUJERO	2				X	
26	EAC0115G55A	POTENTIOMETER ROD	BIELLE POTENTIOMETRE	BIELA POTENCIÓMETRO	1				X	

A = available - disponible - disponible

B = on request - sur demande - a petición

C = suggested - suggeré - sugerido

EAZ0138G09A.C



03/2022

Pos	Code	Designation	Désignation	Designación	N.	Note Nota	A	B	C
1	EAL0467G29A	LABEL, CONTROL PANEL - AUTO. LOCK	ETIQUETTE PANNEAU DE COMMANDE	ETIQUETA PANEL DE CONTROL	1	Manual Clamp		X	
1	EAL0467G30A	LABEL, CONTROL PANEL - MANUAL LOCK	ETIQUETTE PANNEAU DE COMMANDE	ETIQUETA PANEL DE CONTROL	1	quickLOK		X	
2	EAS2228G25A	SHEET METAL, CONSOLLE SUPPORT	SUPPORT CONSOLE	SOPORTE CONSOLA	1			X	
3	EAA0481G19A	MONITOR WITH SUPPORT	ECRAN AVEC SUPPORT	MONITOR CON SOPORTE	1	Optional		X	
4	EAP0299G50A	REMOTE RX BOARD	CARTE RECEPTEUR	TARJETA RECEPTOR	1	quickLOK - Radio		X	
5	EAA0507G56A	TWO POSITION SWITCH ASSY	COMMUTATEUR 2 POS.	CONMUTADOR 2 POS.	1			X	
6	EAA0507G53A	2-POSITION SELECTOR ASSY	GROUPE SELECTEUR A 2 POSITIONS	GRUO SELECTOR 2 POSICIONES	1	quickLOK		X	
7	EAA0507G52A	WHITE LED BUTTON FOR AUTO SERVICE	TOUCHE LED BLANCS POUR SEVICE AUTO	TECLA LEDES BLANCOS PARA SERVICIO AUTO	1			X	
8	EAA0440G68A	VALVE WITH ELBOW FITTING	VALVE AVEC RACCORDS	VÁLVULA CON RACORES	1			X	
9	EAA0350G58A	VALVE	SOUPAPE	VÁLVULA	2			X	
10	2-13658A	JOYSTICK, 2 POSITIONS, 48MM SHAFT	JOYSTICK 2 POSITIONS, ARBRE 48MM	JOYSTICK 2 POSICIONES, ÁRBOL 48MM	1			X	
11	EAA0507G51A	GREEN PUSH BUTTON ASSY	GROUPE TOUCHE VERTE	GRUPO TECLA VERDE	1			X	
12	EAA0426G72A	MANOMETER GROUP	GROUPE MANOMETRE	GRUPO MANÓMETRO	1	BAR/PSI		X	
12	EAA0524G55A	GRUPPO MANOMETRO	GROUPE MANOMETRE	GRUPO MANÓMETRO	1	PSI/BAR		X	
13	EAA0426G89A	INFLATION GAUGE	UNITE DE GONFLAGE	UNIDAD DE INFLADO	1			X	
13	EAA0503G02A	INFLATION GAUGE	UNITE DE GONFLAGE	UNIDAD DE INFLADO	1			X	
14	1-33181A	MANUALLY OPERATED MICROVALVE	VALVE	VÁLVULA	1			X	

A = available - disponible - disponible

B = on request - sur demande - a petición

C = suggested - suggeré - sugerido

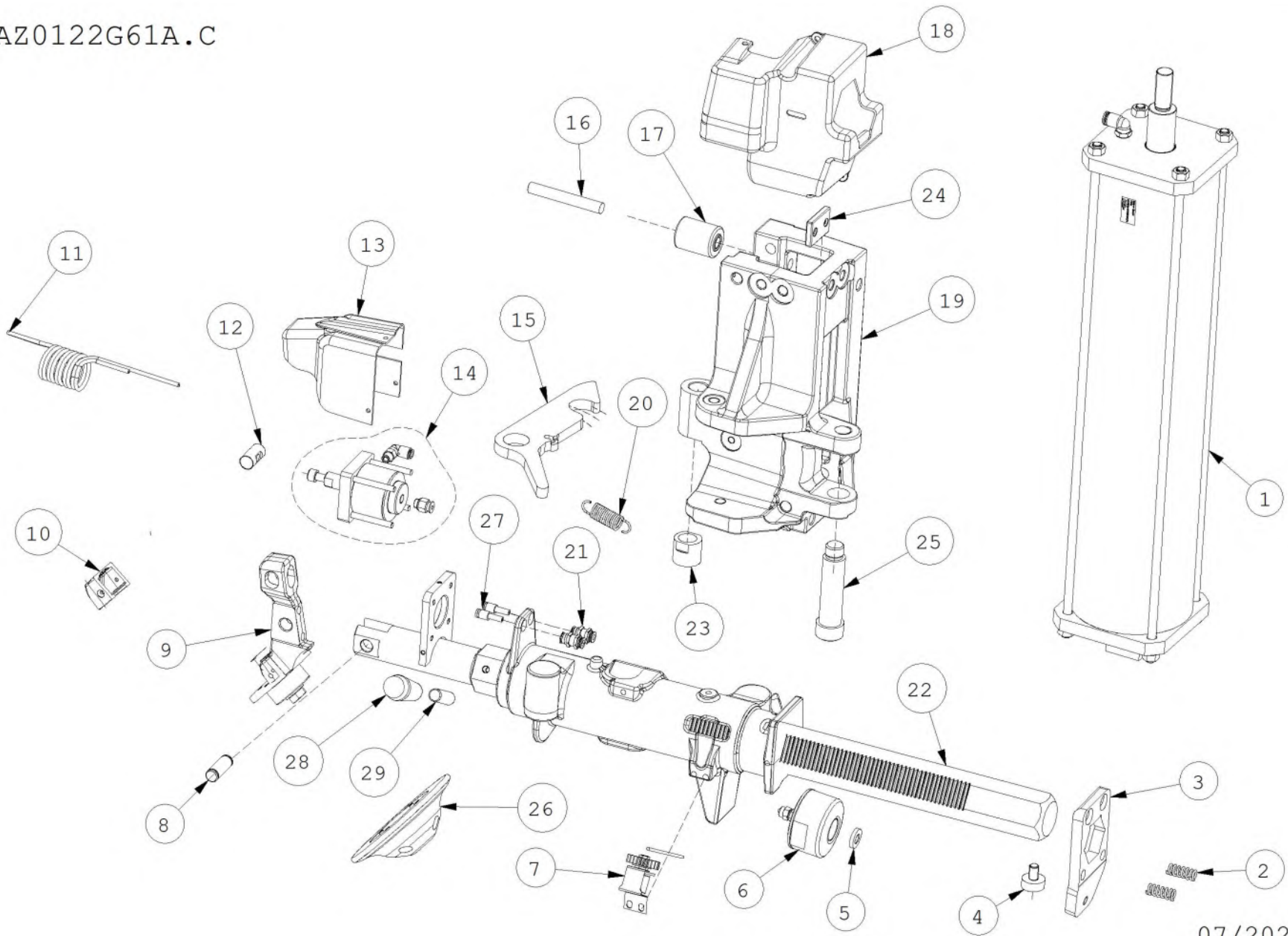
Pos	Code	Designation	Désignation	Designación	N.	Note	Nota	A	B	C
15	EAA0472G10A	PNEUMATICALLY OPERATED VALVE WITH FI	SOUPAPE COMMANDE PNEU.+ RACCORDS	VÁLVULAS CON MANDO NEUMÁTICO CON RA	1				X	
16	EAA0457G33A	5/2 WAY MONOSTABLE	SOUPAPE SOLENOIDE 2 VOIES	ELECTROVÁLVULA 5/2	1					X
17	EAC0125G92A	COVER FOR CONTROL PANEL	CARTER MANIPULATEUR	CÁRTER MANIPULADOR	1				X	
18	EAW0287G05A	CONSOLE HARNESS QUICKLOCK	CABLAGE MANIPULATEURS	CABLEADO MANIPULADORES	1	quickLOK			X	
18	EAW0287G06A	CONSOLE HARNESS QUICKLOCK RADIO	CABLAGE MANIPULATEURS	CABLEADO MANIPULADORES	1	quickLOK - Radio			X	
18	EAW0287G07A	CONSOLE HARNESS NO QUICKLOCK	CABLAGE MANIPULATEURS	CABLEADO MANIPULADORES	1	Manual Clamp			X	
18	EAW0287G08A	CONSOLE HARNESS QUICKLOCK - UL/CSA	CABLAGE MANIPULATEURS	CABLEADO MANIPULADORES	1	quickLOK - UL/CSA			X	
18	EAW0287G09A	CONSOLE HARNESS - UL/CSA	CABLAGE MANIPULATEURS	CABLEADO MANIPULADORES	1	Manual Clamp - UL/			X	
19	EAW0286G33A	WHEEL CLAMP CABLE	CABLE SERRAGE ROUE	CABLEADO APRIETE RUEDA	1	quickLOK - Radio			X	

A = available - disponible - disponible

B = on request - sur demande - a petición

C = suggested - suggeré - sugerido

EAZ0122G61A.C



07/2021

Pos	Code	Designation	Désignation	Designación	N.	Note	Nota	A	B	C
1	EAA0371G76A	BEAD BREAKER CYLINDER	VERIN DETALONNEUR	CILINDRO DESTALONADOR	1			X		x
2	EAM0053G62A	SPRING ADJUSTMENT	RESSORT RETOUR LEV. ETRANG.	MUELLE REGRESO PALANCA AJUSTE ALIM.	2			x		
3	EAS2109G31A	HORIZONTAL STRANGLE	ETRANGLEUR HORIZONTAL	ESTRANGULADOR HORIZONTAL	1				X	
4	EAC0094G00A	ARM RETAINING SCREW	VIS ARRET BRAS	TORNILLO DE PARO BRAZO	1			x		
5	EAM0053G63A	WASHER- REINFORCEMENT	RONDELLE DE SOUTIEN	ARANDELA DE REFUERZO GALV. BLANCA	1				X	
6	EAA0344G48A	CYLINDER - ROD,HORIZONTAL-LOCK	VERIN- BLOCAGE HORIZONTAL	CILINDRO BLOQUEAJE ORIZONTAL	1			X		
7	EAA0503G83A	UPPER POTENTIOMETER GROUP	GROUPE POTENTIOMETRE SUPERIEUR	GRUPO POTENCIÓMETRO SUPERIOR	1				X	
7	EAA0503G84A	UPPER POTENTIOMETER GROUP	GROUPE POTENTIOMETRE SUPERIEUR	GRUPO POTENCIÓMETRO SUPERIOR	1	UL/CSA			X	
8	EAM0056G68A	JOINT PIN	AXE ROTULE	PERNO DE ARTICULACIÓN	1			X		
9	EAK0341G11A	BEAD BREAKER DISK SUPPORT KIT	KIT SUPPORT DISQUE DETALONNEUR	KIT SOPORTE DISCO DESTALONADOR	1			X		x
10	EAC0099G79A	DISK PROTECTION	PROTECTION DISQUE	PROTECCIÓN DISCO	1			X		x
11	EAM0154G86A	MULTIHOSE SPIRAL BLUE D4x2.5 N.5 TURN	SPIRALE MULTITUBE	ESPIRAL MULTITUBO	1				X	
12	EAM0068G69A	CYLINDER JOINT	ROTULE VERIN	ARTICULACIÓN CILINDRO	1				X	
13	EAC0096G06A	CYLINDER PROTECTION	PROTECTEUR VERIN	PROTECCIÓN CILINDRO	1			X		X
14	EAK0341G13A	BEAD BREAKER CYLINDER KIT D,50	KIT VERIN DETALONNEUR D.50	KIT CILINDRO DESTALONADOR	1				X	
15	EAM0080G58A	HOOK	CROCHET	GANCHO	1				X	
16	1-24052A	PIN	GOUPILLE	PASADOR	4			X		

A = available - disponible - disponible

B = on request - sur demande - a petición

C = suggested - suggeré - sugerido

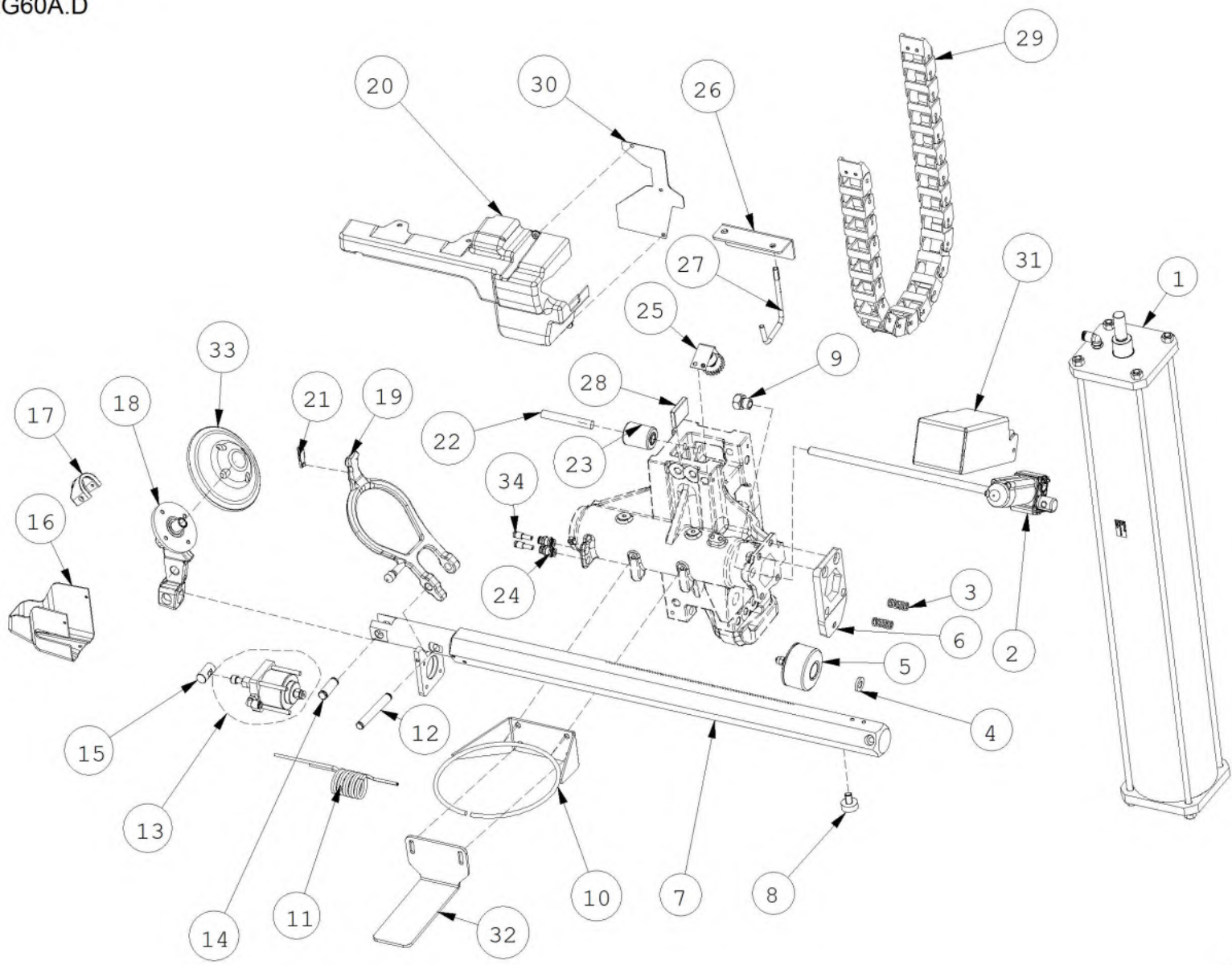
Pos	Code	Designation	Désignation	Designación	N.	Note	Nota	A	B	C
17	EAM0062G54A	ROLLER	ROULEAU	RODILLO	4			X		
18	EAC0100G92A	STRANGLE PROTECTION	PROTECTEUR ETRANGLEUR	PROTECCIÓN ESTRANGULADOR	1				X	
19	EAM0080G55A	UPPER BEAD BREAKER CARRIAGE MACHINE CHARIOT OU DETALONNEUR SUP. USINE		CARRO DESTALONADOR SUP. TRABAJADO	4				X	
20	EAM0085G40A	SPRING	RESSORT	MUELLE	1				X	
21	1-15179A	STRAIGHT FITTING RAPID CONNECTOR 6x4 M	RACCORD RAPIDE 6x4 M12	CONEXION RAPIDA 6x4 M12	2			X		
22	EAA0371G68A	HEX BAR	TRINGLE HEXAGONALE	VARILLA HEXAGONAL	1				X	
23	EAM0080G60A	ECCENTRIC SPACER	ENTRETOISE EXCENTRIQUE	DISTANCIADOR EXCÉNTRICO	1				X	
24	EAM0062G55A	SLIDING BLOCK	PATIN	PATÍN	1				X	
25	EAM0080G59A	PIN	BROCHE	PERNO	1			X		
26	EAC0096G43A	BEAD BREAKER DISK	DISQUE DETALONNEUR	DISCO DESTALONADOR	1			X		
27	1-18379A	REDUCER Ø6-Ø4	RACCORD REDUCTION D.6-D.4	REDUCCIÓN D.6-D.4	2				X	
28	EAC0078G04A	HANDLE-RUBBER	POIGNEE POUR LEVIER	MANIJA PARA PALANCA	1				X	
29	EAM0061G32A	UNLOCKING DISK ROD	TRINGLE DEBLOCAGE DISQUE	VARILLA DESBLOQUEO DISCO	1				X	

A = available - disponible - disponible

B = on request - sur demande - a petición

C = suggested - suggeré - sugerido

EAZ0122G60A.D



12/2021

Pos	Code	Designation	Désignation	Designación	N.	Note	Nota	A	B	C
1	EAA0371G75A	BEAD BREAKER CYLINDER	VERIN DETALONNEUR	CILINDRO DESTALONADOR	1			X		X
2	EAA0438G99A	ACTUATOR WITH CABLE	ACTIONNEUR AVEC CABLE	ACTUADOR CON CABLE	1			X		X
2	EAA0503G17A	ACTUATOR WITH CABLE	ACTIONNEUR AVEC CABLE	ACTUADOR CON CABLE	1	UL/CSA		X		X
3	EAM0053G62A	SPRING ADJUSTMENT	RESSORT RETOUR LEV. ETRANG.	MUELLE REGRESO PALANCA AJUSTE ALIM.	2			x		
4	EAM0053G63A	WASHER- REINFORCEMENT	RONDELLE DE SOUTIEN	ARANDELA DE REFUERZO GALV. BLANCA	1				X	
5	EAA0344G48A	CYLINDER - ROD,HORIZONTAL-LOCK	VERIN- BLOCAGE HORIZONTAL	CILINDRO BLOQUEAJE ORIZONTAL	1			X		X
6	EAS2109G31A	HORIZONTAL STRANGLE	ETRANGLEUR HORIZONTAL	ESTRANGULADOR HORIZONTAL	1				X	
7	EAA0472G34A	ASSY HEX BAR LOWER BEAD BREAKER	TRINGLE HEXAGONALE TRINGLE HEXAGONAL	VARILLA HEXAGONAL DESTALONADOR INF. C	1				X	
8	EAC0094G00A	ARM RETAINING SCREW	VIS ARRET BRAS	TORNILLO DE PARO BRAZO	1			x		
9	EAM0076G10A	LEAD SCREW NUT	VIS-ECROU	TORNILLO PATRÓN	1			X		
10	EAA0349G76A	RING- BOX, GREASE	COURONNE BOITE GRAISSE	ANILLO PORTAGRASA GALVANIZADO	1				X	
11	EAM0154G86A	MULTIHOSE SPIRAL BLUE D4x2.5 N.5 TURN	SPIRALE MULTITUBE	ESPIRAL MULTITUBO	1				X	
12	EAM0117G58A	PIN	PIVOT	PERNO	1				X	
13	EAK0341G13A	BEAD BREAKER CYLINDER KIT D,50	KIT VERIN DETALONNEUR D.50	KIT CILINDRO DESTALONADOR	1				X	
14	EAM0056G68A	JOINT PIN	AXE ROTULE	PERNO DE ARTICULACIÓN	1			X		
15	EAM0068G69A	CYLINDER JOINT	ROTULE VERIN	ARTICULACIÓN CILINDRO	1				X	
16	EAC0127G02A	CYLINDER PROTECTION	PROTECTEUR VERIN	PROTECCIÓN CILINDRO	1				X	

A = available - disponible - disponible

B = on request - sur demande - a petición

C = suggested - suggeré - sugerido

Pos	Code	Designation	Désignation	Designación	N.	Note	Nota	A	B	C
17	EAC0099G79A	DISK PROTECTION	PROTECTION DISQUE	PROTECCIÓN DISCO	1			X		X
18	EAK0341G11A	BEAD BREAKER DISK SUPPORT KIT	KIT SUPPORT DISQUE DETALONNEUR	KIT SOPORTE DISCO DESTALONADOR	1			X		X
19	EAA0472G27A	TOOL 2 ASSEMBLED	GRUPE OUTIL 2	GRUPO HERRAMIENTA 2	1				X	
20	EAC0100G93A	STRANGLE PROTECTION	PROTECTEUR ETRANGLEUR	PROTECCIÓN ESTRANGULADOR	1				X	
21	EAK0330G58A	LOWER BEAD TOOL PROTECTOR KIT	KIT PROTECTION OUTIL INFERIEUR	KIT PROTECCIÓN HERRAMIENTA INFERIOR	1			X		
22	1-24052A	PIN	GOUPILLE	PASADOR	4			X		
23	EAM0062G54A	ROLLER	ROULEAU	RODILLO	4			X		
24	1-15179A	STRAIGHT FITTING RAPID CONNECTOR 6x4 M	RACCORD RAPIDE 6x4 M12	CONEXION RAPIDA 6x4 M12	2			X		
25	EAA0503G81A	POTENTIOMETER GROUP	GRUPE POTENTIOMETRE	GRUPO POTENCIÓMETRO	1			X		X
25	EAA0503G82A	POTENTIOMETER GROUP	GRUPE POTENTIOMETRE	GRUPO POTENCIÓMETRO	1	UL/CSA		X		X
26	EAS2131G64A	CARRIER SUPPORT	SUPPORT CHAINE PORTE-CABLES	SOPORTE CADENA PORTACABLES	1				X	
27	EAM0074G29A	HOOK	CROCHET	GANCHO	1				X	
28	EAM0062G55A	SLIDING BLOCK	PATIN	PATÍN	4				X	
29	8-06131A	CARRIER	CHAINE PORTE-CABLES	CADENA PORTACABLES	1				X	
30	EAS2131G15A	STRANGLE COVER	HABILLAGE ETRANGLEUR	COBERTURA ESTRANGULADOR	1				X	
31	EAA0535G12A	ACTUATOR PROTECTIVE ASM	TOTE PROTECTION ACTIONNEUR	CHAPA DE PROTECCION ACTUADOR	1			X		
32	EAS2219G19A	PASTE BUCKET SUPPORT	TOLE SUPPORT GRAISSE	PLANCHA SOPORTE GRASA	1				X	

A = available - disponible - disponible

B = on request - sur demande - a petición

C = suggested - suggeré - sugerido

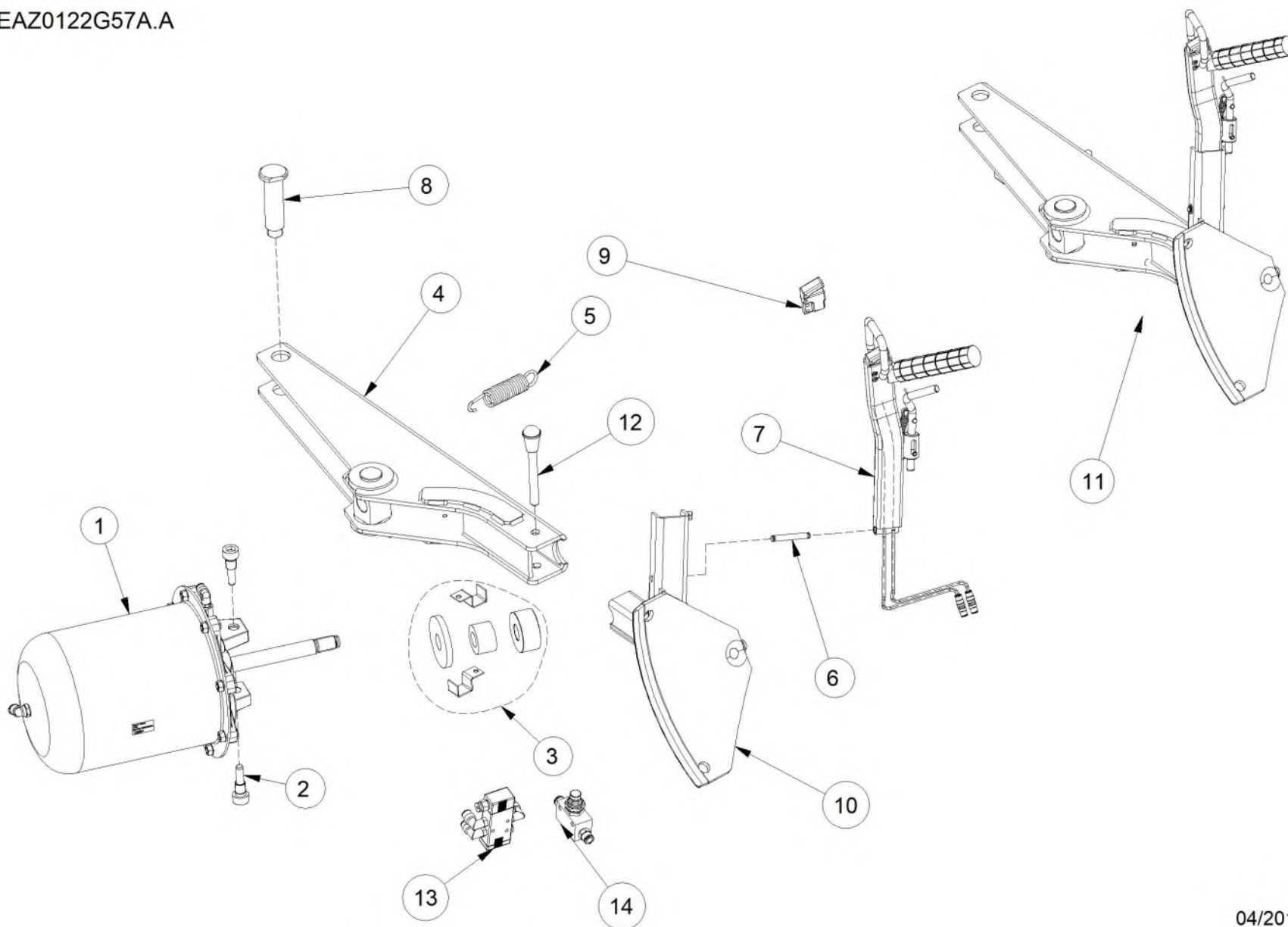
Pos	Code	Designation	Désignation	Designación	N.	Note	Nota	A	B	C
33	EAC0096G43A	BEAD BREAKER DISK	DISQUE DETALONNEUR	DISCO DESTALONADOR	1			X		
34	1-18379A	REDUCER Ø6-Ø4	RACCORD REDUCTION D.6-D.4	REDUCCIÓN D.6-D.4	2				X	

A = available - disponible - disponible

B = on request - sur demande - a petición

C = suggested - suggeré - sugerido

EAZ0122G57A.A



04/2018

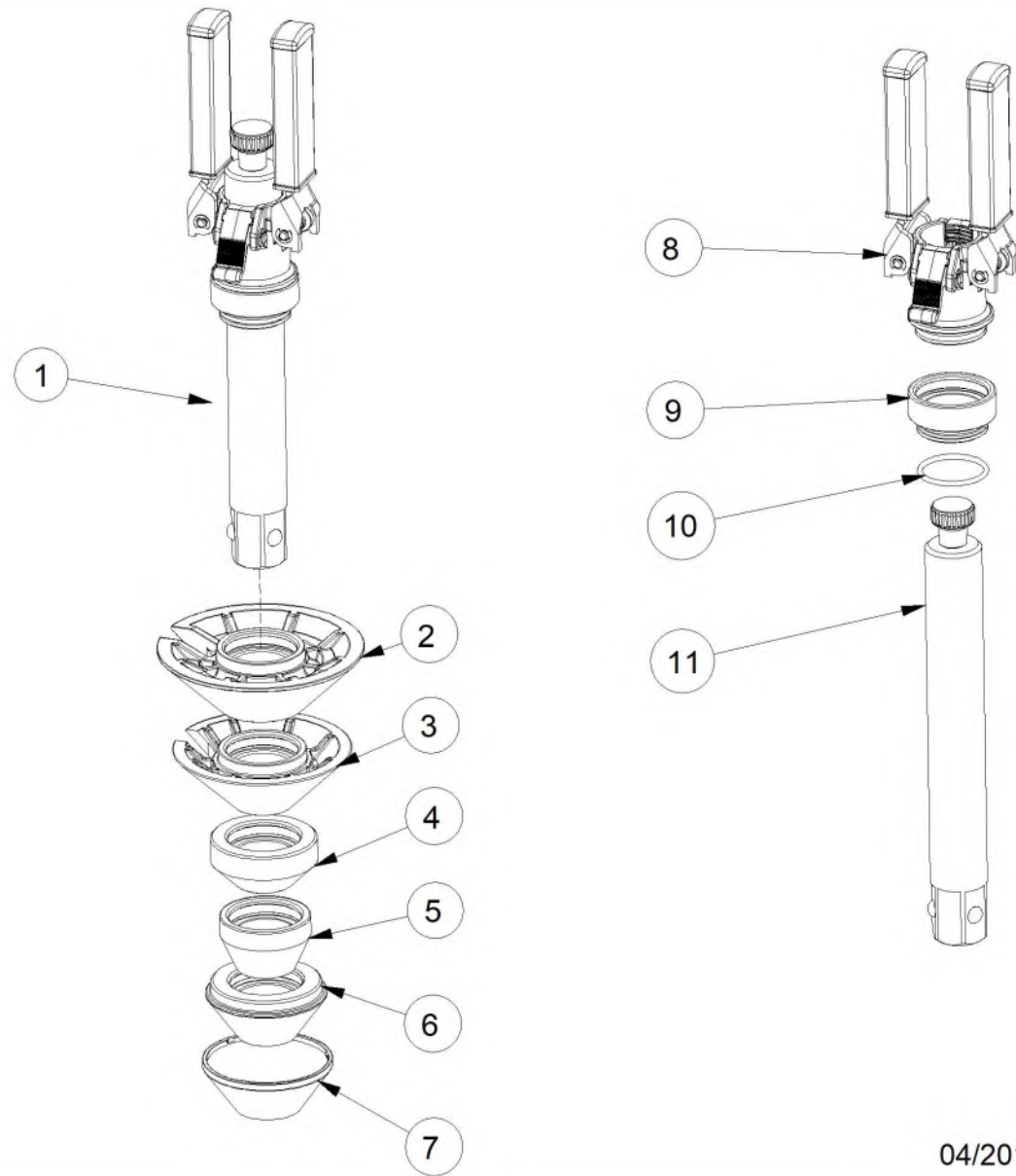
Pos	Code	Designation	Désignation	Designación	N.	Note	Nota	A	B	C
1	EAA0425G08A	CYLINDER BEAD BREAKER	VERIN DETALLONEUR	CILINDRO DESTALONADOR	1			X		X
2	EAM0067G34A	BEAD BREAKER CYLINDER FITTING SCREW	FIS FIXATION VERIN DETALONNEUR	TORNILLO FIJACIÓN CIL.DESTALON.	2			X		
3	EAK0330G76A	SPACERS KIT	KIT ENTRETOISES	KIT SEPARADORES	1				X	
4	EAS2154G70A	WELDED BB ARM	SUPPORT BRAS DETALONNEUR	SOPORTE BRAZO DESTALONADOR	1				X	
5	EAM0067G69A	SPRING-RECALL ARM, BEAD BREAKER	RESSORT RAPPEL BRAS DETALONNEUR	MUELLE REGRESO BRAZO DESTAL.	1			X		
6	EAM0117G64A	HINGE PIN, BEAD BREAKER	PIVOT CHARNIERE	PERNO BISAGRA	1				X	
7	EAA0472G19A	BB HANDLE GROUP	GRUPE POIGNEE BB	GRUPO MANILLA BB	1				X	
8	EAM0116G72A	BEAD BREAKER ARM PIN	PIVOT BRAS DETALLONEUR	PERO BRAZO DESTALONADOR	1				X	
9	1-33181A	MANUALLY OPERATED MICROVALVE	VALVE	VÁLVULA	1				X	
10	EAK0330G75A	BEADING ARM GROUP KIT	KIT GROUPE BRAS DETALONNEUR	KIT GRUPO BRAZO DESTALONADOR	1				X	
11	EAA0425G10A	BEAD BREAKER GROUP	GRUPE DETALONNEUR 8700	GRUPO DESTALONAR 8700	1				X	
12	EAA0328G72A	PIN - LOCK	GOUPILLE DE REGLAGE	ESPINA DE REGLAJE	1				X	
13	EAA0408G81A	BEAD BREAKER VALVE GROUP	GRUPE VALVE DETALONNEUR	GRUPO VÁLVULA DESTALONADOR	1				X	X
14	EAA0350G42A	VALVE + FITTING	SOUPAPE + RACCORD	VÁLVULA + CONEXIÓN	1		1/4"		X	X

A = available - disponible - disponible

B = on request - sur demande - a petición

C = suggested - suggeré - sugerido

EAZ0122G77A.A



04/2018

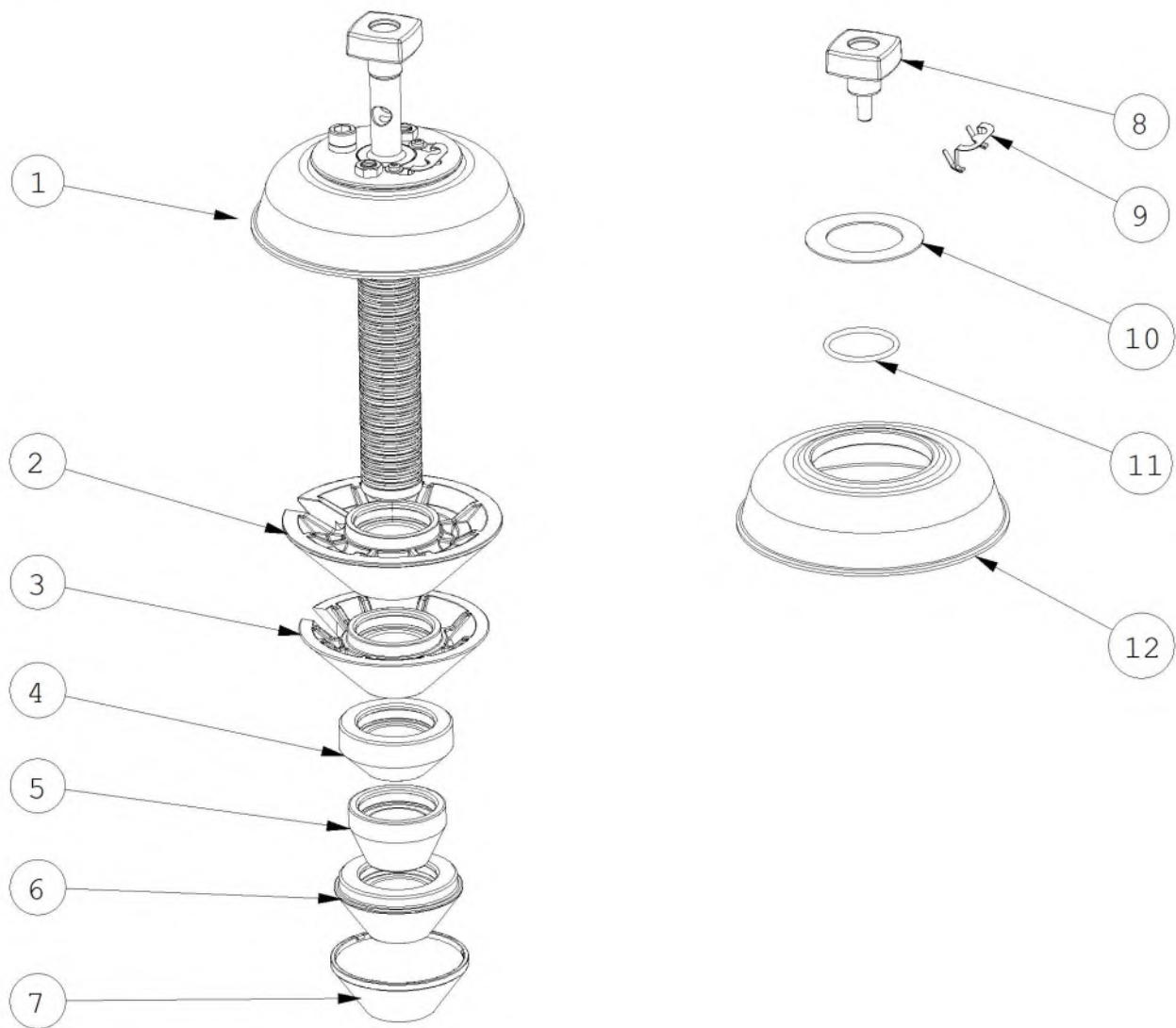
Pos	Code	Designation	Désignation	Designación	N.	Note	Nota	A	B	C
1	EAA0481G58A	LOCKING SHAFT MANUAL	ARBRE BLOCAGE MANUELLE	ÁRBOL DE BLOQUEO MANUAL	1				x	
1	EAA0534G94A	LOCKING SHAFT MANUAL	ARBRE BLOCAGE MANUELLE	ÁRBOL DE BLOQUEO MANUAL	1	FOR CSA LONG			x	
2	EAC0102G25A	REDUCTION CONE	CONE REDUCTION	CONO REDUCCIÓN	1				x	x
3	EAC0099G40A	REDUCTION CONE	CONE REDUCTION	CONO REDUCCIÓN	1				x	x
4	EAM0058G07A	REDUCTION CONE	CONE REDUCTION	CONO REDUCCIÓN	1				x	x
5	EAM0058G12A	REDUCTION CONE	CONE REDUCTION	CONO REDUCCIÓN	1				x	x
6	EAM0117G47A	D.85 mm STEEL CLAMPING CONE	CÔNE DE BLOCAGE D.85 EN ACIER	CONO DE BLOQUEO D.85mm DE ACERO	1				x	x
7	EAK0317G32A	D.85 mm CONES + PROTEC KIT	KIT CONE D.85 mm + PROTECTIONS	KIT CONO D.85 mm + PROTECCIONES	1				x	
8	EAA0348G20A	QUICK NUT	SERRAGE RAPIDE	ABRAZADERA RÁPIDA	1				x	
9	EAC0115G28A	NUT EXTENSION	RALLONGE ECROU DE SERRAGE	PROLONGADOR SUNCHO	1				x	
10	8-19814A	OR SEAL	JOINT OR	GUARNICION OR	1				x	
11	EAA0344G40A	SHAFT WHEEL STOP	ARBRE BLOCAGE ROUE	ÁRBOL BLOQUEO RUEDA	1				x	
11	EAA0426G39A	SHAFT WHEEL STOP	ARBRE BLOCAGE ROUE	ÁRBOL BLOQUEO RUEDA	1	FOR CSA LONG			x	

A = available - disponible - disponible

B = on request - sur demande - a petición

C = suggested - suggeré - sugerido

EAZ0122G80A.B



01/2019

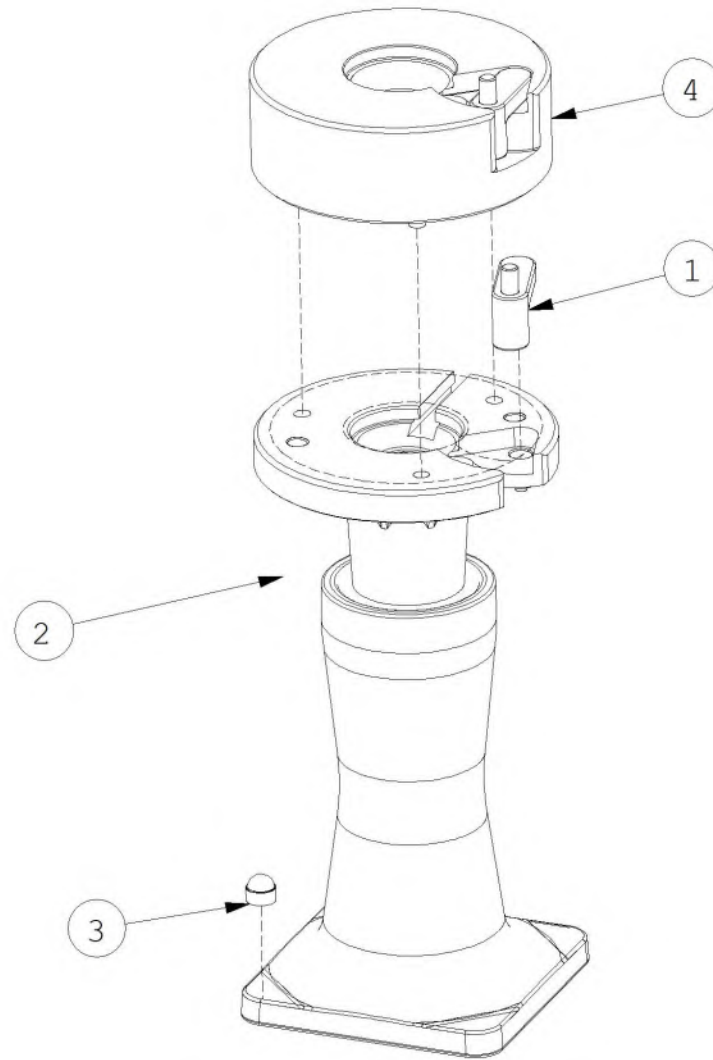
Pos	Code	Designation	Désignation	Designación	N.	Note	Nota	A	B	C
1	EAA0490G38A	LOCKING DEVICE	ARBRE DE BLOCAGE	EJE DE BLOQUEO	1				x	
1	EAA0534G93A	LOCKING DEVICE	ARBRE DE BLOCAGE	EJE DE BLOQUEO	1	FOR CSA			x	
2	EAC0102G25A	REDUCTION CONE	CONE REDUCTION	CONO REDUCCIÓN	1				x	x
3	EAC0099G40A	REDUCTION CONE	CONE REDUCTION	CONO REDUCCIÓN	1				x	x
4	EAM0058G07A	REDUCTION CONE	CONE REDUCTION	CONO REDUCCIÓN	1				x	x
5	EAM0058G12A	REDUCTION CONE	CONE REDUCTION	CONO REDUCCIÓN	1				x	x
6	EAM0117G47A	D.85 mm STEEL CLAMPING CONE	CÔNE DE BLOCAGE D.85 EN ACIER	CONO DE BLOQUEO D.85mm DE ACERO	1				x	x
7	EAK0317G32A	D.85 mm CONES + PROTEC KIT	KIT CONE D.85 mm + PROTECTIONS	KIT CONO D.85 mm + PROTECCIONES	1				x	x
8	1-02912A	KNOB	POMMEAU	POMO	1				x	
9	EAM0102G51A	SPRING	RESSORT	MUELLE	1				x	
10	EAM0102G49A	WASHER	RONDELLE	ARANDELA	1				x	
11	8-19814A	OR SEAL	JOINT OR	GUARNICION OR	1				x	
12	EAC0126G29A	PROTECTION FOR LOCKING SHAFT	PROTECTION ARBRE DE BLOCAGE	PROTECCIÓN EJE DE BLOQUEO	1				x	x

A = available - disponible - disponible

B = on request - sur demande - a petición

C = suggested - suggeré - sugerido

EAZ0122G68A.C



12/2021

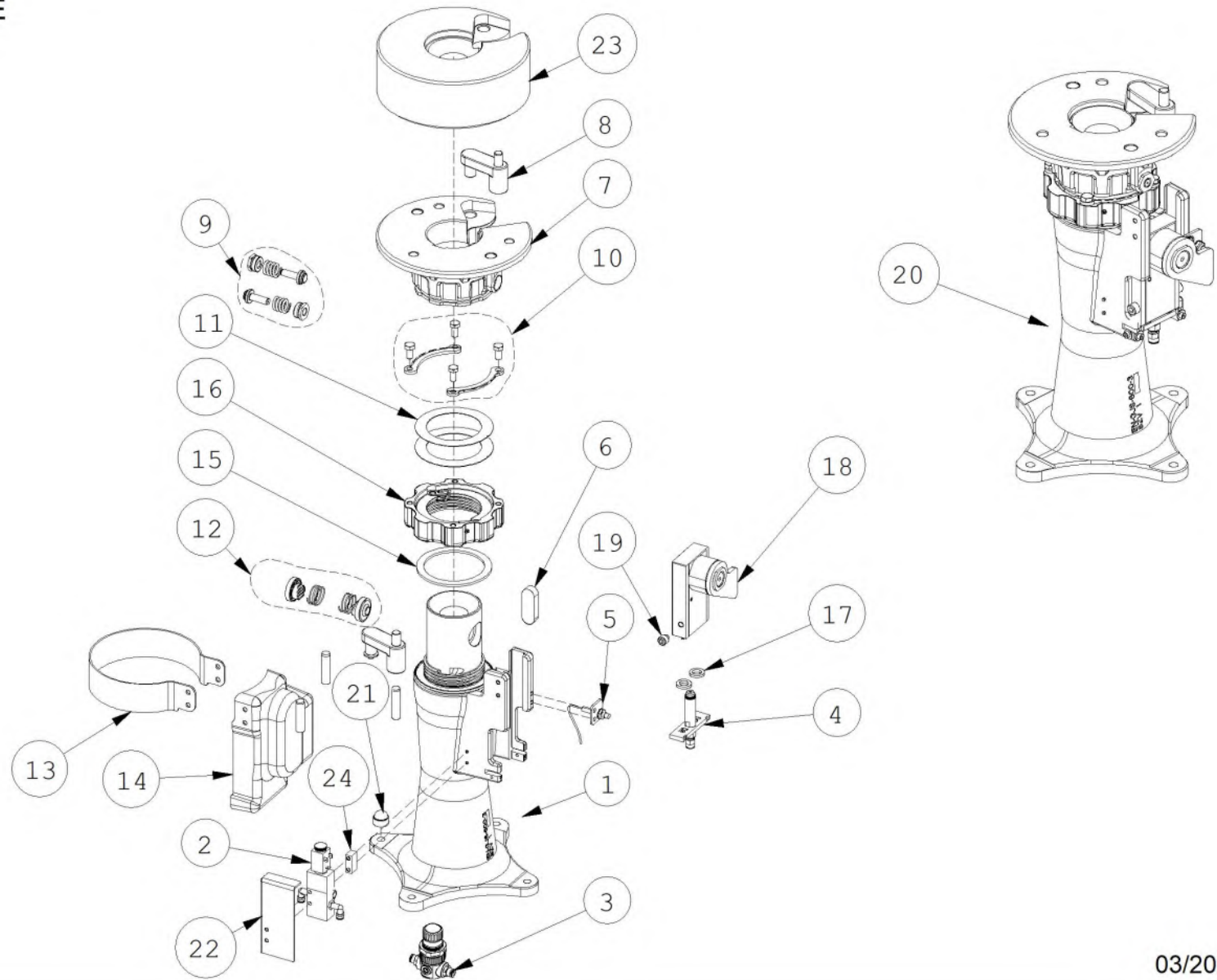
Pos	Code	Designation	Désignation	Designación	N.	Note	Nota	A	B	C
1	EAA0344G39A	ASSY, ANTI-ROTATION	JEU ANTI-ROTATION	JUEGO ANTI-ROTACION	1				x	
2	EAA0371G59A	CENTER POST, ASSEMBLED	SUPPORT ROUE COMPLET	SOPORTE RUEDA COMPLETO	1				x	
3	EAC0113G74A	PROTECTION NUT	PROTECTION ECROU	PROTECCIÓN TUERCA	6			X		
4	EAA0534G92A	SPACER	ENTRETOISE	DISTANCIADOR	1	3"	CSA		X	

A = available - disponible - disponible

B = on request - sur demande - a petición

C = suggested - suggeré - sugerido

EAZ0137G83A.E



03/2022

Pos	Code	Designation	Désignation	Designación	N.	Note	Nota	A	B	C
1	EAA0502G89A	CENTER POST ASSEMBLY	GROUPE CENTERPOST	GRUPO CENTERPOST	1			X		
2	EAA0425G80A	ASSY 5/2 WAY SOL. VALVE, G1/8 MONOST.	GROUPE ELECTROVANNE 5/2,G1/8 MONOST.	GRUPO ELECTROVÁLVULA 5/2,G1/8 MONOST.	1			X		X
3	EAA0490G90A	FLOW REGULATION VALVE+FITTINGS	VANNE REGUL. FLUX UNIDIR. + RACCORDS	VÁLVULA REGUL. FLUJO UNIDIREC.+RACOR	1			X		
4	EAA0490G42A	ASSEMBLED NOZZLE GROUP	GROUPE PRÉ-ASSEMBLÉ BUSE COULISSE	GRUPO PREMONTADO BOQUILLA CORREDER	1			X		X
5	EAK0375G05A	PROXIMITY + SUPPORT KIT	CAPTEUR DE PROXIMITE + SUPPORT	SENSOR PROXIMITY + SOPORTE	1			X		
5	EAK0375G54A	PROXIMITY + SUPPORT KIT	CAPTEUR DE PROXIMITE + SUPPORT	SENSOR PROXIMITY + SOPORTE	1		CSA	X		
6	EAM0101G15A	STOPPING FLAT KEY	LANGUETTE DE BLOCAGE	LENGUETA DE BLOQ.	1			X		
7	EAA0472G61A	WHEEL POSITIONING ASSY.	GROUPE DE POSITIONNEMENT ROUE	GRUPO DE POSICIONAMIENTO RUEDA	1			X		
8	EAA0344G39A	ASSY, ANTI-ROTATION	JEU ANTI-ROTATION	JUEGO ANTI-ROTACION	1				X	
9	EAK0316G34A	WEDGES KIT	KIT COINS	KIT CUÑAS	1				X	
10	EAK0317G05A	KIT RETAINER TOP PLATE	GROUPE ONDULEUR	KIT BLOQUEO BRIDA SUPERIOR	1			X		
11	EAM0192G70A	SPACER	ENTRETOISE	SEPARADOR	2				X	
12	EAK0330G52A	INNER THREADED CURSOR KIT	KIT CURSEURS DE BLOCAGE	KIT CURSORES DE BLOQUEO	1				X	
13	EAS2238G22A	LOCKING NUT COVER	COUVERTURE ECROU DE SERRAGE	COBERTURA ABRAZADERA DE FIJACIÓN	1				X	
14	EAC0127G32A	SLIDING ROLLER COVER	CARTER COULISSEAU	CÁRTER CORREDERA	1				X	
15	EAM0154G32A	DAMPING WASHER	RONDELLE	ARANDELA	1			X		X
16	EAA0425G00B	LOCKING NUT GROUP	KIT ECROU DE BLOCAGE	GRUPO TUERCA BLOQ	1				X	

A = available - disponible - disponible

B = on request - sur demande - a petición

C = suggested - suggeré - sugerido

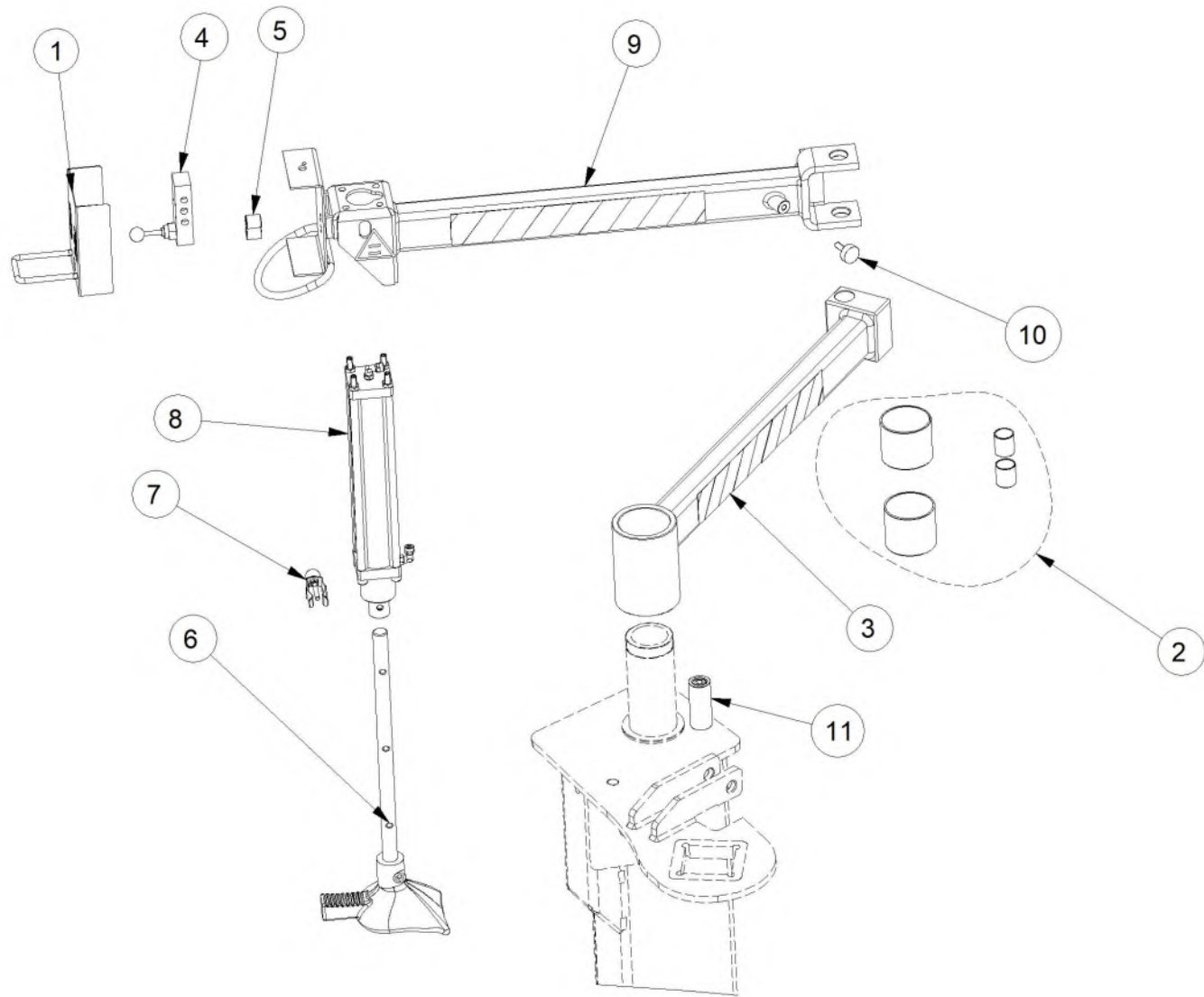
Pos	Code	Designation	Désignation	Designaciòn	N.	Note	Nota	A	B	C
17	EAM0153G89A	DUMP.WASHER	RONDELLE	ARANDELA	2				X	
18	EAA0490G68B	TORQUE CONTROL ASSEMBLY	GROUPE DE CONTROLE BLOCAGE	TORQUE CONTROL ASSEMBLY	1			X		
19	EAM0141G83A	CUT M8 SCREW	VIS M8 USINEE	TORNILLO M8 TRABAJADO	2			X		
20	EAA0502G90A	CENTER POST ASSEMBLY VA	GROUPE CENTERPOST VA	CENTER POST ASSEMBLY VA	1				X	
21	EAC0113G74A	PROTECTION NUT	PROTECTION ECROU	PROTECCIÓN TUERCA	6			X		
22	EAS2239G06A	VALVE PROTECTION	PROTECTION SOUPAPE	PROTECCIÓN VÁLVULA	1				X	
23	EAA0534G92A	SPACER	ENTRETOISE	DISTANCIADOR	1		CSA 3"		X	
24	EAM0192G67A	SPACER	ENTRETOISE	SEPARADOR	1		CSA		X	

A = available - disponible - disponible

B = on request - sur demande - a petición

C = suggested - suggeré - sugerido

EAZ0122G58A.B



10/2018

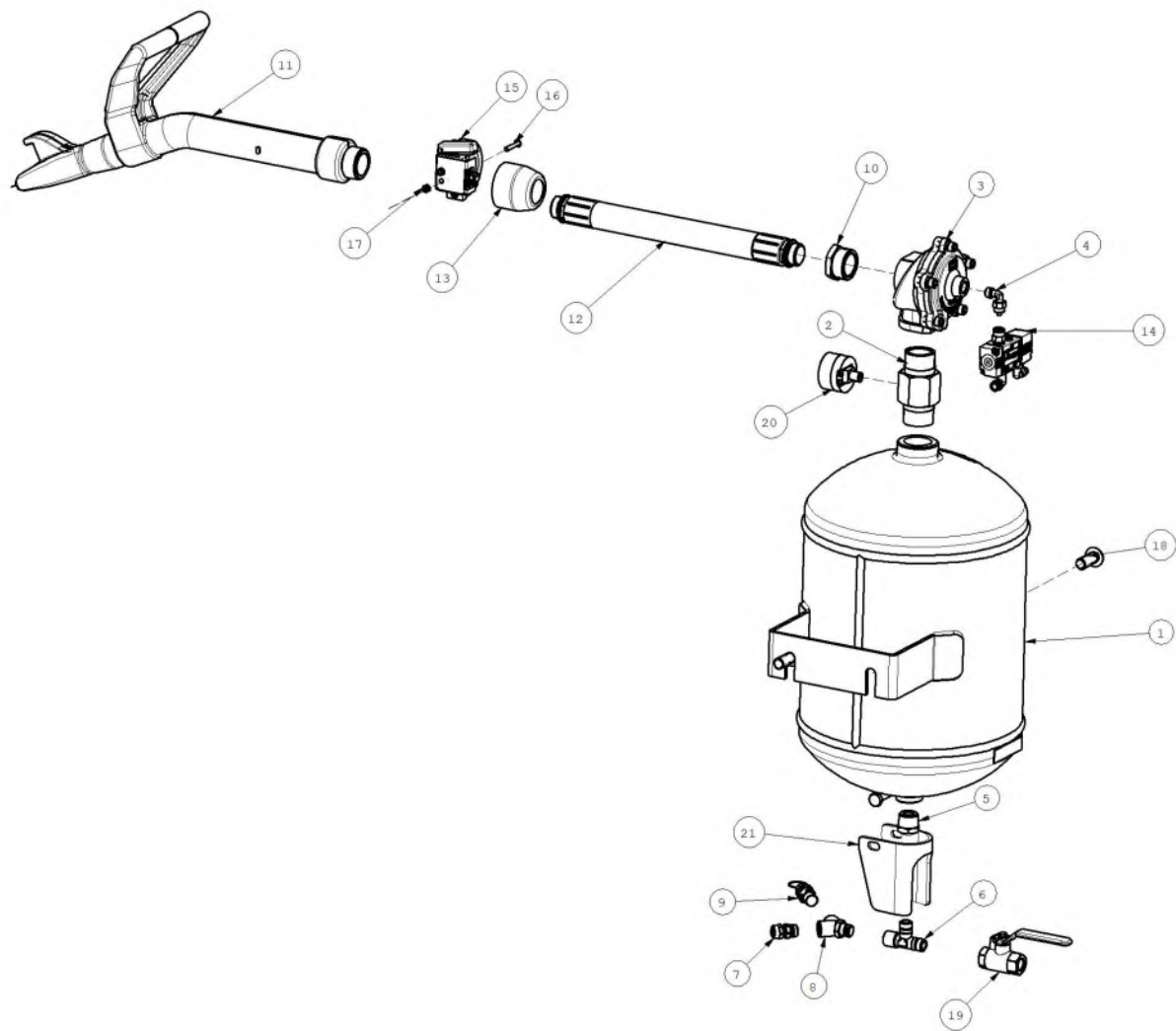
Pos	Code	Designation	Désignation	Designación	N.	Note	Nota	A	B	C
1	EAK0330G80A	VALVE, CONTROLS	SOUPAPE CONTROLE	VALVULA MANDO	1				X	
2	EAK0330G78A	UPPER ARM BUSHING KIT	KIT BAGUES BRAS SUPERIEUR	KIT CASQUILLOS BRAZO SUPERIOR	1				X	
3	EAA0481G92A	UPPER ARM GROUP	GROUPE BRAS SUPERIEUR	GRUPO BRAZO SUPERIOR	1				X	
4	EAA0328G73A	VALVE, CONTROLS	SOUPAPE CONTROLE	VALVULA MANDO	1			X		x
5	EAK0330G79A	ANTIROTATION BUSHING KIT	KIT BAGUES ANTI-ROTATION	KIT CASQUILLOS ANTIRROTACIÓN	1				X	
6	EAA0503G76A	EXTENSION WITH TOOL	EXTENSION AVEC OUTIL	ALARGO CON HERRAMIENTA	1				X	
7	EAA0350G67A	CLIPS FOR EXTENSION	ACCROCHAGE EXTENSION	ENGANCHE EXTENSIÓN	1					x
8	EAA0345G61A	CYLINDER	VERIN AVEC RALLONGE	CILINDRO CON ALARGADOR	1	D50		X		x
9	EAA0457G46A	ARM, CYLINDER SUPPORT	BRAS SUPPORT CYLINDRE	BRAZO SOPORTE CYLINDRO	1				X	
10	8-14418A	BUMPER 25x10 / M8x25	BUTOIR 25x10 / M8x25	BUMPER 25x10 / M8x25	1				X	
11	EAM0161G89A	REAR BUSHING	BAGUE ARRIERE	CASQUILLO POSTERIOR	1				X	

A = available - disponible - disponible

B = on request - sur demande - a petición

C = suggested - suggeré - sugerido

EAZ0137G22A.B



Pos	Code	Designation	Désignation	Designación	N.	Note Nota	A	B	C
1	EAS2115G63A	TANK INFLATOR "ASME" 16LT GREY R7012	RESERVOIR GT "ASME" 16 lt GRIS R7012	DEPÓSITO GT "ASME" 16 lt GRIS R7012	1		X		
2	EAM0091G48A	NIPPLE, CONIC 1" SPEC.	ARRET CONIQUE 1"	NIPLE CÓNICO 1"	1	SPECIAL		X	
3	1-29581A	VALVE,AIR-CONTROLLED	SOUPAPE COMAN.PNEUM.	VÁLVULA DE MANDO NEUMÁTICO	1		X		X
4	1-17179A	ELBOW FITTING "L" 4X6 1/4"	RACCORD A L 4X6 1/4"	CONEXIÓN DE TORNILLO EN "L" 4X6 1/4"	1		X		
5	1-19879A	REDUCTION, MF	REDUCTION MF	REDUCCION MF	1	1-3/8" GAS		X	
6	1-30679A	T FITTING	RACCORD EN T	CONEXIÓN EN T	1	CAMOZZI 1/4 S2050 MMF	X		
7	1-16879A	FITTING STRAIGHT	RACCORD DROIT	CONEXIÓN RECTO	1		X		
8	1-30579A	Y FITTING	RACCORD EN Y	CONEXIÓN EN Y	1	CAMOZZI 1/4 S2040 FFM	X		
9	1-31381A	VALVE, ASME SAFETY, 1/4" BSPT	SOUPAPE DE SURETE	VALVULA DE SEGURIDAD	1		X		X
10	1-16179A	REDUCTION MF 1"-3/4	REDUCTION MF 1"-3/4	REDUCCION MF 1"-3/4	1			X	
11	EAA0345G60A	NOZZLE GT ASSEMBLED	BUSE GT COMPLET	INYECTOR GT COMPLETO	1	only for GP top side		x	
12	EAA0503G11A	GT HOSE INFLATION ASSEMBLED	TUYAU GT GONFLER ASSEMBLE	TUBO GT HINCHADOR ASSEMBLED	1			X	
13	EAS2109G90A	NOZZLE TI PROTECTION	PROTECTION BUSE	PROTECCIÓN INYECTOR	1			X	
14	EAA0357G10A	TUBELESS DRIVE VALVE	SOUPAPE MANDE TUBELESS	VALVULA HINCHADO TUBELESS	1			X	
15	EAA0357G09A	BEAD INFLATOR CONTROL VALVE	VANNE ACTIONEMMENT DETALLONNER	VALVULA ACCIONAMIENTO DESTALONADORA	1			X	
16	1-42509A	SCREW	VIS	TORNILLO	3	M4X25 8K ISO 7380		X	
17	1-9733	SELF LOCKING NUT	ECROU AUTOBLOQUANT	TUERCA AUTOBLOQUEO	3	M4		X	

A = available - disponible - disponible

B = on request - sur demande - a petición

C = suggested - suggeré - sugerido

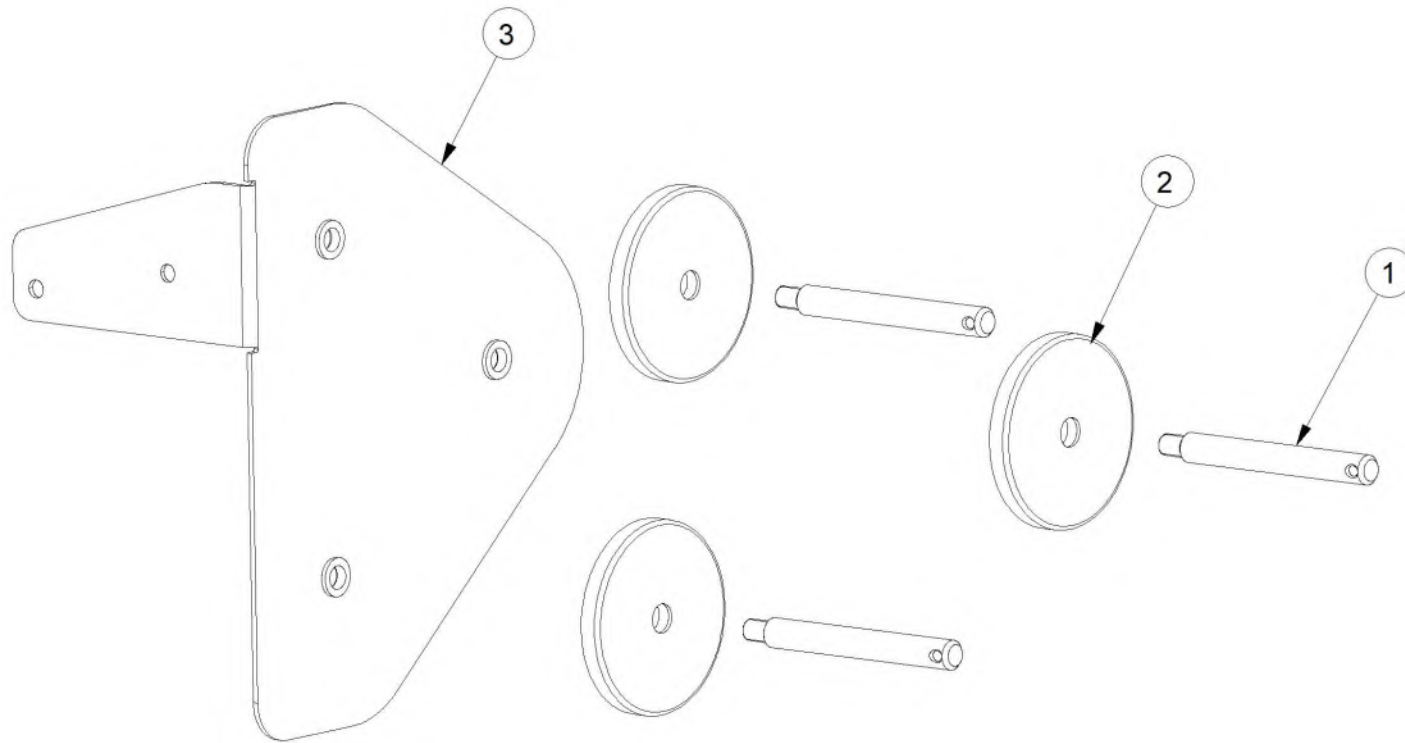
Pos	Code	Designation	Désignation	Designación	N.	Note	Nota	A	B	C
18	1-58409A	SCREW	VIS	TORNILLO	2	M12X30 8K		X		
19	1-27181A	1/4" BALL VALVE, 600WOG	ROBINET EVACUATION DES CONDENSATS	LLAVE DESCARGA CONDENSATION 1/4"	1	ISO 7380 ASME		X		
20	8-06620A	GAUGE, 1/8" REAR CONNECTION, 0-25 bar S	MANOMETRE , RACCORD ARRIERE 1/8" SCAL	MANÓMETRO CONEXIÓN TRAS. 1/8" SCAL	1				X	
21	EAS2228G21A	PROTECTION	PROTECTION	PROTECCIÓN	1			X		

A = available - disponible - disponible

B = on request - sur demande - a petición

C = suggested - suggeré - sugerido

EAZ0122G63A.A



04/2018

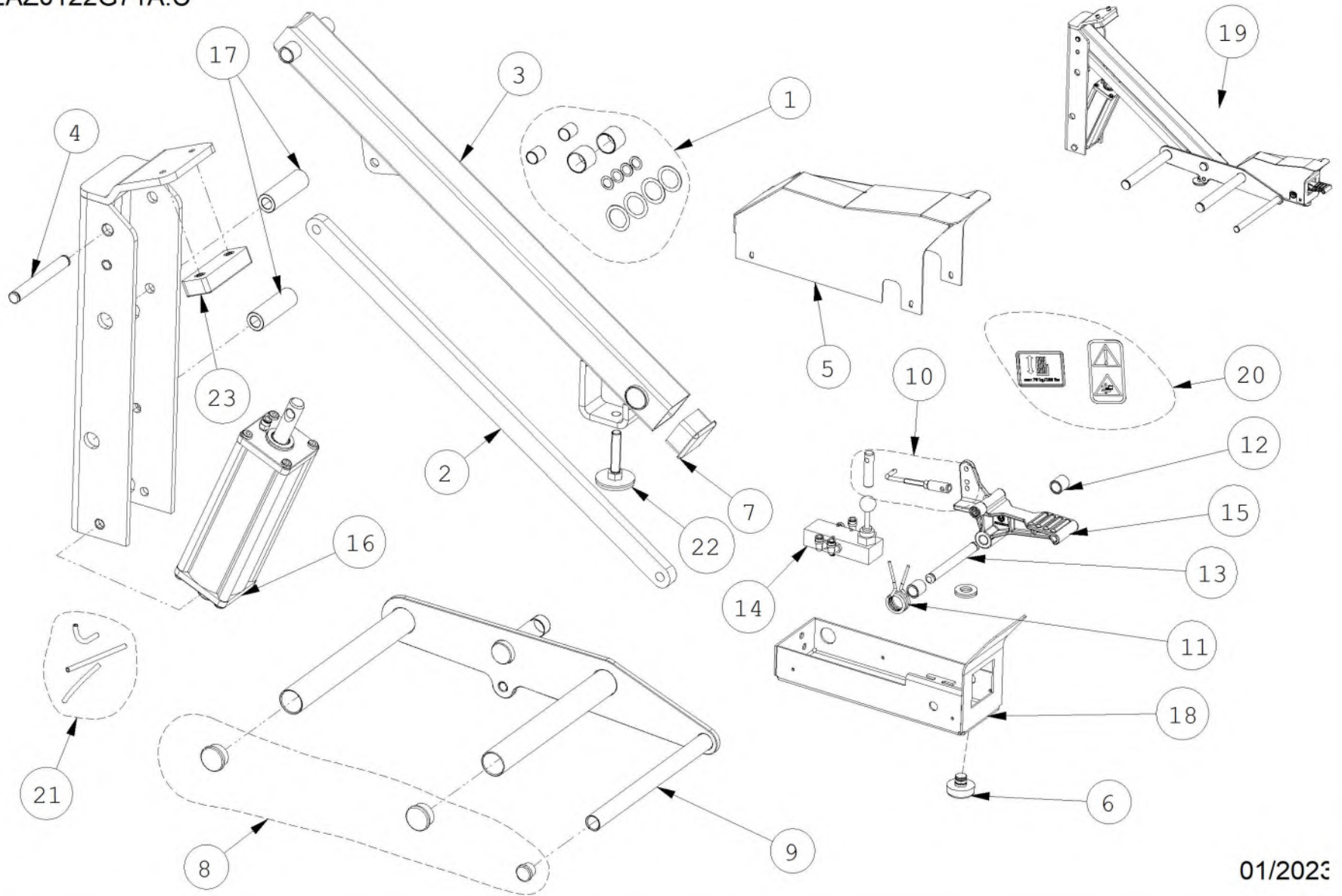
Pos	Code	Designation	Désignation	Designación	N.	Note	Nota	A	B	C
1	EAM0006G01A	FLANGE HOLDER PIN	AXE PORTE-FLASQUES	PERNO PORTA BRIDAS	3			X		
2	EAC0060G02A	FLANGES PROTECTION	PROTECTION FLASQUES	PROTECCIÓN BRIDAS	3				X	
3	EAA0481G94A	SUPPORTO FOR PEGS	SUPPORT CONES	SOPORTE CONOS	1				X	

A = available - disponible - disponible

B = on request - sur demande - a petición

C = suggested - suggeré - sugerido

EAZ0122G71A.C



01/2023

Pos	Code	Designation	Désignation	Designación	N.	Note	Nota	A	B	C
1	EAS2188G56A	COVER	CARTER	CÁRTER	1			x		
2	EAM0056G37A	REACTION ARM	BRAS REACTION	BRAZO REACCIÓN	1				x	
3	EAA0481G91A	WHEEL LIFTER ARM GROUP	GROUPE BRAS ELEVATEUR	GRUPO BRAZO ELEVADOR	1				x	
4	EAM0056G38A	FULCRUM PIN	ARBRE PIVOT	PERNO DE PIVOTE	1				x	
5	EAS2188G56A	COVER	CARTER	CÁRTER	1			x		x
6	EAC0078G30A	SLIDING JAW PROTECTION	PROTECTION COINS COULISSANTS	PROTECCIÓN CUNEOS CURSORS	1				x	
7	8-11418A	SQUARE BUMPER	BOUCHON TUBE CARRE	TAPÓN PARA TUBO CUADRADO	1				x	
8	EAK0330G74A	CAPS KIT	KIT BOUCHONS	KIT TAPONES	1				x	
9	EAS2098G49A	WHEEL LIFTER	ELEVATEUR ROUE	ELEVADOR RUEDA	1				x	
10	EAK0330G73A	LIFTER VALVE LEVER KIT	KIT LEVIER COMMANDE VANNE ELEVATEUR	KIT PALANCA MANDO VÁLVULA ELEVADOR	1				x	
11	EAM0048G78A	SPRING, PEDAL SWITCH	RESSORT, PEDAL INTERRUPTEUR	MUELLE PEDAL INTERRUPTOR	1			X		
12	EAM0048G79A	BUSHING, CENTERING- SPRING	COQUILLE SIEGE RESSORT	CASQUILLO CENTRADO MUELLE	2				X	
13	EAM0082G14A	PIN	AXE	PERNO	1				x	
14	EAA0349G00A	VALVE	SOUPAPE	VÁLVULA	1			x		x
15	EAA0356G92A	RIGHT SWITCH FOOT PEDAL	PEDALE INTERRUPTEUR DROIT	PEDAL INTERRUPTOR DER.	1				x	
16	EAA0344G93A	CYLINDER SQUARE SECTION	VERIN SECTION CARREE	CILINDRO SECCIÓN CUADRADA	1			x		x
17	EAM0081G78A	SPACER	ENTRETOISE	DISTANCIADOR	2				x	

A = available - disponible - disponible

B = on request - sur demande - a petición

C = suggested - suggeré - sugerido

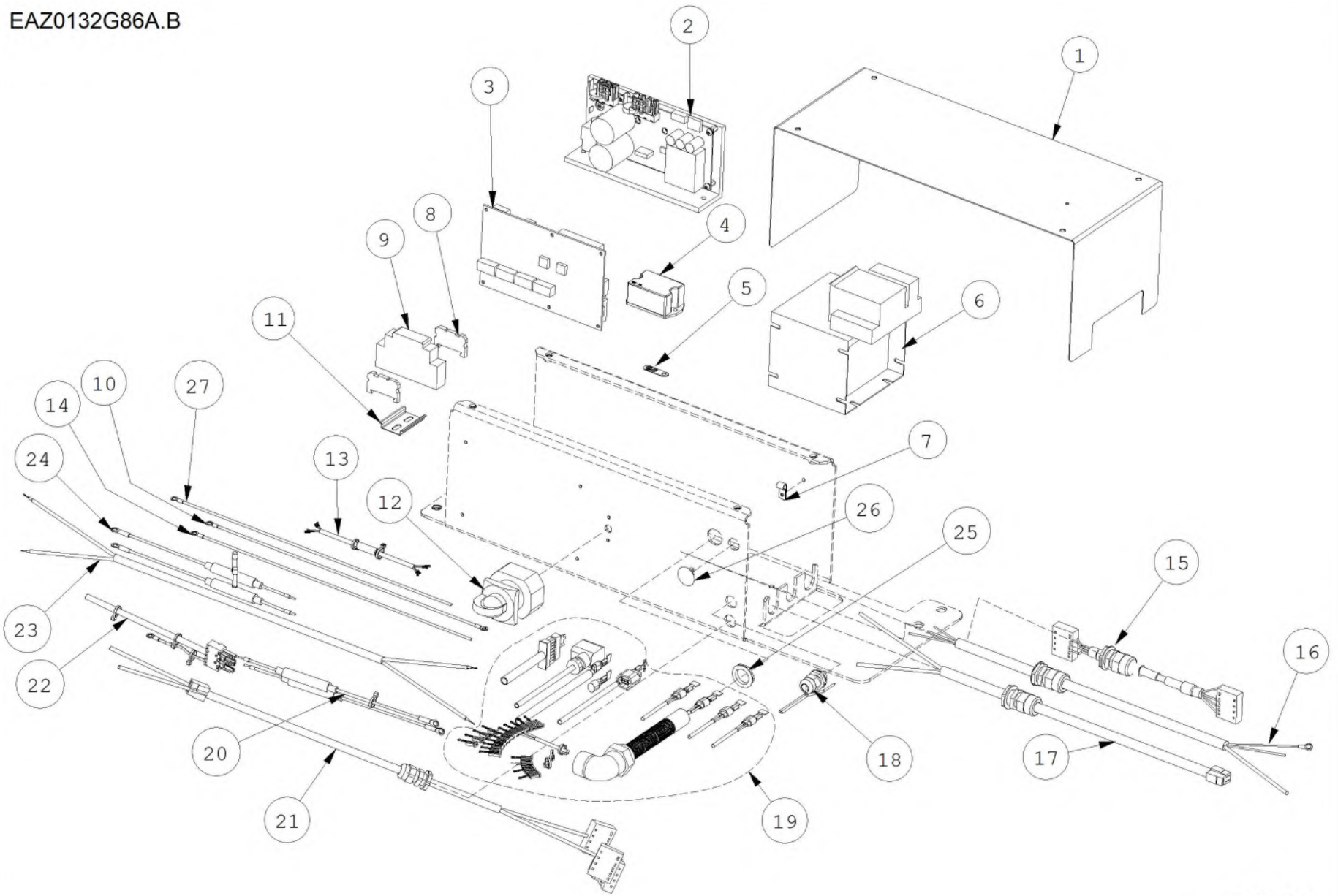
Pos	Code	Designation	Désignation	Designaciòn	N.	Note	Nota	A	B	C
18	EAS2131G17A	BASE FOR LIFTER PEDAL	BATI PEDALE ELEVATEUR	BASE PEDAL ELEVADOR	1				x	
19	EAA0377G29A	LIFTER COMPLETE GROUP	GROUPE ELEVATEUR COMPLET	GRUPO ELEVADOR COMPLETO	1				x	
20	EAK0341G10A	WHEEL LIFT LABEL KIT	KIT ETIQUETTES ELEVATEUR ROUE	KIT ETIQUETAS ELEVADOR RUEDA	1				x	
21	EAK0341G24A	SET HOSES FOR LIFT	KIT TUBES ELEVATEUR	KIT TUBOS ELEVADOR	1				x	
22	8-16218A	FOOT WITH THREADED STEM	PIED	PIE	1				x	
23	EAM0080G29A	CLAMP, OVERTURNING	ARRET POTENCE BASCULANTE	TOPE POSTE VOLCABLE	1				x	

A = available - disponible - disponible

B = on request - sur demande - a petición

C = suggested - suggeré - sugerido

EAZ0132G86A.B



08/2019

Pos	Code	Designation	Désignation	Designación	N.	Note	Nota	A	B	C
1	EAS2169G92A	ELECTRIC BOX COVER	COUVERCLE BOITIER ELECTRIQUE	TAPA CUADRO ELÉCTRICO	1				X	
2	EAA0503G74A	ENHANCED INVERTER ASSEMBLY	ENSEMBLE ONDULEUR AVANCE	CONJUNTO INVERSOR AVANZADO	1			X		X
3	EAP0290G80A	CONTROL BOARD	CARTE COMMANDES	ESQUEDA MANDOS	1			X		X
4	2-28840A	RECTIFIER BRIDGE 400V 86A	PONT REDRESSEUR 400V 86A	PUENTE RECTIFICADOR 400V 86A	1			X		X
5	EAL0413G31A	GROUND LABEL	SIGNAL TERRE	TARJETA SÍMBOLO TIERRA	1			X		X
6	7-17701A	POWER TRANSFORMER 115-230VAC UL-CSA	POWER TRANSFORMER 115-230VAC UL-CSA	POWER TRANSFORMER 115-230VAC UL-CSA	1			X		
7	5-08745A	ALUMINIUM CABLE CLIP	CLIP POUR CABLES ALUMINIUM	CLIP PARA CABLES DE ALUMINIO	1				X	
8	2-07533A	BLOCK, TERMINAL BOARD	BUTEE BOITE A BORNES	BLOQUEO TERMINAL	2	OPTION		X		
9	2-75266A	12VDC 10W POWER SUPPLY	ALIMENTATEUR 12 VCC 10 W	ALIMENTADOR 12CC 10W	1	OPTION		X		
10	EAW0286G15A	GROUND CABLE L=400MM	CABLE DE TERRE L=400 MM	CABLE DE TIERRA L=400MM	1			X		
11	2-49766A	DRILLED ROD NS 35/7,5	TIGE PERFOREE NS 35/7,5	BARRA PERFORADA NS35/7,5	1	OPTION		X		
12	2-14861A	BIPOLAR POWER SWITCH	INTERRUPTEUR BIPOLAIRE 25A	INTERRUPTOR BIPOLAR 25A	1			X		
13	EAW0286G80A	CABLE	CABLE	CABLE	1			X		
14	EAW0286G88A	GROUNDING CABLE L=350 UL/CSA	CABLE MISE A TERRE	CABLE TOMA A TIERRA	1			X		
15	EAW0283G91A	INVERTER MOTOR CABLE	CABLE MOTEUR ONDULEUR	CABLE MOTOR INVERSOR	1	NA		X		
15	EAW0287G38A	CONTROL HARNESS	CABLAGE COMMANDES	CABLEADO MANDOS	1	CSA		X		
16	EAW0286G81A	MAINS CABLE	CABLE ALIMENTATION	CABLE DE ALIMENTACIÓN	1			X		

A = available - disponible - disponible

B = on request - sur demande - a petición

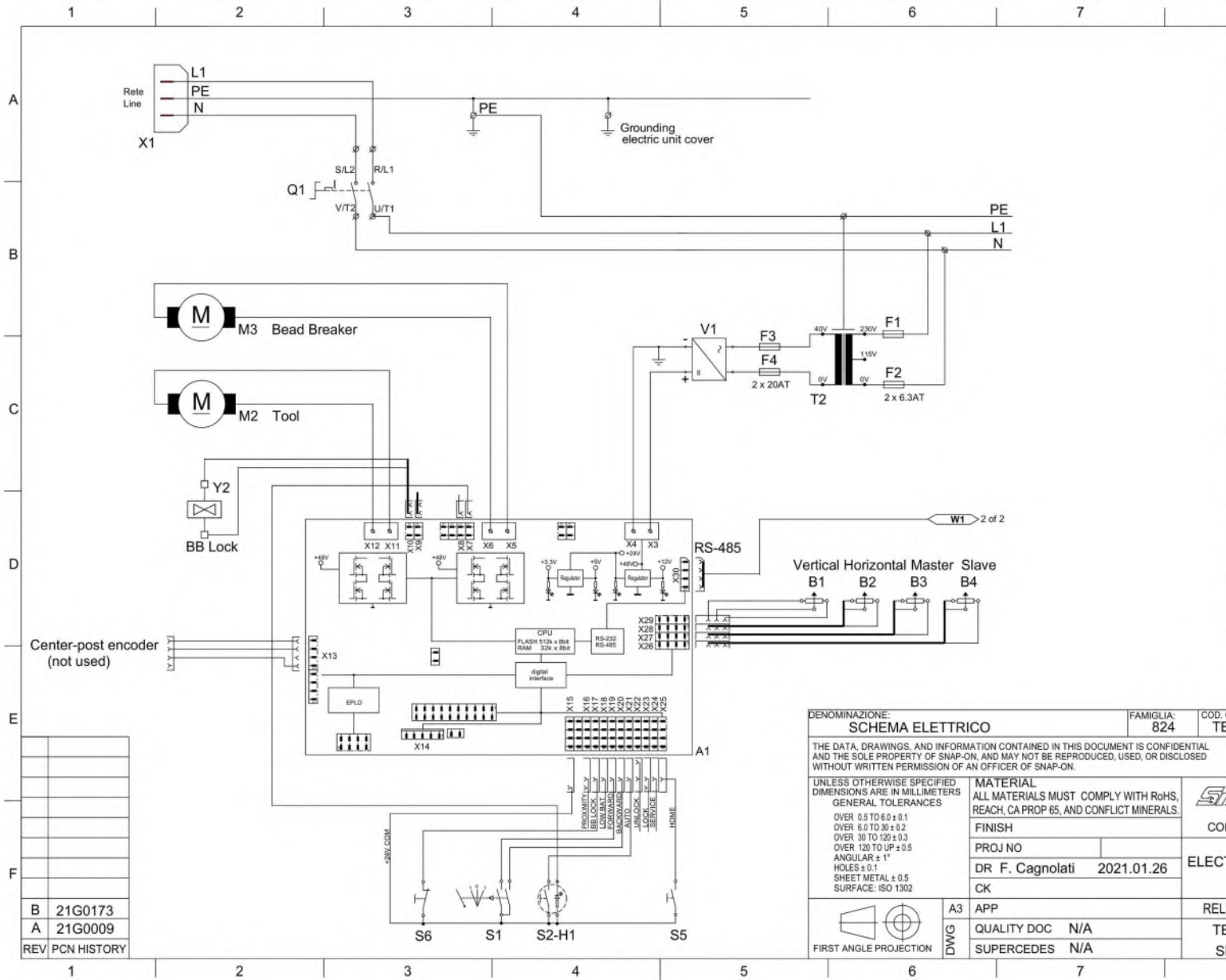
C = suggested - suggeré - sugerido

Pos	Code	Designation	Désignation	Designación	N.	Note	Nota	A	B	C
17	EAW0286G83A	48V MOTOR CABLE UL/CSA	CABLE MOTEUR 48V	CABLE MOTOR 48V	1			X		
18	EAW0287G63A	POWER SUPPLY, VIDEO AND LIGHT CABLE	CABLE ALIMENTATION, VIDEO, LAMPE	CABLE ALIMENTACIÓN, VÍDEO, LÁMPARA	1	OPTION			X	
19	EAW0286G87A	CONTROL HARNESS	CABLAGE COMMANDES	CABLEADO MANDOS	1	NA		X		
19	EAW0287G29A	CONTROL HARNESS	CABLAGE COMMANDES	CABLEADO MANDOS	1	CSA		X		
19	EAW0287G40A	CONTROL HARNESS	CABLAGE COMMANDES	CABLEADO MANDOS	1	PROXIMITY		X		
19	EAW0287G53A	CONTROL HARNESS	CABLAGE COMMANDES	CABLEADO MANDOS	1	PROXIMITY-CSA		X		
20	EAW0286G79A	CONTROLLER BOARD SUPPLY CABLE UL/CSA/ CARTE ALIMENTATION CABLE		TARJETA ALIMENTACIÓN CABLE	1			X		
21	EAW0286G84A	ACTUATOR MOTOR CABLE	CABLE MOTEUR ACTIONNEUR	CABLE MOTOR ACTUADOR	1			X		
22	EAW0286G82A	INVERTER POWER SUPPLY CABLE UL/CSA	CONVERTISSEUR ALIMENTATION CABLE	CABLE ALIMENTACIÓN INVERSOR	1			X		
23	EAW0286G85A	POWER SUPPLY CABLE	CABLE SECTEUR	CABLE ELÉCTRICO	1			X		
24	EAW0286G78A	BRIDGE RECTIFIER CABLE	CABLE PONT DE REDRESSEMENT	CABLE PUENTE RECTIFICADOR	2			X		
25	1-04783A	HEXAGONAL LOCKNUT	ECROU HEXAGONALE	TUERCA HEXAGONAL	1				X	
26	1-09076A	CAP CLOSING	COUVERCLE FERMETURE	TAPA CIERRE	1			X		
27	EAW0286G93A	TRANSFORMER GROUNDING CABLE UL/CSA	CABLE MISE A TERRE	CABLE TOMA A TIERRA	1			X		

A = available - disponible - disponible


B = on request - sur demande - a petición

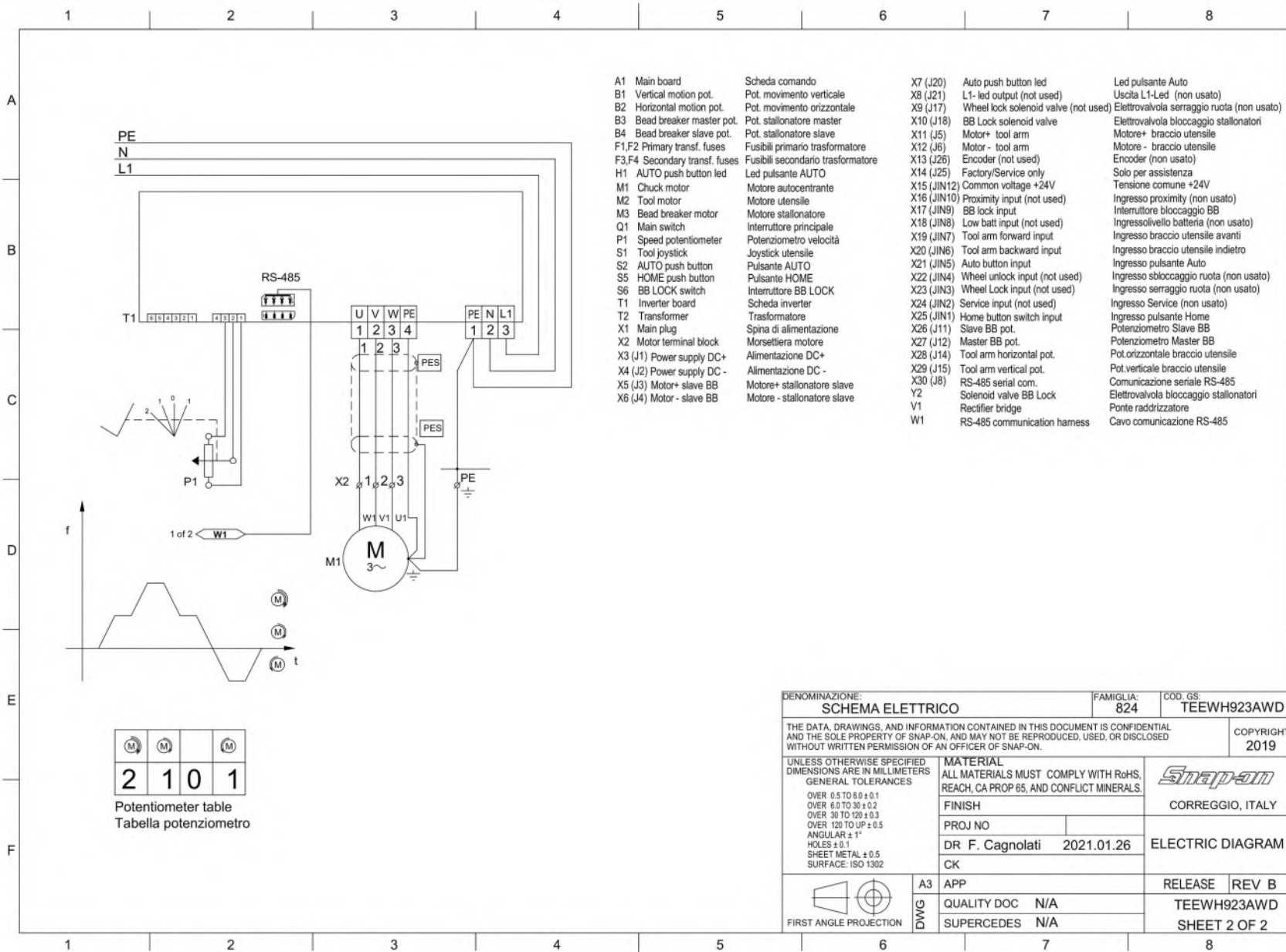
C = suggested - suggeré - sugerido



REV	CHANGES - MODIFICHE	DATE	NAME
B	Added encoder connection and updated parts reference designators.	2021.06.30	F. Cagnolati
A	Production release	2021.01.26	F. Cagnolati

REV	PCN HISTORY
B	21G0173
A	21G0009

DENOMINAZIONE: SCHEMA ELETTRICO		FAMIGLIA: 824	COD. GS: TEEWH923AWD
THE DATA, DRAWINGS, AND INFORMATION CONTAINED IN THIS DOCUMENT IS CONFIDENTIAL AND THE SOLE PROPERTY OF SNAP-ON, AND MAY NOT BE REPRODUCED, USED, OR DISCLOSED WITHOUT WRITTEN PERMISSION OF AN OFFICER OF SNAP-ON.			COPYRIGHT 2019
UNLESS OTHERWISE SPECIFIED DIMENSIONS ARE IN MILLIMETERS GENERAL TOLERANCES	MATERIAL ALL MATERIALS MUST COMPLY WITH RoHS, REACH, CA PROP 65, AND CONFLICT MINERALS.	 CORREGGIO, ITALY ELECTRIC DIAGRAM	
OVER 0.5 TO 6.0 ± 0.1 OVER 6.0 TO 30 ± 0.2 OVER 30 TO 120 ± 0.3 OVER 120 TO UP ± 0.5 ANGULAR ± 1° HOLES ± 0.1 SHEET METAL ± 0.5 SURFACE: ISO 1302	FINISH PROJ NO DR F. Cagnolati 2021.01.26 CK		
 FIRST ANGLE PROJECTION	A3 APP	RELEASE	REV B
	DWG QUALITY DOC N/A SUPERCEDES N/A	TEEWH923AWD SHEET 1 OF 2	

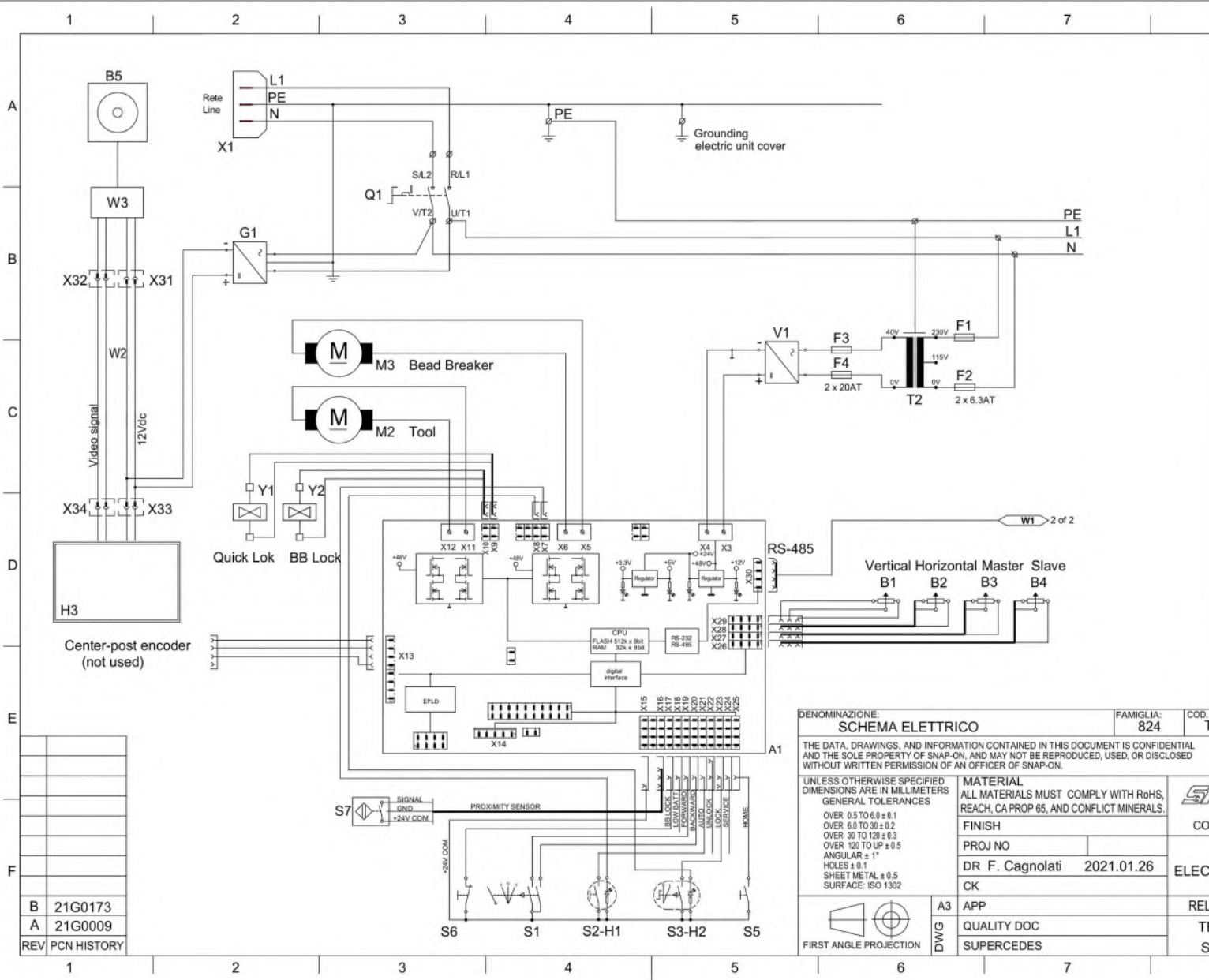


- | | | | |
|-------------------------------|-----------------------------------|---|--|
| A1 Main board | Scheda comando | X7 (J20) Auto push button led | Led pulsante Auto |
| B1 Vertical motion pot. | Pot. movimento verticale | X8 (J21) L1- led output (not used) | Uscita L1-Led (non usato) |
| B2 Horizontal motion pot. | Pot. movimento orizzontale | X9 (J17) Wheel lock solenoid valve (not used) | Elettrovalvola serraggio ruota (non usato) |
| B3 Bead breaker master pot. | Pot. stallionatore master | X10 (J18) BB Lock solenoid valve | Elettrovalvola bloccaggio stallionatori |
| B4 Bead breaker slave pot. | Pot. stallionatore slave | X11 (J5) Motor+ tool arm | Motore+ braccio utensile |
| F1,F2 Primary transf. fuses | Fusibili primario trasformatore | X12 (J6) Motor - tool arm | Motore - braccio utensile |
| F3,F4 Secondary transf. fuses | Fusibili secondario trasformatore | X13 (J26) Encoder (not used) | Encoder (non usato) |
| H1 AUTO push button led | Led pulsante AUTO | X14 (J25) Factory/Service only | Solo per assistenza |
| M1 Chuck motor | Motore autocentrante | X15 (JIN12) Common voltage +24V | Tensione comune +24V |
| M2 Tool motor | Motore utensile | X16 (JIN10) Proximity input (not used) | Ingresso proximity (non usato) |
| M3 Bead breaker motor | Motore stallionatore | X17 (JIN9) BB lock input | Interruttore bloccaggio BB |
| Q1 Main switch | Interruttore principale | X18 (JIN8) Low batt input (not used) | Ingresso livello batteria (non usato) |
| P1 Speed potentiometer | Potenzimetro velocità | X19 (JIN7) Tool arm forward input | Ingresso braccio utensile avanti |
| S1 Tool joystick | Joystick utensile | X20 (JIN6) Tool arm backward input | Ingresso braccio utensile indietro |
| S2 AUTO push button | Pulsante AUTO | X21 (JIN5) Auto button input | Ingresso pulsante Auto |
| S5 HOME push button | Pulsante HOME | X22 (JIN4) Wheel unlock input (not used) | Ingresso sbloccaggio ruota (non usato) |
| S6 BB LOCK switch | Interruttore BB LOCK | X23 (JIN3) Wheel Lock input (not used) | Ingresso serraggio ruota (non usato) |
| T1 Inverter board | Scheda inverter | X24 (JIN2) Service input (not used) | Ingresso Service (non usato) |
| T2 Transformer | Trasformatore | X25 (JIN1) Home button switch input | Ingresso pulsante Home |
| X1 Main plug | Spina di alimentazione | X26 (J11) Slave BB pot. | Potenzimetro Slave BB |
| X2 Motor terminal block | Morsetteria motore | X27 (J12) Master BB pot. | Potenzimetro Master BB |
| X3 (J1) Power supply DC+ | Alimentazione DC+ | X28 (J14) Tool arm horizontal pot. | Pot. orizzontale braccio utensile |
| X4 (J2) Power supply DC- | Alimentazione DC- | X29 (J15) Tool arm vertical pot. | Pot. verticale braccio utensile |
| X5 (J3) Motor+ slave BB | Motore+ stallionatore slave | X30 (J8) RS-485 serial com. | Comunicazione seriale RS-485 |
| X6 (J4) Motor - slave BB | Motore - stallionatore slave | Y2 Solenoid valve BB Lock | Elettrovalvola bloccaggio stallionatori |
| | | V1 Rectifier bridge | Ponte raddrizzatore |
| | | W1 RS-485 communication harness | Cavo comunicazione RS-485 |

M	M	M
2	10	1

Potentiometer table
Tabella potenziometro

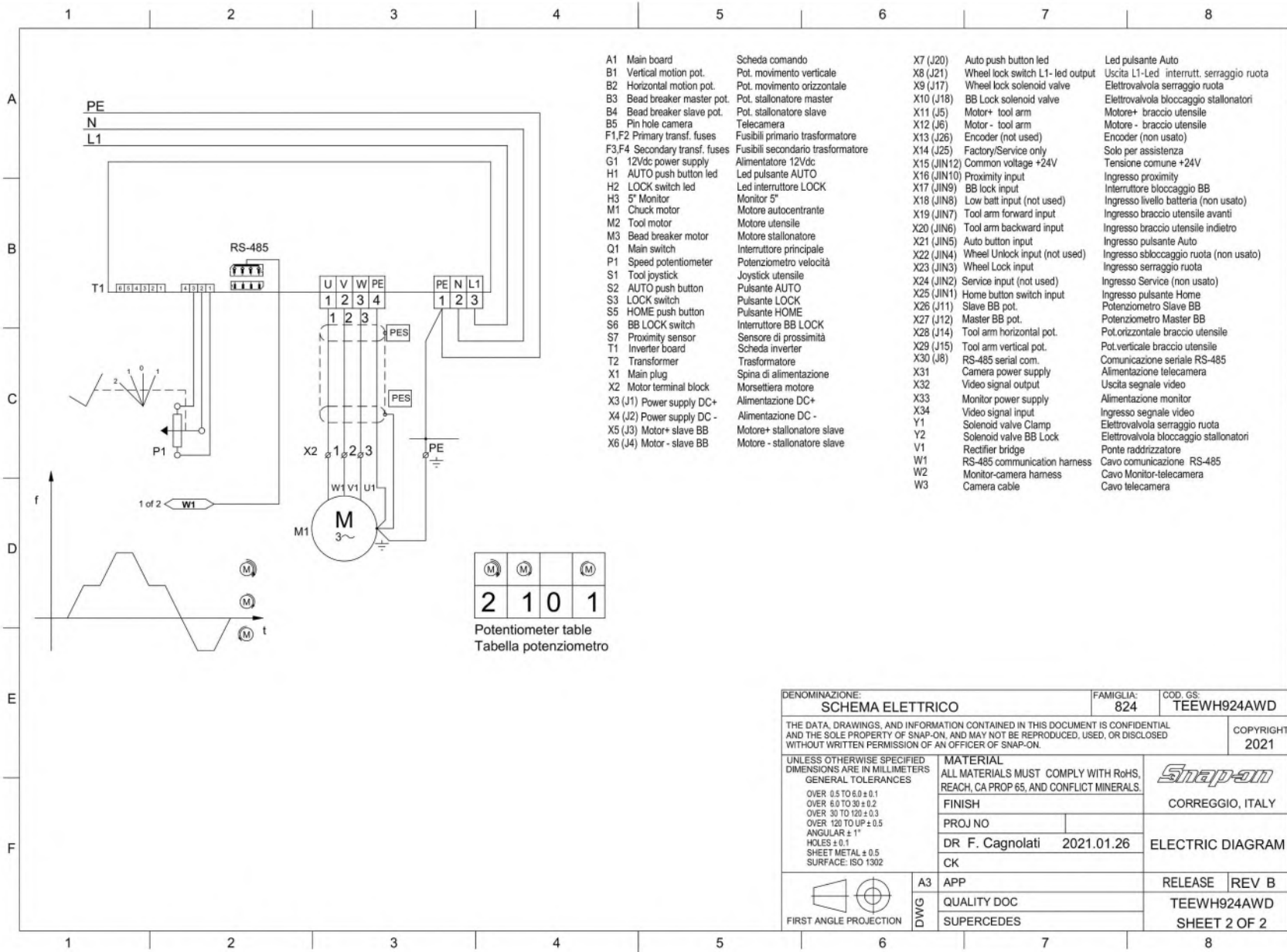
DENOMINAZIONE: SCHEMA ELETTRICO		FAMIGLIA: 824	COD. GS: TEEWH923AWD
THE DATA, DRAWINGS, AND INFORMATION CONTAINED IN THIS DOCUMENT IS CONFIDENTIAL AND THE SOLE PROPERTY OF SNAP-ON, AND MAY NOT BE REPRODUCED, USED, OR DISCLOSED WITHOUT WRITTEN PERMISSION OF AN OFFICER OF SNAP-ON.			COPYRIGHT 2019
UNLESS OTHERWISE SPECIFIED DIMENSIONS ARE IN MILLIMETERS GENERAL TOLERANCES		MATERIAL ALL MATERIALS MUST COMPLY WITH RoHS, REACH, CA PROP 65, AND CONFLICT MINERALS.	
OVER 0.5 TO 5.0 ± 0.1		FINISH	
OVER 5.0 TO 30 ± 0.2		CORREGGIO, ITALY	
OVER 30 TO 50 ± 0.3		PROJ NO	
OVER 120 TO UP ± 0.5		DR F. Cagnolati 2021.01.26	
ANGULAR ± 1°		CK	
HOLES ± 0.1		ELECTRIC DIAGRAM	
SHEET METAL ± 0.5		APP	
SURFACE: ISO 1302		RELEASE	
FIRST ANGLE PROJECTION		REV B	
DWG		QUALITY DOC N/A	
		SUPERCEDES N/A	
		TEEWH923AWD	
		SHEET 2 OF 2	



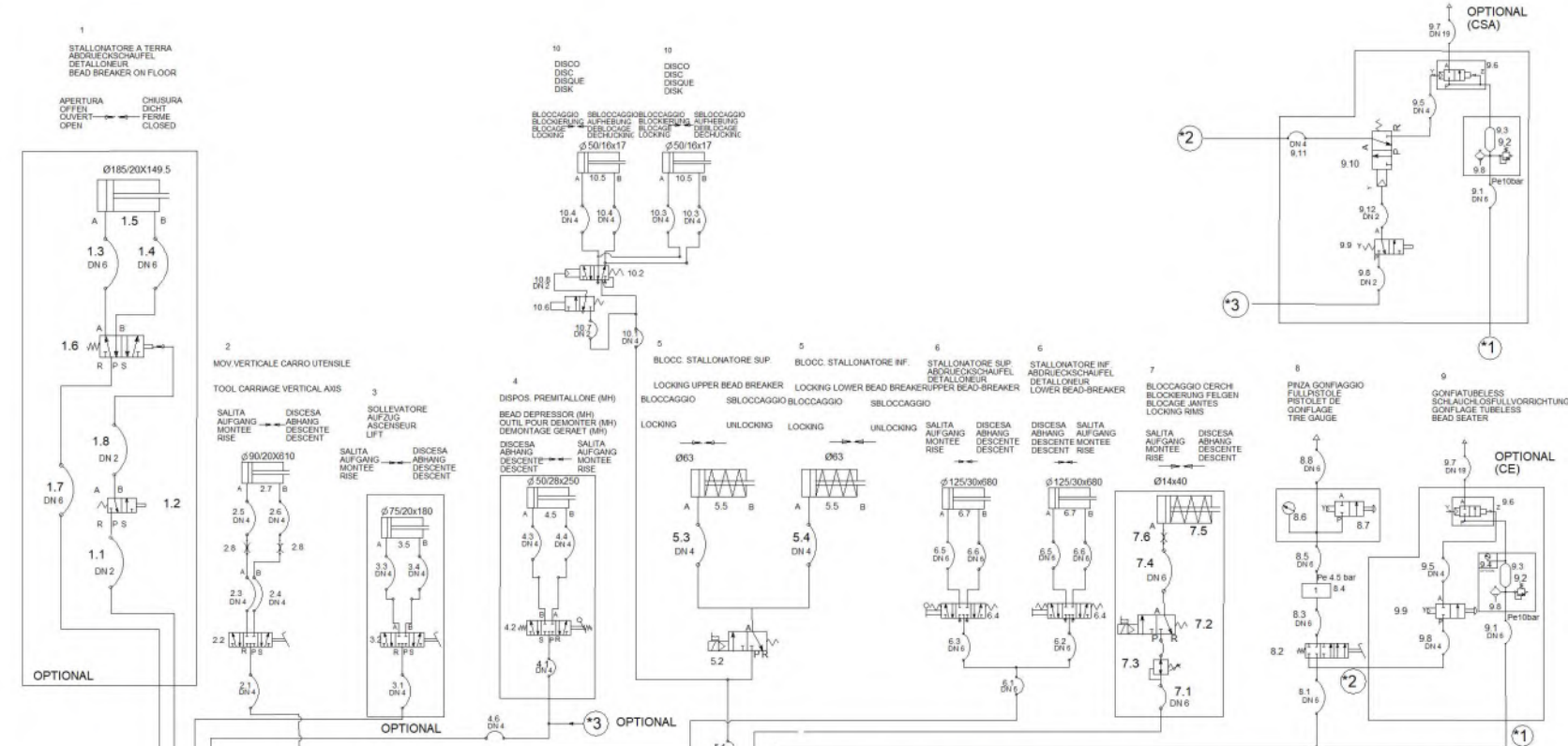
B	21G0173
A	21G0009
REV	PCN HISTORY

REV	NAME	DATE
B	Added encoder connection and updated parts reference designators.	2021.06.30
A	Production release	2021.01.26

DENOMINAZIONE: SCHEMA ELETTRICO		FAMIGLIA: 824	COD. GS: TEEWH924AWD
THE DATA, DRAWINGS, AND INFORMATION CONTAINED IN THIS DOCUMENT IS CONFIDENTIAL AND THE SOLE PROPERTY OF SNAP-ON, AND MAY NOT BE REPRODUCED, USED, OR DISCLOSED WITHOUT WRITTEN PERMISSION OF AN OFFICER OF SNAP-ON.			COPYRIGHT 2021
UNLESS OTHERWISE SPECIFIED DIMENSIONS ARE IN MILLIMETERS GENERAL TOLERANCES OVER 0.5 TO 6.0 ± 0.1 OVER 6.0 TO 30 ± 0.2 OVER 30 TO 120 ± 0.3 OVER 120 TO UP ± 0.5 ANGULAR ± 1° HOLES ± 0.1 SHEET METAL ± 0.5 SURFACE: ISO 1302		MATERIAL ALL MATERIALS MUST COMPLY WITH RoHS, REACH, CA PROP 65, AND CONFLICT MINERALS.	Snap-on CORREGGIO, ITALY
FINISH		PROJ NO	ELECTRIC DIAGRAM
DR F. Cagnolati 2021.01.26		CK	
FIRST ANGLE PROJECTION		A3 APP	RELEASE REV B
DWG D		QUALITY DOC	TEEWH924AWD
		SUPERCEDES	SHEET 1 OF 2



TEEWH778APD
SHEET 1 OF 1



NOTA/Note
1) VALVOLA LIMITATRICE E DI CONTROLLO DELLA PRESSIONE DI GONFIAGGIO
Inflating pressure limiting and register valv

DENOMINAZIONE: SCHEMA PNEUMATICO		FAMIGLIA: 824	COD. GS:
THE DATA, DRAWINGS, AND INFORMATION CONTAINED IN THIS DOCUMENT IS CONFIDENTIAL AND THE SOLE PROPERTY OF SNAP-ON, AND MAY NOT BE REPRODUCED, USED, OR DISCLOSED WITHOUT WRITTEN PERMISSION OF AN OFFICER OF SNAP-ON.			
UNLESS OTHERWISE SPECIFIED DIMENSIONS ARE IN MILLIMETERS		MATERIAL	Snap-on
GENERAL TOLERANCES OVER 0.5 TO 6.0: 0.1 OVER 6.0 TO 30: 0.2 OVER 30 TO 120: 0.3 OVER 120 TO UP: 0.5 ANGULAR ± 1° HOLES ± 0.1 SHEET METAL: 0.5 SURFACE: ISO 1302		FINISH	
C 19G0246		PROJ NO	CORREGGIO, ITALY
B 19G0009		DR S.MANICARDI	PNEUMATIC SCHEME
A 18G0149		CK	
REV/PCN HISTORY	FIRST ANGLE PROJECTION	A3 APP P.SOTGIU	RELEASE
		QUALITY DOC	REV C
		SUPERCEDES	TEEWH778APD SHEET 1 OF 1

ENG - DECLARATION OF CE CONFORMITY
 FRA - DECLARATION CE DE CONFORMITE
 DEU - KONFORMITÄTSERKLÄRUNG
 FIN - EY-VAATIMUSTENMUKAISUUSVAKUUTUS
 NLD - VERKLARING VAN OVEREENSTEMMING
 SWE - EG-FÖRSÄKRAN OM ÖVERENSSTÄMMELSE
 DAN - EF-OVERENSSTEMMELSESERKLÆRING
 ISL - EB-SAMRÆMISYFIRLÝSING
 POL - DEKLARACJA ZGODNOŚCI "CE"
 RUM - DECLARAȚIE DE CONFORMITATE CU NORMELE CE
 SLO - ES VYHLÁSENIE O ZHODE
 SLV - IZJAVA O SKLADNOSTI CE
 ALB - DEKLARATË KONFORMITETI KE
 HUN - EK MEGFELELŐSÉGI NYILATKOZAT



DICHIARAZIONE CE DI CONFORMITA' - ITA
 DECLARAÇÃO CE DE CONFORMIDADE - POR
 DECLARACIÓN CE DE CONFORMIDAD - SPA
 ДЕКЛАРАЦИЯ ЗА СЪОТВЕТСТВИЕ - BUL
 ES PROHLÁŠENÍ O SHODĚ - CES
 DEKLARACIJA CE O PODOBNOSTI - HRV
 EÜ VASTAVUSDEKLARATSIOON - EST
 ΔΗΛΩΣΗ CE ΣΥΜΜΟΡΦΩΣΗΣ - ELL
 ES ATBILSTĪBAS DEKLARĀCIJA - LAV
 ΑΤΙΤΙΚΤΙΕΣ DEKLARACIJA - LIT
 "ЕС" ДЕКЛАРАЦИЈА ЗА СООБРАЗНОСТ - MKD
 DEKLARACIJA CE O USKLAĐENOSTI - MON
 EC UYGUNLUK BEYANNAMESİ - TUR
 ДЕКЛАРАЦИЈА СООТВЕТСТВИЈА СТАНДАРТАМ ЕС - RUS

Snap-on Equipment Srl - Via Provinciale per Carpi, 33 - 42015 Correggio (RE) Italy

ENG - takes full responsibility for declaring that the machine:
FRA - déclare sous sa propre responsabilité que la machine :
DEU - erklärt auf eigene Verantwortung, dass die Maschine:
ITA - dichiara sotto la propria responsabilità che la macchina:
POR - declara sob a própria responsabilidade que a máquina:
SPA - declara bajo su propia responsabilidad que la máquina:
ALB - deklarón nën përgjegjësinë e tij se makineria:
BUL - декларира под отговорност, че машината:
CES - prohlašuje na vlastní zodpovědnost, že strojní zařízení:
HRV - izjavljuje pod vlastitom odgovornošću da stroj:
DAN - erklærer på eget ansvar, at maskinen:
EST - kinnitab omal vastutusel, et aparaat:
FIN - vakuuttaa omalla vastuullaan, että kone:
ELL - δηλώνει υπεύθυνα ότι η μηχανή:
ISL - lýsir því yfir á eigin ábyrgð að billinn:
LAV - apzinādāmieš savu atbildību apliecina, ka mašīna/iekārta:
LIT - prisiimdamas atsakomybę skelbia, kad mašina:
MKD - изјавува под своја одговорност дека машината:
MON - izjavljuje pod vlastitom odgovorošću da mašina:
NLD - verklaart voor eigen verantwoordelijkheid dat de machine:
POL - oświadcza na własną odpowiedzialność, że maszyna:
RUM - declară pe propria răspundere că mașina:
SLO - vyhlasuje na vlastnú zodpovednosť, že strojové zariadenie:
SLV - pod lastno odgovornostjo izjavljamo, da je stroj:
SWE - försäkrar under eget ansvar att maskinen:
TUR - kendi sorumluluğu altında makinenin aşağıda belirtilen yönetmeliklere uygun olduğunu beyan etmektedir:
HUN - a saját felelőssége tudatában kijelenti, hogy a gép:
RUS - с полной ответственностью заявляет что машина

**TIRE CHANGER
 DEMONTE-PNEUS
 REIFENMONTIERMASCHINE
 SMONTAGOMME
 DEMONTADORA DE PNEUS
 DESMONTADOR DE NEUMÁTICOS
 ÇMONTUESE GOMASH
 МАШИНА ЗА ДЕМОНТАЖ НА ГУМИ
 ΖΟΥΒΑΚΑ ΠΝΕΥΜΑΤΙΚ
 DEMONTIRAČ GUMA
 ДÆКАФМОНТЕРИНСМАШКИНЕ
 REHVIVAHETUSSEADE
 RENKAANVAIHТОКОНЕ
 ΜΟΧΛΟΣ ΑΦΑΙΡΕΣΗΣ ΑΕΡΟΘΑΛΑΜΟΥ
 AFFELGUNARVÉL
 RIEPU MONTĀPAS IEKĀRTA
 PADANGØ KEITIMO PRIETAISAS
 ДЕМОНТИРАЧ НА ГУМИ
 DEMONTIRKA GUMA
 BANDENLICHTER
 URZĄDZENIE DO ZDEJMOWANIA OPON
 DISPOZITIV DE DEMONTAT CAUCIUCURI
 VYZŮVAČKA PNEUMATIK
 SNEMALEC GUM
 DÆCKMONTERINGSMASKIN
 LASTIK SÖKÜCÜ
 GUMISZERELŐ
 ШИНОМОНТАЖНЫЙ СТАНОК**

Snap-on



ENG-complies with the following (* if applicable):
 FRA-est conforme au/aux (* le cas échéant) :
 DEU-entspricht folgender/-n Vorschrift/-en (* falls zutreffend):
 ITA-è conforme alle/ai seguenti (* se applicabili):
 POR-está conforme às seguintes (* se forem aplicáveis):
 SPA-es conforme con las siguientes (* si procede):
 ALB-përputhet me sa vijon (*nëse zbatohen):
 BUL-в съответствие със следните (* ако са приложими):
 CES-je v souladu s následujícími (* jsou-li aplikovatelné):
 HRV-u skladu sa sljedećim (*ako se primjenjuju):
 DAN-stemmer overens med det/den/de følgende (* hvis gældende):
 EST-vastab järgmistele (* kui on kohaldatavad):
 FIN-täyttää seuraavat vaatimukset (*jos sevellettävissä):
 ELL-είναι σύμφωνα με τις/τους ακόλουθες/-ους (* αν ισχύουν):
 ISL-uppfyllir eftirfarandi (*ef við eiga):
 LAV-atbilst šādām prasībām (* ja piemērojamas):
 LIT-atitinka šias (šiuos) (*jei taikomi):
 MKD-во согласност со следните (* доколку е применливо):
 MON-u skladu sa sljedećim (*ako je primjenjivo):
 NLD-conform is aan de volgende (* indien van toepassing):
 POL-jest zgodny z następującą/następującymi (* jeżeli mają zastosowanie):
 RUM-este conform cu următoarea/următoarele (* dacă se aplică):
 SLO-je skladno z naslednjimi (*če so veljavne/i):
 SLV-je v skladu s nasledujúcimi (* ak sú aplikovateľné):
 SWE-överensstämmer med nedanstående (*i tillämpliga fall):
 TUR-aşağıdakilere uygundur (* ilgilirse):
 HUN-megfelel az alábbi irányelveknek, (*ha alkalmazható):
 RUS-соответствует следующим требованиям (* если применимо):

ENG:directives - FRA:directives - DEU:Richtlinien - ITA:direttive -
 POR:directivas - SPA:directivas - ALB:direktivat - BUL:директиви -
 CES:směrnice - HRV:direktivama - DAN:direktiver - EST:direktiividele -
 FIN:direktiivit - ELL:οδηγίες - ISL:tilskipanir - LAV:direktívas - LIT:direktyvas -
 MKD:директиви - MON:direktivama - NLD:richtlijnen - POL:dyrektywa -
 RUM:directive - SLO:direktivami - SLV:smernicami - SWE:direktiv -
 TUR:direktifler - HUN:irányelvek - RUS:директивы -

2006/42/EC 2014/30/EU

2014/29/EU* 2014/53/EU*

ENG-The manufacturer -	FRA-Le fabricant -	DEU-Der Hersteller -	ITA-Il fabbricante -	POR-O fabricante -	SPA-EI fabricante -
ALB-Prodhuesi -	BUL-Производителят -	CES-Výrobce -	HRV-Prodvođač -	DAN-Fabrikanten -	EST-Tootja -
FIN-Valmistaja -	ELL-Ο κατασκευαστής -	ISL-Framleiðandi -	LAV-Ražotājам -	LIT-Gamintojas -	MKD-Производителот -
MON-Prodvođač -	NLD-De fabrikant -	POL-Producent -	RUM-Producătorul -	SLO-Výrobca -	SLV-Proizvajalec -
SWE-Tillverkaren -	TUR-Üretici, -	HUN-A gyártó -	RUS-Изготовитель -		

Snap-on Equipment Srl - Via Provinciale per Carpi, 33 - 42015 Correggio (RE) Italy

ENG-is authorized to compile a technical leaflet in compliance with appendix VII, letter A, of the 2006/42/CE directive.
 FRA-est autorisé à constituer le fascicule technique visé sous l'annexe VII lettre A de la directive 2006/42/CE.
 DEU-ist bevollmächtigt, die technischen Unterlagen zu erstellen (siehe Anhang VII, Buchstabe A der Richtlinie 2006/42/CE).
 ITA-è autorizzato a costituire il fascicolo tecnico di cui all'allegato VII lettera A della direttiva 2006/42/CE.
 POR-está autorizado a compilar o processo técnico, referido no anexo VII alínea A da directiva 2006/42/CE.
 SPA-está autorizado a constituir el fascículo técnico indicado en el anexo VII letra A de la directiva 2006/42/CE.
 ALB-është i autorizuar të realizojë fashikullin teknik sipas dokumentit bashkëngjitur VII germa A e direktivës 2006/42/KE.
 BUL-е упълномощен да състави техническата брошура в съответствие с Приложение VII, „А“, Директива 2006/42/ЕС.
 CES-je oprávněný vypracovat technickou dokumentaci podle přílohy VII části A Směrnice 2006/42/ES.
 HRV-je ovlaštena ustrojiti tehnički svezak kako se vidi u dodatku VII slovo A smjernice 2006/42/CE.
 DAN-er bemyndiget til udarbejdelse af den tekniske dokumentation jf. bilag VII litra A i direktivet 2006/42/EF.
 EST-on volitatud koostama tehnilise toimiku vastavalt direktiivi 2006/42/EÜ VII lisa osale A.
 FIN-on valtuutettu kokoamaan tekninen eritelmä direktiivin 2006/42/EY liitteen VII kohdan A mukaisesti.
 ELL-είναι εξουσιοδοτημένος να παράξει τον τεχνικό φάκελο σύμφωνα με το συνημμένο VII γράμμα Α της οδηγίας 2006/42/ΕΚ.
 ISL-hefur heimilt að gera tækniskjalið samkvæmt A-lið VII, viðauka í reglugerð 2006/42/EB.
 LAV-ir pilnvarots sastādīt tehnisko dokumentāciju atbilstoši ES direktīvas 2006/42/EK VII pielikuma A iedaļai.
 LIT-turi yra įgaliotas sudaryti techninę bylą, kurios sudarymo tvarka nurodyta Direktyvos 2006/42/EB VII priedo A dalyje.
 MKD-е овластен да го состави техничкиот прирачник даден во прилог VII писмо А од директивата 2006/42/CE.
 MON-je ovlašteno da sastavi tehničku fasciklu kako se vidi u dodatku VII slovo A direktive 2006/42/CE.
 NLD-is gemachtigd om het technisch dossier samen te stellen waarover in Bijlage VII, afdeling A, van de richtlijn 2006/42/EG.
 POL-jest upoważniony do założenia skroszytu technicznego, o którym mowa w Załączniku VII litera A dyrektywy 2006/42/UE.
 RUM-este autorizat să întocmească dosarul tehnic prevăzut în anexa VII litera A directiva 2006/42/CE privind echipamentele tehnice.
 SLO-je oprávněný vypracovať technickú dokumentáciu podľa prílohy VII časti A Smernice 2006/42/ES.
 SLV-je pooblaščen za sestavo tehnične mape, kot navedeno v prilogi VII, črka A direktive 2006/42/ES.
 SWE-är behörig att sammanställa medföljande teknisk dokumentation i enlighet med avsnitt A i bilaga VII i direktiv 2006/42/EG.
 TUR-2006/42/EC Yönetmeliği'nin VII. ekinin A harfinde belirtilen teknik dosyayı hazırlamaya yetkilidir.
 HUN-jogosult a 2006/42/EK irányelv A részének VII. Mellékletében meghatározott, műszaki dokumentáció összeállítására.
 RUS-уполномочен составить технический лист в соответствии с приложением VII, литер А директивы 2006/42/CE.

ITA-Direttore Operativo SPA-Director Operativo POR-Director Operacional ENG-Operations Manager FRA-Directeur Opérationnel
 DEU-Betriebsleiter ALB-Drejtori Operativ BUL-Оперативен директор CES-Výkonný ředitel HRV-Operativni direktor DAN-Driftsleder
 EST-Tegevdirktor FIN-Operatiivinen johtaja ELL-Επιχειρησιακό Διευθυντής ISL-Starfandi framkvæmdarstjóri LAV-Operatīvais direktors
 LIT-Operacijų vadovas MKD-Оперативен директор MON-Operativni direktor NLD-Operatieel directeur POL-Dyrektor Operacyjny
 RUM-Director Operator SLO-Výkonný riaditeľ SLV-Operativni vodja SWE-Driftledare TUR-İşletme Müdürü HUN-Operatív Igazgató
 RUS - Управляющий производством

Francesco Frezza

F. Frezza



Correggio (RE) - ITALY

date:

SOE-Digital-Congr.-CE-SO11-IC-CE-DECL-RED-22-11-28L-B-EA20141616A

UK CA

UK - DECLARATION OF CONFORMITY



· Snap-on Equipment SrL · Via Provinciale per Carpi, 33 - 42015 Correggio RE - Italy ·
Tel.: +39-(0)522-733480 - Fax: +39-(0)522-733479
<https://www.snapon-totalsshopsolutions.com>

takes full responsibility for declaring that the machine: **TRUCK TIRE CHANGER**



is in conformity with the following regulations (* if applicable): _____

Supply of Machinery (Safety) Regulation 2008 (UK Statutory Instruments 2008 No.1597)

Electromagnetic Compatibility Regulations 2016 (UK Statutory Instruments 2016 No.1091)

Radio Equipment Regulations 2017 (UK Statutory Instruments 2017 No.1206) *

The manufacturer: - Snap-on Equipment SrL - Via Provinciale per Carpi, 33 - 42015 Correggio (RE) Italy

Authorized representative located within the United Kingdom (UK):

Colin Ferra
Snap-on Diagnostics UK
Denney Road, King's Lynn, Norfolk. PE30 4HG
England

Signed for and on behalf of the above named manufacturer:

Francesco Frezza
Operation Manager

SOE Digital Code: UKCA_SOT-TC DECLARATION-RED_22-11_EN_C_EAZ0144G17A

Notice: The information contained in this document is subject to change without notice. **Snap-on Equipment** makes no warranty with regard to present documentation. **Snap-on Equipment** shall not be liable for errors contained herein or for incidental consequential damages in connection with furnishings, performance, or use of this material.

Attention: Les informations figurant dans le présent document peuvent faire l'objet de modifications sans préavis. **Snap-on** ne délivre aucune garantie sur le présent matériel. **Snap-on** décline toute responsabilité des erreurs que ces matériaux de documentation pourraient contenir et en cas de dommages accidentels ou indirects dérivant de leur fourniture, de leur interprétation et de leur utilisation.

Beachten Sie: Die in diesem Dokument enthaltenen Informationen können ohne Vorankündigung geändert werden. **Snap-on** bietet keine Gewährleistung für die vorliegende Dokumentation. **Snap-on** übernimmt keine Haftung für darin enthaltene Fehler bzw. für aus diesen Fehlern entstehende Schäden bezüglich der Ausstattungen, der Leistung bzw. des Gebrauchs dieses Materials.

Avviso: Le informazioni contenute nel presente documento sono soggette a modifica senza preavviso. **Snap-on** non rilascia alcuna garanzia sul presente materiale. **Snap-on** declina qualsiasi responsabilità per eventuali errori ivi contenuti o per danni accidentali o danni indiretti connessi alla fornitura, alle prestazioni o all'uso dei presenti materiali.

Aviso: As informações contidas neste documento estão sujeitas a alterações sem aviso prévio. **Snap-on** não oferecem nenhuma garantia com relação a este material. **Snap-on** não deve ser responsabilizado por erros aqui contidos ou por danos consequentes incidentais em relação a mobiliário, desempenho ou uso deste material.

Nota: La información aquí contenida está sujeta a cambios sin aviso. **Snap-on** no ofrece ninguna garantía sobre esta documentación. **Snap-on** no podrá ser considerado responsable por errores contenidos en esta publicación ni por daños consecuenciales incidentales en relación con el equipamiento, rendimiento o uso de este material.

Внимание: Информация, содержащаяся в настоящем документе, может меняться без предварительного уведомления. **Snap-on** не дает никаких гарантий в отношении данного материала. **Snap-on** не несет ответственности за ошибки, допущенные в настоящем руководстве, а также за случайные или косвенные убытки, понесенные в связи с его предоставлением или использованием.

Meddelande: Informationen i detta dokument kan komma att ändras utan föregående meddelande. **Snap-on** utfärdar ingen garanti gällande detta material. **Snap-on** avsåger sig härmed allt ansvar för eventuella fel häri samt för oförutsedda följdskador i samband med leveranser, prestationer eller användning av detta material.

Manufacturing Facilities • Sites de production • Fertigungsanlagen • Sedi produttive • Instalações de fabricação • Instalaciones de fabricación • Производственные помещения • Produktionsanläggningar
Snap-on Equipment SrL · Via Per Carpi 33 - 42015 Correggio RE - Italy
Snap-on Equipment · 309 Exchange Avenue Conway, Arkansas 72032

Technical alterations reserved - Refer to the data plates for effective manufacturing location • Modifications techniques réservées - Consulter les plaques signalétiques pour connaître le lieu de fabrication • Technische Änderungen vorbehalten - Den tatsächlichen Ort der Fertigung entnehmen Sie bitte den Datenschildern • Tutti i diritti riservati - Riferirsi alla targa dati per l'identificazione dello stabilimento produttivo • Alterações técnicas reservadas - Consulte as placas de dados para localização efetiva de fabricação • Modificaciones técnicas reservadas - Consultar las placas de datos para la ubicación efectiva de la fabricación • Возможны технические изменения - Фактическое расположение производства указано на паспортной табличке • Med reservation för tekniska anpassningar - Se märkplåtarna för faktisk tillverkningsort