

# HOFMANN®



## *monty 1625 smartSpeed*

---

Spare Parts List

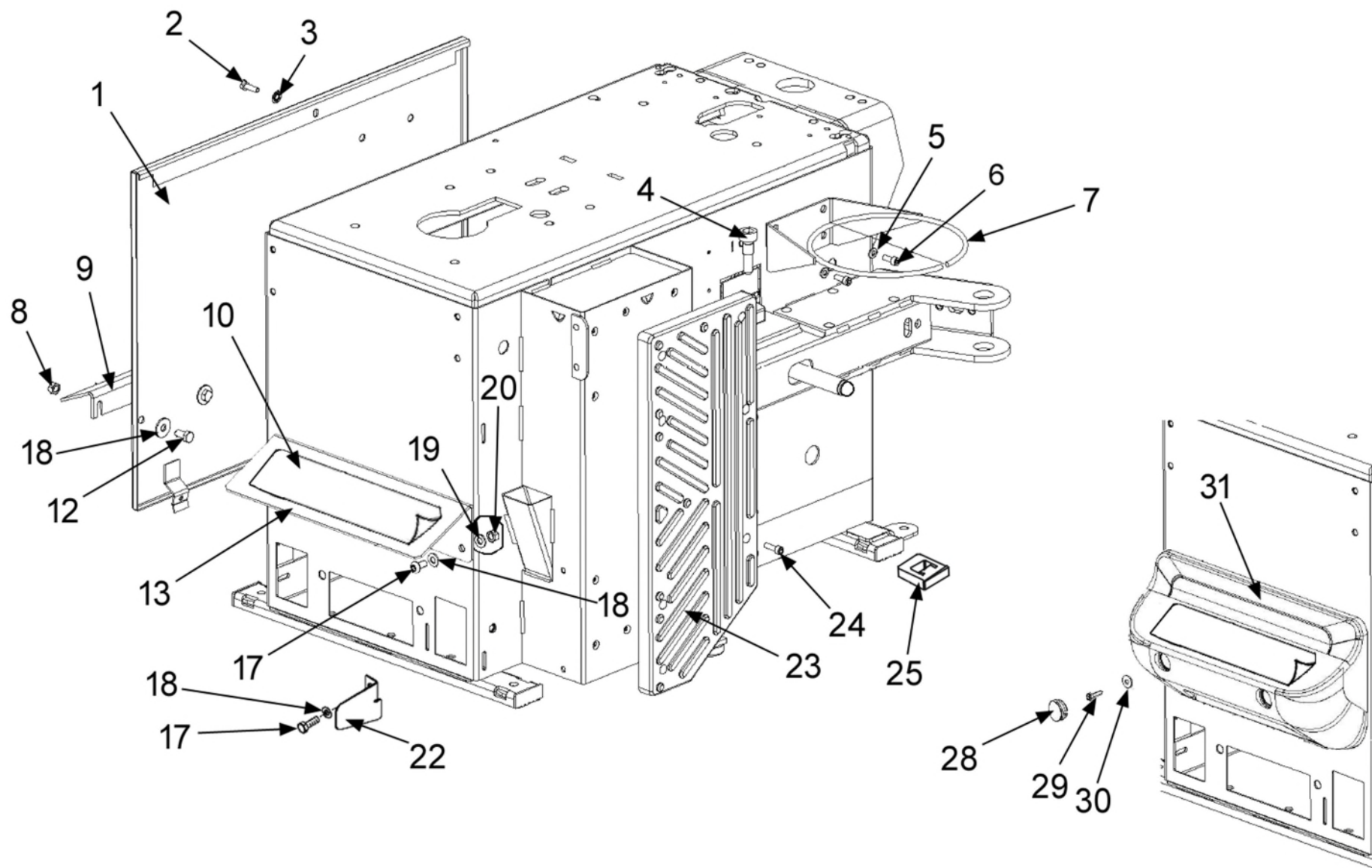
Produced From 6/2017



## BOM EEWH748B Monty 1625 SmartSpeed

Part Number	Quantity	Description
EAA0270J48A	1	TC Assy - Monty 1625 Smartspeed
ZEEWH748B9	1	Lit Pack - Monty 1625 Smartspeed
EAC0078G13A	5	Back Plastic Rim Protector
EAC0097G47A	1	Wave Tire Mounting Lever
EAC0113G61A	5	Rim Protector Plastic
EAK0329G86A	1	Lightalloy Rim Protector Front Only
5-14126A	1	Brush Tire Lube Applicator
4027094	1	Holder Lube Bottle
01267267000	1	Wire Dauber
00066006000	1	Bottle - Lube
8-03229A	1	Lubricant - Tire Mounting 75N
16510	1	Label Danger
16511	1	Label - Danger
19159	1	Label Drain Water
EAC0100G55A	1	Label Sealing Hole
EAL0343J76B	1	Serial Label Document
EAL0383G01A	1	Rotation Direction Label
EAL0383G32A	1	Label Danger
EAL0383G34A	1	Label Danger
EAL0408G12A	1	Label Patents
EAL0408G24A	1	Label Oil
EAL0408G25A	1	Label Pressure Min Max
EAL0412G13A	1	Sticker Pedals
EAL0413G31A	1	Label Ground

Part Number	Quantity	Description
EAL0413G34A	1	Label Inflator
EAL0443G66A	1	Decal - Entrapment Warning
EAL0462G75A	1	Label Hofmann 1625 Smartspeed



EAL0462G75A

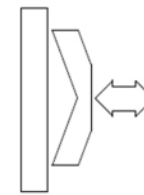
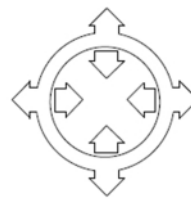


*monty 1625*

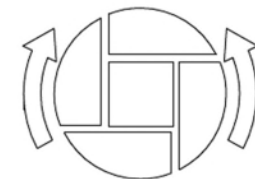
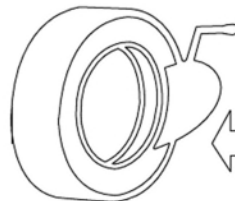
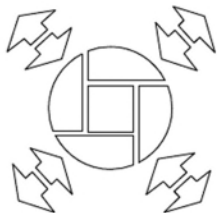


5

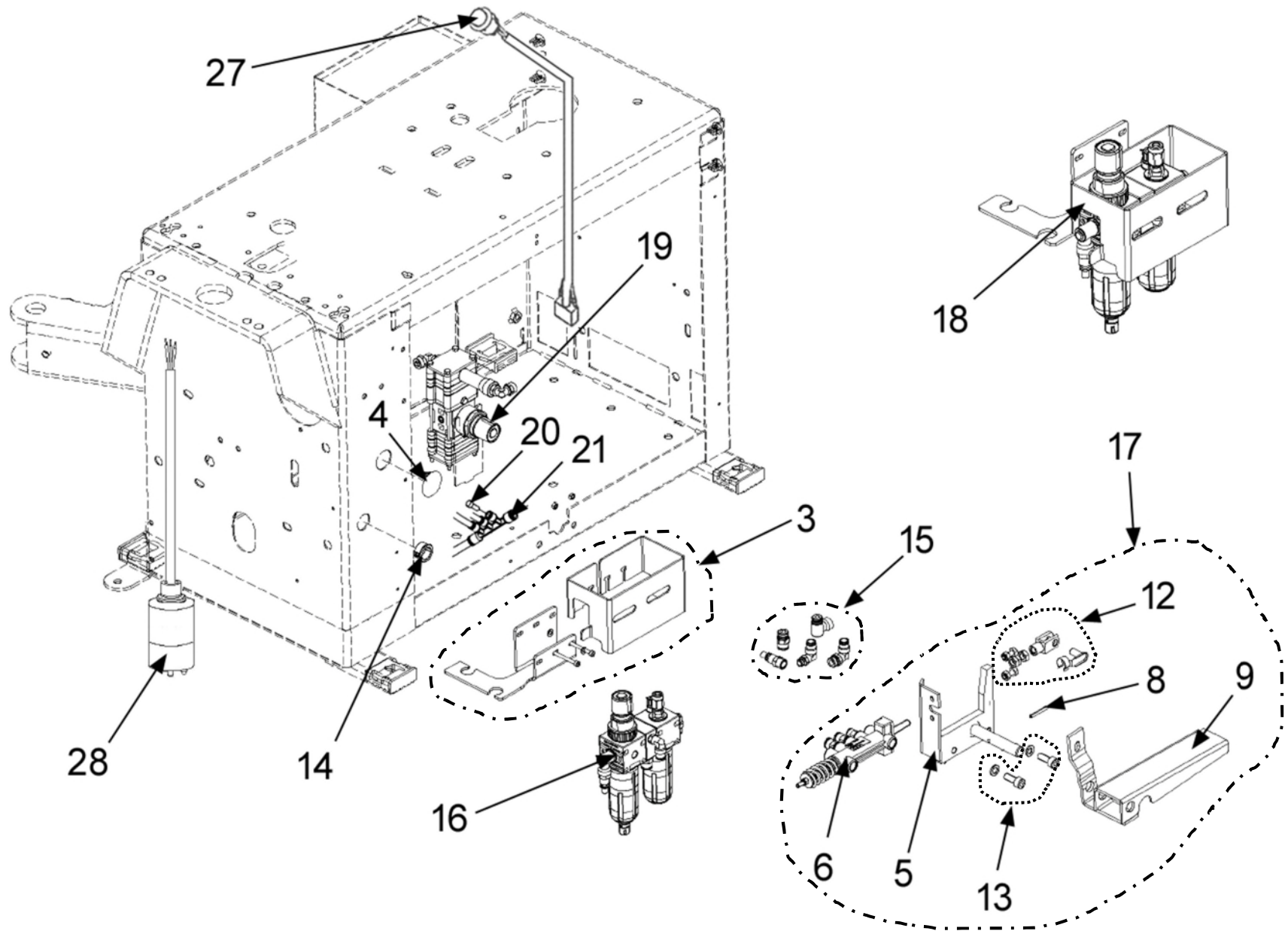
Item # 10 - 27091 Pedal Sticker With Potentiometer on Left side of Pedal Assembly



Item # 10 - EAL0412G13A Pedal Sticker With Potentiometer on Right side of Pedal Assembly

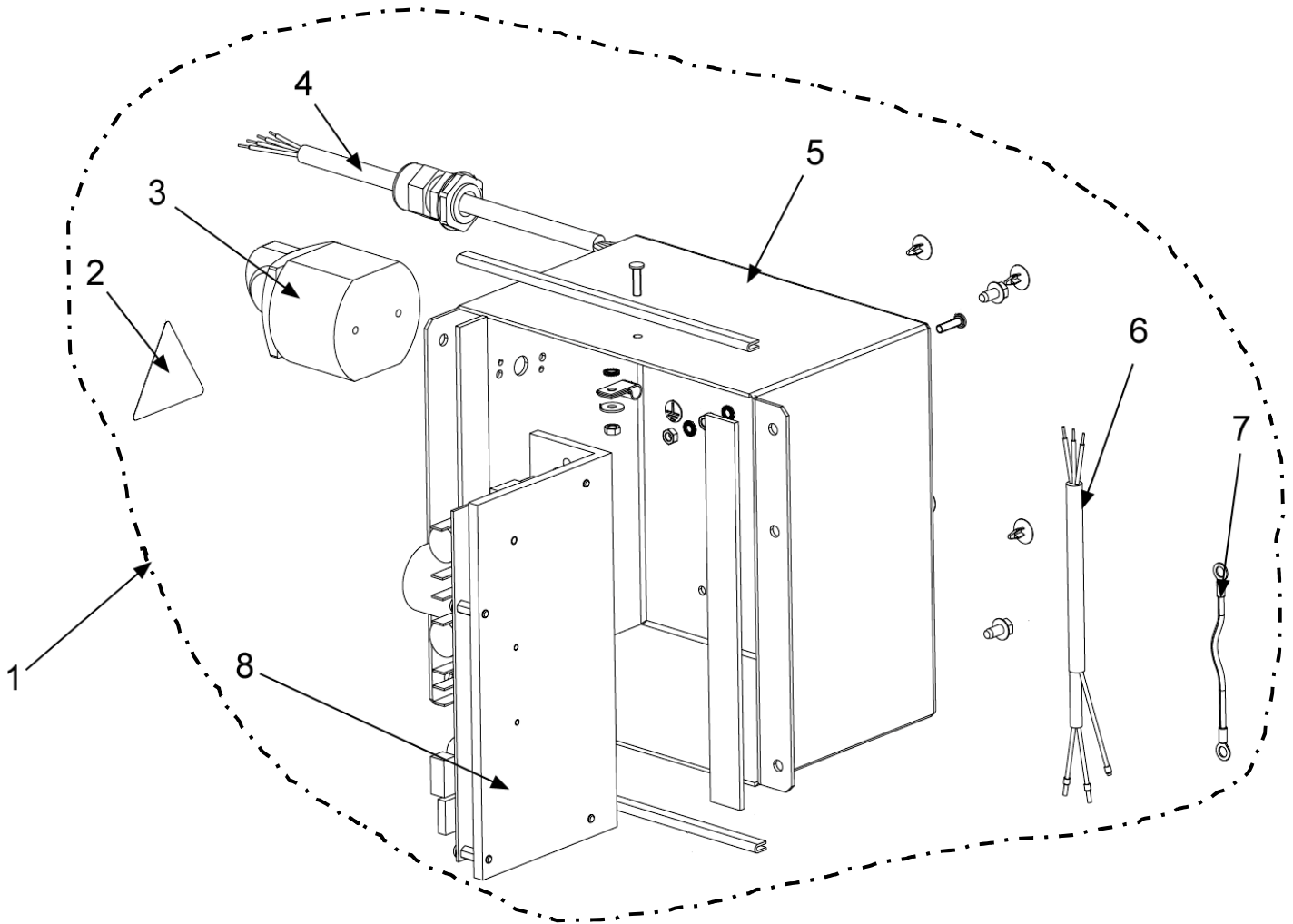


Ref	Qty	Part Number	Description	
1	1	EAS2029J62A	Black Side Panel	EAS2126G60A
2	1	1-30901A2	Screw 6 x 20 Hex Head	
3	1	1-1548	Washer - Lock D 6	
4	2	EAM0067G34A	Screw, Fitting - Cylinder B/Break	
5	2	1-9841	Washer, Plain D 6 Zinc.	
6	2	1-16409A	Screw 6 x 20	
7	1	EAA0349G76A	Ring - Box, Grease	
8	2	1-11733A	Nut M8 Black	
9	1	EAS2115G83A	Protector, Pedal	
12	2	1-32601	Screw M8 x 20	
13	1	EAS2115G04A	Metal Pedal Protection	EAC0114G09A
17	3	1-32701	Screw - M8 x 25 mm Hex Head	
18	5	1-10041	Washer, Plain M8	
19	2	1-3048	Lock Washer	
20	2	1-15933A	Nut Hex M8 - 1.25 mm	
22	1	EAS2100G95A	Pedal - Reverser Protection	
23	1	EAC0099G22A	Pad - Support, Beadbreaker	
24	7	1-09624A	Screw M6 x 20	
25	4	EAC0097G52A	Foot Square	
28	2	EAC0114G12A	Cup For Frontal Protection	
29	2	1-24223A	Screw - Self-thread 10 x 16	
30	2	1-19041A	Washer 5 x 16 x 1	
31	1	EAC0114G09A	Front Plastic Pedals Protection	



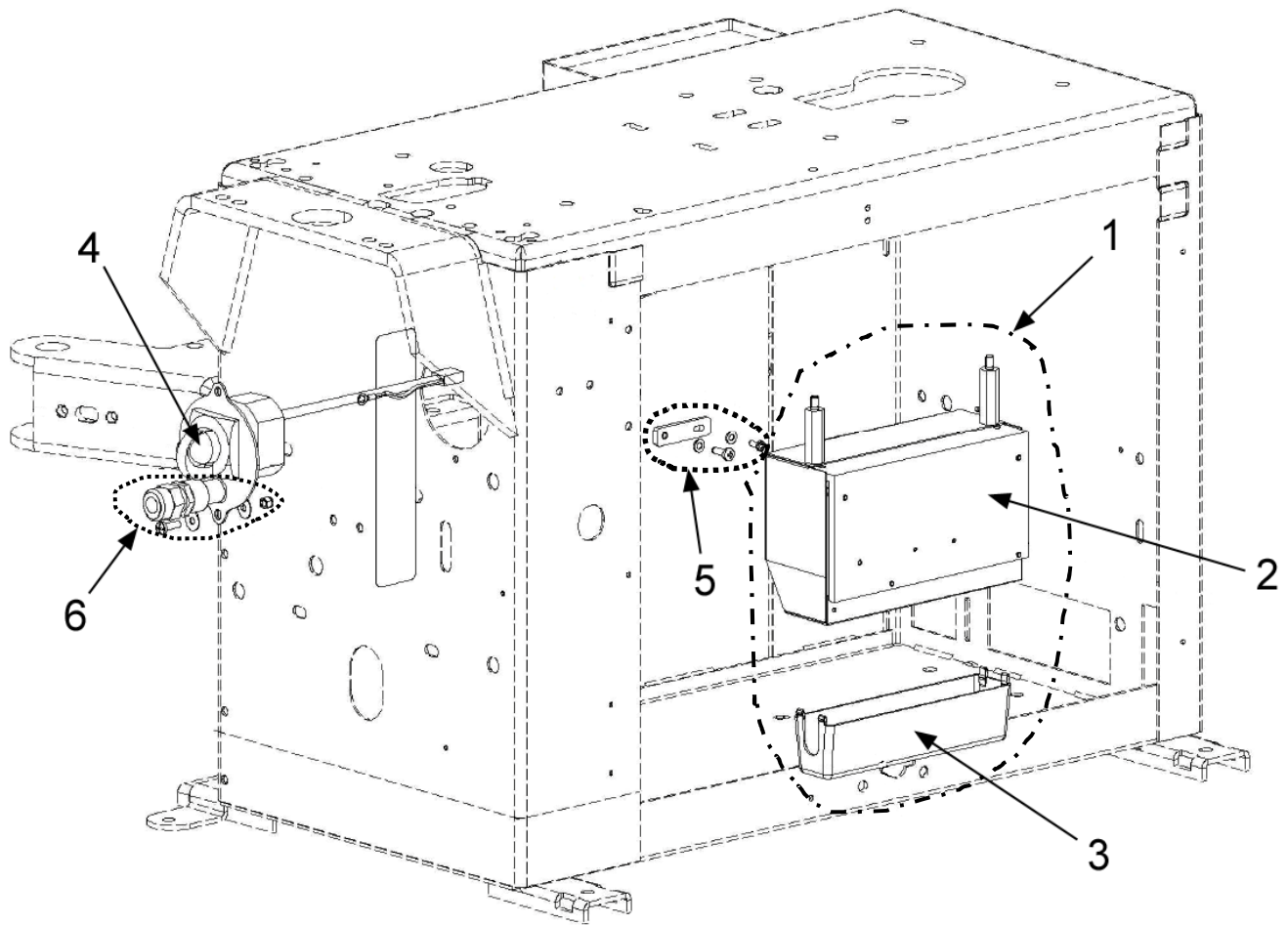
Ref	Qty	Part Number	Description	
3	1	EAK0330G49A	NA Lubricator Filter Fixing Kit	
4	1	1-08676A	Cap, Closing	
5	1	EAS2134G52A	GT Pedal Support	
6	1	ST4029115	Valve, Bead Inflating	EAA0329G75A
8	1	ST7023119	Pin - Straight Slotted 4 x 30	1-6652
9	1	ST4029114	Inflator Pedal Cataphor	EAS2068G87A
12	1	EAK0306G32A	Screws And Bolts For GT Valve	
13	1	EAK0306G33A	Screws And Bolts For GT Pedal	
14	1	8-11616A	Snap Bushing	
15	1	EAK0315G99A	Fittings Kit For Filter	
16	1	EAA0439G90A	Filter - Pressure Regulator	
17	1	EAA0384G14A	Group, Bead Inflating Pedal	
18	1	EAA0489G30A	Lubricator Filter Group	
19	1	EAA0384G22A	Valve, Air Control	
20	1	1-09176A	Cap, Fitting D 6	
21	1	1-12379A	Multi - Tee 08-06	
27	1	EAW0283G43A	Cable with Stop Button	
28	1	2-28647A	Plug Nema L6-20P	

## Inverter used up to May 2020 (78BEPxxx)

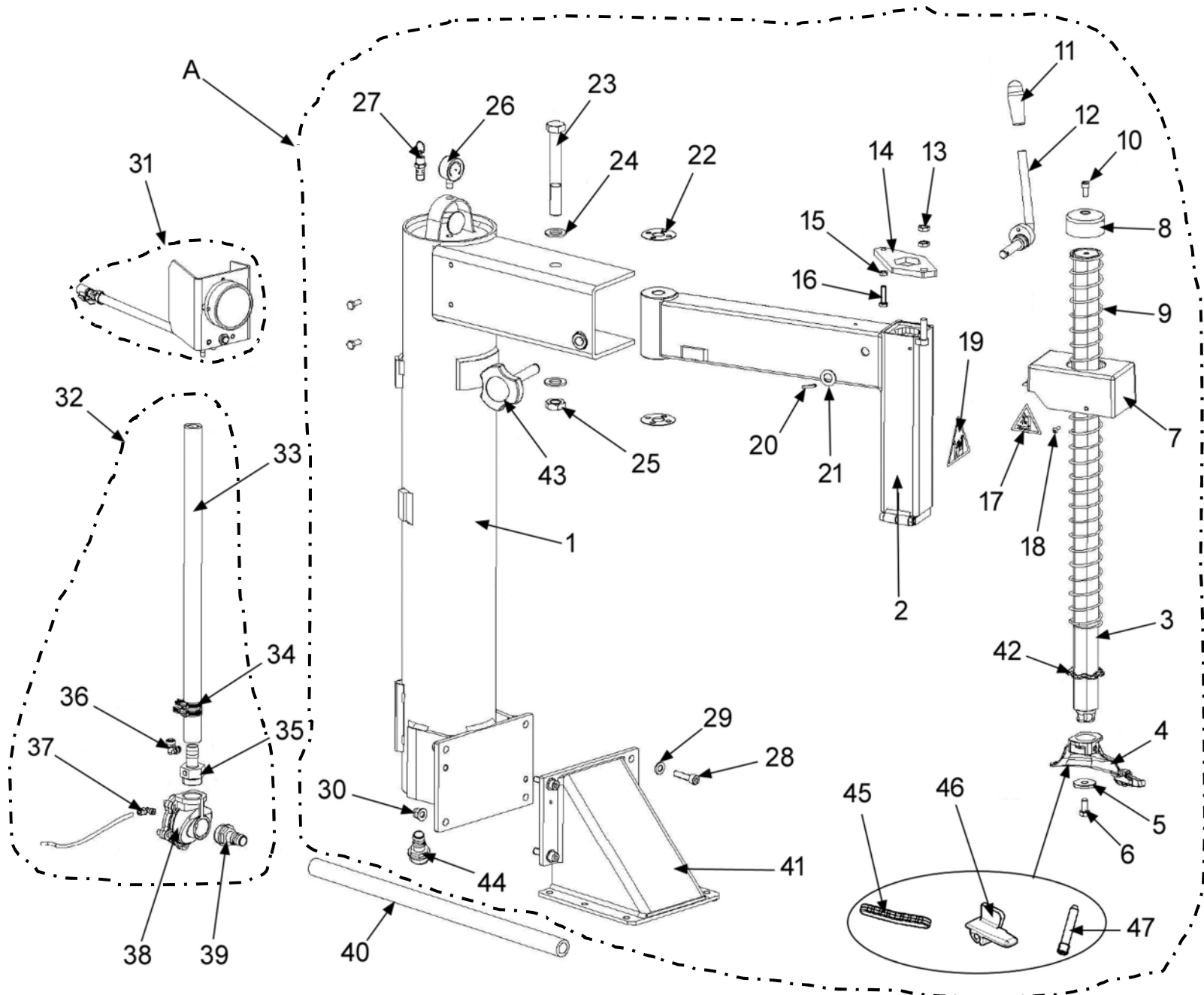


Ref	Qty	Part Number	Description	BI Pot
1	1	EAA0458G21A	Smartspeed Inverter Box Assy	
2	1	8-23562A	Sticker, Danger VDE	
3	1	2-14861A	Bipolar Power Switch	
4	1	EAW0282G20A	Main Cable CSA	
5	1	EAS2132G53A	Inverter Box	
6	1	EAW0282G23A	Main Switch - Inverter Cable	
7	1	EAW0282G22A	Cable, Earth for Cabinet	
8	1	EAA0458G76A	Inverter with Smartspeed Tech	

## Inverter used from June 2020 (78BFPxxx) to Present

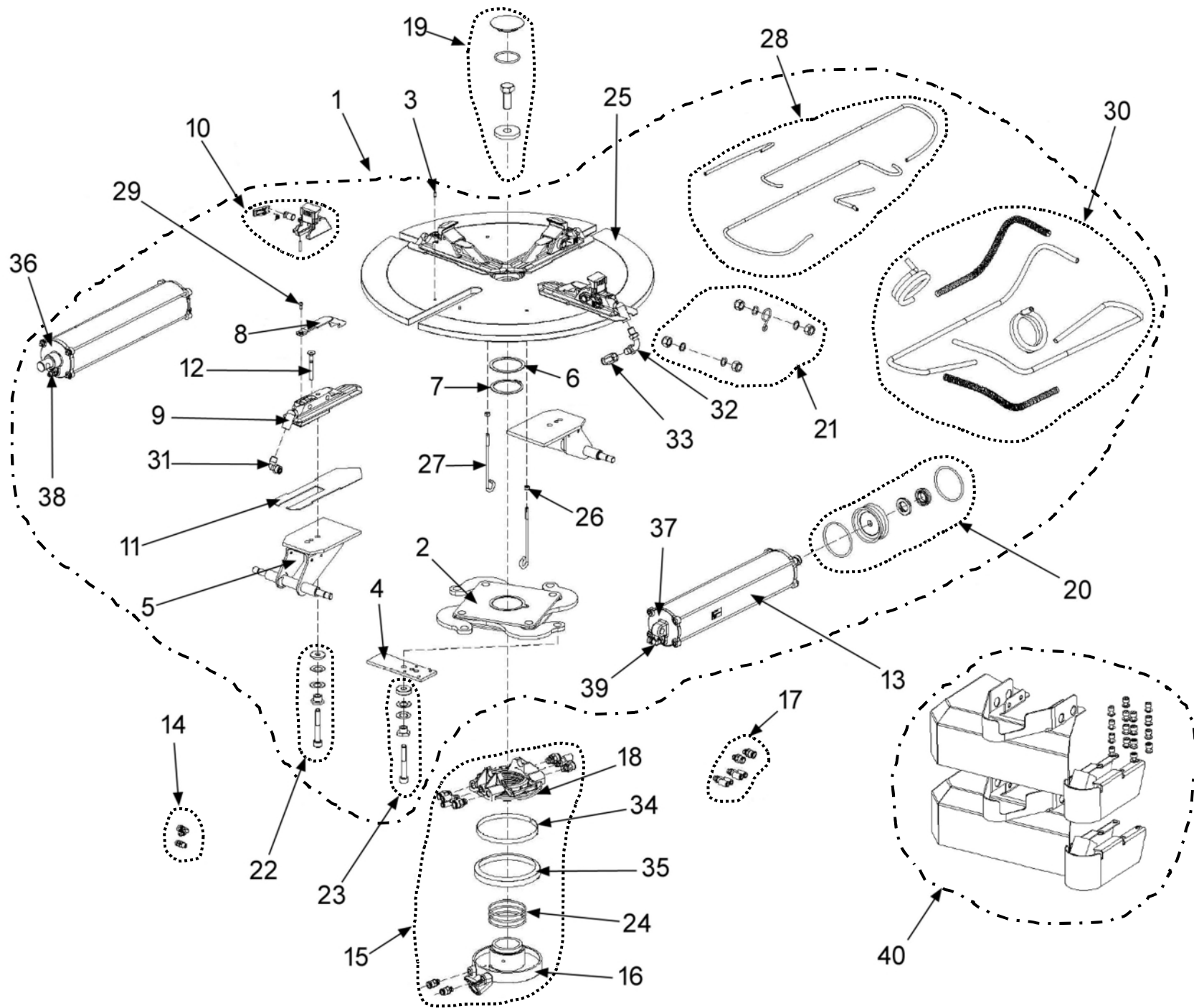


Ref	Qty	Part Number	Description
1	1	EAA0440G45A	Inverter Group For CTS Pot      R/B EAA0481G23A
1	1	EAA0481G23A	Inverter Group For CTS Pot
2	1	EAA0481G15A	Inverter & Heat Sink
3	1	EAC0103G88A	Cover For Inverter Box
4	1	EAA0481G43A	Rotary Cam Switch Group - UI
5	1	EAK0317G29A	Kit, Bracket For Inverter Kit
6	1	EAK0317G30A	Kit, Fixing For Switch



Ref	Qty	Part Number	Description	
A	1	EAA0270J39A	TC Tower Air Offset Assy	
1	1	EAS2141J21A	Swing Column	EAS2169G73A
2	1	EAM0010J44A	Swing Arm	EAA0440G41A
3	1	EAM0122G32A	Rod - Vertical	
4	1	EAA0329G95A	Mounting / Demounting Tool	
5	1	EAM0032G02A	Washer - Tool Clamping	
6	1	1-44901A	Screw Hex 10 x 20 8G	1-34301A
7	1	4020113	Protection, Upper Tower	EAM0126G17A
8	1	EAM0140G92A	Cover For Hex Bar	
9	1	EAS2153G47A	Spring - Recall, Tower, Vertical	
10	1	1-17609A	Screw, 8 x 16 8.8	
11	1	EAC0078G04A	Handle - Rubber	
12	1	EAS2108G36A	Lever, Register	
13	2	1-19633B	Nut - M10 6S	
14	1	EAM0010J50A	Lever - Necking	EAS2153G46A
15	1	1-15933A	Nut Hex M8 - 1.25 mm	
16	1	EAM0067G26A	Screw, Adjustment - Rod	
17	2	EAL0408G42A	Sticker Danger	
18	3	1-63709A	Screw Tbei 5 x 16 8.8	1-49709A
19	1	EAL0408G44A	Danger Label	
20	1	1-6452	Pin, Straight Slotted	
21	1	1-10341	Washer - D 14	
22	2	EAM0067G29A	Washer - Adjustment	
23	1	EAM0067G25A	Screw, Swing Arm Support	
24	2	1-10641	Washer	
25	1	1-21633A	Nut	
26	1	8-06120A	Manometer - Radial 0 - 16 D 40	
27	1	1-31381A	Valve, Asme Safety, 1/4" Bspt	
28	10	1-19409	Screw Tcei 10 x 40	
29	10	1-10141A1	Washer P D 10	
30	4	7020879	Nut Selfclamping	
31	1	EAA0332G46A	Assy, Gauge - Pressure Psi / Kpa	EAA0332G48A
32	1	EAA0351G06A	Assy, Valve - Pneumatic	EAA0351G03A

Ref	Qty	Part Number	Description	
33	mr	2072705	Hose, Air sold by the meter	27096
34	4	EAM0075G29A	Clip, Locking - Hose	
35	1	15658	Fitting, Rub. Holder 1" Long	
36	1	1-17279A	Fitting "L" 6 x 8 1/8	
37	1	1-17179A	Elbow Fitting "L" 4 x 6 1/4"	
38	1	1-29581A	Valve, Air - Controlled	
39	1	EAM0071G99A	Fitting, Support M1"- 20	
40	mr	2072705	Hose, Air sold by the meter	14121
41	1	EAS2141J20A	Column Support	EAS2169G72A
42	1	EAC0094G02A	Ring, Shock - Absorber	
43	1	EAA0270J79A	Handle With Screw	1-03512A
44	1	1-41880A	3/4" NPT to 3/4" Hose Barb	
45	1	EAC0078G13A	Back Plastic Rim Protection	
46	1	EAC0113G61A	Plastic Rim Protection	
47	1	EAM0043G53A	Pin M5 Hexagonal Socket	

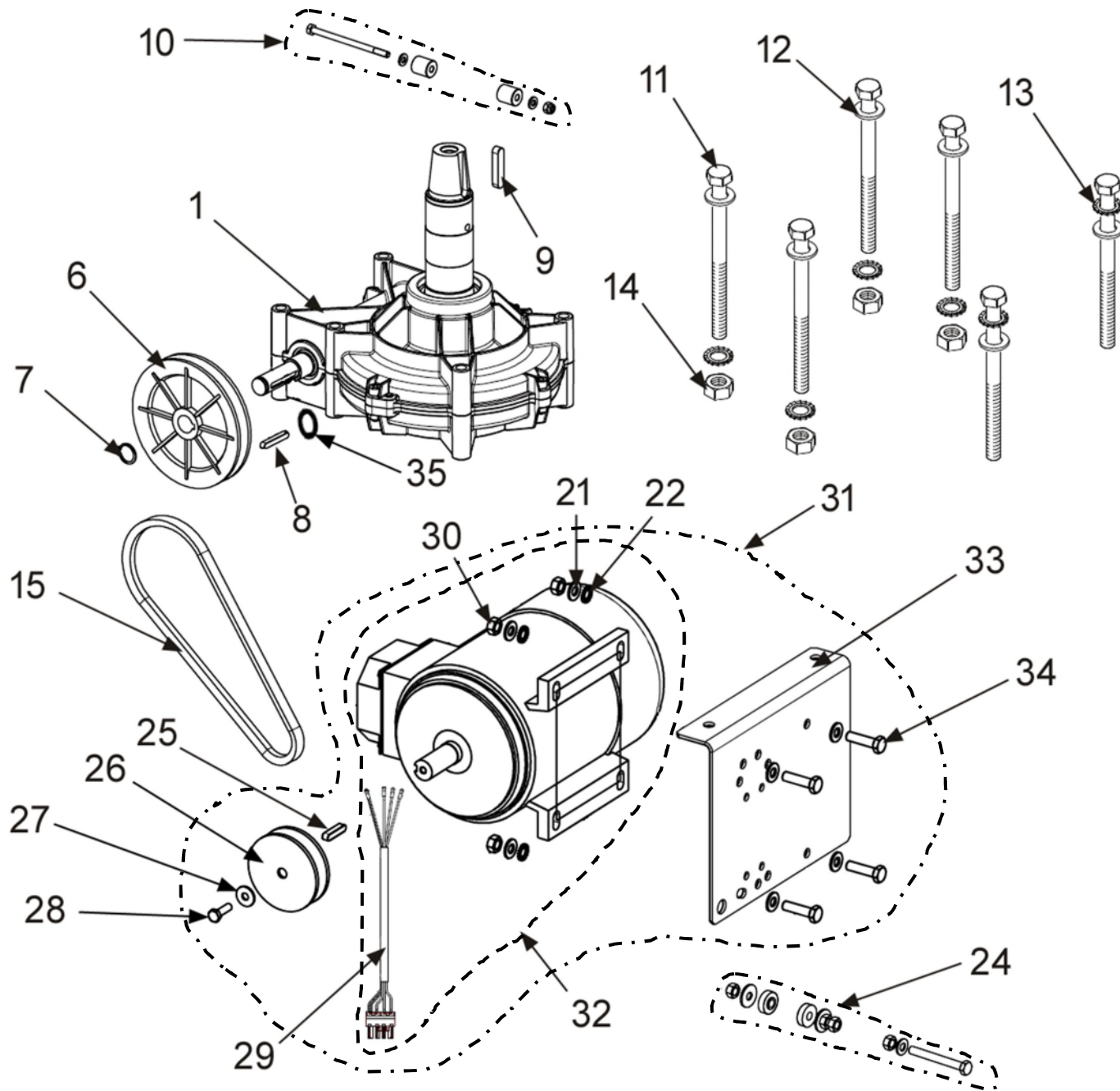


Ref	Qty	Part Number	Description	
1	1	EAA0409G85A	Turntable 24" Center Type No Gt	EAA0489G97A
2	1	EAA0351G73A	Clamp Actioning Plate	EAA0489G39A
3	8	1-25952A	Pin Dowel 5 x 10 Uni En 28734	
4	2	EAM0043G49A	Plate, Register - Clamp	
5	2	EAA0377G79A	Bracket Cylinders	
6	1	EAM0051G85A	Support, Ring	
7	1	1-18677A	Ring - Stop D 60	
8	4	EAC0099G90A	Protection Jaws New	
9	4	ST0029428	Clamp, Sliding W/Centre 20"	EAM0075G00A
10	4	EAA0408G23A	Assembled Sliding Jaw C/Type V2	
11	4	EAM0051G00A	Sliding Clamp Guide	EAS2201G51A
12	4	1-24603A	Screw Tsei 8 x 60 12.9	
13	2	EAA0410G31A	Cylinder, Turntable	
14	1	EAK0330G35A	Tt Cylinder Fittings Kit	
15	1	EAA0304G69A	Revolving Manifold, Tubeless Inflator	
16	1	EAA0338G27A	Ring - Inside, With Supports	
17	1	EAK0330G28A	Revolving Manifold Fittings Kit	
18	1	EAA0338G76A	Ring, Outer - Manifold	
19	1	EAK0306G25A	Turntable Fixing Kit	

Ref	Qty	Part Number	Description	
20	2	EAK0317G36A	Seal For Round Cylinder	
21	1	EAK0306G27A	Screws And Bolts For Turntable Cyl.	
22	2	EAK0329G89A	Screws And Bolts For Clamps	
	1	EAM0051G76A	Washer 30 x 10 x 3	
	2	EAM0051G74A	Washer 30 x 17 x 0.3	
	1	EAM0043G19A	Eccentric Bushing	
	1	1-54409A	Screw M10 x 70	
23	2	EAK0329G88A	Screws And Bolts With Eccentric	
	1	EAM0051G75A	Sliding Rod Spacer 30 x 10 x 8	
	2	EAM0051G74A	Washer 30 x 17 x 0.3	
	1	EAM0043G19A	Eccentric Bushing	
	1	1-54409A	Screw M10 x 70	
24	3	ST0013161	Seal O-Ring D 69.44 x 3.53	8-10814A
25	1	EAS2153G40A	Turntable Flange, C/Type	EAA0481G73A
26	2	1-11633A	Nut - Hex M6 6S	
27	2	EAM0051G90A	Support, Pipe Gt (White Galvan.)	
28	1	EAK0341G62A	Turntables Hoses Kit	
29	4	1-36109A2	Screw 5 x 10	
30	1	EAK0341G63A	Turntable Hoses Kit For Gt	
31	2	1-14379A	Fitting - 90 Deg L 1/4 8 x 10	
32	2	EAM0051G83A	Pipe For Terminal Gt	
33	2	1-27379A	Fitting, Swift F 8 x 10 1/4"	1-14479A
34	1	EAA0338G77A	Spring, Joint Sealing	
35	1	EAC0087G50A	Seal Tubeless Inflator - Front Joint	
36	2	ST0019653	Front Cylinder Flange, Shaft end	
37	2	ST0019652	Rear Cylinder Flange	
38	2	ST0001368	Straight Fitting 4 x 6 mm 1/8" (Nut & Ferrule)	1-27179A
39	2	1-18879A	Elbow Fitting 4 x 6 mm 1/8" (Nut & Ferrule)	
40	1	EAA0458G96A	Anti Entrapment Protection Kit 24"	

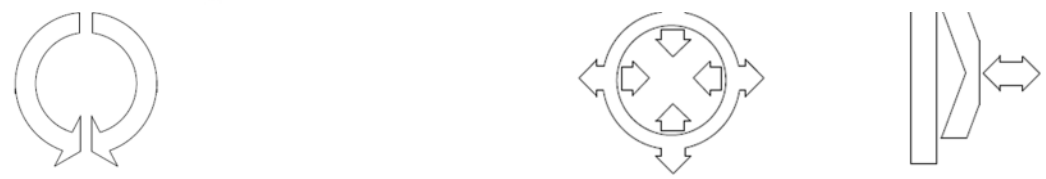
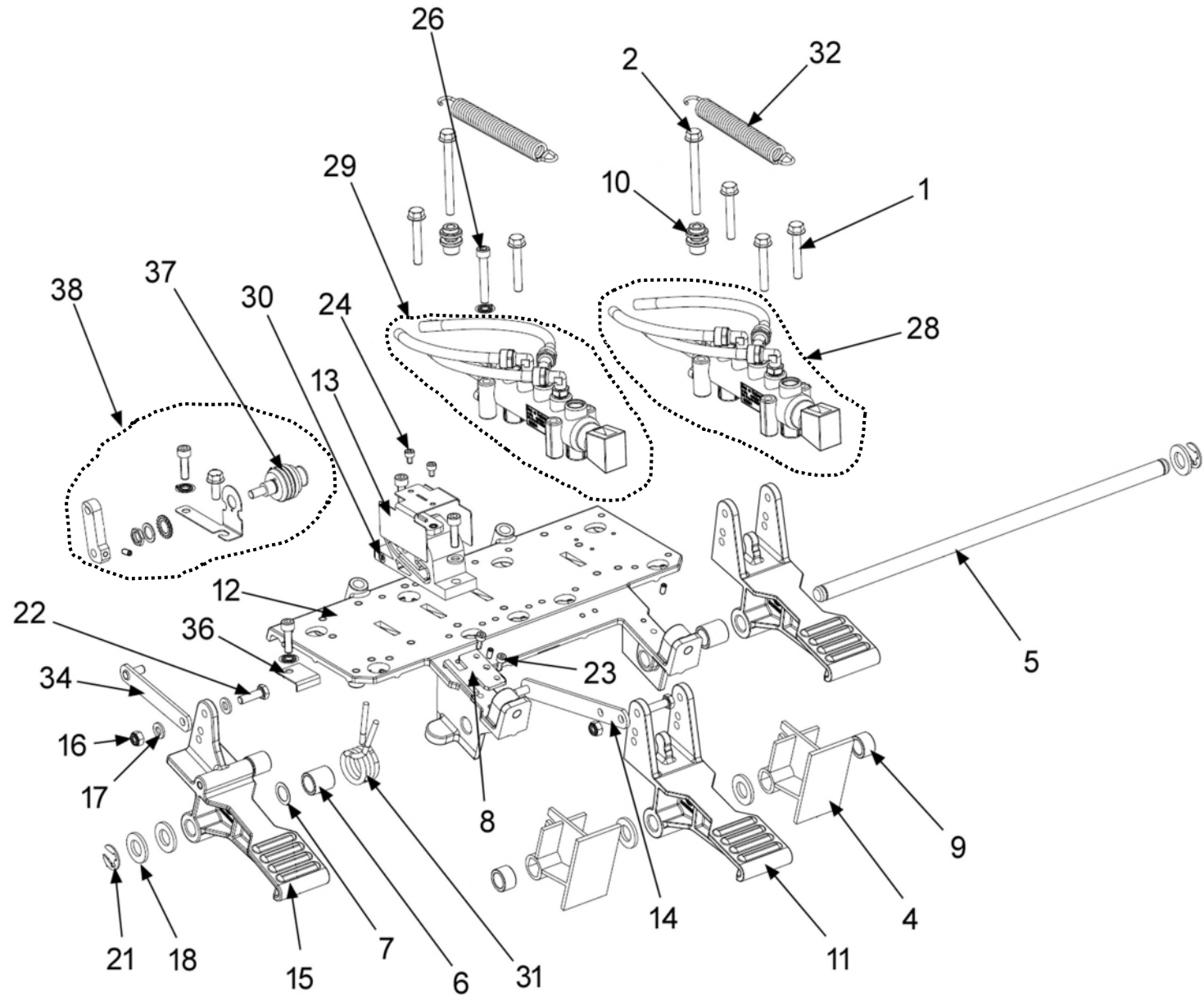


Motor Assembly From May 2020 (78BEPxxx) to Present



Ref	Qty	Part Number	Description
1	1	EAA0382G23A	Gearbox
2	1	EAA0270J51A	Motor Assembly For Inverter US
3	1	EAA0270J50A	Ass'y - Motor With Inv. Cable, US w/o mounting hardware
4	1	EAW0282G24A	Inverter - Motor Cable CSA
5	1	EAS2029J69A	Support - Motor
6	1	EAC0096G37A	Pulley 1 Groove EAM0125G94A
7	1	1-18577A	Ring Snap Shaft D 19
8	1	1-03472A	Key 6 x 6 x 45 1-772
9	1	1-1572	Key 10 x 8 x 45
10	1	EAK0279G67A	Antirotaion Kit
11	6	1-50401A	Screw M10 x 160
12	6	1-10141A1	Washer D 10
13	6	13148	Washer M10 Ext Shakeproof
14	4	1-15433	Nut M10
15	1	EAC0099G95A	V Belt A27
16	1	1-48910A	Screw STEI 6 x 10 - Plane 12K Br
17	1	1-50410A	Screw STEI 6 x 12 12K Br
18	1	EAM0043G99A	Pulley, Double
20	4	1-15933A	Nut Hex M8 - 1.25 mm
21	8	1-10041	Washer, Plain M8
22	4	1-3048	Lock Washer
23	4	1-32601	Screw - HHCS 8 x 20
24	1	EAK0279G66A	Belt Tightener Kit
25	1	1-472A	Flat Key 6 x 6 x 28
26	1	EAM0125G93A	Pulley 1 Groove 60 HZ
27	1	1-20041A	Washer D 6
28	1	1-14801A	Screw Hex Head M6 x 20
29	1	EAW0282G99A	Motor Cable with Connector
30	4	1-11733	Nut M8
31	1	EAA0471G71A	Motor Assembly For Inverter US
32	1	EAA0410G01A	Motor with Cable for Inverter w/o mounting hardware
33	1	EAS2131G28A	Motor Support
34	4	1-32801A1	Screw Hex Head M8 x 30
35	1	1-24477A	Wave Washer 19 mm ID

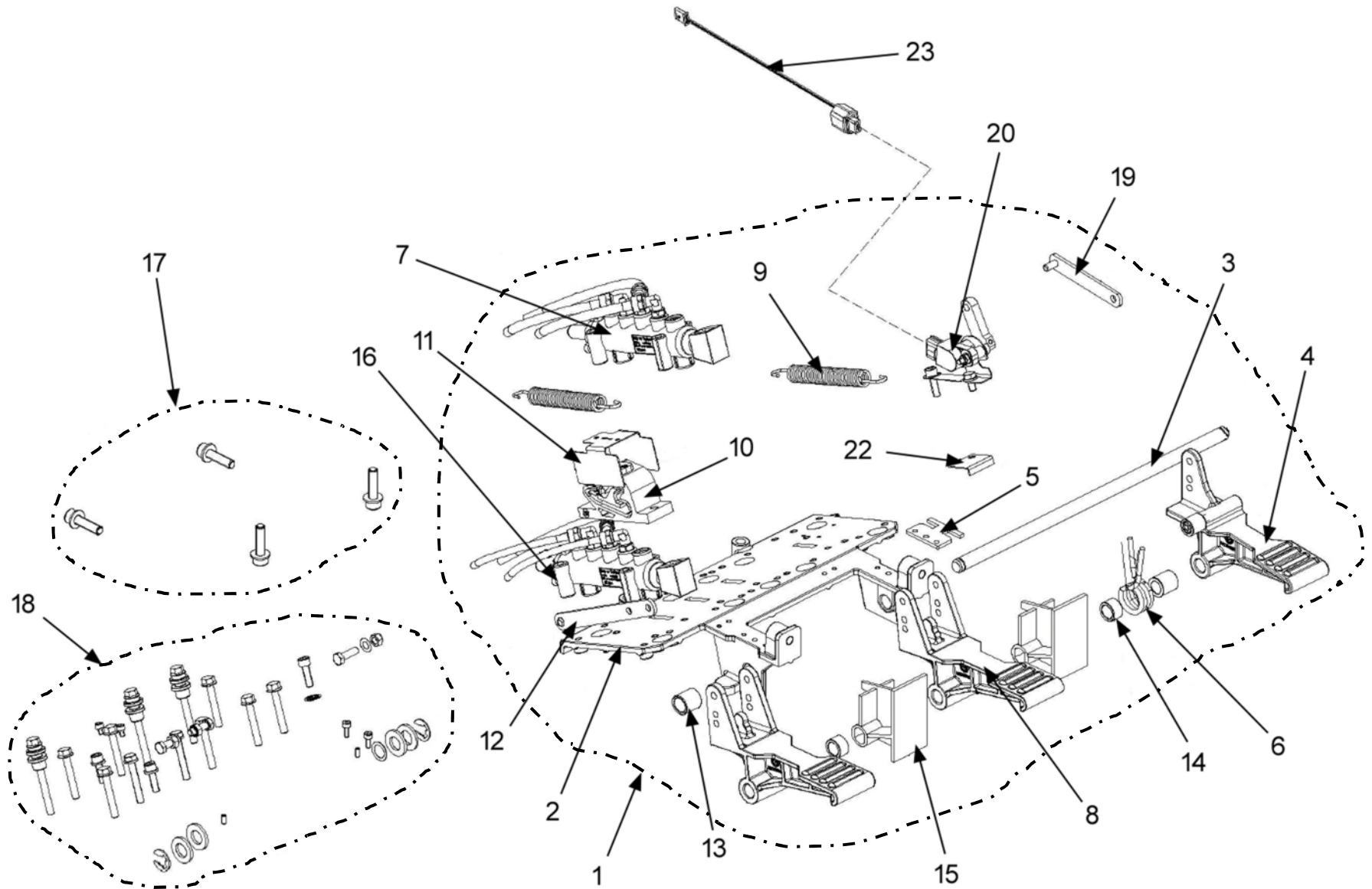
Pedal Assembly used from June 2017 (78BFLxxx) to May 2020 (78BEPxxx)



Ref	Qty	Part Number	Description
1	5	1-12626A	Screw Hex Flange Head M6 x 40 mm
2	2	1-12726A	Screw Hex Flange Head M6 x 65 mm
3	1	1-16826A	Screw Hex Flange Head M6 x 16 mm
4	2	EAC0096G11A	Spacer - Pedal
5	1	EAM0068G10A	Shaft - Hinge Pedal
6	2	EAM0048G79A	Bushing Centering Spring
7	1	1-25241A	Shim Ring 12.2 x 18 x 0.3 mm
8	1	EAM0070G32A	Commutator Spring Guide
9	2	EAM0070G46A	Spacer L=11 mm Centering Spring
10	2	EAC0099G82A	Spring Fixing Pawl
11	2	EAM0068G95A	Standard Pedal Machined
12	1	EAM0068G80A	Pedal Assembly Support - Machined
13	1	EAS2115G09A	Protection Sheet For Cam
14	1	EAS2111G73A	Rod Positioner Pedal
15	1	EAA0356G93A	Left Switch Foot Pedal
16	2	1-9933	Nut, Prevailing Torque N6
17	4	1-9841	Washer, Plain D 6
18	5	1-10241A	Washer, ISO 7089
19	3	1-1548	Washer, Ext. Shakeproof D 6
20	1	13148	Ext. Shakeproof D 10
21	2	1-18477A	Retaining Ring 10 x 1.2 mm
22	2	1-14801A	Screw, Hex Head Machine M6 x 20
23	2	1-13409	Screw, Hex Socket, M4 x 10 mm
24	2	1-46809	Screw - HSHC M4 x 6 8.8
25	4	1-16409	Screw - Hex Socket Head Cap Din 912

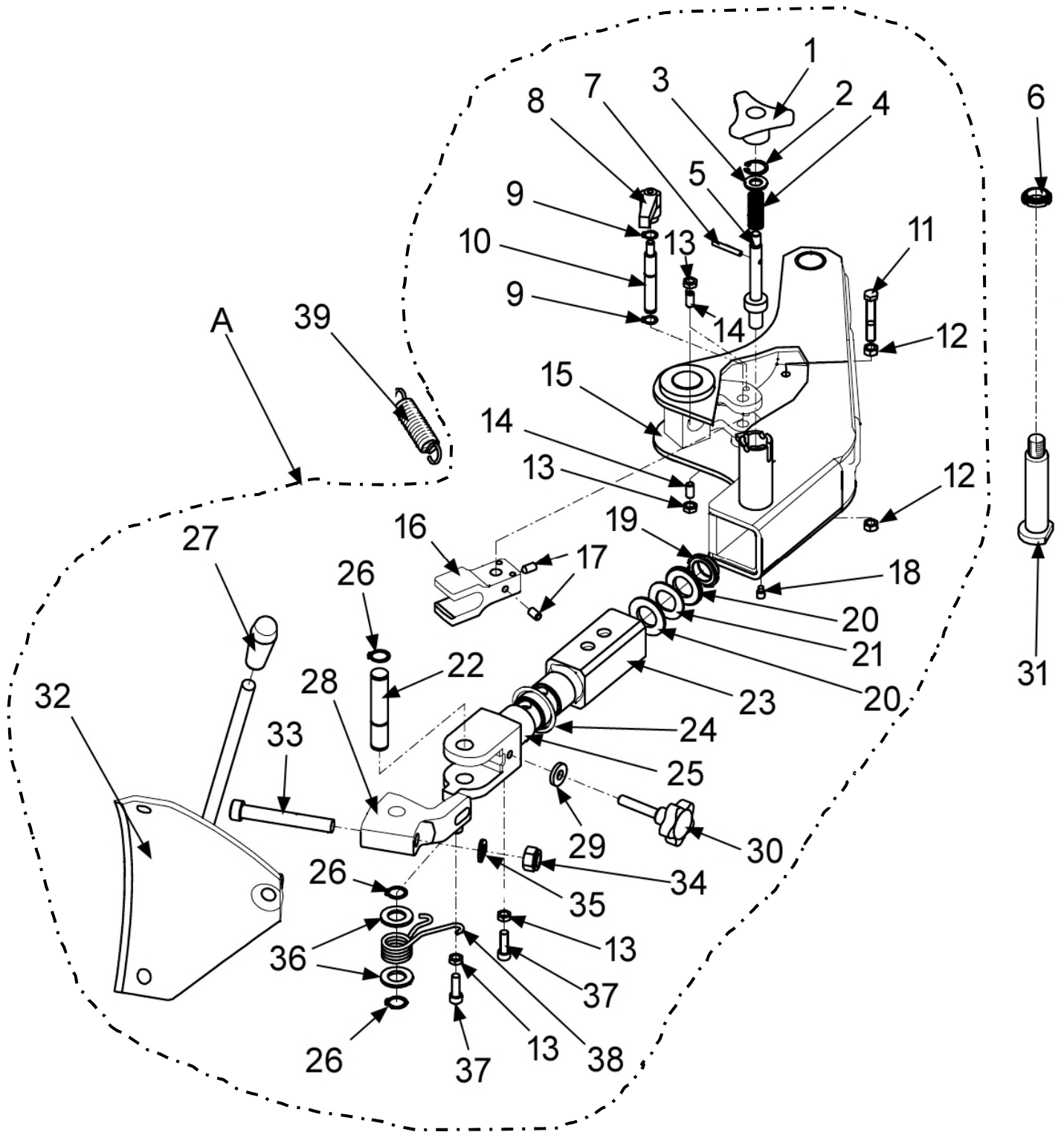
Ref	Qty	Part Number	Description
26	1	1-56209A	Screw, Hex Socket Head M6 x 40
27	3	1-38910	Screw M4 x 8 Set
28	1	EAA0440G87A	Bead Breaker Pedal Hoses With Valve
	1	EAA0356G94A	Bead Breaker Valve
29	1	EAA0440G88A	Turntable Pedal Hoses With Valve
	1	EAA0356G94A	Turntable Valve
30	1	EAC0103G56A	Foot Pedal Cam
31	1	EAM0075G56A	Spring, Pedal Switch 2 Speed
32	2	EAM0147G64A	Spring Recall Pedals
33	1	EAS2132G65A	Potentiometer Rod
34	1	EAS2132G66A	Rod Potentiometer Pedal
35	1	EAS2133G21A	Potentiometer Support Foot Ped. (L)
36	1	EAS2140G76A	Foot Pedal End Stroke
37	1	EAW0282G25A	Pedal Cable With Potentiometer (L)
38	1	EAK0316G71A	Kit - Potentiometer Group

Pedal Assembly used from June 2020 (78BFPxxx) to Present



Ref	Qty	Part Number	Description	
1	1	EAA0481G84A	3P Control Pedal With Potentiometer	
2	1	EAM0068G80A	Pedal Asm Support - Machined	
3	1	EAM0068G10A	Shaft - Hinge, Pedal	
4	1	EAA0356G92A	Right Switch Foot Pedal	
5	1	EAM0070G32A	Commutator Spring Guide	
6	1	EAM0075G56A	Spring, Pedal Switch 2 Speed	
7	1	EAA0440G87A	Bead Breaker Pedal Hoses + Valve	
	1	EAA0356G94A	Bead Breaker Valve	
8	2	EAM0068G95A	Standard Pedal - Machined	
9	2	EAM0147G64A	Spring Recall Pedals	EAM0075G91A
10	1	EAC0103G56A	Cam For Pedal	
11	1	EAS2115G09A	Protection Sheet For Cam	
12	1	EAS2111G73A	Rod Positioner Pedal	
13	2	EAM0048G79A	Bushing, Centering - Spring	
14	2	EAM0070G46A	Spacer L=11 mm	
15	2	EAC0096G11A	Spacer - Pedal	
16	1	EAA0440G88A	Turntable Pedal Hoses + Valve	
	1	EAA0356G94A	Turntable Valve	
17	1	EAK0279G96A	Control Pedals Mounting Kit	
18	1	EAK0279G39A	Nuts / Screws For Foot Pedal Asm	
19	1	EAS2132G66A	Rod Pedal Potentiometer	
20	1	EAA0425G42A	Pedal Potentiometer	
	1	EAK0390G51A	Pedal Potentiometer w/lever	
22	1	EAS2140G74A	End Stroke For Pedal	
23	1	EAW0286G08A	Cable For Cts Potentiometer	

June 2017 (78BFLxxx) to March 2018 (78BCMxxx)

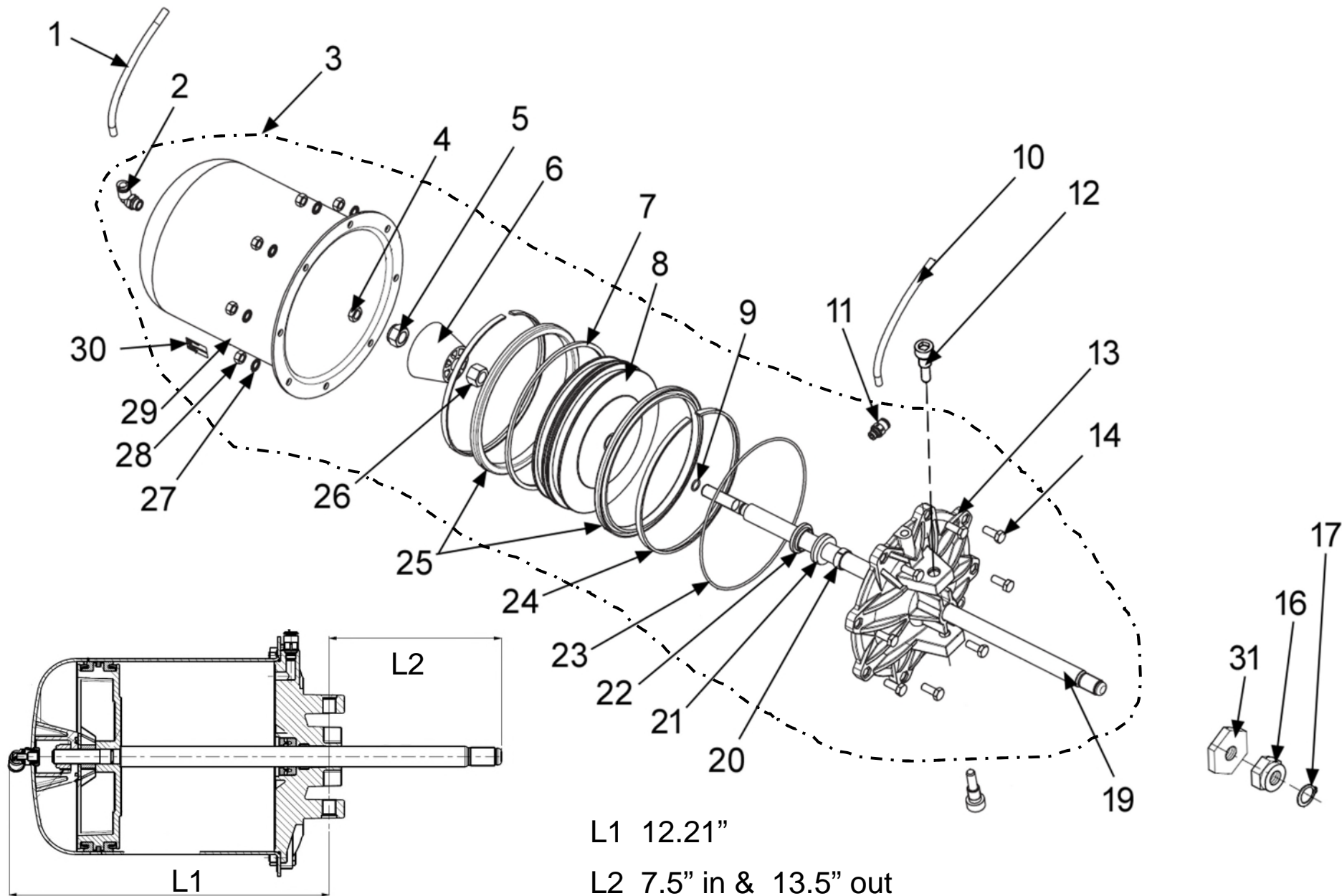


Ref	Qty	Part Number	Description
A	1	EAA0344G08A	Bead Breaker Arm Assembly
1	1	1-02112A	Three Armed Handwheel
2	1	ST7022269	Snap Ring D 24 1-19177A
3	1	1-10241A	Washer Piston D 12
4	1	ST0003523	Spring Handle, Bead EAM0052G37A
5	1	EAM0052G70A	Blade Positioning Pin
6	1	1-02138A	Ring Nut Metal
7	1	1-8552	Pins Straight Slotted
8	1	8-10933A	Adjustable Handles
9	2	1-3677	Snap Ring D 12 ST7022059
10	1	EAM0052G73A	Stopper Rod
11	1	1-19301	Hex Head Screw 8 x 55
12	2	1-11733	Nut M8
13	4	1-15933A	Nut Hex M8 - 1.25
14	2	1-51810A	Locking Device with Ball
15	1	EAS2096G02A	Bead Breaker Arm
16	1	EAM0052G72A	Two Position Stopper
17	2	1-22210A	Screw 8 x 16
18	1	1-51710A	Screw 8 x 12
19	1	1-02338A	Ring Nut Metal Lock M25 x 1.5
20	1	1-25341A	Plane Washer D 25
21	1	1-06246A	Washer D 25
22	1	EAM0052G71A	Blade Rod
23	1	EAS2097G84A	Guide
24	1	EAM0052G76A	Plane Washer
25	1	EAM0052G69A	Worked Rod

Ref	Qty	Part Number	Description	
26	3	1-4177	Seeger D 18	
27	1	EAC0078G04A	Handle Rubber	
28	1	EAM0052G74A	Worked Floating Forged	
29	1	1-20741A	Plain Washer	
30	1	1-03412A	SCR Wing	
31	1	EAM0086G16A	Fulcrum Pin Bead Breaker	
32	1	ST4021305	Bead Breaker Blade	EAS2087G93A
33	1	1-22609	Screw Hex Socket M14 x 110	
34	1	ST7020409	Nut - S Lock, Low M14	1-10433
35	1	ST7021329	Washer D 14.2	1-06346A
36	2	1-10541	Washer D 18	
37	2	1-17809A	Screw 8 x 25	
38	1	EAM0052G75A	Torsional Spring	
39	1	EAM0067G69A	Spring - Recall Arm	0001229

# Bead Breaker Cylinder

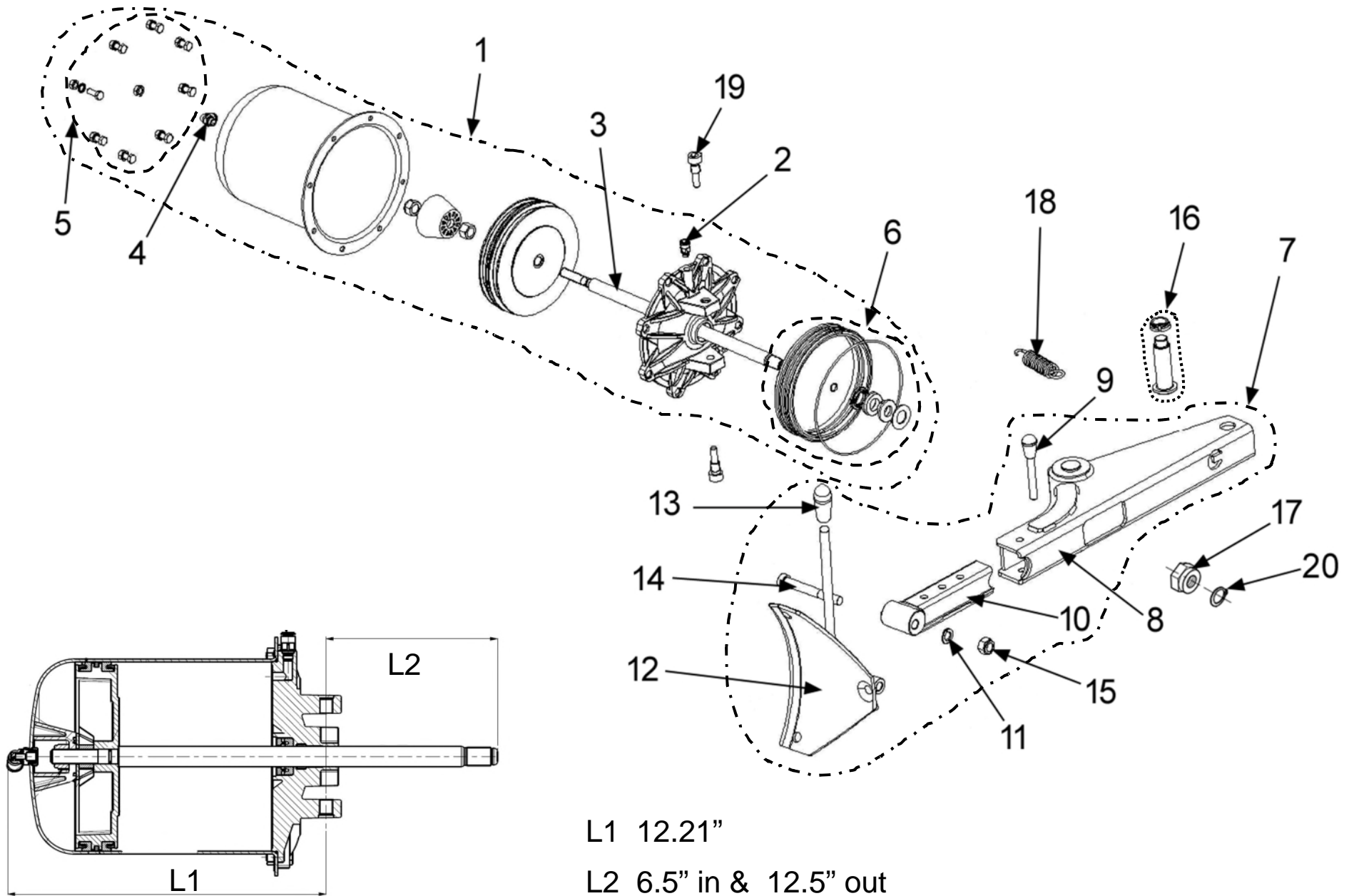
From June 2017 (78BFLxxx) to March 2018 (78BCMxxx)



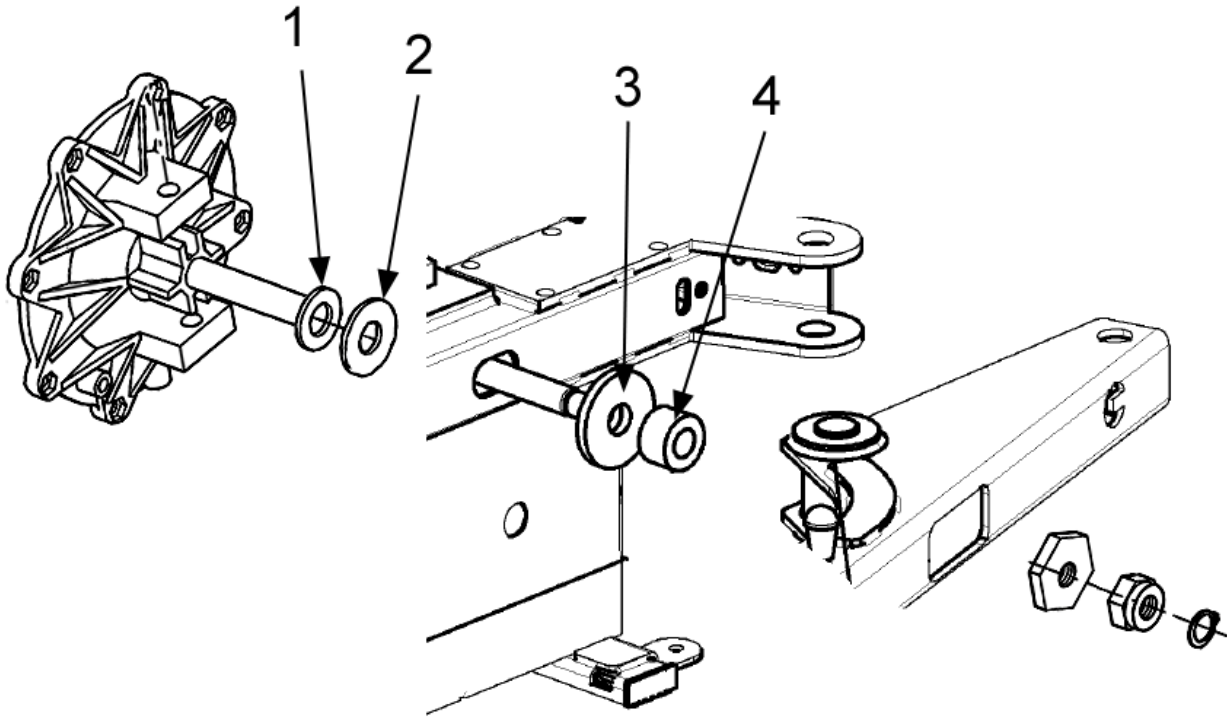
Ref	Qty	Part Number	Description	
1	mr	5-06335A	Hose - Air 6 x 8 (sold by the meter)	EAM0069G97A
2	1	1-20179A	Fitting "L" 6 x 8	
3	1	EAA0329G51A	Cylinder, Bead Breaker	
4	1	1-16433A	Nut 1/4" x 0.25"	
5	1	ST7020409	Nut - S Lock, Low - M14	1-10433
6	1	EAM0048G04A	Limit Switch Rubber Pad	
7	1	ST0010597	Ring - Plastic	EAC0078G35A
8	1	ST0009279	Piston	EAC0094G40A
9	1	8-18314A	Seal - O-Ring D 11	
10	mr	5-06335A	Hose - Air 6 x 8 (sold by the meter)	EAM0069G97A
11	1	ST0001924	Fitting - St 6 x 8 1/8	1-11379A
12	2	EAM0067G34A	Screw, Fitting - Cylinder B/Break	
13	1	ST0013409	End Cap - Cylinder / Bead Breaker	EAC0078G36A
14	8	1-32601	Screw M8 x 20	
16	1	1-24833A	Nut M18 x 1.5 Self Locking	
17	1	1-3977	Retaining Ring For Shafts D 16	
19	1	EAM0048G06A	Rod Bead - Breaker Cylinder	
20	1	ST0024686	Ring For Rod Guide D 20	EAC0078G18A
21	1	ST0001683	Seal, Lip ID 20 OD 36 Th. 8 On Shaft	8-09614
22	1	ST0001684	Retainer - Seal D 20	EAC0078G10A
23	1	8-10014A	O-Ring ID 183.82 x 2.62	
24	2	ST0001470	Ring - Piston, Bead Breaker	EAC0078G34A
25	2	ST0001415	Seal - Lip N D 184	8-10114A
26	1	1-20433A1	Nut - Lock M14 6S White Zinc	
27	8	1-1748	Washer Shakeproof D 8	
28	8	1-11733	Nut M8	
29	1	EAS2068G62A	Cylinder Chamber	
30	1	EAL0383G03A	Plate Cylinder D.E.	
31	1	EAM0067G74A	Hex Washer Thread M18 x 1.5	
NS	1	EAK0306G19A	Cylinder Seal Kit includes items #9, 15, 18, 20, 21, 22, 23, 24, 25	

# Bead Breaker Assembly

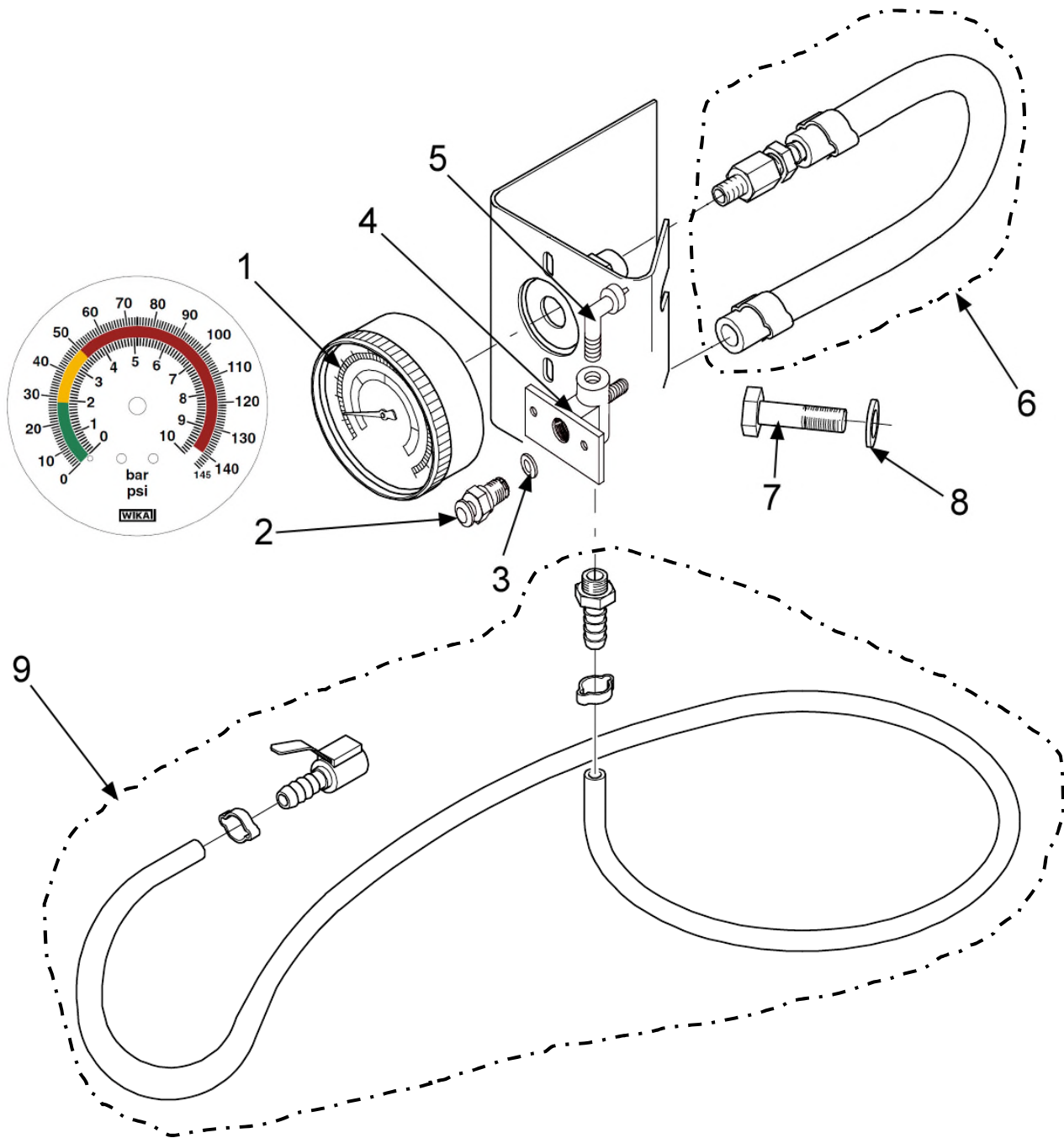
From April 2018 (78BDMxxx) to Present



Ref	Qty	Part Number	Description	
1	1	EAA0329G49A	Tc 22" Bead Breaker Cylinder	EAA0377G31A
2	1	ST0001924	Fitting - St 6 x 8 1/8	1-11379A
3	1	EAM0048G07A	Rod Bead - Breaker Cylinder	EAM0085G80A
4	1	1-20179A	Fitting "L" 6 x 8	
5	1	EAK0306G16A	Screws And Bolts For Bead Breaker	
6	1	EAK0306G19A	Seals For Bead Breaker Cyl.	
7	1	EAA0338G44A	Complete Bead Breaker Arm	
8	1	ST4025385	Arm Support, Bead-Breaker Support	EAS2108G27A
9	1	EAA0328G72A	Pin - Lock	
10	1	ST4022408	Extension - Arm, B/Breaker	EAS2087G90A
11	2	ST7021329	Washer 14 mm	1-5246
12	1	ST4021305	Blade, Beadbearer	EAS2087G93A
13	1	EAC0078G04A	Handle - Rubber	
14	1	1-22609	Screw Tcei M14 x 110 8.8	
15	1	ST7020409	Nut - S Lock, Low - M14	1-10433
16	1	EAK0306G20A	Fulcrum Kit For Bead Breaker Arm	
	1	1-02138A	Ring Nut Metal S Lock M20	
	1	EAM0086G16A	Bead Breaker Arm Pin	
17	1	1-20933A	Nut (Lock) M18 x 1.5	
18	1	EAM0067G69A	Spring - Recall Arm, Bead Breaker	
19	2	EAM0067G34A	Screw, Fitting - Cylinder B/Break	
20	1	1-3977	Retaining ring for Shafts D 16	



Ref	Qty	Part Number	Description
1	1	EAM0075G25A	Washer, Felt
2	1	EAM0075G26A	Washer, Black Plastic
3	1	EAS2097G96A	Washer, Support - Bead Breaker
4	1	EAC0097G51A	Washer - Shock Absorber



Ref	Qty	Part Number	Description
1	1	8-06820A	Gauge - Air BAR / PSI
2	1	EAA0328G57A	Bleeder Valve
3	1	EAM0043G64A	Washer, Bleeder Valve
4	1	EAC0078G59A	Body Bleeder Valve
5	1	1-11479A	Fitting - L 6 x 8 1/8
6	1	EAH0049G12A	Hose - Gauge Fitting
7	2	1-32501A	Screw 8 x 16
8	2	1-10041	Washer, Plain M8
9	1	EAA0481G30A	Inflation Hose Assembly



Notice: The information contained in this document is subject to change without notice. Hofmann makes no warranty with regard to this material. Hofmann shall not be liable for errors contained herein or for incidental consequential damages in connection with furnishings, performance, or use of this material.

309 Exchange Ave  
Conway, AR 72032  
501-450-1500

---

Monty 1625 SmartSpeed Spare Parts List - EEWH748B

EEWH748B3\_TS

DSS

09/2025