

ALIGNMENT LIFTS

14K 4-POST

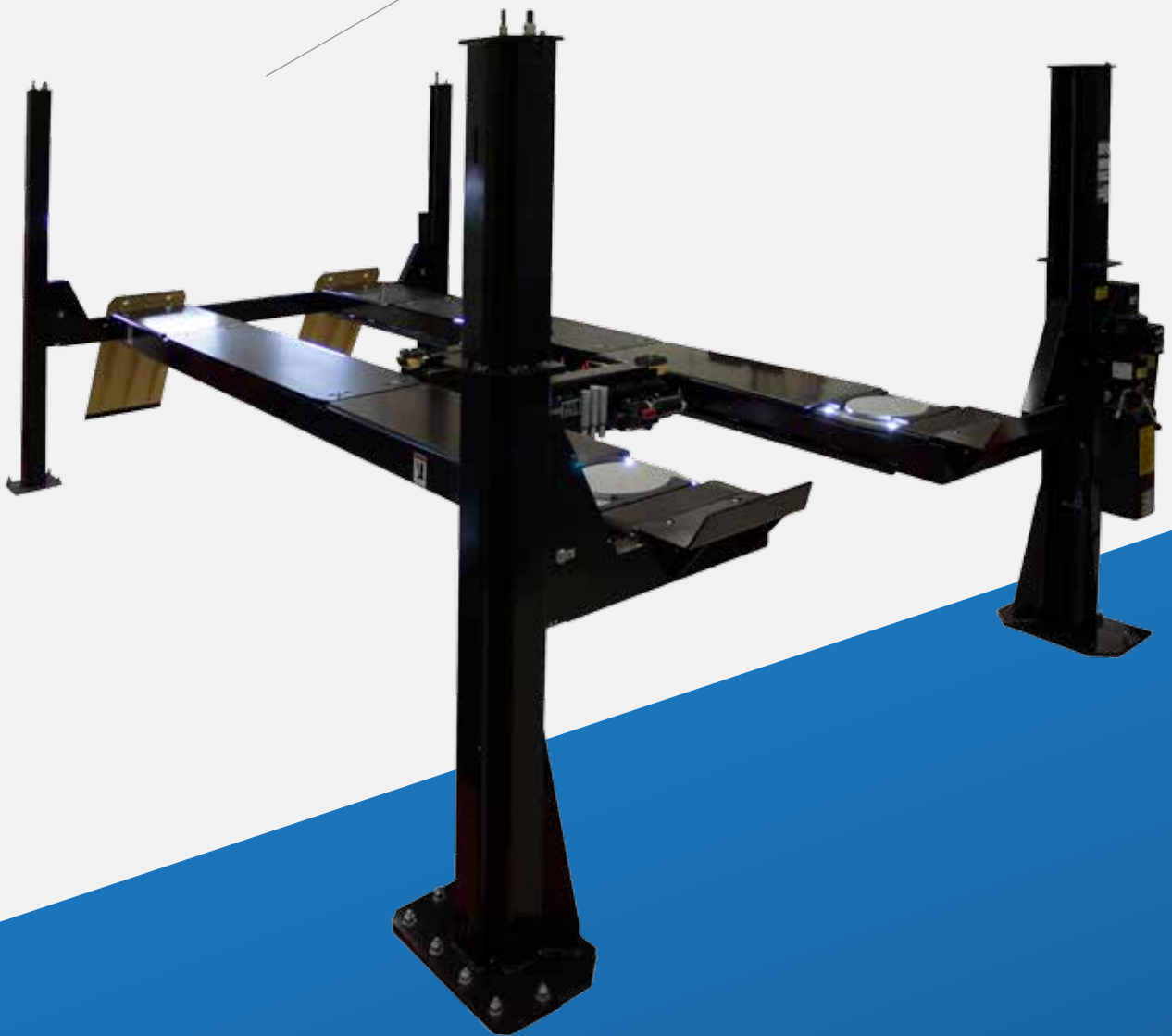


Image may vary slightly from actual product.



POWERFUL. COMPACT. PRODUCTIVE.

14K open front, four post alignment lifts give you 14,000 lbs of heavy-duty lifting capacity in a compact package with no need for multiple lifts. Whether it is a micro car or a heavy-duty pick-up, the 14K four post alignment lift has four wheel alignment capabilities that cover a full range of vehicle requirements. Industry leading 90" long rear slip plates eliminate time consuming repositioning of front turnplates to accommodate shorter and longer vehicles during four wheel alignment adjustments.



HEAVY-DUTY LIFTING IN A COMPACT PACKAGE

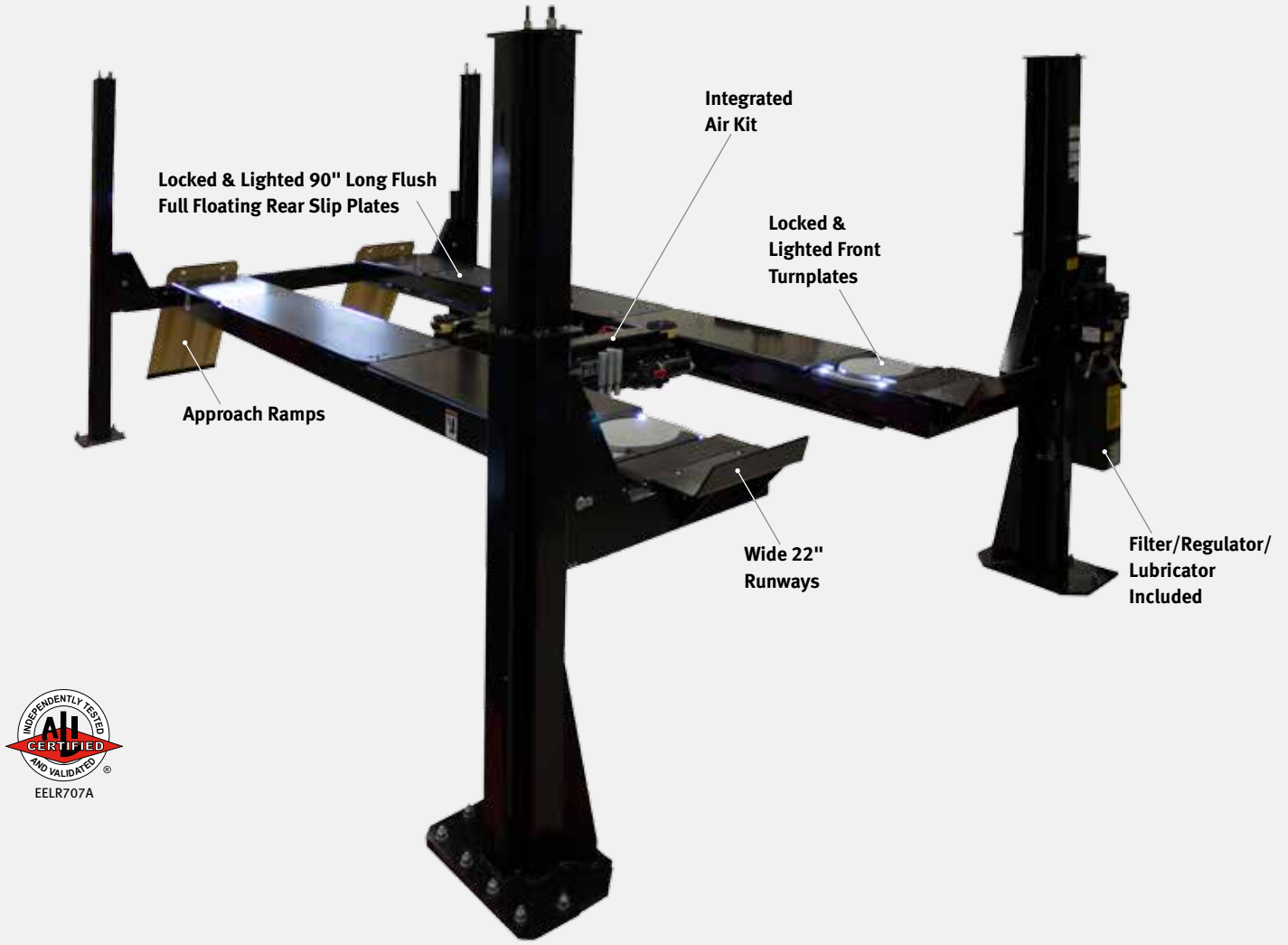
LOCK & LIGHTED MODEL (EELR707A)

- Increases productivity by locking turnplates and slip plates simultaneously
- Ensures the proper amount of movement in all directions, easing alignment inspection and adjustment
- Patented lighting system is mounted to the front turnplates and rear slip plates, accommodating varying vehicle track widths
- Crisp, clean white light reduces eye straining and fatigue

EASY ACCESS FOR ALIGNMENT SERVICE AND CALIBRATION

- Open front design allows technicians clear access to suspension, brake and alignment components; making adjustment and repairs simple
- 22" wide "Pro-Style" runways save time when loading vehicles of any track width





Locked & Lighted Turnplates



Slip Plates



Low Profile Roller Jacks



Approach Ramps with Non-Marking Slider

STANDARD ACCESSORIES

LOW-PROFILE ROLLER JACKS (EELR510A)

Interchangeable fast fit adapters for brake, tire and alignment services; air over hydraulic controls requiring only 90 - 120 PSI air pressure; high lifting height; no requirement to swing away for storage



REAR SLIP PLATES

- Maintenance reduced
- Encapsulated bearings
- Flush mount
- 90" long



PREMIUM TURNPLATES*

Part #: EAK0289J06A

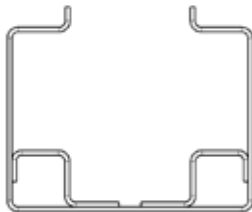
*Optional on EELR705A

EELR707A includes lights and locks on the front turnplates and full floating rear slip plates



REINFORCED FORMED FRONT STEEL COLUMNS

Dramatically improves column strength



FEATURES

- Low drive-on height of 7" allows for shorter approach ramps while maintaining easy approach angle
- Fiber wound bushings excel under high pressures, low rev. conditions and are self lubricating; eliminating downtime due to seized bearings
- Innovative cable break lock uses reliable compression spring activation to reduce maintenance, compared to traditional tension springs that stretch and deform
- Filter/Regulator/Lubricator provides clean, lubricated air supply to the lift

TECHNICAL SPECIFICATIONS

Part number (non-Lock & Lighted)	EELR705A
Part number (Locked & Lighted)	EELR707A
Capacity	14,000 lbs (6,350 kg)
Front accessibility	Open
Minimum/Maximum four wheel alignment wheel base	70"/158" (177.8/401.3 cm)
Maximum two wheel alignment wheel base	188" (477.52 cm)
General service wheel base	205" (520.7 cm)
Runway width	22" (55.88 cm)
Distance between runways	40" (101.6 cm)
Overall width	140.5" (356.87 cm)
Overall length	270.63" (687.4 cm)
Lifting height	74" (187.96 cm)
Lowered height	7" (17.78 cm)
Lifting time	70 seconds
Shipping weight	4,850 lbs (2,200 kg)
Power requirements	230V 1Ph 60Hz

ROLLER JACK SPECIFICATIONS

Part number	EELR510A
Maximum capacity	7,000 lbs (3,175 kg)
Minimum arm reach	31" (78.7 cm)
Maximum arm reach	52.625" (134.6 cm)
Raised height	14.563" (37 cm)
Lowered height with/without lift pad	3.0625"/2.375" (7.79/6 cm)
Standard extension adapters	3" and 6" (7.6 and 15.2 cm)
Air requirements	90 - 120 PSI
Shipping weight	329 lbs (149 kg)

For more information about the 14k Open Front Four Post Alignment Lifts, please visit www.hofmann-usa.com or www.hofmann.ca

Hofmann is committed to product innovation and improvement. Therefore, specifications listed in this sell sheet piece may change without notice. ©2016 Snap-on Incorporated. All rights reserved. Hofmann is a trademark, registered in the United States and other countries, of Snap-on Incorporated. All other marks are marks of their respective holders. 05/16 SS3312B

