



Model 44214QE



Reaching New Heights In Productivity, Durability & Dependability



Four-Post

Alignment Lifts



Four-Post Alignment Lifts

Versatile, Safe & Durable

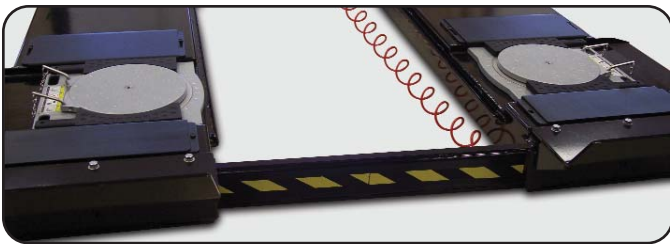
John Bean's 4-Post alignment lifts represent the latest in dependability by delivering a flat & straight runway every time. They also provide the best safety system in the industry. John Bean's three-tier safety system relies on heavily re-inforced runways and roll-formed steel columns that minimize deflection & are incredibly durable.



Available Configurations

Closed-Front

- 4412405ST - 12K, 154" Max Wheelbase*
- 44212Q - 12K, 172" Max Wheelbase*
- 442128Q - 18K, 210" Max Wheelbase*



Open-Front

- 442120Q - 12K, 172" Max Wheelbase*
- 442120QE - 12K, 210" Max Wheelbase*
- 44214Q - 14K, 172" Max Wheelbase*
- 44214QE - 14K, 210" Max Wheelbase*



Key Features

Versatile

- Easily handles any vehicle from cars to light/medium size commercial vehicles

Safe

- Three-tier safety system leverages hydraulic velocity fuses, single-point air-operated safety locks, and mechanical redundant safety locks
- ATI/ETL certified to the current ANSI Standard ALCTV 2006

Alignment-Ready

- 21 lockable and level working heights
- Cutouts for optional turnplates
- Standard air kit for optional Roller Jacks
- Additional port can be added in for customer-supplied quick disconnect allowing for an easy and convenient air tool connection point

* See specifications on last page

Choose The Right Lift For The Job



Small Cars - 4412405ST, 44212Q, 44214Q, 442120Q, 442120QE



Trucks - 44212Q, 44214Q, 44214QE, & 44218Q



Motor Homes - 44218Q



Optional Roller Jacks

- Low-profile
- High lifting height
- Interchangeable adapters for fast brake work and/or tire service

Model	Capacity	Lift Pad Height	Raised Height	Lowered Height	Shipping Weight
JBC206	6,000 lbs.	2 1/8", 5 1/2"	20" - 23 1/2"	4 3/4"	327 lbs.
JBC216	6,000 lbs.	1", 3", 6"	15" - 18" - 21"	3 3/4"	330 lbs.
JBC207	7,000 lbs.	2 1/8", 5 1/2"	20" - 23 1/2"	4 3/4"	327 lbs.
JBC217	7,000 lbs.	1", 3", 6"	15" - 18" - 21"	3 3/4"	330 lbs.
JBCWB9	9,000 lbs.	1 1/2"	10" - 13"	4 3/4"	320 lbs.

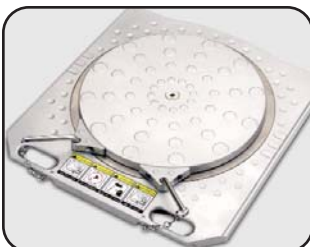


Optional Turnplate Mounting Kit

- Enables roll forward & roll backward for V3D Aligners
- Part #EAK0277J39A

Rear Slip Plates

- Durable Construction
- Multi-position Capability



Optional Premium Turnplates

- Part #EAK0289J06A

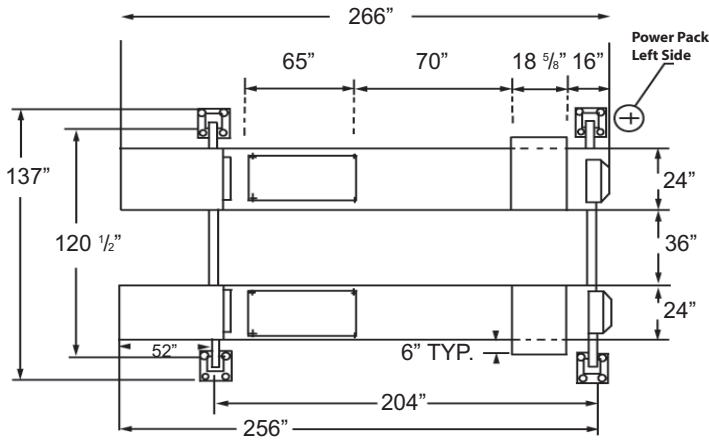
Roll-Formed Steel Columns

- Dramatically improves column strength

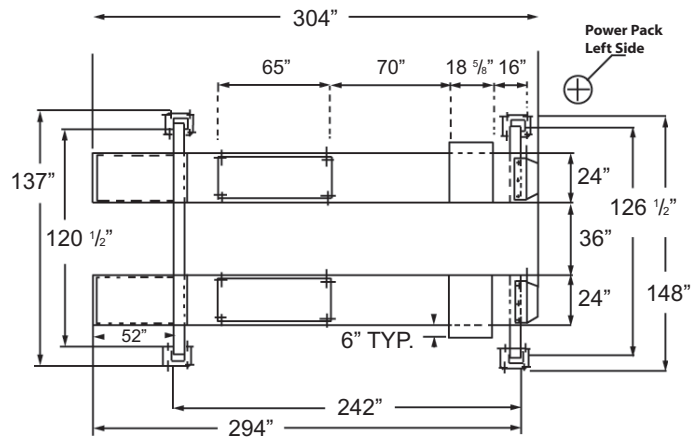




Four-Post Alignment Lifts



44212Q



442120QE/44214QE

SPECIFICATIONS

Model	4412405ST	44212Q	442120Q	442120QE	44214Q	44214QE	44218Q
Capacity	12,000 lbs.	12,000 lbs.	12,000 lbs.	12,000 lbs.	14,000 lbs.	14,000 lbs.	18,000 lbs.
Front Accessibility	closed	closed	open	open	open	open	closed
Roller Jack Model	JBC216	JBC216	JBC216	JBC216	JBC207	JBC207	JBCWB9
Max. 4 Wheel Alignment Wheel Base	144"	144"	144"	144"	144"	144"	144"
Max. 2 Wheel Alignment Wheel Base	154"	172"	172"	210"	172"	210"	210"
Deck Service	N/A	N/A	N/A	N/A	N/A	N/A	N/A
Runway Width	24"	24"	24"	24"	24"	24"	24"
Distance Between Runways	36"	36"	36"	36"	36"	36"	40"
Overall Width	137"	137"	148"	148"	148"	148"	152"
Overall Length	235"	266"	266"	304"	266"	304"	304"
Lifting Height	71"	71"	71"	71"	71"	71"	71"
Lowered Height	10"	10"	10"	10"	10"	10"	10"
Lifting Time	60 seconds	60 seconds	60 seconds	60 sec.	64 sec.	64 sec.	64 sec.
Shipping Weight	3,650 lbs.	3,810 lbs.	4,300 lbs.	5,010 lbs.	4,598 lbs.	5,100 lbs.	5,310 lbs.
Power Requirements	230V, 1 Ph	230V, 1Ph	230V, 1Ph	230V, 1Ph	230V, 1Ph	230V, 1Ph	230V, 1Ph

Visit www.snaponequipment.com for the latest product offerings and detailed information.

Snap-on Equipment / 309 Exchange Avenue / Conway, Arkansas 72032 U.S.A.
 Fax: 501-450-2085 / Toll Free: 1-800-362-4618 / International: 501-450-1568
www.SnaponEquipment.com

John Bean Canada / 6500 Millcreek Drive / Mississauga, Ontario L5N 2W6
 Customer Service: 1-800-362-4608 / Fax: 905-826-7800
www.johnbean.ca