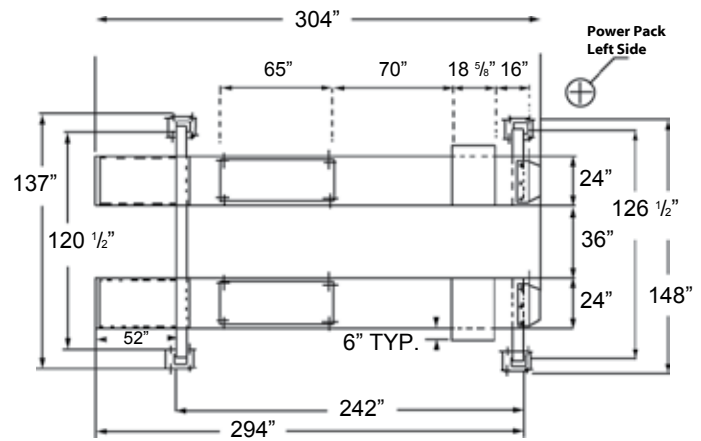


**44212Q**



**44212QE**

Contact Snap-on Technical Support for additional information on product bay layouts not shown.

## SPECIFICATIONS

Model	4412405ST	44212Q	442120Q	442120QE	EELR507A	44218Q
Capacity	12,000 lbs.	12,000 lbs.	12,000 lbs.	12,000 lbs.	14,000 lbs.	18,000 lbs.
Front Accessibility	closed	closed	open	open	open	closed
Roller Jack Model	JBC216	JBC216	JBC216	JBC216	EELR508A	JBCWB9
Max. 4 Wheel Alignment Wheel Base	144"	144"	144"	144"	70" - 158"	144"
Max. 2 Wheel Alignment Wheel Base	154"	172"	172"	210"	188"	210"
Deck Service - General Service Wheel Base	164"	182"	182"	220"	205"	220"
Runway Width	24"	24"	24"	24"	22"	24"
Distance Between Runways	36"	36"	36"	36"	40"	40"
Overall Width	137"	137"	148 1/4"	148 1/4"	140 1/2"	152"
Overall Length	235"	266"	266"	304 9/16"	269 1/2"	304 7/8"
Lifting Height	71"	71"	71"	71"	74"	71"
Lowered Height	10"	10"	10"	10"	7"	10"
Lifting Time	60 seconds	60 seconds	60 seconds	60 sec.	70 sec.	64 sec.
Shipping Weight	4,470 lbs.	4,470 lbs.	4,913 lbs.	5,690 lbs.	4,850 lbs.	6,232 lbs.
Power Requirements	230V, 1 Ph	230V, 1Ph	230V, 1Ph	230V, 1Ph	230V, 1Ph	230V, 1Ph

*The World's Largest Wheel Service Equipment Company*  
**Snap-on EQUIPMENT**

Snap-on Equipment / 309 Exchange Avenue / Conway, Arkansas 72032 U.S.A.  
Fax: 501-450-2085 / Toll Free: 1-800-362-4618 / International: 501-505-2739  
[www.snaponequipment.com/johnbean](http://www.snaponequipment.com/johnbean)

John Bean Canada / 6500 Millcreek Drive / Mississauga, Ontario L5N 2W6  
Customer Service: 1-800-362-4608 / Fax: 905-826-7800  
[www.johnbean.ca](http://www.johnbean.ca)

