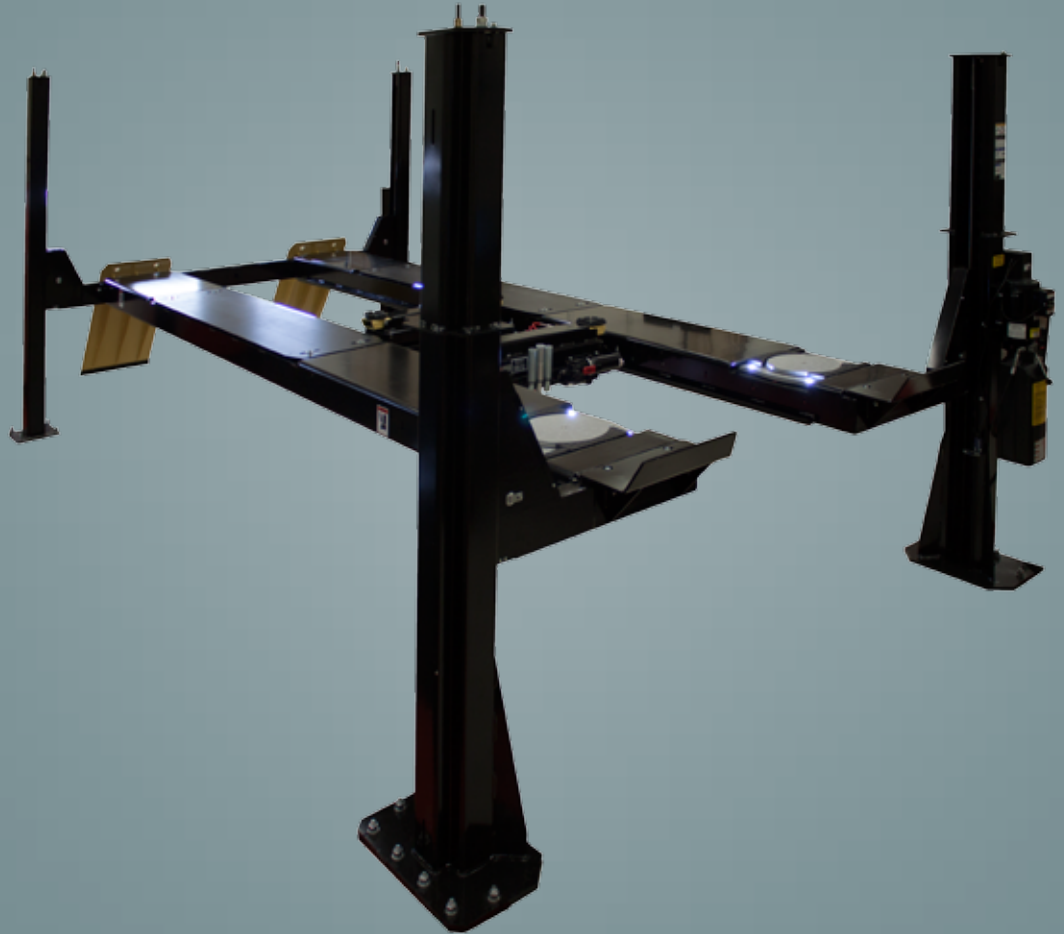


ALIGNMENT VEHICLE LIFT SYSTEMS



EELR509A



PROFESSIONAL ALIGNMENT LIFT SOLUTIONS.
PREMIUM FEATURES.

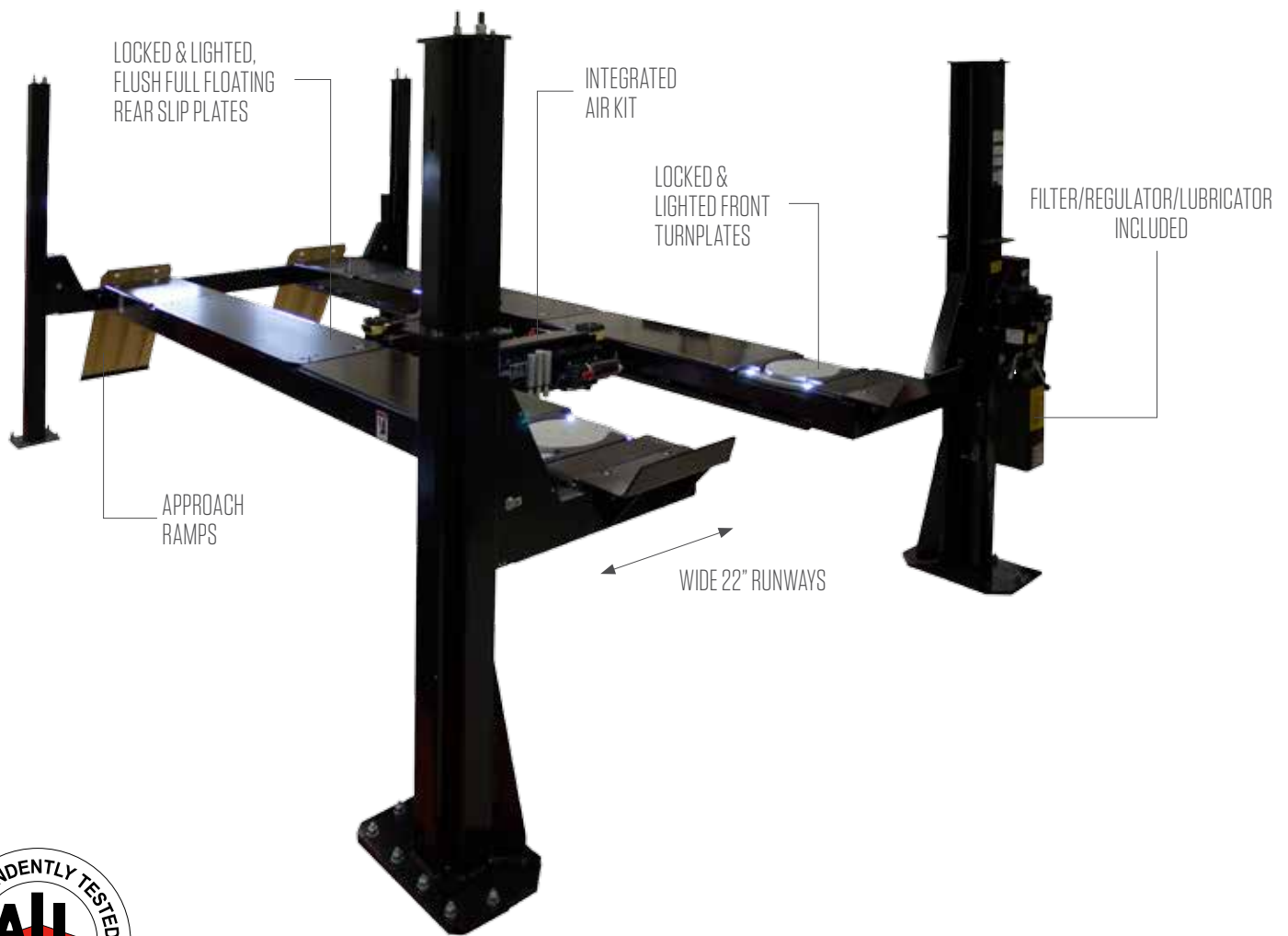
Provides heavy-duty lifting in a compact package.

INTRODUCING THE **14K 4-POST** ALIGNMENT
LIFT SYSTEM

Image may vary slightly from actual product.

JohnBean

THE 14K 4-POST ALIGNMENT LIFT POWERFUL. COMPACT. PRO



EELR509A

Image may vary slightly from actual product.

800.362.4618 (US) or 800.362.4608 (Canada)

SYSTEM. PRODUCTIVE.

FOUR POST ALIGNMENT LIFT SYSTEMS PROVIDE HEAVY-DUTY LIFTING IN A COMPACT PACKAGE.

14k Four Post Alignment Lifts give you 14,000 lbs of heavy-duty lifting capacity in a compact package with no need for multiple lifts. Whether it is a micro car or a heavy-duty pick-up, the 14k Four Post Alignment Lift has four wheel alignment capabilities that cover a full range of vehicle requirements. Industry leading 90" long rear slip plates eliminate time consuming repositioning of front turnplates to accommodate shorter and longer vehicles during four wheel alignment adjustments.

KEY FEATURES

LOCK & LIGHTED MODEL (EELR509A)

- Increases productivity by locking turnplates and slip plates simultaneously
- Ensures the proper amount of movement in all directions, easing alignment inspection and adjustment
- Patented lighting system is mounted to the front turnplates and rear slip plates, accommodating varying vehicle track widths
- Crisp, clean white light reduces eye strain and fatigue

EASY ACCESS FOR ALIGNMENT SERVICE AND CALIBRATION

- Open front design allows technicians clear access to suspension, brake and alignment components making adjustment and repairs simple
- 22" wide "Pro-Style" runways save time when loading vehicles of any track width

LOW DRIVE-ON HEIGHT

- Drive-on height of 7" allows for shorter approach ramps while maintaining easy approach angle

FIBER WOUND BUSHINGS

- Excel under high pressures, low rev. conditions and are self lubricating, eliminating downtime due to seized bearings

INNOVATIVE CABLE BREAK LOCK

- Uses reliable compression spring activation to reduce maintenance, compared to traditional tension springs that stretch and deform

FILTER / REGULATOR / LUBRICATOR

- Provides clean, lubricated air supply to the lift



Lock & Lighted Turnplates (EELR509A)



Slip Plates



Low Profile Roller Jacks



Approach Ramps with Non-Marking Slider



EELR507A & EELR509A ALI Certified

STANDARD ACCESSORIES

LOW-PROFILE ROLLER JACKS (EELR510A)

Interchangeable fast fit adapters for brake, tire and alignment services; air over hydraulic controls requiring only 90 - 120 PSI air pressure; high lifting height; no requirement to swing away from storage



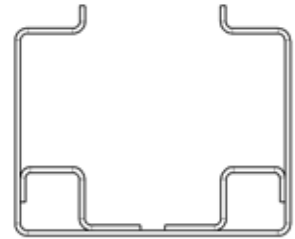
REAR SLIP PLATES

- Maintenance reduced
- Encapsulated bearings
- Flush mount



PREMIUM TURNPLATES*

- Part #EAK0289J06A
- EELR509A includes lights and locks on the front turnplates



REENFORCED FORMED STEEL COLUMNS

- Dramatically improves column strength

* Optional on EELR507A

LIFT SPECIFICATIONS

- Part Numbers: EELR507A / EELR509A
- Maximum Capacity: 14,000 lbs (6,350kg)
- Front Accessibility: Open
- Minimum - Maximum Four Wheel Alignment Wheel Base: 70" - 158" (177.8 - 401.3 cm)
- Maximum Two Wheel Alignment Wheel Base: 188" (477.52 cm)
- General Service Wheel Base: 205" (520.7 cm)
- Runway Width: 22" (55.88 cm)
- Distance Between Runways: 40" (101.6 cm)
- Overall Width: 140.5" (356.87 cm)
- Overall Length: 270.63" (687.4 cm)
- Lifting Height: 74" (187.96 cm)
- Lowered Height: 7" (17.78 cm)
- Lifting Time: 70 Seconds
- Shipping Weight: 4,850 lbs (2200kg)
- Power Requirements: 230V 1Ph 60Hz

ROLLER JACK SPECIFICATIONS

- Part Number: EELR510A
- Maximum Capacity: 7,000 lbs (3,175kg)
- Minimum Arm Reach: 31" (78.7 cm)
- Maximum Arm Reach: 52.625" (134.6 cm)
- Raised Height: 14.563" (37 cm)
- Lowered Height With / Without Lift Pad: 3.0625" / 2.375" (7.79 / 6 cm)
- 3" (7.6 cm) and 6" (15.2 cm) Extension Adapters Come Standard
- Air Requirements: 90 - 120 PSI
- Shipping Weight: 329 lbs (149kg)



For more information regarding the **14k Four Post Lifts** call **800.362.4618 (US)** or **800.362.4608 (Canada)**
www.johnbean.com / www.johnbean.ca

John Bean is committed to product innovation and improvement. Therefore, specifications listed in this sell sheet may change without notice. ©2015 Snap-on Incorporated. All rights reserved. John Bean is a trademark, registered in the United States and other countries, of Snap-on Incorporated. All other marks are marks of their respective holders.

02/16 SS3290B

JohnBean®