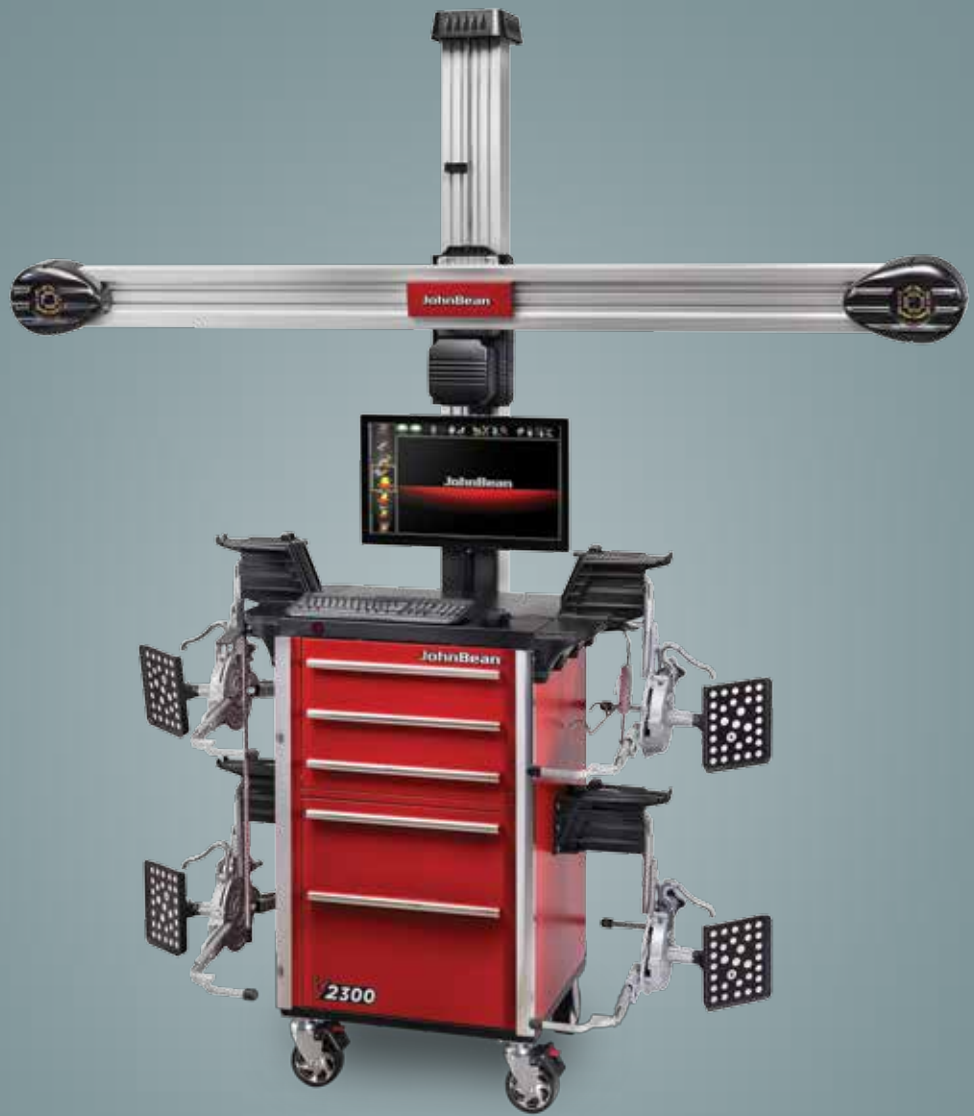


WHEEL ALIGNMENT SYSTEMS



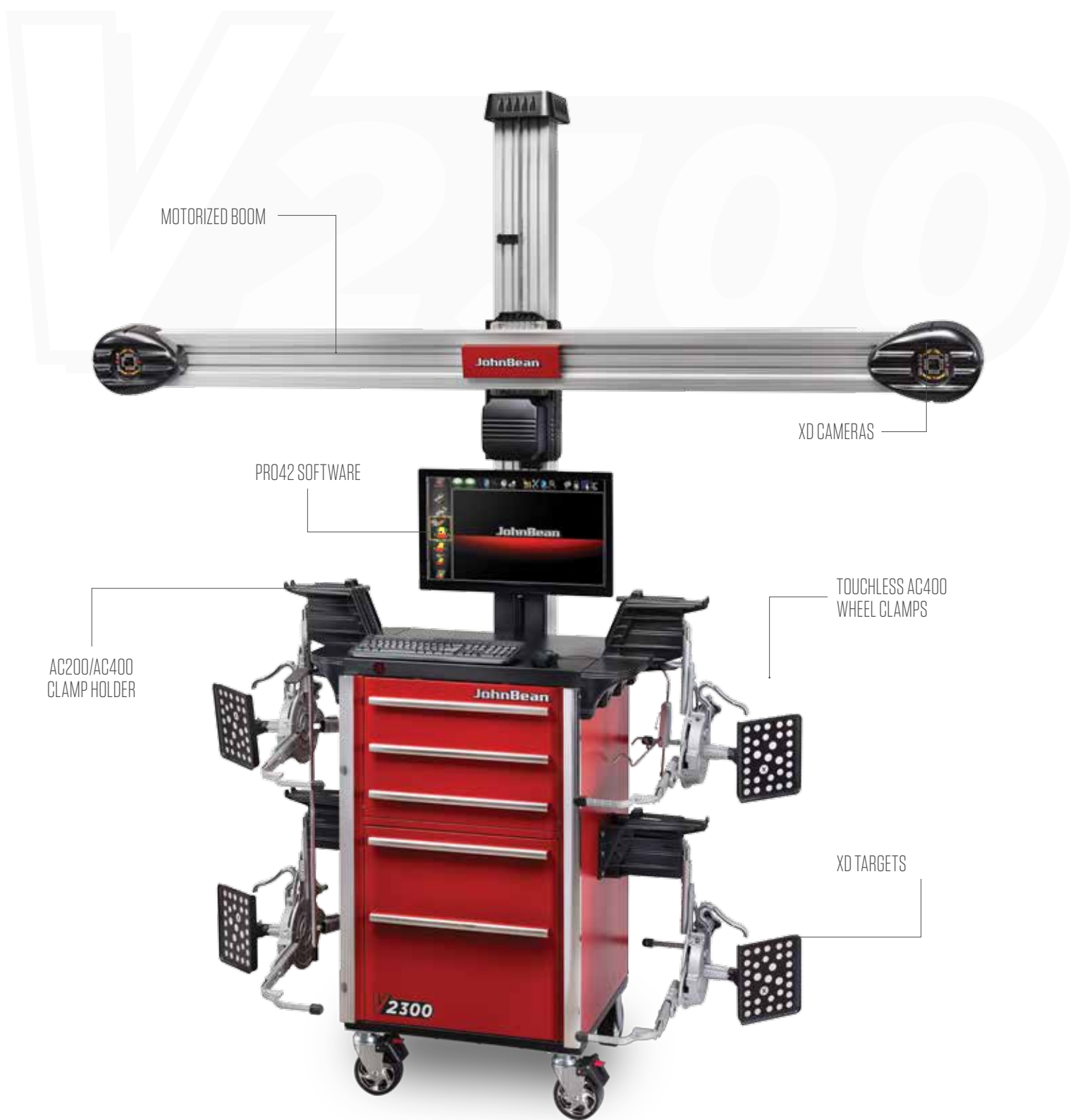
PINPOINT ALIGNMENT PROBLEMS FASTER AND EASIER THAN EVER BEFORE.

Target more alignment revenue and zero comebacks.

INTRODUCING THE **V2300** WHEEL ALIGNMENT
SYSTEM

JohnBean

THE V2300 WHEEL ALIGNMENT FAST. ACCURATE. USER-FR



T SYSTEM. FRIENDLY.

ONE OF THE MOST ADVANCED ALIGNMENT SYSTEMS AVAILABLE ANYWHERE.

The V2300 Wheel Alignment System combines unmatched accuracy and user-friendly features with a conventional imaging aligner design. And its extensive vehicle specifications database instills even more confidence and assures the job is done right the first time.

Accurate, real-time measurements are provided by our patented imaging technology, including high-resolution cameras and the industry's most advanced XD targets.

KEY FEATURES

ADVANCED DIMENSIONING*

- Cross-diagonal* measurements identify frame or structural damage
- Rolling Radius* identifies mismatched tire sizes; a potential cause of vehicle pulling and driver complaints

VERSATILE, ACCURATE HARDWARE

- High resolution cameras produce accurate, live alignment readings and diagnostic data
- Passive front and rear XD targets improve durability with no electronics to damage

PATENTED RIDE HEIGHT MEASUREMENT

- Measure ride height and obtain proper alignment specifications for those vehicles requiring it

TOUCHLESS AC400 WHEEL CLAMPING SYSTEM

- Only the tire is contacted
- Clutch limited clamping force ensures accurate and repeatable results
- Clamping is accomplished with a single fast-action adjustment knob

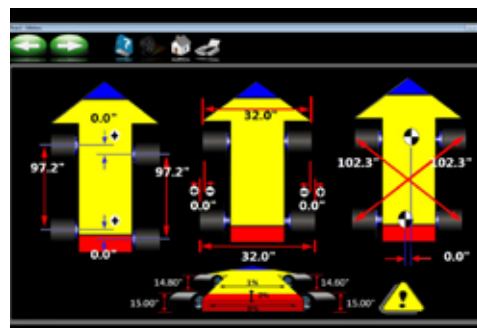
PATENTED EZ-TOE

- Turn the front wheels and access difficult adjustment points while still displaying centered toe readings

HELP VIDEOS

- View detailed videos of how to make needed adjustments to complete even the most complex tasks

* Patented and/or Patent Pending Features



Advanced Dimensioning



Patented EZ-Toe



Ride Height Measurement



Touchless AC400 Wheel Clamp



Easy to follow Help Videos

THE V2300 WHEEL ALIGNMENT SYSTEM. PRECISELY WHAT YOU NEED FOR THE MOST PRECISE READINGS.

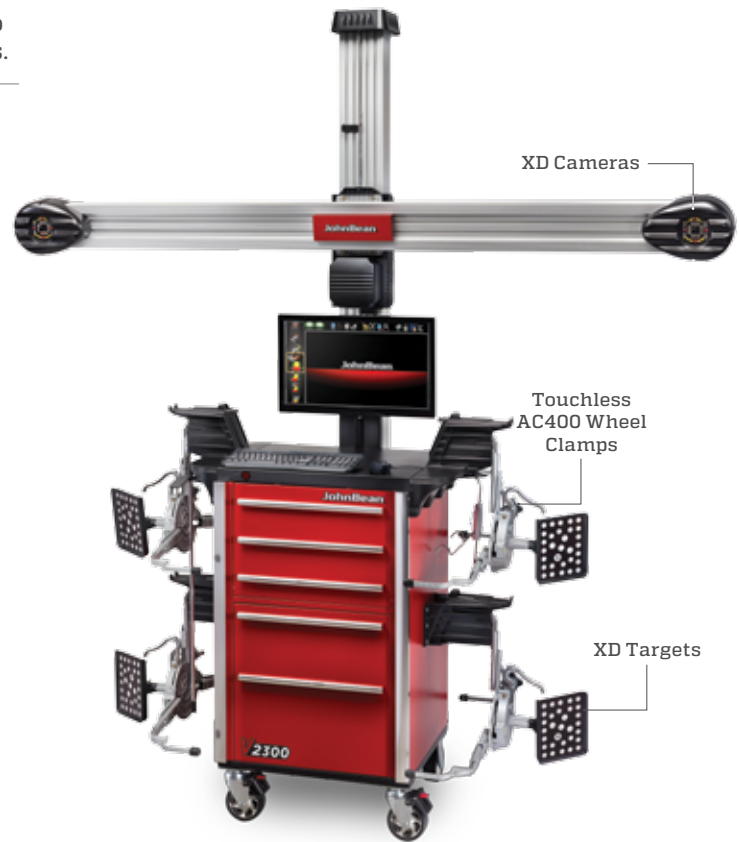
Our new, redesigned V2300 wheel alignment system features improved camera and target technology and the smallest and lightest XD target system we've ever offered. It also provides highly accurate and repeatable measurements, to help you get the job done quicker and eliminate comebacks.

CUTTING EDGE HARDWARE PROVIDES ACCURATE, ADVANCED DIMENSIONING.

The V2300's high resolution cameras produce accurate, live alignment readings and diagnostic data. It also utilizes passive front and rear XD targets that are highly durable, with no electronics to damage. Cross-diagonal measurements identify frame damage, while Rolling Radius detects mismatched tire sizes. And it provides all the benefits of our AC400 Touchless Alignment Wheel Clamp. But maybe best of all, the V2300 is so lightweight and simple to operate, you don't have to be a highly-skilled alignment tech to master it.

FEATURES

- John Bean AC400 Touchless Alignment Wheel Clamping System
- VODI™ Vehicle Orientation Directional Indicator Guides Users Through the Measurement Process
- Measures Camber, Caster, Toe, Rolling Radius, Cross-Diagonal, Wheelbase and Track Width
- EZ-Toe Lets You Turn the Front Wheels and Access Difficult Adjustment Points When Setting Toe



AVAILABLE MODELS

- V2300 with AC400 Wheel Clamps (EEWA545H)
- V2300 with AC400 Wheel Clamps & ETHOS+ (EEWA545HE)
- V2300 with AC200 Wheel Clamps (EEWA545G)
- V2300 with AC200 Wheel Clamps & ETHOS+ (EEWA545GE)

STANDARD ACCESSORIES

- Wheel Clamps and Targets
- Steering Wheel Holder
- Brake Pedal Depressor
- Color Inkjet Printer
- (2) Wheel Chocks

SPECIFICATIONS

- Tire Diameter: 19"-39" (48.3cm-99.1cm)
- Track Width: 48"-96" (112cm-244cm)
- Wheel base: 79"-180" (201cm-457cm)
- Shipping weight: 300 lbs (136kg)
- Power requirements: 100-240V 1 Ph 50/60HZ UL201, C22.2, CE Approved

For more information regarding the **V2300** call **800.362.4618 (US)** or **800.362.4608 (Canada)**
www.johnbean.com / www.johnbean.ca

John Bean is committed to product innovation and improvement. Therefore, specifications listed in this sell sheet may change without notice. ©2016 Snap-on Incorporated. John Bean is a trademark, registered in the United States and other countries, of Snap-on Incorporated. All rights reserved. All other marks are marks of their respective holders.

09/16 SS133378F

JohnBean