

MULTILIFT FRAME STRAIGHTENING RACK



MULTILIFT

MULTILIFT TECHNICAL SPECIFICATIONS

The MultiLift is a powerful 10 ton 360 degree, versatile workstation that allows one to work as close to the vehicle as possible. Technicians value being able to place the work at a height they are most comfortable with. Shop managers love it that when not in use it can be stored in a pit, to open up the bay for multi uses.



Fast and Easy Vehicle Setup



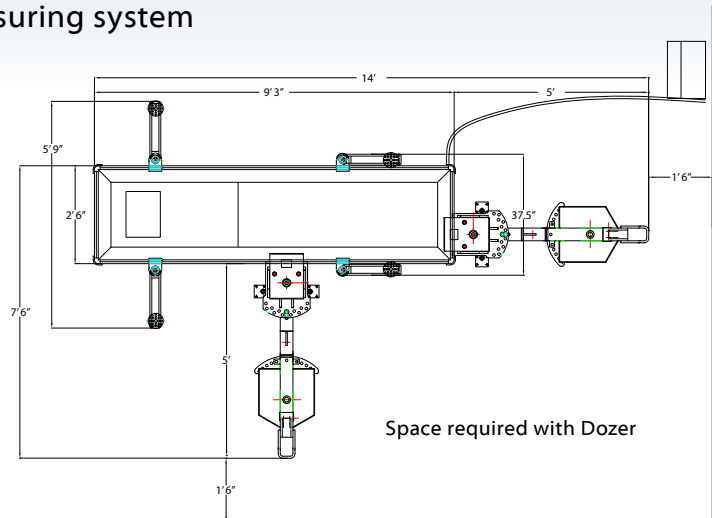
Optional KJPLT14 Vector Pulling Arm

MULTI LIFT FEATURES

- Compact and robust lift, great lifting height
- Compatible with electronic or mechanical measuring system
- Great pulling force, Dozer with 10T ram
- Max lifting height on table: 67" (1,700 mm)
- Max lifting height on clamps: 83" (2,100 mm)
- Optimal force of scissor lifting
- Lifting capacity: 5,500 lbs (2,5T)

OPTIONAL ACCESSORIES

- Pit Frame for In-Floor Installation (KJPL10PF)
- Cover Plate (KJPL100 CP)
- Ramps for Vehicles with Low Ground Clearance (KJPL104)



TECHNICAL SPECIFICATIONS

- | | |
|---|--|
| • Part Number: | KJPL10CUS |
| • Electric Pump: | 220V 1Ph 60Hz |
| • Maximum Lifting Height of Table: | 67" (1,700 mm) |
| • Maximum Height of Anchored Vehicle's Underbody: | 83" (2,100 mm) |
| • Minimum Thickness of Frame: | 4.5" (115 mm) |
| • Maximum Pulling Combinations: | 1 Dozer (KJPLT12US, 1 Vector (KJPLT14US) |
| • Lifting Capacity: | 5,512 lbs (2,500 kg) |
| • Total Weight: | 2,866 lbs (1,300 kg) |