

# WHEEL ALIGNMENT SYSTEMS



## HEAVY-DUTY WHEEL ALIGNMENT WITH **SPEED & PRECISION.**

Fast, accurate and comprehensive measurement.

INTRODUCING THE **V6200** HEAVY-DUTY  
TRUCK ALIGNER

**JohnBean**

# THE V6200 HEAVY-DUTY WHEEL FAST, ACCURATE AND COM

## SIMPLE AND COMPLETE

3 AXLE VEHICLE .....	4 MIN
4 AXLE VEHICLE .....	5 MIN
TRUCK & TRAILER .....	9 MIN



# EL ALIGNER. MPREHENSIVE.

## MAXIMIZE ECONOMY WITH MINIMAL EFFORT USING COMPREHENSIVE REPAIR TOOLS.

With the John Bean® V6200, checking wheel alignment on heavy-duty vehicles is faster and easier than ever before. Support for a wide range of vehicles, the V6200 wheel alignment system can perform alignments on medium duty trucks to mobile cranes.

Get large wheel alignment jobs done faster with the intuitive features and technologies of the V6200:

- In under four minutes, a single operator can measure a vehicle. Cut that time in half by simultaneously measuring the left and right side of the vehicle with a second operator.
- Increase your revenue or support fleet maintenance with fast drive-thru alignment checks
- The area used to perform wheel alignments remains fully available for other tasks when there is no alignment in process

Performing wheel alignments on heavy-duty vehicles has never been so easy:

- Mount the targets to the floor or the wall for a faster, easier set up time. The only devices left to be mounted on the vehicle are the wheel clamps and the corresponding measuring heads.
- Light-weight, all aluminum wheel clamps are easily mounted to a wide range of wheels, supporting inside and outside clamping.
- Easy repair with real-time adjustments and user-friendly interface.

## THE V6200 CAN MEASURE ALL TYPES OF VEHICLES

- ✓ **Medium & Heavy-Duty Trucks**
- ✓ **Busses**
- ✓ **Articulated busses**
- ✓ **Trailers**
- ✓ **Semi-trailers**
- ✓ **Transporter vehicles**
- ✓ **Complete carriages (truck + semi-trailer)**



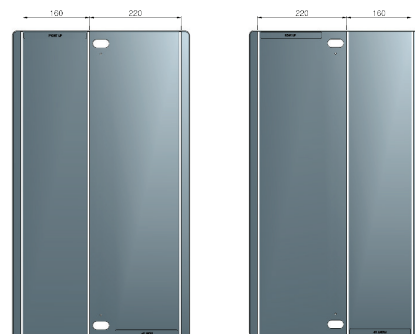
Measuring of articulated bus



Measuring of smaller transporter vehicle



Wide range of vehicles supported

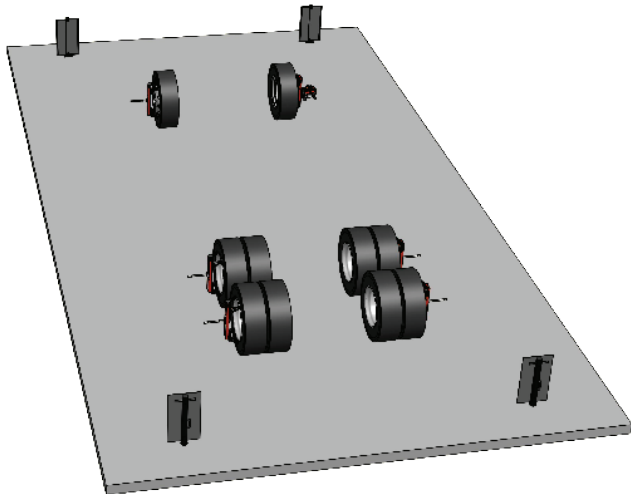


Front and rear targets

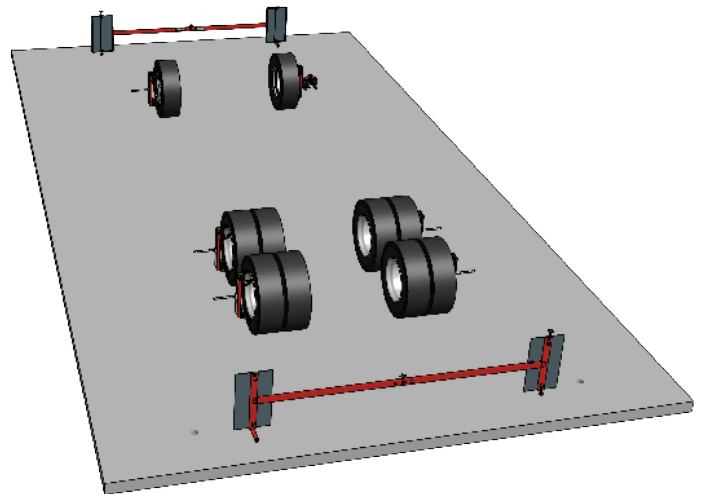


Wheel alignment measuring head

# FLOOR MOUNTED OR MOBILE TARGET SCALES – YOU DECIDE!



EEWA529A



EEWA529B

## FOR PROFESSIONALS WITH HIGH-VOLUME AND DEDICATED SPACE

Clean configuration with permanent mounted targets for fast setup, tear down, and drive-thru capability.

## FOR LOW-VOLUME, MULTI-BAY OR MOBILE OPERATIONS

Mobile target scales can be moved to different locations and avoid drilling holes for permanent mount. Setup is fast and easy thanks to software guidelines.

Target scales can be mounted on a dedicated floor area with a surface up to 22 meters in length, and about 4 meters in width. In both alternatives the target scales can be removed so that the workshop floor can be used for other purposes.



## SPECIFICATIONS

- Wheel Size: 16" - 24" (406 - 607 mm)
- Number of Axels Supported: 10 (3 with included equipment)
- Shipping Weight: 730 lbs
- Power Requirements: 120/230V 1Ph 50/60Hz 15A

For more information regarding the **V6200**, call **800.362.4618 (US)** or **800.362.4608 (Canada)**  
[www.johnbean.com](http://www.johnbean.com)

# JohnBean®